

FL7703NI Data Sheet

TFT Mobile Single Chip Driver
For 720RGB x 2047 dot, a-Si TFT LCD, 16.7M color
With MIPI Interface

*Version 0.1 Preliminary
July 2021*



List of Contents

1. General Description 8

2. Features 9

3. Block Diagram 10

4. Pin Description 11

 4.1 Power Supply Pins 11

 4.2 Interface Logic Pins 11

 4.3 MIPI Interface Pins 11

 4.4 Driver Output Pins 12

 4.5 DC/DC Converter Pins 12

 4.6 CABC Control Pins 12

 4.7 Test Pins 13

 4.8 BOM 14

5. Function Description 15

 5.1 SPI Interface 15

 5.1.1 SPI Interface Write Mode 15

 5.1.2 SPI Interface Read Mode 16

 5.1.3 Break and Pause Sequences 17

 5.2 MIPI Interface 19

 5.2.1 DSI General Interface Communication 20

 5.2.2 DSI Packet Level Communication 31

 5.3 Inversion 44

 5.4 Gamma Function 46

 5.4.1 Gamma Characteristic Correction Function 47

 5.4.2 Gray Voltage Generator for Digital Gamma Correction 48

 5.5 Sleep Out - command and Self-diagnostic Functions of the display module 50

 5.5.1 Register Loading Detection 50

 5.5.2 Functionality Detection 51

 5.6 Power on/off Sequence 52

 5.6.1 Case 1: RESX line is held high or unstable by host at power on 53

 5.6.2 Case 2: RESX line is held low by host at power on 54

 5.7 Power Levels Definition 55

 5.8 Reset function 56

 5.8.1 Standard Command Default Value 56

 5.8.2 Input Pins 57

 5.8.3 Output or Bi-directional Pins 57

 5.9 OTP Sequence 58

 5.9.1 OTP Sequence 58

 5.9.2 OTP Standard Programming Table 59

 5.10 CABC 60

6. Command Description 62

 6.1 Command Table 62

 6.2 Command description 78

 6.2.1 NOP (00h) 78

 6.2.2 Software reset (01h) 79

 6.2.3 Read Display ID (04h) 80

 6.2.4 Read Display Power Mode (0Ah) 81

 6.2.5 Read Display MADCTR (0Bh) 82

 6.2.6 Read Display Pixel Format (0Ch) 83

 6.2.7 Read Display Image Mode (0Dh) 84

 6.2.8 Read Display Signal Mode (0Eh) 85

 6.2.9 Read Display Self-Diagnostic Result (0Fh) 86

 6.2.10 Sleep In (10h) 87

 6.2.11 Sleep Out (11h) 88



6.2.12	Normal Display Mode On (13h)	90
6.2.13	Display Inversion Off (20h)	91
6.2.14	Display Inversion On (21h)	92
6.2.15	All Pixel Off (22h)	93
6.2.16	All Pixel On (23h)	94
6.2.17	Display Off (28h)	95
6.2.18	Display On (29h)	96
6.2.19	Memory Access Control (36h)	97
6.2.20	Idle Mode Off (38h)	98
6.2.21	Idle Mode On (39h)	99
6.2.22	Write Display Brightness (51h)	101
6.2.23	Read Display Brightness (52h)	102
6.2.24	Write CTRL Display (53h)	103
6.2.25	Read CTRL Display Value (54h)	104
6.2.26	Write Content Adaptive Brightness Control (55h)	105
6.2.27	Read Content Adaptive Brightness Control (56h)	106
6.2.28	Write CABC Minimum Brightness (5Eh)	107
6.2.29	Read CABC minimum brightness (5Fh)	108
6.2.30	Read Black/White Low Bits (70h)	109
6.2.31	Read Bkx (71h)	110
6.2.32	Read Bky (72h)	111
6.2.33	Read Wx (73h)	112
6.2.34	Read Wy (74h)	113
6.2.35	Read Red/Green Low Bits (75h)	114
6.2.36	Read Rx (76h)	115
6.2.37	Read Ry (77h)	116
6.2.38	Read Gx (78h)	117
6.2.39	Read Gy (79h)	118
6.2.40	Read Blue/AColor Low Bits (7Ah)	119
6.2.41	Read Bx (7Bh)	120
6.2.42	Read By (7Ch)	121
6.2.43	Read Ax (7Dh)	122
6.2.44	Read Ay (7Eh)	123
6.2.45	Read DDB Start (A1h)	124
6.2.46	Read DDB Continue (A8h)	126
6.2.47	Read ID1 Value (DAh)	127
6.2.48	Read ID2 Value (DBh)	128
6.2.49	Read ID3 Value (DCh)	129
6.2.50	SETEXTC (B9h)	130
6.2.51	SETAPPLEID (B1h)	131
6.2.52	SETDISP (B2h)	132
6.2.53	SETRGBIF (B3h)	134
6.2.54	SETCYC (B4h)	135
6.2.55	SETBGP (B5h)	136
6.2.56	SETVCOM (B6h)	137
6.2.57	SETOTP (B7h)	140
6.2.58	SETPOWER_EXT (B8h)	142
6.2.59	SETMIPI (BAh)	145
6.2.60	SETVDC (BCh)	147
6.2.61	SETSCR (C0h)	148
6.2.62	SETPOWER (C1h)	150
6.2.63	SETID (C3h)	153
6.2.64	SETDDB (C4h)	153
6.2.65	SETECO (C6h)	154
6.2.66	SETIO (C7h)	154
6.2.67	SETCABC (C8h)	156
6.2.68	SETCLOCK (CBh)	157
6.2.69	SETPANEL (CCh)	158
6.2.70	DGC_R (CDh)	159



6.2.71	DGC_G (CEh).....	160
6.2.72	DGC_B (CFh).....	161
6.2.73	SETGAMMA (E0h).....	162
6.2.74	SETEQ (E3h).....	163
6.2.75	SETCOLOREN (E4h).....	165
6.2.76	SETCOLOREN (E5h).....	166
6.2.77	SETGIP1 (E9h).....	167
6.2.78	SETGIP2 (EAh).....	174
6.2.79	SETCOLOR (EBh).....	177
7.	Electrical Characteristics	178
7.1	Absolute maximum ratings.....	178
7.2	DC characteristics	179
7.2.1	Basic Characteristics	179
7.2.2	DSI DC Characteristics.....	181
7.3	AC characteristics	183
7.3.1	Serial Interface Characteristics.....	183
7.3.2	DSI Interface Timing Characteristics.....	184
7.3.3	Reset input timing.....	188
8.	Reference Application	189
8.1	Interface.....	189
8.2	Connections with Panel.....	190
8.3	DC/DC Converter	192
8.3.1	External Power IC Mode - FL1002.....	192
8.3.2	PFM Mode - Type C.....	193
8.3.3	Three-Power Mode.....	194
8.4	DSI Power On/Off Timing.....	195
8.4.1	Power On Timing of External Power IC.....	195
8.4.2	Power Off Timing of External Power IC.....	196
8.4.3	Power On Timing of 3-Power Mode.....	197
8.4.4	Power Off Timing of 3-Power Mode.....	198
8.5	Maximum Layout Resistance	199



List of Figures

Figure 5-1: DBI Type C interface Option 1 write mode 15

Figure 5-2: DBI Type C interface Option 1 read mode 16

Figure 5-3: Driver IC data transfer recovery 17

Figure 5-4: Break during parameter 17

Figure 5-5: Driver IC data transfer pause 18

Figure 5-6: DSI Clock Lane State Diagram 20

Figure 5-7: From ULPM to LPM 21

Figure 5-8: From High Speed Clock mode to LPM 21

Figure 5-9: From LPM mode to ULPM 21

Figure 5-10: From LPM mode to HSCM 22

Figure 5-11: Switching the Clock Lane between HSCM and LPM 22

Figure 5-12: DSI Data Lane D0 State Diagram 23

Figure 5-13: DSI Data Lane D0 general escape mode sequence 23

Figure 5-14: DSI Data Lane D0 LPDT sequence 24

Figure 5-15: DSI Data Lane D0 ULPS sequence 25

Figure 5-16: DSI Data Lane D0 RAR sequence 26

Figure 5-17: DSI Data Lane D0 TEE sequence 27

Figure 5-18: DSI Data Lane D0 ACK sequence 28

Figure 5-19: DSI Data Lane Entering High Speed Data Transmission 29

Figure 5-20: DSI Data Lane Entering High Speed Data Transmission 29

Figure 5-21: DSI Bus Turn Around Procedure 30

Figure 5-22: DSI multiple HS transmission packets 31

Figure 5-23: Structure of the short packet 32

Figure 5-24: Structure of the long packet 32

Figure 5-25: Format of data ID 33

Figure 5-26: 16-bit RGB Color Format, Long packet 38

Figure 5-27: Source channels of ZigZag inversion mode 45

Figure 5-28: Gamma adjustments different of source driver with digital gamma correction 46

Figure 5-29: Block diagram of digital gamma correction 48

Figure 5-30: Sleep out flow chart—command and self-diagnostic functions 50

Figure 5-31: Sleep out flow chart internal function detection 51

Figure 5-32: The power supply ON/OFF setting for Display ON/OFF and Sleep In/out 52

Figure 5-33: Case 1: RESX line is held high or unstable by host at power on 53

Figure 5-34: Case 2: RESX line is held low by host at power on 54

Figure 5-35: Power flow chart for different power modes 55

Figure 5-36: Two kinds of CABC Architecture 60

Figure 7-1: Input glitch rejections of low-power receivers 181

Figure 7-2: Differential voltage range and Command mode voltage 182

Figure 7-3: Serial Interface Characteristics 183

Figure 7-4: DSI clock timing Characteristics 184

Figure 7-5: Rising and falling time on clock and data channel 184

Figure 7-6: BTA from HOST to Display Module Timing 185

Figure 7-7: BTA from Display Module Timing to HOST 185

Figure 7-8: Reset input timing 188

Figure 8-1: Interfacing for MIPI by Setting Lane [1:0]="11" 189

Figure 8-2: Source Pin Connection for Panel 190

Figure 8-3: Using External Power IC Application 192

Figure 8-4: Using PFM - Type C Application 193

Figure 8-5: Using Three Power Mode Application 194

Figure 8-6: DSI Power On Sequence of Power IC Mode 195

Figure 8-7: DSI Power Off Sequence of Power IC Mode 196

Figure 8-8: DSI Power On Sequence of 3 Power Mode 197

Figure 8-9: DSI Power Off Sequence of 3 Power Mode 198



List of Tables

Table 4-1: BOM of Power IC Mode	14
Table 4-2: BOM of 3 Power Mode	14
Table 5-1: DBI TYPE-C Serial Interface Selection Table.....	15
Table 5-2: MIPI Interface Configuration.....	19
Table 5-3: Lane State Description	20
Table 5-4: Data Lane D0 Operation Modes.....	23
Table 5-5: Escape Mode Commands	24
Table 5-6: Data Types from Host to the Driver IC	34
Table 5-7: Data Types from the Driver IC to Host	34
Table 5-8: Standard Command Default Value	56
Table 5-9: Characteristics of Input Pins.....	57
Table 5-10: Characteristics of Output or Bi-direction Pins	57
Table 7-1: Absolute Maximum Ratings	178
Table 7-2: Serial Interface Characteristics	183
Table 7-3: DSI High Speed Mode Characteristics	184
Table 7-4: DSI Low Power Mode Characteristics	185
Table 7-5: DSI Low Power Mode to High Speed Mode Timing.....	186
Table 7-6: DSI Low Power Mode to High Speed Mode Timing.....	186
Table 7-7: Clock Lanes High Speed Mode to/from Low Power Mode Timing.....	187
Table 7-8: Reset Input Timing	188
Table 8-1: DSI Power On Timing of Power IC Mode	195
Table 8-2: DSI Power Off Timing of Power IC Mode	196
Table 8-3: DSI Power On Timing of 3 Power Mode	197
Table 8-4: DSI Power Off Timing of 3 Power Mode.....	198
Table 8-5: Maximum Layout Resistance	199

FORCELEAD Confidential
Do Not Copy



Revision History

Version	Date	Description of Changes
0.1	2021/07	1. New setup

FORCELEAD Confidential
Do Not Copy



1. General Description

The FL7703NI is a single-chip solution for a-Si TFT LCD that combines a source driver, power supply circuit to drive a-Si TFT dot matrix LCD with 720RGBx2047 dots at maximum. The FL7703NI supports MIPI Interface.

The FL7703NI incorporates step-up and voltage follower circuits to generate drive voltage required for a-Si TFT and gate in panel (GIP) which including a dynamic backlight control function to control backlight brightness depending on image data, reducing power consumption at the backlight with the slightest influence on image quality.

The FL7703NI is suitable for small or medium-sized portable mobile solutions requiring long-term driving capabilities, such as digital mobile phones, PDAs and Smartphones.

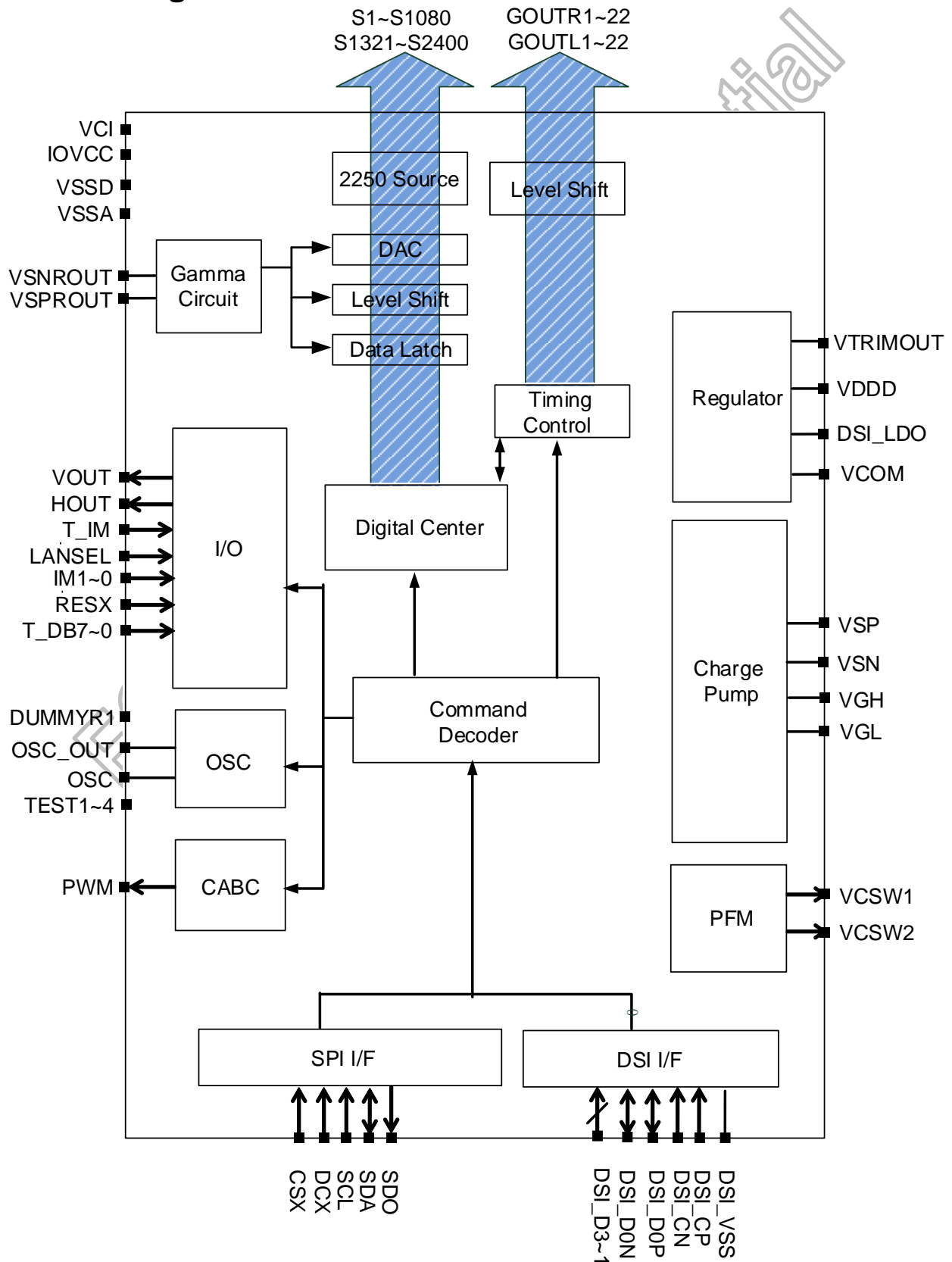
FORCELEAD Confidential
Do Not Copy



2. Features

- Single chip solution for a HD720 GIP (Gate In Panel) type TFT LCD display
- Display Resolution:
 - 720RGB x (4xNL + RES_V_LSB)
 - 640RGB x (4xNL + RES_V_LSB)
 - 600RGB x (4xNL + RES_V_LSB)
 - 540RGB x (4xNL + RES_V_LSB)
 - 440RGB x (4xNL + RES_V_LSB)
 - 400RGB x (4xNL + RES_V_LSB)
 - 480RGB x (4xNL + RES_V_LSB)
- Display Color Modes:
 - Full color mode: 16.7M colors
 - Reduce color mode: 262k colors
 - Reduce color mode: 65k colors
 - Idle mode: 8 colors
- Display Interface:
 - MIPI Display Serial Interface (DSI V1.01)
- On chip:
 - VGH/VGL for GIP gate control
 - 1-dot / 1+2-dot / 2-dot / 3-dot / 4-dot / 8-dot / column / Zig-Zag inversion
 - Gamma correction function
 - Oscillator for display clock generation
 - Internal OTP programming voltage generator
 - 4 times MTP for VCOM setting, ID setting
 - CAB (Content Adaptive Brightness Control) function
 - DGC (Digital Gamma Correction) function
 - Color Enhancement function
- Input power:
 - External power IC and PFM:
 - I/O and interface power supply (IOVCC): 1.65V to 3.3V
 - Analog power supply (VCI): 2.5V to 3.3V
 - Three-Power Mode:
 - I/O and interface power supply (IOVCC): 1.65V to 3.3V
 - Analog power supply (VSP): 4.5V to 6.2V
 - Analog power supply (VSN): -4.5V to -6.2V
- Output voltage:
 - Positive source output voltage level: VSPR=3.3V to 5.6V
 - Negative source output voltage level: VSNR=-5.6V to -3.3V
 - Positive gate driver output voltage level: VGH=+10V to +20V
 - Negative gate driver output voltage level: VGL=-7.5V to -15V
 - VCOM=-3.5V to 0V

3. Block Diagram



4. Pin Description

4.1 Power Supply Pins

Symbol	Name	Description	Connection when not used
IOVCC	I/O Power	Power supply for logic circuit.	-
VCI	Analog Power	Power supply for analog circuit.	-
VSSA	Analog GND	System ground for analog system.	-
VSSD	I/O GND	System ground for logic circuit.	-
DSI_VSS	MIPI GND	DSI interface analog ground.	-

4.2 Interface Logic Pins

Symbol	I/O	Description	Connection when not used																																																																								
IM1~0 LANSEL	I	Interface mode select pins. IM1~IM0 and LANSEL are used for the combination of polarity swap and data lane swap of DSI.	GND																																																																								
		<table border="1"> <thead> <tr> <th>IM1</th> <th>IM0</th> <th>LANSEL</th> <th>D0P/N</th> <th>D1P/N</th> <th>CP/N</th> <th>D2P/N</th> <th>D3P/N</th> </tr> </thead> <tbody> <tr> <td>0</td> <td>0</td> <td>0</td> <td>D3P/N</td> <td>D2P/N</td> <td>CP/N</td> <td>D1P/N</td> <td>D0P/N</td> </tr> <tr> <td>0</td> <td>1</td> <td>0</td> <td>D3N/P</td> <td>D2N/P</td> <td>CN/P</td> <td>D1N/P</td> <td>D0N/P</td> </tr> <tr> <td>1</td> <td>0</td> <td>0</td> <td>D0P/N</td> <td>D1P/N</td> <td>CP/N</td> <td>D2P/N</td> <td>D3P/N</td> </tr> <tr> <td>1</td> <td>1</td> <td>0</td> <td>D0N/P</td> <td>D1N/P</td> <td>CN/P</td> <td>D2N/P</td> <td>D3N/P</td> </tr> <tr> <td>0</td> <td>0</td> <td>1</td> <td>D2P/N</td> <td>D1P/N</td> <td>CP/N</td> <td>D0P/N</td> <td>D3P/N</td> </tr> <tr> <td>0</td> <td>1</td> <td>1</td> <td>D2N/P</td> <td>D1N/P</td> <td>CN/P</td> <td>D0N/P</td> <td>D3N/P</td> </tr> <tr> <td>1</td> <td>0</td> <td>1</td> <td>D3P/N</td> <td>D0P/N</td> <td>CP/N</td> <td>D1P/N</td> <td>D2P/N</td> </tr> <tr> <td>1</td> <td>1</td> <td>1</td> <td>D3N/P</td> <td>D0N/P</td> <td>CN/P</td> <td>D1N/P</td> <td>D2N/P</td> </tr> </tbody> </table>		IM1	IM0	LANSEL	D0P/N	D1P/N	CP/N	D2P/N	D3P/N	0	0	0	D3P/N	D2P/N	CP/N	D1P/N	D0P/N	0	1	0	D3N/P	D2N/P	CN/P	D1N/P	D0N/P	1	0	0	D0P/N	D1P/N	CP/N	D2P/N	D3P/N	1	1	0	D0N/P	D1N/P	CN/P	D2N/P	D3N/P	0	0	1	D2P/N	D1P/N	CP/N	D0P/N	D3P/N	0	1	1	D2N/P	D1N/P	CN/P	D0N/P	D3N/P	1	0	1	D3P/N	D0P/N	CP/N	D1P/N	D2P/N	1	1	1	D3N/P	D0N/P	CN/P	D1N/P	D2N/P
		IM1		IM0	LANSEL	D0P/N	D1P/N	CP/N	D2P/N	D3P/N																																																																	
		0		0	0	D3P/N	D2P/N	CP/N	D1P/N	D0P/N																																																																	
		0		1	0	D3N/P	D2N/P	CN/P	D1N/P	D0N/P																																																																	
		1		0	0	D0P/N	D1P/N	CP/N	D2P/N	D3P/N																																																																	
		1		1	0	D0N/P	D1N/P	CN/P	D2N/P	D3N/P																																																																	
		0		0	1	D2P/N	D1P/N	CP/N	D0P/N	D3P/N																																																																	
		0		1	1	D2N/P	D1N/P	CN/P	D0N/P	D3N/P																																																																	
1	0	1	D3P/N	D0P/N	CP/N	D1P/N	D2P/N																																																																				
1	1	1	D3N/P	D0N/P	CN/P	D1N/P	D2N/P																																																																				
RESX	I	Reset pin. This signal will reset the device and must be applied to properly initialize the chip.	-																																																																								
VOUT	O	Frame synchronization output signal pin.	OPEN																																																																								
HOUT	O	Scan line synchronization output signal pin.	OPEN																																																																								

Note: "1" = IOVCC Level, "0" = VSSD Level.

4.3 MIPI Interface Pins

Symbol	I/O	Description	Connection when not used
DSI_D0P, DSI_D0P	I/O	High speed interface data differential signal input/output pins.	OPEN/GND
DSI_CP, DSI_CN	I	High speed interface clock differential signal input pins.	OPEN/GND
DSI_D3P~1P, DSI_D3N~1N	I	High speed interface data differential signal input pins.	OPEN/GND



4.4 Driver Output Pins

Symbol	I/O	Description	Connection when not used	
S1 to S1125 S1276 to S2400	O	Pixel electrode driving output	Open	
		Display Resolution		Used Source Pins
		720RGB		S1~S1080 and S1321~S2400
		640RGB		S1~S960 and S1441~S2400
		600RGB		S1~S900 and S1501~S2400
		540RGB		S1~S810 and S1591~S2400
		440RGB		S1~S660 and S1741~S2400
CGOUTL_1~22 CGOUTR_1~22	O	Gate control signals for panel.	Open	
VCOM	O	Regulator output for common voltage of panel	-	

4.5 DC/DC Converter Pins

Symbol	I/O	Description	Connection when not used
VSP	I	Input voltage from the set-up circuit.	-
VSN	I	Input voltage from the set-up circuit.	-
VGH	O	Output voltage from the step-up circuit.	-
VGL	O	Output voltage from the step-up circuit.	-
DSI_LDO	O	High speed interface regulator output pin.	Open
VSPROUT	O	Output voltage generated from VSP. Output for positive gamma voltage generator.	-
VSNROUT	O	Output voltage generated from VSN. Output for negative gamma voltage generator.	-
VDDD	O	Reference voltage for internal logic.	-
VTRIMOUT	O	Reference voltage for internal voltage generating circuit.	-
VCSW1	O	PFM and Power IC control output for DC/DC converter to generate VSP.	-
VCSW2	O	PFM and Power IC control output for DC/DC converter to generate VSN.	-

4.6 CABC Control Pins

Symbol	I/O	Description	Connection when not used
PWM	O	This pin is connecting with the external LED driver.	Open



4.7 Test Pins

Symbol	I/O	Description	Connection when not used
OSC	I	Oscillator test pin	Open
CSX	I	Chip select input pin ("Low" enable) in RGB I/F test mode.	OPEN
DCX	I	Command/parameter selection in RGB I/F test mode. Low: Select command. High: Select data.	IOVCC/GND/ OPEN
SCL	I	A synchronous clock signals in RGB I/F test mode.	IOVCC/GND/ OPEN
SDA	I/O	Serial data input/output pin in RGB I/F test mode.	IOVCC/GND/ OPEN
SDO	O	A serial data output pin in RGB I/F test mode.	OPEN
T_DB7~0	I	8-bit input data bus in RGB I/F test mode.	IOVCC/GND/ OPEN
T_IM	I	Let driver IC into RGB I/F test mode if set T_IM= high.	Open
OSC_OUT	O	Test pin.	Open
NVDDDOUT	O	Test pin.	Open
NVTRIMOUT	O	Test pin.	Open
VREFOUT	O	Test pin.	Open
NVREFOUT	O	Test pin.	Open
VTESTOUTP	O	Test pin.	Open
VTESTOUTN	O	Test pin.	Open
DUMMYR1	-	Test pin for bonding quality test. They are short-circuited within the chip.	IOVCC/GND/ OPEN
DUMMY406~1	-	Not used.	IOVCC/GND/ OPEN
DUMMY_PM0 DUMMY_PM1	-	No use.	IOVCC/GND/ OPEN
DUMMY_RS0 DUMMY_RS1	-	No use.	IOVCC/GND/ OPEN
DUMMY_TEMP	-	No use.	IOVCC/GND/ OPEN

Note: "1" = IOVCC Level, "0" = VSSD Level.

Note: "X" = Don't care.



4.8 BOM

Power IC Mode

NO.	IC Pin Name	Capacitance (uF)	Permissible Voltage (V)	Note
1	VCI	-	-	Don't need Capacitance
2	IOVCC	-	-	Don't need Capacitance
3	VSP	2.2	10	Don't need Capacitance
4	VSN	2.2	10	Don't need Capacitance
5	VGH	-	-	Don't need Capacitance
6	VGL	-	-	Don't need Capacitance
7	VSPROUT	-	-	Don't need Capacitance
8	VSNROUT	-	-	Don't need Capacitance
9	VTRIMOUT	-	-	Don't need Capacitance
10	VDDD	-	-	Don't need Capacitance
11	DSI_LDO	-	-	Don't need Capacitance
12	VCOM	-	-	Don't need Capacitance

Table 4-1: BOM of Power IC Mode

3 Power Mode

NO.	IC Pin Name	Capacitance (uF)	Permissible Voltage (V)	Note
1	VCI	-	-	Don't need Capacitance
2	IOVCC	-	-	Don't need Capacitance
3	VSP	-	-	Don't need Capacitance
4	VSN	-	-	Don't need Capacitance
5	VGH	-	-	Don't need Capacitance
6	VGL	-	-	Don't need Capacitance
7	VSPROUT	-	-	Don't need Capacitance
8	VSNROUT	-	-	Don't need Capacitance
9	VTRIMOUT	-	-	Don't need Capacitance
10	VDDD	-	-	Don't need Capacitance
11	DSI_LDO	-	-	Don't need Capacitance
12	VCOM	-	-	Don't need Capacitance

Table 4-2: BOM of 3 Power Mode



5. Function Description

5.1 SPI Interface

The selection of serial interface is by T_IM. FL7703NI can support DPI/DBI type-C Option 1.

T_IM	Interface mode
0	MIPI Interface
1	DPI/DBI type-C Option 1 (9-bit SPI)

Table 5-1: DBI TYPE-C Serial Interface Selection Table

The serial interface is used to communication between the MPU and the LCD driver chip. It contains CSX (chip select), SCL (serial clock), SDA (serial data input/output). Serial clock (SCL) can be stopped when no communication is necessary.

5.1.1 SPI Interface Write Mode

In SPI I/F Write Mode, the serial data packet contains a control bit DCX and a transmission byte. If DCX is low, the transmission byte is command byte. If DCX is high, the transmission byte is stored in to command register. The MSB is transmitted first. The serial interface is initialized when CSX is high. In this state, SCL clock pulse or serial input/output data (SDA/SDO) have no effect. A falling edge on CSX enables the serial interface and indicates the start of data transmission.

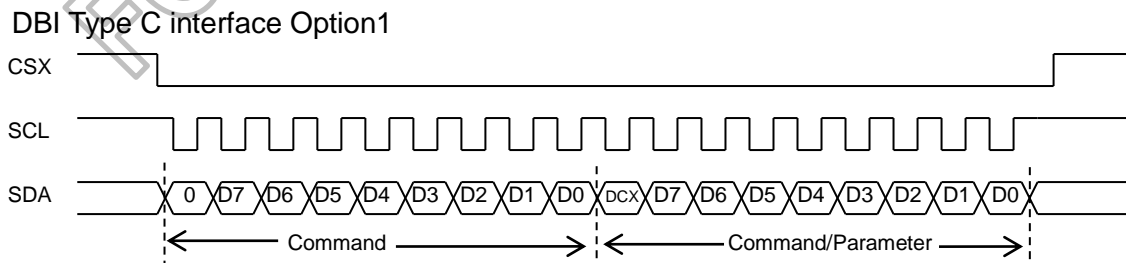


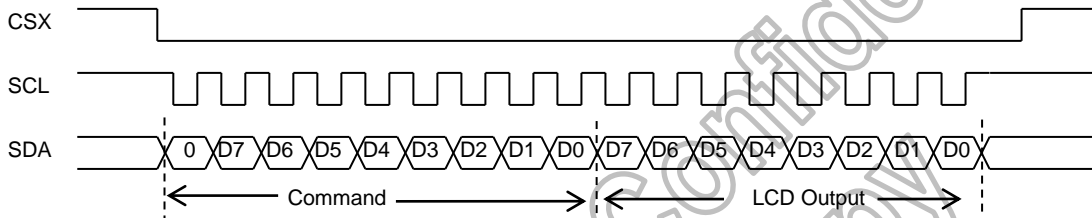
Figure 5-1: DBI Type C interface Option 1 write mode



5.1.2 SPI Interface Read Mode

In SPI I/F Read Mode, the host controller first has to send a command and then the following byte is transmitted to host controller in the SDA. The read mode has two type : one is command data 8-bits read and one is over 8-bits read.

DBI Type C interface Option1: Read 8bits



DBI Type C interface Option1: Read Over 8bits

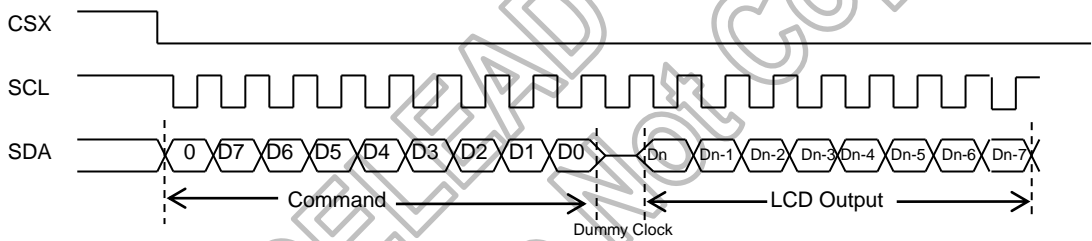


Figure 5-2: DBI Type C interface Option 1 read mode



5.1.3 Break and Pause Sequences

If there is a break on data transmission when transmit a command before a whole byte has been completed, then the driver IC will have reset the interface such that it will be ready to receive the same byte re-transmitted when the chip select line (CSX) is next activated. See the following figure.

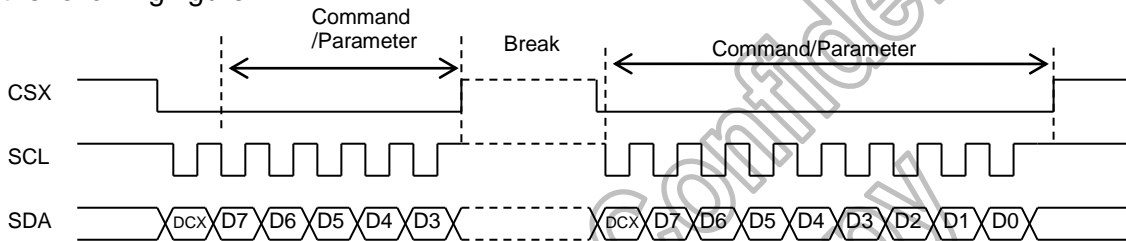


Figure 5-3: Driver IC data transfer recovery

If a one or more parameter command is being sent and a break occurs while sending any parameter before the last one and if the host then sends a new command rather than retransmitting the parameter that was interrupted, then the parameters that were successfully sent are stored and the parameter where the break occurred is rejected. The interface is ready to receive next byte as shown:

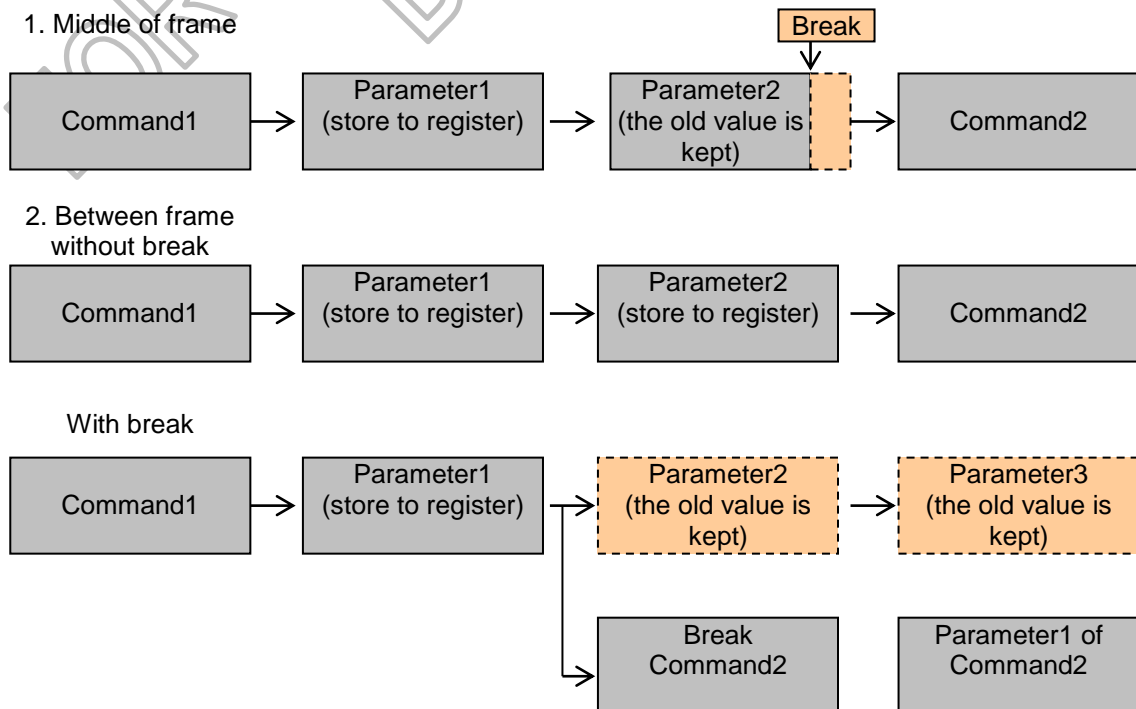


Figure 5-4: Break during parameter



The host processor can pause a write sequence by pulling the CSX signal high between command or data bytes. The driver IC shall wait for the host processor to drive CSX low before continuing the write sequence at the point where the sequence was paused.

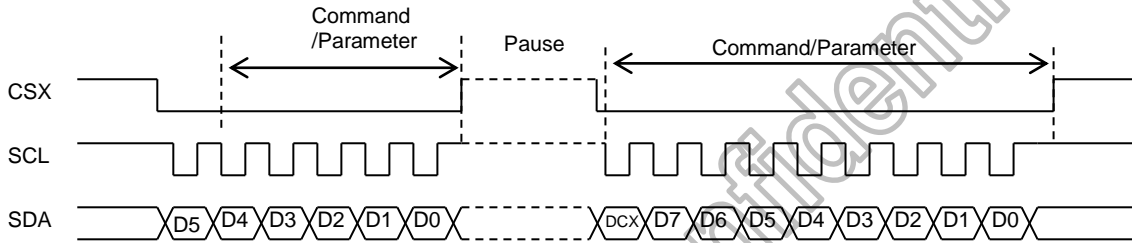


Figure 5-5: Driver IC data transfer pause

There are 4 cases where there is possible to see this kind of pause:

- 1. Command – Pause – Command
- 2. Command – Pause – Parameter
- 3. Parameter – Pause – Command
- 4. Parameter – Pause – Parameter



5.2 MIPI Interface

The Display Serial Interface standard defines protocols between a host processor and peripheral devices that adhere to MIPI Alliance standards for mobile device interfaces. The DSI standard builds on existing standards by adopting pixel formats and command set defined in MIPI Alliance standards.

DSI-compliant peripherals support either of two basic modes of operation: Command Mode and Video Mode. Which mode is used depends on the architecture and capabilities of the peripheral. The FL7703NI only support Video mode.

Video Mode refers to operation in which transfers from the host processor to the peripheral take the form of a real-time pixel stream. In normal operation, the driver IC relies on the host processor to provide image data at sufficient bandwidth to avoid flicker or other visible artifacts in the displayed image. Video information should only be transmitted using High Speed Mode.

Lane Pair	HOST(Master)/ Driver IC(Slave)
Clock Lane	- Unidirectional Lane - Clock Only - Escape mode (ULPS only)
Data Lane 0	- Bi-directional Lane - Forward High Speed - Bi-directional Escape Mode - Bi-directional LPDT
Data Lane 1 Data Lane 2 Data Lane 3	- Unidirectional Lane - Forward High Speed - Escape mode (ULPS only) - NO LPDT

Table 5-2: MIPI Interface Configuration



5.2.1 DSI General Interface Communication

The driver IC uses data and clock lane differential pairs for DSI. Both differential lane pairs can be driven Low Power (LP) or High Speed (HS) mode. Low Power mode means that each line of the differential pair is used in single end mode and a differential receiver is disable (A termination resistor of the receiver is disable) and it can be driven into a low power mode.

High Speed mode means that differential pairs (The termination resistor of the receiver is enable) are not used in the single end mode. There are used different modes and protocol in each mode when there is wanted to transfer information from the HOST to the driver IC and vice versa.

State code	Line voltage Levels		High speed	Low power	
	DP	DN		Control mode	Escape mode
HS-0	HS Low	HS High	Differential-0	Note 1	Note 1
HS-1	HS High	HS Low	Differential-1	Note 1	Note 1
LP-00	LP Low	LP Low	N/A	Bridge	Space
LP-01	LP Low	LP High	N/A	HS-Rqst	Mark-0
LP-10	LP High	LP Low	N/A	LP-Rqst	Mark-1
LP-11	LP High	LP High	N/A	Stop	Note 2

Note 1 : During high-speed transmission, the low power receivers observe LP-00 on the lines.
Note 2 :If LP-11 occurs during Escape mode, the lane returns to Stop state (Control mode LP-11)

Table 5-3: Lane State Description

5.2.1.1 DSI Clock Lane

The principle flow chart of the different clock lanes power modes is illustrated below.

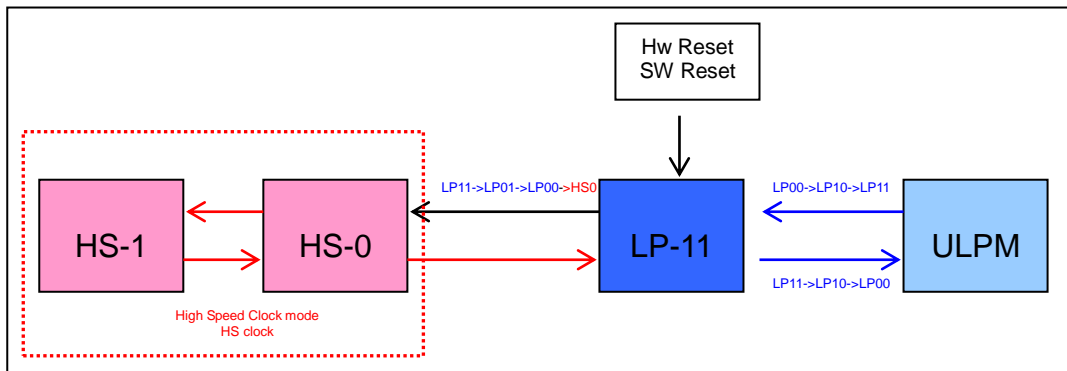


Figure 5-6: DSI Clock Lane State Diagram



LK+/- lanes can be driven to the Low Power Mode (LPM), when DSI-CLK lanes are entering LP-11:

1. After SW Reset, HW Reset or Power On Sequence =>LP-11
2. After DSI-CLK+/- lanes are leaving Ultra Low Power Mode (ULPM, LP-00) =>LP-10 =>LP-11 (LPM). This sequence is illustrated below.

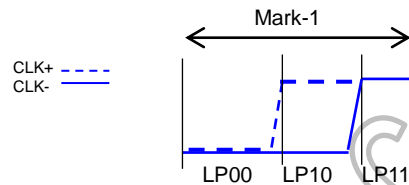


Figure 5-7: From ULPM to LPM

3. After DSI-CLK+/- lanes are leaving High Speed Clock Mode (HSCM, HS-0 or HS-1 State Code) =>HS-0 =>LP-11 (LPM). This sequence and all three mode changes are illustrated below.

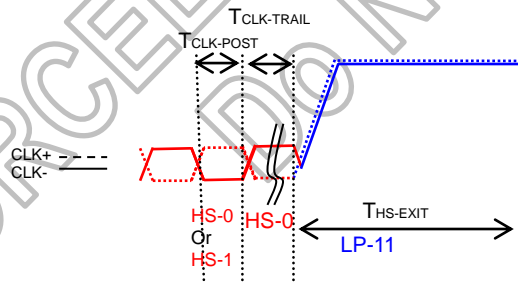


Figure 5-8: From High Speed Clock mode to LPM

Ultra Low Power Mode (LP-00: ULPM)

DSI-CLK+/- lanes can be driven to the Ultra Low power Mode (ULPM), when DSI-CLK lanes are entering LP-00 State. The entering way is from the Low Power Mode (LPM, LP-11 State) =>LP-10 =>LP-00 (ULPM). This sequence is illustrated below.

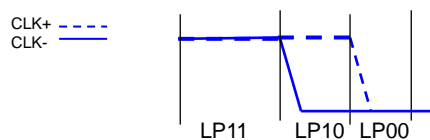


Figure 5-9: From LPM mode to ULPM



High Speed Clock Mode (HSCM)

DSI-CLK+/- lanes can be driven to the High Speed Clock Mode (HSCM), when DSI-CLK lanes are starting to work between HS-0 and HS-1 State. The entering way is from the Low Power Mode (LPM, LP-11 State) =>LP-01 =>LP-00 =>HS-0 =>HS-0/1 (HSCM). This sequence is illustrated below.

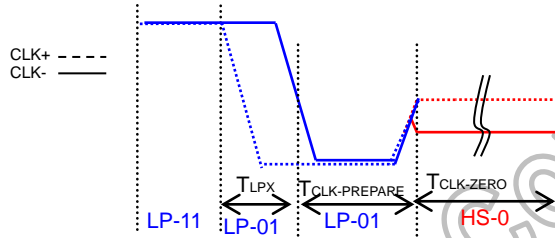


Figure 5-10: From LPM mode to HSCM

High Speed Clock Burst

The high speed clock (DSI-CLK+/-) is started before high speed data is sent via DSI-Dn+/- lanes. The high speed clock continues clocking after the high speed data sending has been stopped.

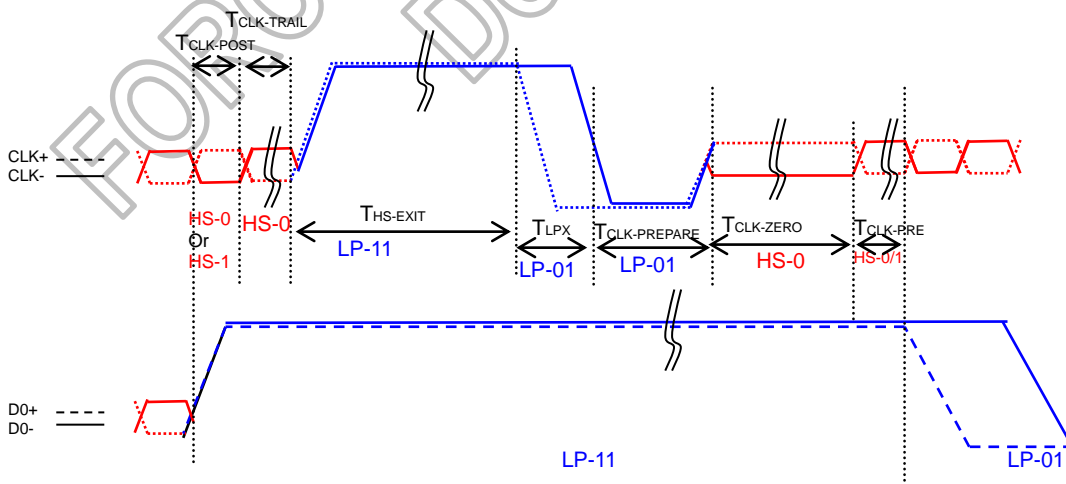


Figure 5-11: Switching the Clock Lane between HSCM and LPM



5.2.1.2 DSI-D0 Data Lane

DSI-D0+/- Data Lanes can be driven in different modes which are: Escape Mode, High-Speed Data Transmission and Bus Turnaround Request. The flow chart of the D0 data lanes is illustrated below.

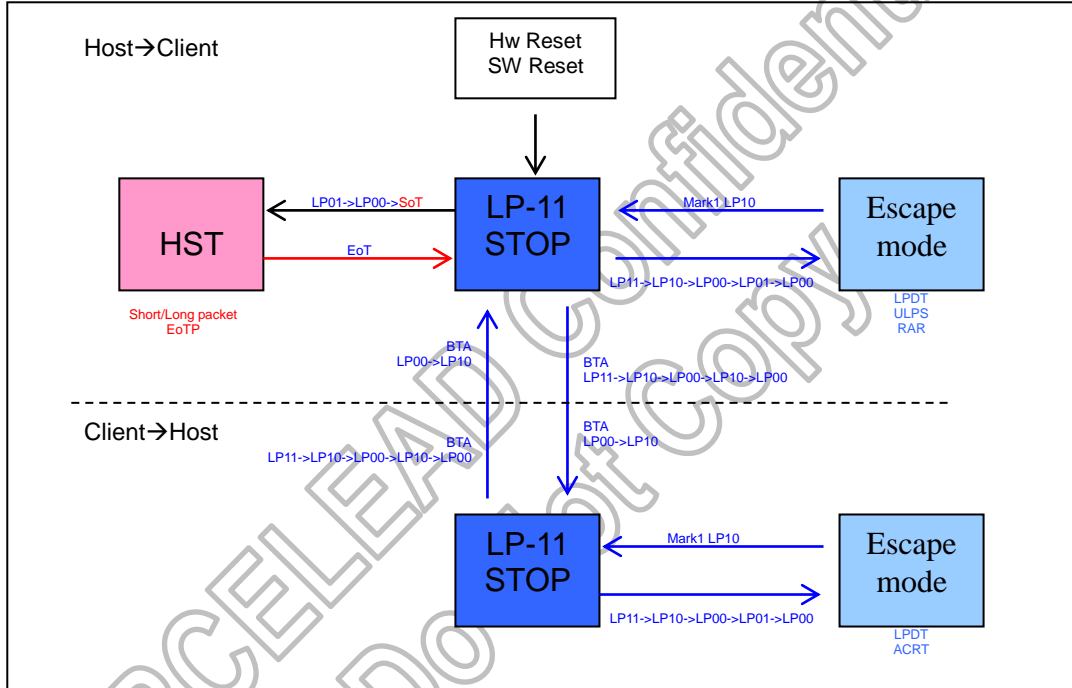


Figure 5-12: DSI Data Lane D0 State Diagram

Description	Operation Code
High Speed Data Transmission Burst	LP11->LP01->LP00
Escape mode entry	LP11->LP10->LP00->LP01->LP00
Bus turn around	LP11->LP10->LP00->LP10->LP00
Exit Escape mode (Mark-1)	LP00->LP10->LP11

Table 5-4: Data Lane D0 Operation Modes

ESCAPE MODE

Data lanes (DSI-D0+/-) can be used in different Escape Modes when data lanes are in Low Power (LP) mode.

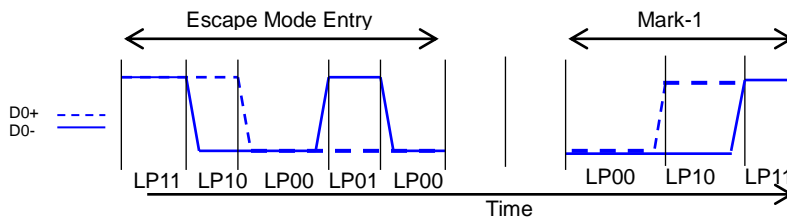


Figure 5-13: DSI Data Lane D0 general escape mode sequence



FL7703NI can support three different Escape Commands. The commands (EC) can be divided 2 different groups: Mode or Trigger. The HOST is informing to the driver IC that it is controlling data lanes (DSI-D0+/-) with the mode. Escape commands are defined as below table.

Escape Command	Command Type	Entry Command Pattern (First Bit→Last Bit Transmitted)
Low Power Data Transmission	Mode	1110 0001
Ultra-Low Power mode	Mode	0001 1110
Remote Application Reset	Trigger	0110 0010
Tearing Effect	Trigger	0101 1101
Acknowledge	Trigger	0010 0001

Table 5-5: Escape Mode Commands

Low-Power Data Transmission (LPDT)

The HOST can send data to the driver IC in Low-Power Data Transmission (LPDT) mode when data lanes are entering in Escape Mode and Low-Power Data Transmission (LPDT) command will be sent to this driver IC. The driver IC is also using the same sequence when it is sending data to the HOST. The Low Power Data Transmission (LPDT) is using a following sequence:

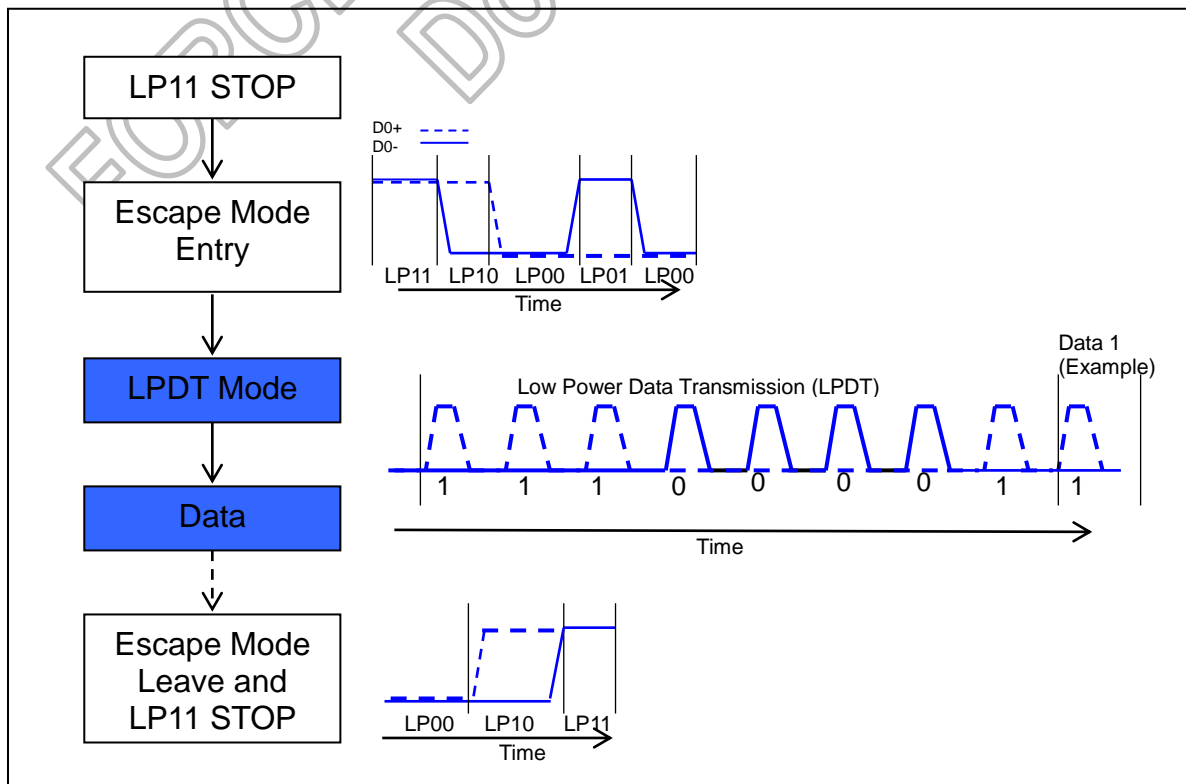


Figure 5-14: DSI Data Lane D0 LPDT sequence



Ultra Low Power State (ULPS)

The driver IC can enter this Ultra Low Power State to save power consumption when HOST send this ULPS command. Ultra Low Power State is using below sequence:

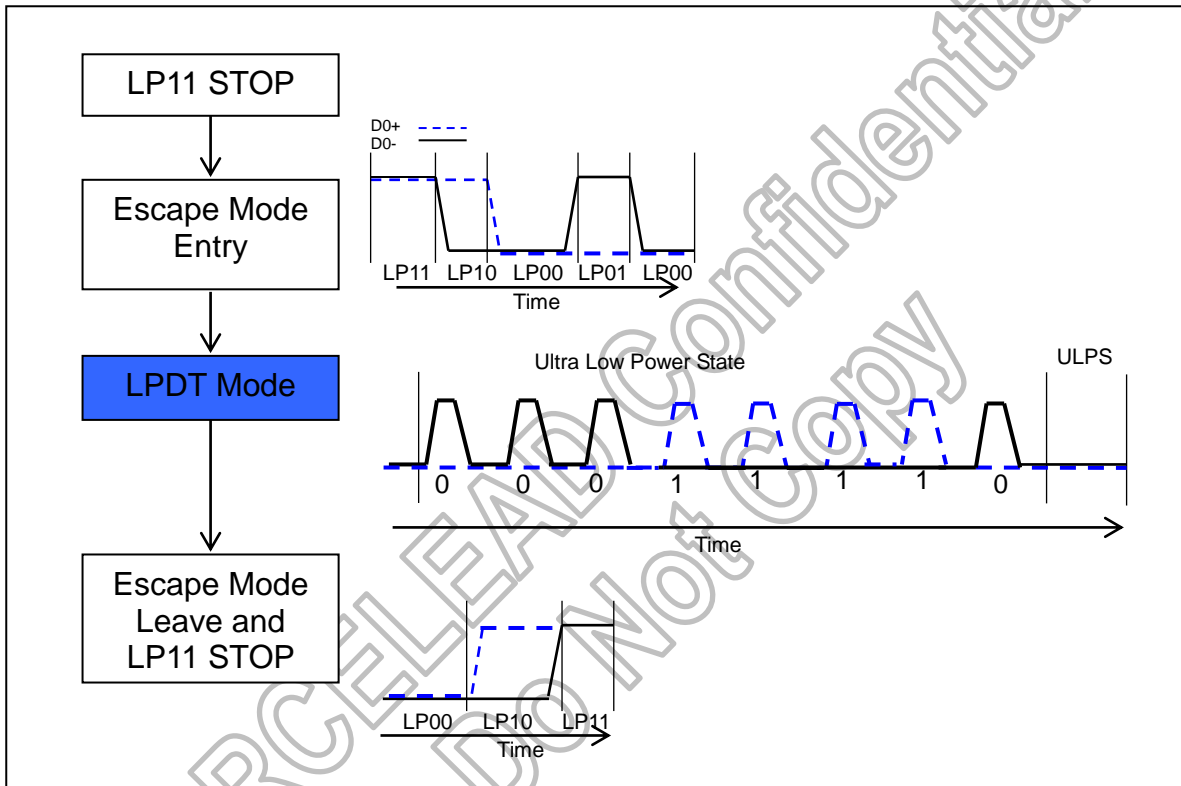


Figure 5-15: DSI Data Lane D0 ULPS sequence



Remote Application Reset (RAR)

The HOST can inform to the driver IC that it should be reset in Remote Application Reset (RAR) trigger when data lanes are entering in Escape Mode. The Remote Application Reset (RAR) is using a following sequence:

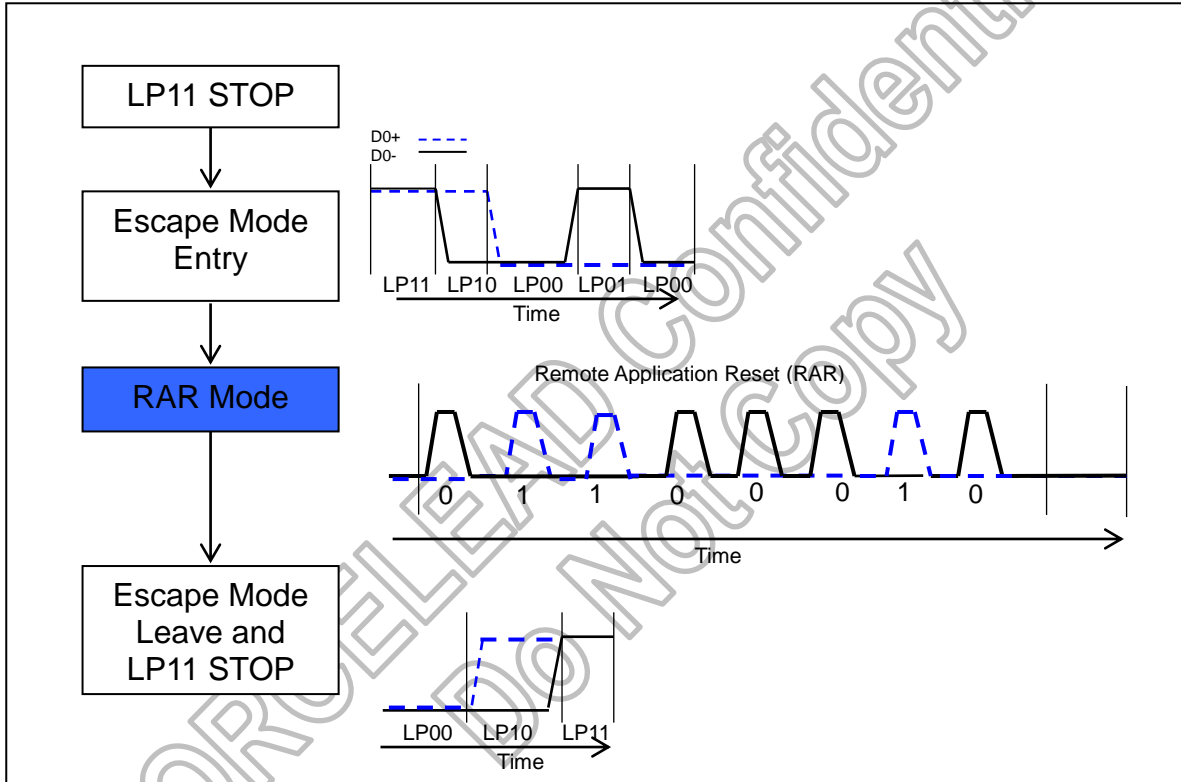


Figure 5-16: DSI Data Lane D0 RAR sequence



Tearing Effect (TEE)

The driver IC can inform to the HOST when a tearing effect event (New V-synch) has been happen on the driver IC by Tearing Effect (TEE). The Tearing Effect (TEE) is using a following sequence:

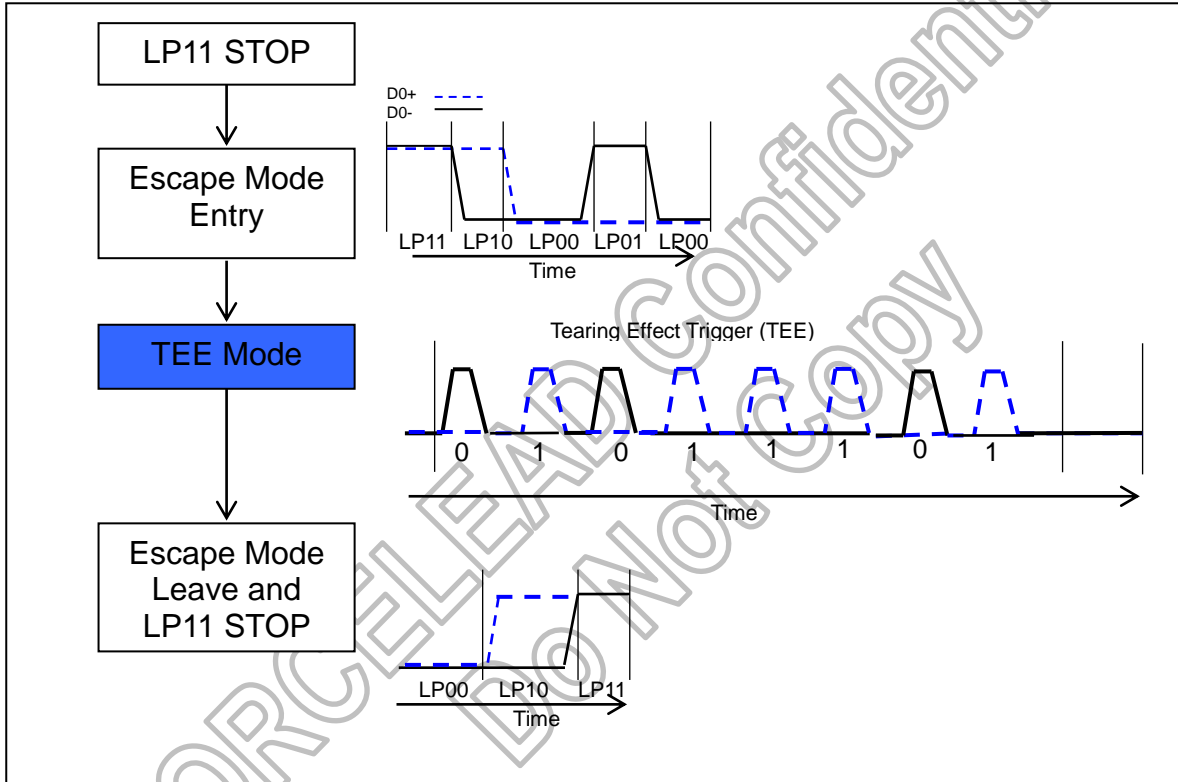


Figure 5-17: DSI Data Lane D0 TEE sequence

Acknowledge (ACK)

The driver IC can inform to the HOST when an error has not recognized on it by Acknowledge (ACK). The Acknowledge (ACK) is using a following sequence:

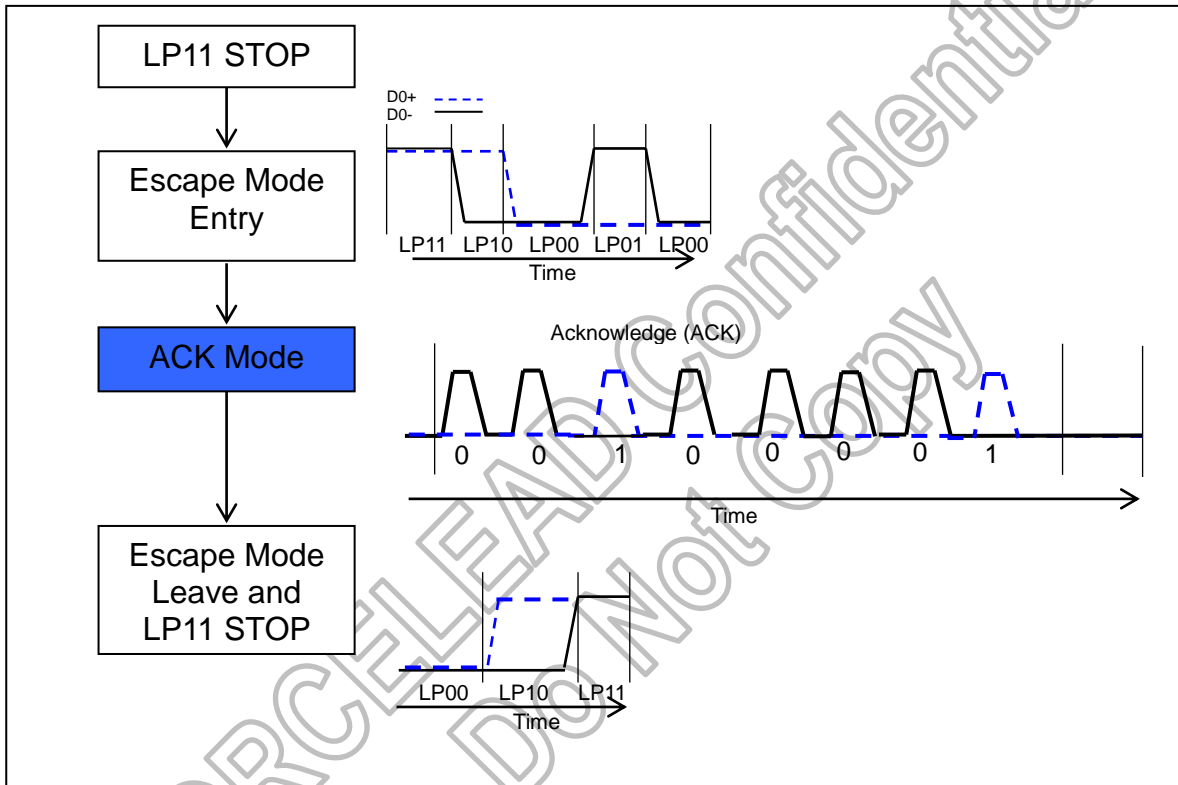


Figure 5-18: DSI Data Lane D0 ACK sequence



High Speed Data Transmission

The driver IC is entering High-Speed Data Transmission when Clock lanes DSI-CLK+/- have already been entered in the High-Speed Clock Mode by the HOST. Data lanes of the driver IC are entering (TSOT) in the High-Speed Data Transmission (HSDT) as below figure.

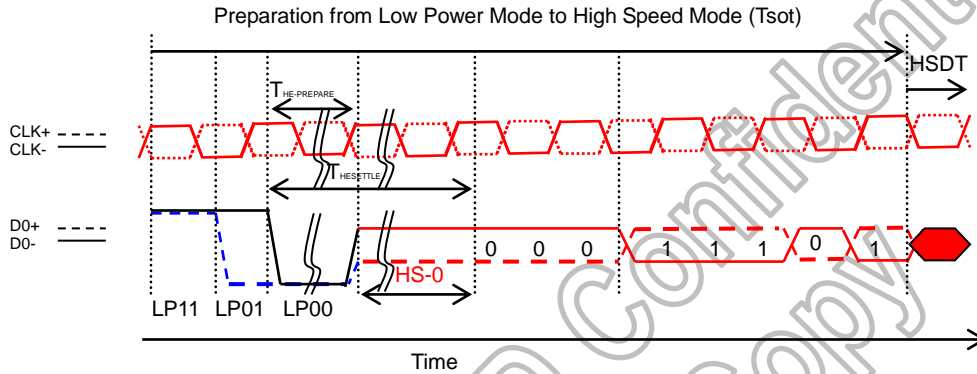
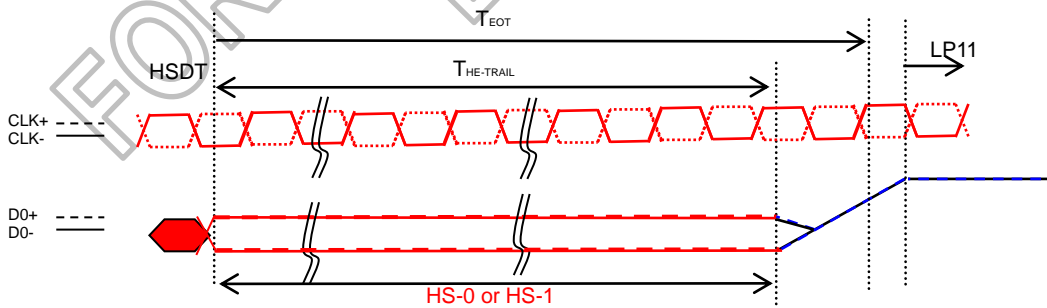


Figure 5-19: DSI Data Lane Entering High Speed Data Transmission

Leaving High Speed Data Transmission

The driver IC is leaving the High-Speed Data Transmission (TEOT of HSDT) when Clock lanes DSI-CLK+/- are in the High-Speed Clock Mode by the HOST and it is kept until data lanes are in LP-11 mode. Data lanes of the driver IC are leaving from the High-Speed Data Transmission (TEOT of HSDT) as follows



NOTE:
If the last bit is HS-0, the transmitter changes from HS-0 to HS-1
If the last bit is HS-1, the transmitter changes from HS-1 to HS-0

Figure 5-20: DSI Data Lane Leaving High Speed Data Transmission



Bus Turnaround (BTA)

The HOST or driver IC, which is controlling DSI-D0+/- Data Lanes, can start a bus turnaround procedure when it wants information from a receiver, which can be the HOST or driver IC. The HOST or driver IC is using the same sequence when this bus turnaround procedure is used. This sequence is described for reference purposes, when the HOST wants to do the bus turnaround procedure to the driver IC, as below.

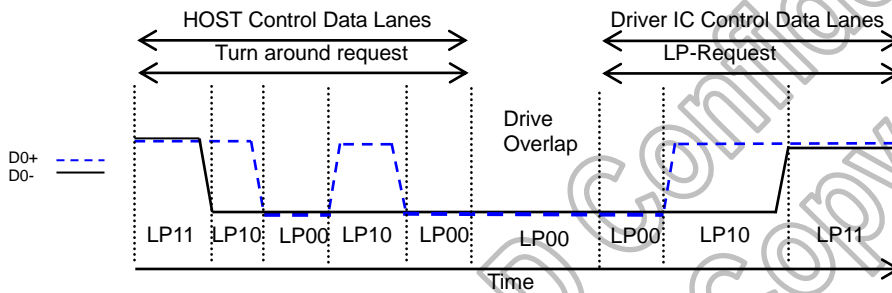
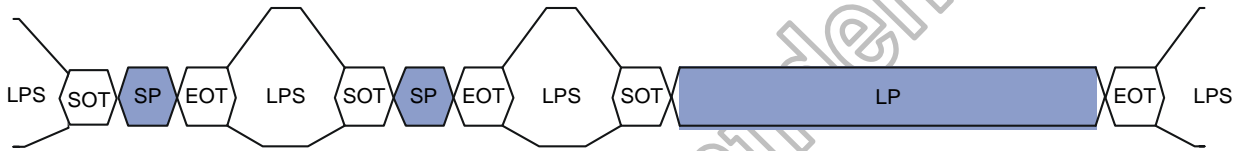


Figure 5-21: DSI Bus Turn Around Procedure



5.2.2 DSI Packet Level Communication

The DSI protocol permits multiple packets which is useful for events such as peripheral initialization, where many registers may be loaded separate write commands at system startup. Below figure illustrates multiple HS Transmission packets.



- LPS: Low power state
- SOT: Start of Transmission
- SP: Short Packet
- LP: Long Packet
- EOT: End of Transmission

Figure 5-22: DSI multiple HS transmission packets

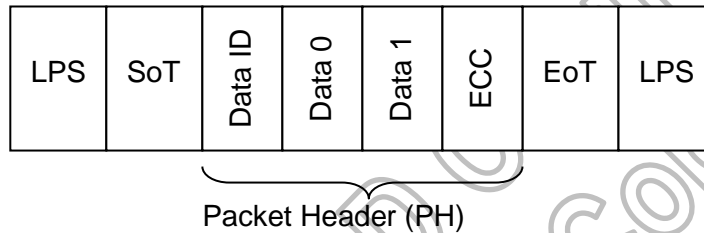
The packet includes two types which are Long packet and short packet. The first byte of the packet, the Data Identifier (DI), includes information specifying the length of the packet. Command Mode systems send commands and an associated set of parameters, with the number of parameters depending on the command type.



5.2.2.1 General Packet Structure

Short packets

Specify the payload length using the Data Type field and are from two to nine bytes in length. Short packet is used for most Command Mode commands and associated parameters. Where short packets format include an 8-bit Data ID followed by zero to seven bytes and an 8-bit ECC. Below figure shows the structure of the Short packet.



SOT: Start of Transmission

DI(Data ID): 8-bit Contain Virtual Channel Identifier and Data Type.

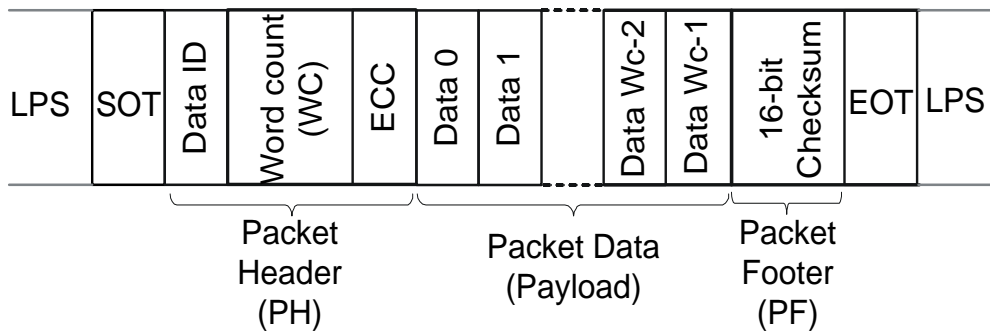
Data 0 and Data 1: Packet Data (8+8bit)

ECC(Error Correction Code): The Error Correction Code allows single-bit errors to be corrected and 2-bit errors to be detected in the Packet Header.

Figure 5-23: Structure of the short packet

Long packets

Specify the payload length using a two-byte Word Count field and then the payload maybe from 0 to 65,541 bytes in length. Long packets permit transmission of large blocks of pixel or other data. Below figure shows the structure of the Long packet. Long Packet Header composed of three elements: an 8-bit Data Identifier, a 16-bit Word Count, and 8-bit ECC. The Packet Footer has one element, a 16-bit checksum. Long packets can be from 6 to 65,541 bytes in length. Where 65,541 bytes = (216-1) + 4 bytes PH + 2 bytes PF



DI (Data ID): Contain Virtual Channel Identifier and Data Type.

WC (Word Count): 8+8 bits The receiver use WC to define packet end.

ECC (Error Correction Code): The Error Correction Code allows single-bit errors to be corrected and 2-bit errors to be detected in the Packet Header.

PF(Packet Footer): Mean 16-bit Checksum.

Figure 5-24: Structure of the long packet



According to packet form, basic elements include DI and ECC. Figure 4.44 the shows format of Data ID.

DI7	DI6	DI5	DI4	DI3	DI2	DI1	DI0
VC (Virtual Channel)		DT (Data Type)					

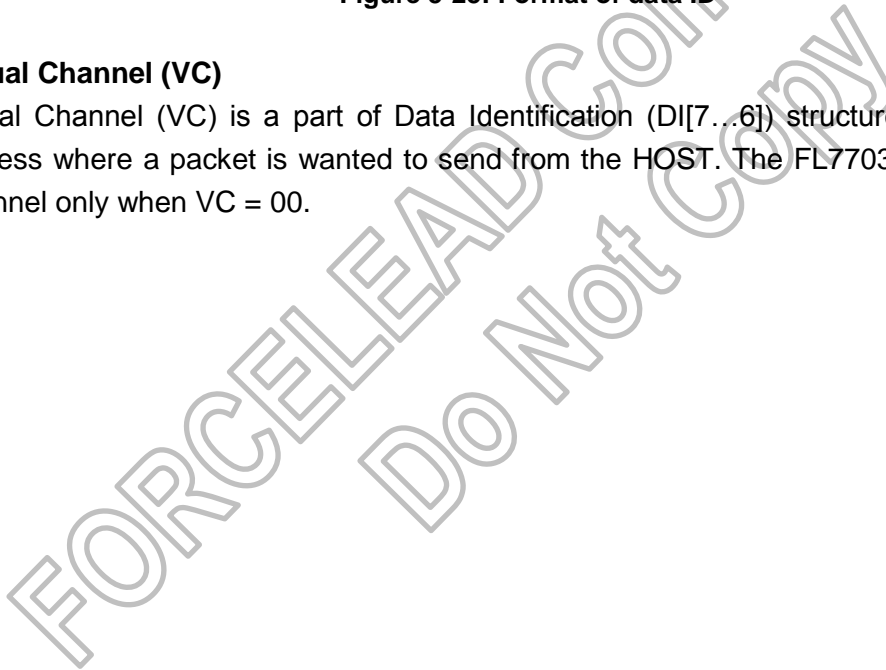
DI[7:6] → These two bits identify the data as directed to one of four virtual channels.

DI[5:0]: These six bits specify the Data Type, which specifies the size, format and, in some cases, the interpretation of the packet contents.

Figure 5-25: Format of data ID

Virtual Channel (VC)

Virtual Channel (VC) is a part of Data Identification (DI[7...6]) structure and it is used to address where a packet is wanted to send from the HOST. The FL7703NI supports Virtual Channel only when VC = 00.





Data Type (DT)

Data Type (DT) is a part of Data Identification (DI[5...0]) structure and it is used to define a type of the used data on a packet.

Data type, hex	Data type, binary	Description packet	Size
05h	00 0101	DCS Write, no parameters	Short
15h	01 0101	DCS Write, 1 parameter	Short
01h	00 0001	Sync Event, V Sync Start	Short
11h	01 0001	Sync Event, V Sync End	Short
21h	10 0001	Sync Event, H Sync Start	Short
31h	11 0001	Sync Event, H Sync End	Short
02h	00 0010	Color Mode (CM) Off Command	Short
12h	01 0010	Color Mode (CM) On Command	Short
22h	10 0010	Shut Down Peripheral Command	Short
32h	11 0010	Turn On Peripheral Command	Short
13h	01 0011	Generic Short Write, 1 parameter	Short
23h	10 0011	Generic Short Write, 2 parameter	Short
14h	01 0100	Generic Read, 1 parameter	Short
29h	10 1001	Generic Long Write	Long
06h	00 0110	DCS READ, no parameters	Short
37h	11 0111	Set Maximum Return Packet Size	Short
09h	00 1001	Null Packet, no data	Long
19h	01 1001	Blanking Packet, no data	Long
39h	11 1001	DCS Long Write/write_LUT Command Packet	Long
0Eh	00 1110	Packed Pixel Stream, 16-bit RGB, 5-6-5 Format	Long
1Eh	01 1110	Packed Pixel Stream, 18-bit RGB, 6-6-6 Format	Long
2Eh	10 1110	Loosely Packed Pixel Stream, 18-bit RGB, 6-6-6 Format	Long
3Eh	11 1110	Packed Pixel Stream, 24-bit RGB, 8-8-8 Format	Long
X0h and XFh, unspecified	xx 0000 xx 1111	DO NOT USE All unspecified codes are reserved	-

Table 5-6: Data Types from Host to the Driver IC

Data type, hex	Data type, binary	Description packet	Size
02h	00 0010	Acknowledge with Error Report	Short
21h	01 0001	Generic short READ Response, 1 byte returned	Short
22h	01 0010	Generic short READ Response, 2 byte returned	Short
1Ah	01 1010	Generic Read Long Response	Long
1Ch	01 1100	DCS Long READ Response	Long

Table 5-7: Data Types from the Driver IC to Host

**Error Correction Code (ECC)**

Error Correction Code (ECC) is a part of Packet Header (PH) and its purpose is to identify an error or errors on the Packet Header (PH).

Bits (P[7...0]) of the Error Correction Code (ECC) are defined, where the symbol '^' is presenting XOR function, as follows.

- P7 = 0
- P6 = 0
- P5 = D10^D11^D12^D13^D14^D15^D16^D17^D18^D19^D21^D22^D23
- P4 = D4^D5^D6^D7^D8^D9^D16^D17^D18^D19^D20^D22^D23
- P3 = D1^D2^D3^D7^D8^D9^D13^D14^D15^D19^D20^D21^D23
- P2 = D0^D2^D3^D5^D6^D9^D11^D12^D15^D18^D20^D21^D22
- P1 = D0^D1^D3^D4^D6^D8^D10^D12^D14^D17^D20^D21^D22^D23
- P0 = D0^D1^D2^D4^D5^D7^D10^D11^D13^D16^D20^D21^D22^D23

PACKET DATA (PD) ON THE LONG PACKET

Packet Data (PD) of the Long Packet is defined after Packet Header (PH) of the Long Packet. The number of the data bytes is defined on chapter "Word Count (WC) on the Long Packet".

PACKET FOOTER (PF) ON THE LONG PACKET

Packet Footer (PF) of the Long Packet is defined after the Packet Data (PD) of the Long Packet. The Packet Footer (PF) is a checksum value what is calculated from the Packet Data of the Long Packet. The checksum is using a 16-bit Cyclic Redundancy Check (CRC) value which is generated with a polynomial $X^{16}+X^{12}+X^5+X^0$.



5.2.2.2 Detail Format Description

Generic Write, 1 Parameter, Data Type = 01 0011 (13h)

Generic Write, 1 Parameter is always using a Short Packet from the HOST to the driver IC. The content of 2 payload bytes is “command” and “00h”.

Generic Write, 2 Parameter, Data Type = 10 0011 (23h)

Generic Write, 2 Parameter is always using a Short Packet from the HOST to the driver IC. The content of 2 payload bytes is “command” and “parameter”.

Generic Long Write, Data Type = 10 1001 (29h)

Generic Long Write is always using a Long Packet from the HOST to the driver IC. The content can include Command (No Parameters) or Command with 1 or more parameters.

Generic Read, 1 Parameter, Data Type = 01 0100 (14h)

Generic Read, 1 Parameter is always using a Short Packet from the HOST to the driver IC. The HOST has to define to the driver IC, what is the maximum size of the return packet. A command, what is used for this purpose, is “Set Maximum Return Packet Size”, which Data Type is 11 0111 and which is using Short Packet before the HOST can send “Generic Read, 1 Parameter” to the driver IC.

Display Command Set Write, No Parameter, Data Type = 00 0101 (05h)

Display Command Set (DCS) Write, No Parameter is always using a Short Packet from the HOST to the driver IC. The content of 2 payload bytes is “command” and “00h”.

Display Command Set Write, 1 Parameter, Data Type = 01 0101 (15h)

Display Command Set (DCS) Write, 1 Parameter is always using a Short Packet from the HOST to the driver IC. The content of 2 payload bytes is “command” and “parameter”.

Display Command Set Long Write, Data Type = 11 1001 (39h)

Display Command Set (DCS) Long Write is always using a Long Packet from the HOST to the driver IC. The content can include Command (No Parameters) or Command with 1 or more parameters.

Display Command Set (DCS) Read, No Parameter, Data Type = 00 0110 (06h)

Display Command Set (DCS) Read, No Parameter is always using a Short Packet, from the HOST to the driver IC. The HOST has to define to the driver IC, what is the maximum size of the return packet. A command, what is used for this purpose, is “Set Maximum Return Packet Size”, which Data Type is 11 0111 and which is using Short Packet before the HOST can send “Display Command Set (DCS) Read, No Parameter” to the driver IC.

**Null Packet, No Data , Data Type = 00 1001 (09h)**

Null Packet, No Data is always using a Long Packet, what is defined on Data Type from the HOST to the driver IC. The purpose of this command is keeping data lanes in the high speed mode, if it is needed. The driver IC is ignored Packet Data what the HOST is sending.

Set Maximum Return Packet Size, Data Type = 11 0011 (37h)

Set Maximum Return Packet Size is always using a Long Packet, what is defined on Data Type from the HOST to the driver IC. The purpose of this command is specifies the maximum size of the payload in a Long packet transmitted from peripheral back to the host processor.

Sync Event (H Start, H End, V Start, V End), Data Type = XX 0001 (0xX1)

Sync Events are Short packets and, therefore, can time-accurately represent events like the start and end of sync pulses. As “start” and “end” are separate and distinct events, the length of sync pulses, as well as position relative to active pixel data, The Sync Events are defined as follows:

- Data Type = 00 0001 (01h) V Sync Start
- Data Type = 01 0001 (11h) V Sync End
- Data Type = 10 0001 (21h) H Sync Start
- Data Type = 11 0001 (31h) H Sync End

Color Mode On Command, and, Data Type = 01 0010 (12h)

Color Mode On is a Short packet command that switches a Video Mode driver IC to 8-colors mode for power saving.

Color Mode Off Command, Data Type = 00 0010 (02h)

Color Mode Off is a Short packet command that returns a Video Mode driver IC from 8-colors mode to normal display operation.

Shutdown Peripheral Command, Data Type = 10 0010 (22h)

Shutdown Peripheral command is a Short packet command that turns off the display in a Video Mode driver IC for power saving. Note the interface shall remain powered in order to receive the turn-on, or wake-up command.

Turn On Peripheral Command, Data Type = 11 0010 (32h)

Turn On Peripheral command is Short packet command that turns on the display in a Video Mode driver IC for normal display operation.



Blanking Packet (Long), Data Type = 01 1001 (19h)

A Blanking packet is used to convey blanking timing information in a Long packet. Normally, the packet represents a period between active scan lines of a Video Mode display, where traditional display timing is provided from the host processor to the driver IC.

Packed Pixel Stream, 16-bit Format, Long packet, Data Type = 00 1110 (0Eh)

Packed Pixel Stream 16-Bit Format is a Long packet used to transmit image data formatted as 16-bit pixels to a Video Mode driver IC. Pixel format is five bits red, six bits green, five bits blue, in that order. Note that the “Green” component is split across two bytes. Within a color component, the LSB is sent first, the MSB last.

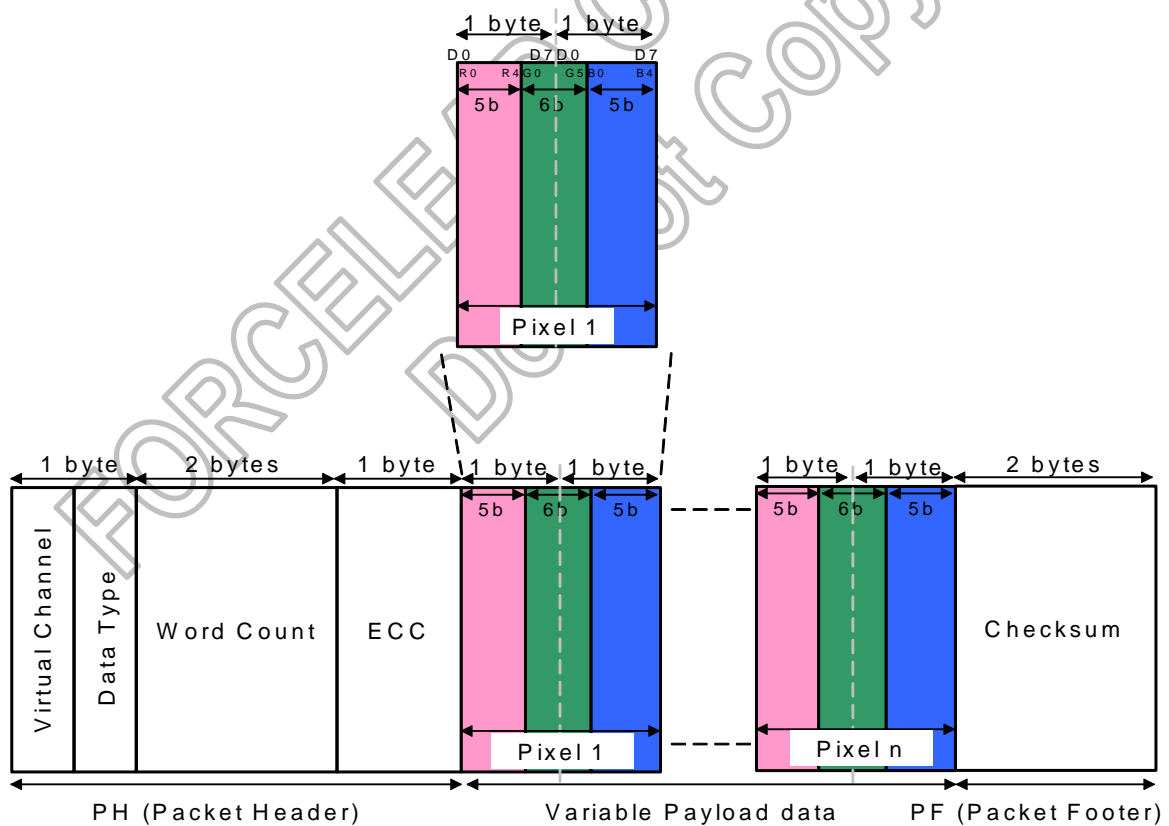
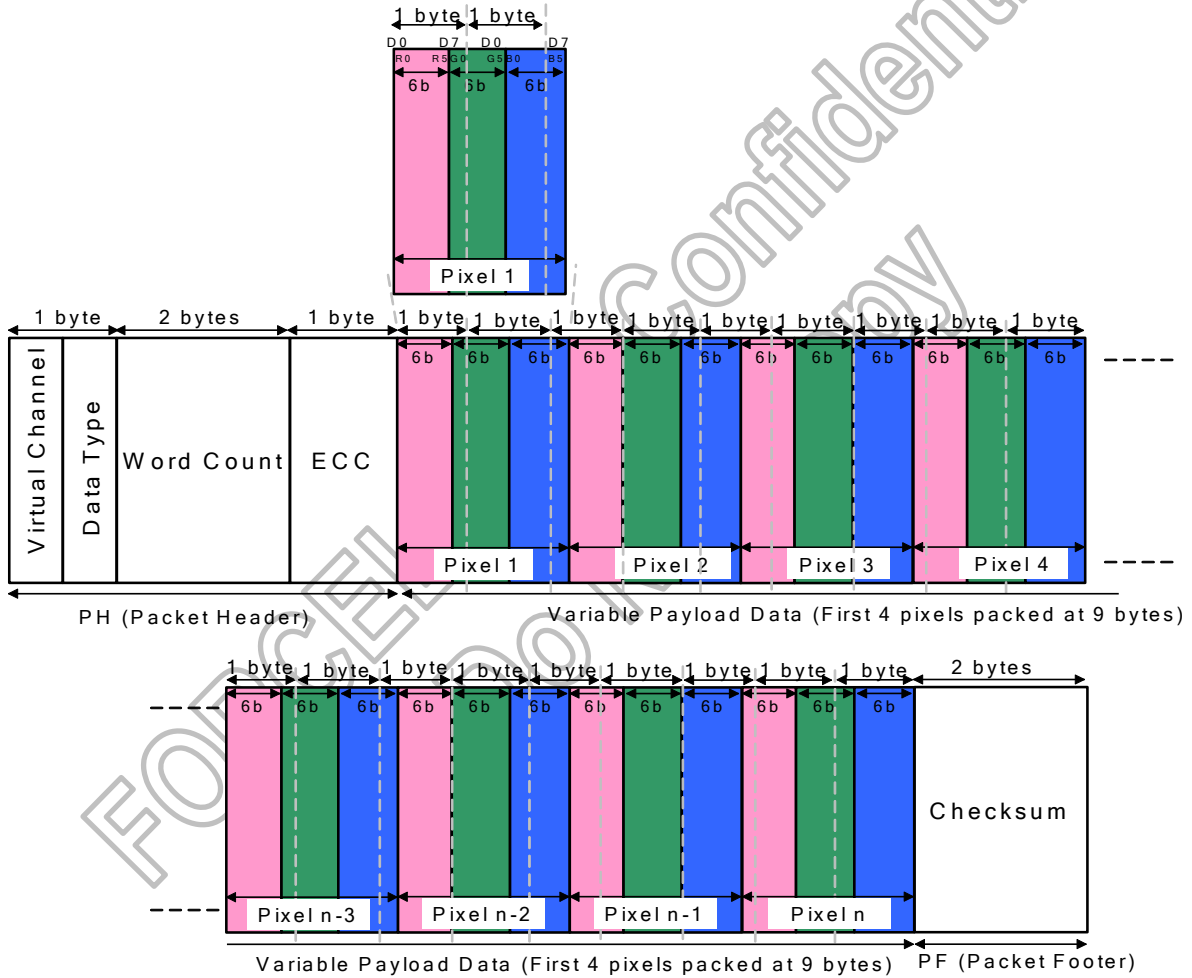


Figure 5-26: 16-bit RGB Color Format, Long packet



Packed Pixel Stream, 18-bit Format, Long packet, Data type = 01 1110 (1Eh)

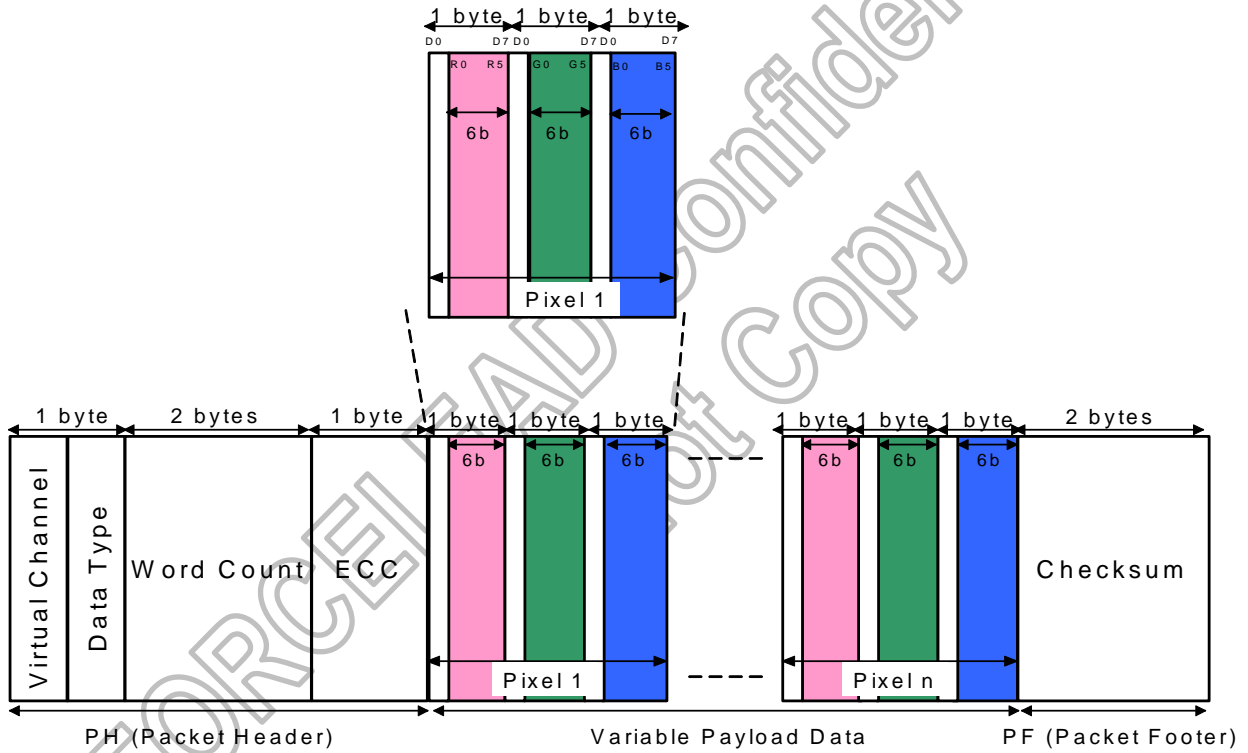
Packed Pixel Stream 18-Bit Format is a Long packet used to transmit image data formatted as 18-bit pixels to a Video Mode driver IC. Pixel format is six bits red, six bits green, six bits blue, in that order.





Pixel Stream, 18-bit Format in Three Bytes, Long packet, Data Type = 101110 (2Eh)

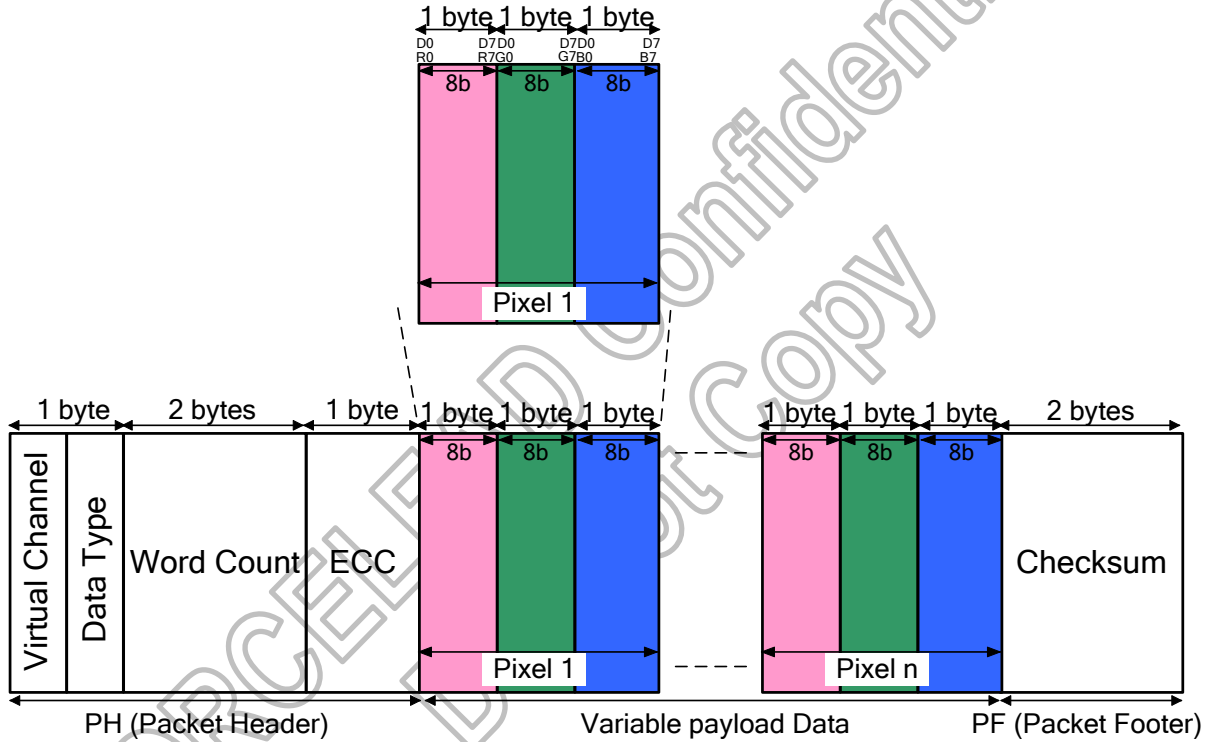
Packed Pixel Stream 18-Bit Format is a Long packet used to transmit image data formatted as 18-bit pixels to a Video Mode driver IC. Each R, G, or B color component is six bits but is shifted to the upper bits of the byte, such that the valid pixel bits occupy bits [7:2] of each byte. Bits [1:0] of each payload byte representing active pixels are ignored.





Packed Pixel Stream, 24-bit Format, Long packet, Data Type = 11 1110 (3Eh)

Packed Pixel Stream 24-Bit Format is a Long packet used to transmit image data formatted as 18-bit pixels to a Video Mode driver IC. Pixel format is eight bits red, eight bits green, eight bits blue, in that order.





Acknowledge with Error Report, Data Type = 00 0010(02h)

“Acknowledge with Error Report” is always using a Short Packet, from the driver IC to the HOST. The Packet Data can include bits, which are defining the current error, when a corresponding bit is set to ‘1’, as they are defined on the following table.

Bit	Description
0	SoT Error
1	SoT Sync Error
2	EoT Sync Error
3	Escape Mode Entry Command Error
4	Low-Power Transmit Sync Error
5	HS Receive Timeout Error
6	Reserved
7	Reserved
8	ECC Error, single-bit (detected and corrected)
9	ECC Error, multi-bit (detected, not corrected)
10	Checksum Error (long packet only)
11	DSI Data Type Not Recognized
12	DSI VC ID Invalid
13	Reserved
14	Reserved
15	Reserved

These errors of the previous packets can check “Read Display Signal Mode (0Eh)” and “Read Number of the Errors on DSI (05h)” commands. The bit D0 of the “Read Display Signal Mode (0Eh)” command has been set to ‘1’ if a received packet includes an error.

The number of the packets, which are including an ECC or CRC error, are calculated on the RDNUMED register, which can read “Read Number of the Errors on DSI (05h)” command.

DCS Read Long Response, Data Type = 01 1100(1Ch)

DCS Read Long Response is always using a Long Packet, from the driver IC to the Host. “DCS Read Long Response” is used when the driver IC wants to response a DCS Read command, which the Host has sent to the driver IC.

DCS Read Short Response, 1 Byte Returned, Data Type = 10 0001(21h)

DCS Read Short Response, 1 Byte Returned is always using a Short Packet from the driver IC to the Host. “DCS Read Short Response, 1 Byte Returned” is used when the driver IC wants to response a DCS Read command, which the Host has sent to the driver IC.

DCS Read Short Response, 2 Bytes Returned, Data Type = 10 0010(22h)

DCS Read Short Response, 2 Bytes Returned is always using a Short Packet from the driver IC to the Host. “DCS Read Short Response, 2 Bytes Returned” is used when the driver IC wants to response a DCS Read command, which the Host has sent to the driver IC.

**Generic Read Long Response, Data Type = 01 1010(1Ah)**

Generic Read Long Response is always using a Long Packet from the driver IC to the HOST. "Generic Read Long Response" is used when the driver IC wants to response a Generic Read command.

Generic Read Short Response, 1 Byte Returned, Data Type = 01 0001(11h)

Generic Read Short Response, 1 Byte Returned is always using a Short Packet from the driver IC to the HOST. "Generic Read Short Response, 1 Byte Returned" is used when the driver IC wants to response a Generic Read command, which the HOST has sent to the driver IC.

Generic Read Short Response, 2 Bytes Returned, Data Type = 01 0010(12h)

Generic Read Short Response, 2 Bytes Returned is always using a Short Packet from the driver IC to the HOST. "Generic Read Short Response, 2 Bytes Returned" is used when the driver IC wants to response a Generic Read command, which the HOST has sent to the driver IC.

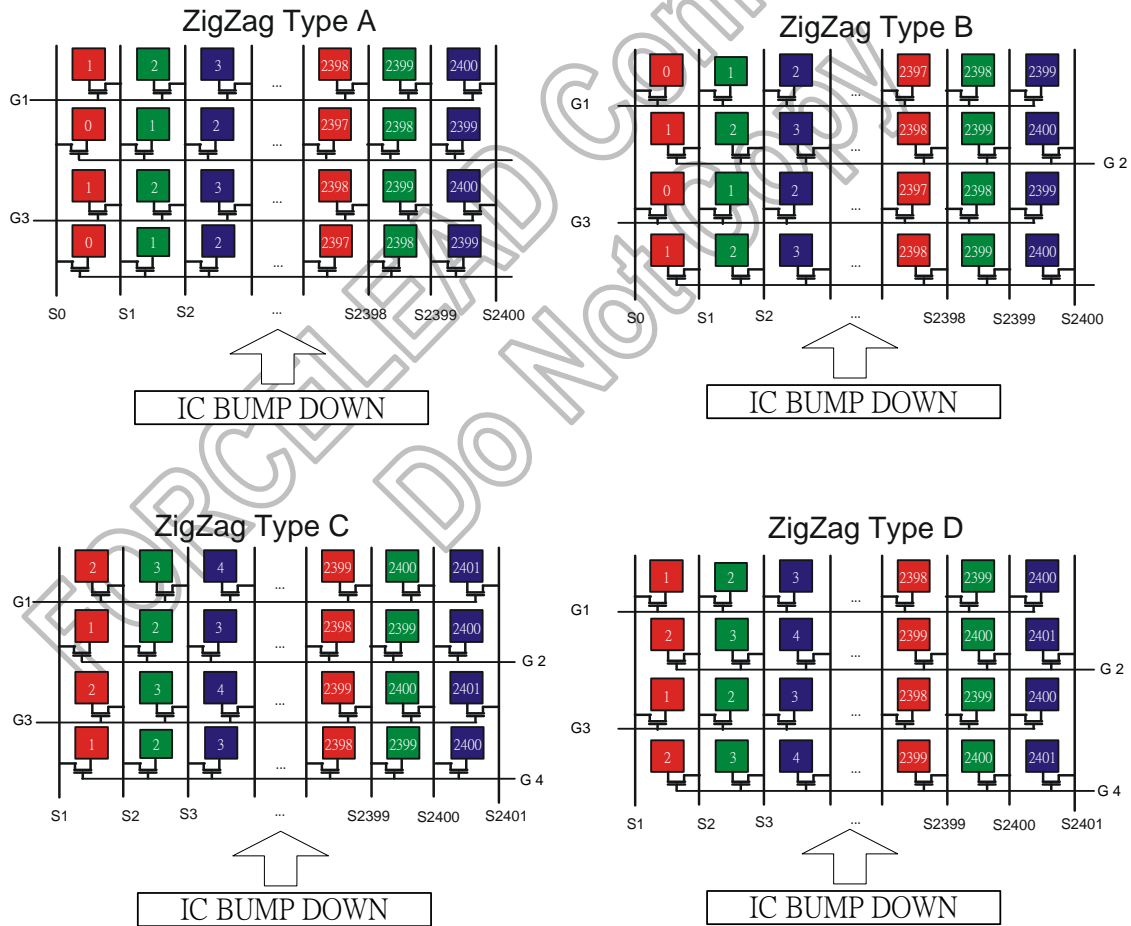
FORCELEAD Confidential
Do Not Copy



5.3 Inversion

The FL7703NI can support the column, 1-dot, 1+2-dot, 2-dot, 3-dot, 4-dot and 8-dot inversion of liquid crystal. These inversions can provide a solution for improving display quality. In determining the inversion drive for the inversion cycle, check the quality of display on the liquid crystal panel.

The FL7703NI also can support the ZigZag inversion. Eight kinds of ZigZag inversion can be selected by software setting. These kinds are as below figure:



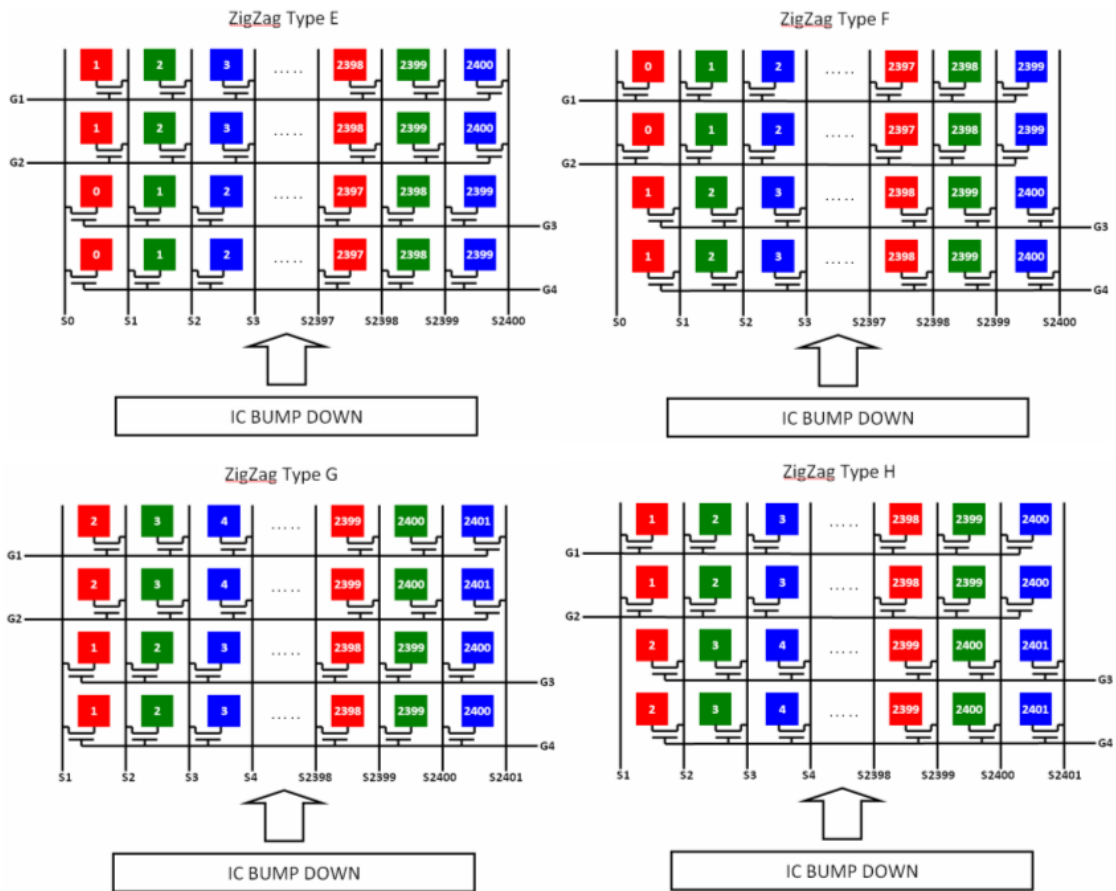


Figure 5-27: Source channels of ZigZag inversion mode



5.4 Gamma Function

The FL7703NI offers two kinds of Gamma adjustment ways to come to accord with LC characteristic, one kind is through Source Driver directly, another one is adjusted by the digital gamma correction. The adjustment of digital gamma is selected by internal register DGC_EN bit.

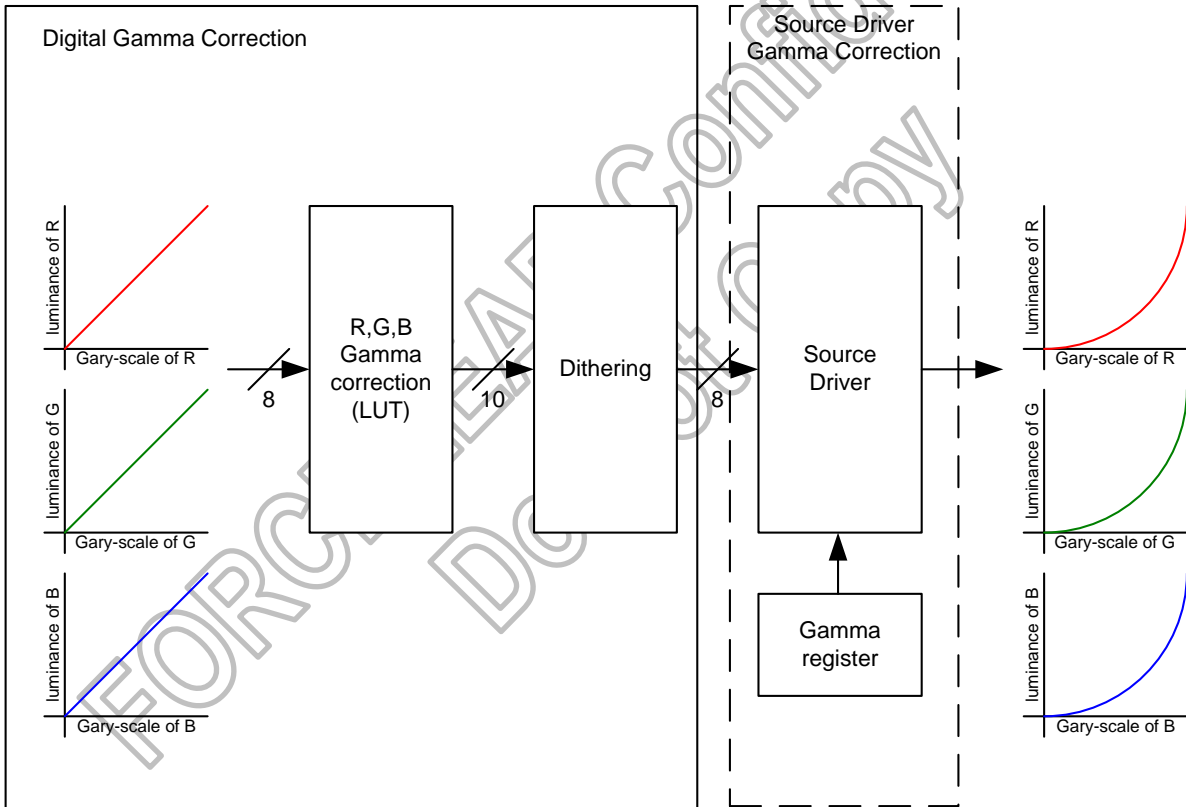


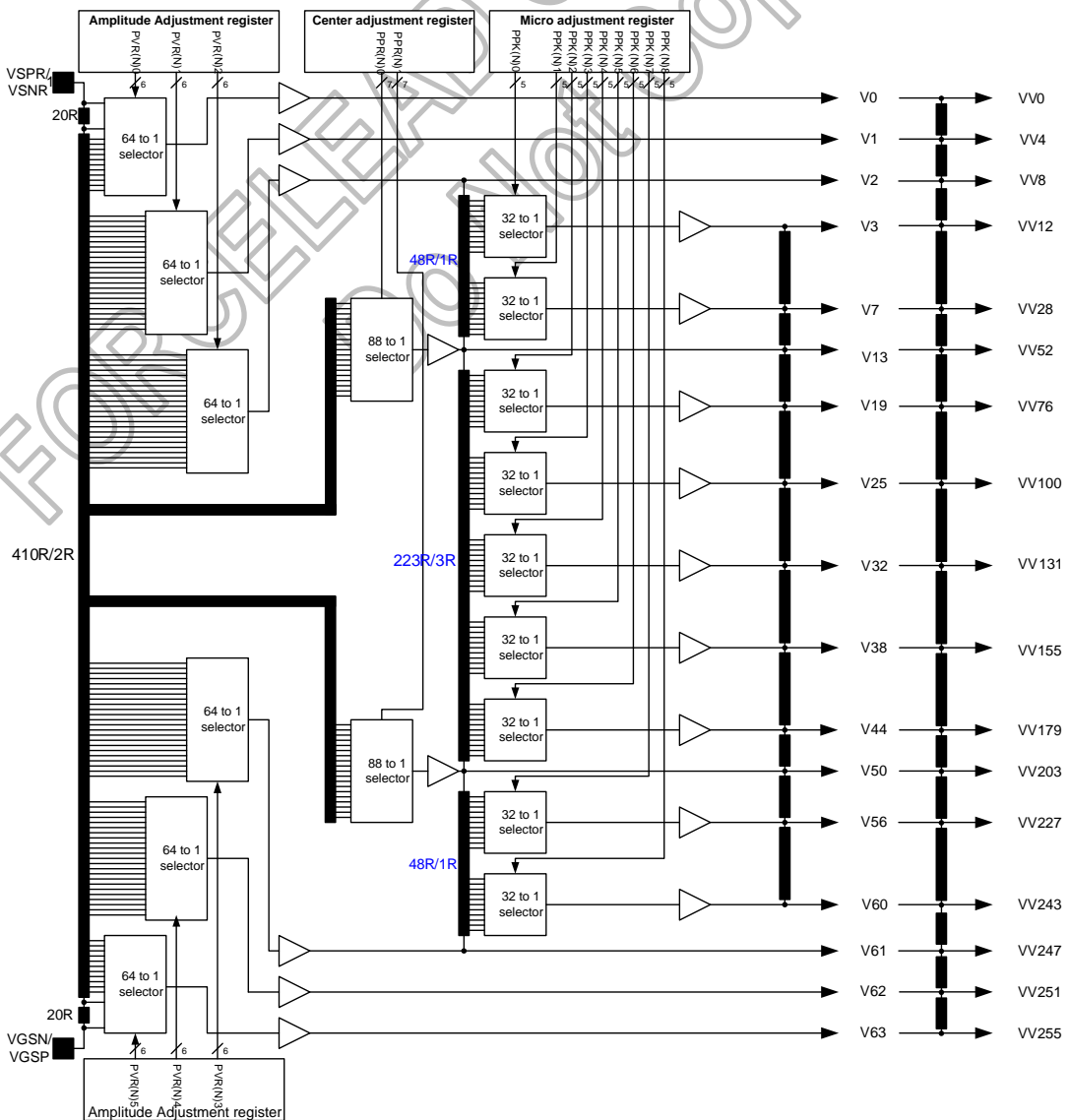
Figure 5-28: Gamma adjustments different of source driver with digital gamma correction



5.4.1 Gamma Characteristic Correction Function

The FL7703NI incorporates gamma adjustment function for the 16.7m-color display. Gamma adjustment operation is implemented by deciding the 17 grayscale levels firstly in gamma adjustment control registers to match the LCD panel. These registers are available both for positive polarities and negative polarities.

The block consists of two gamma register streams one is for positive polarity and the other is for negative polarity, each one including 17 gamma reference voltages. VgP/N (0, 4, 8, 12, 28, 52, 76, 100, 131, 155, 179, 203, 227, 273, 247, 251, 255).





5.4.2 Gray Voltage Generator for Digital Gamma Correction

The FL7703NI digital gamma correction can reach the independent GAMMA curve of RGB. The FL7703NI utilizes DGC_LUT (Digital Gamma Correction Look Up Table) to change input data from 8-bit into 10-bit and sends 10-bit data to Dithering circuit, and then drive Source Driver via Dithering circuit. The following of the block diagram of the function.

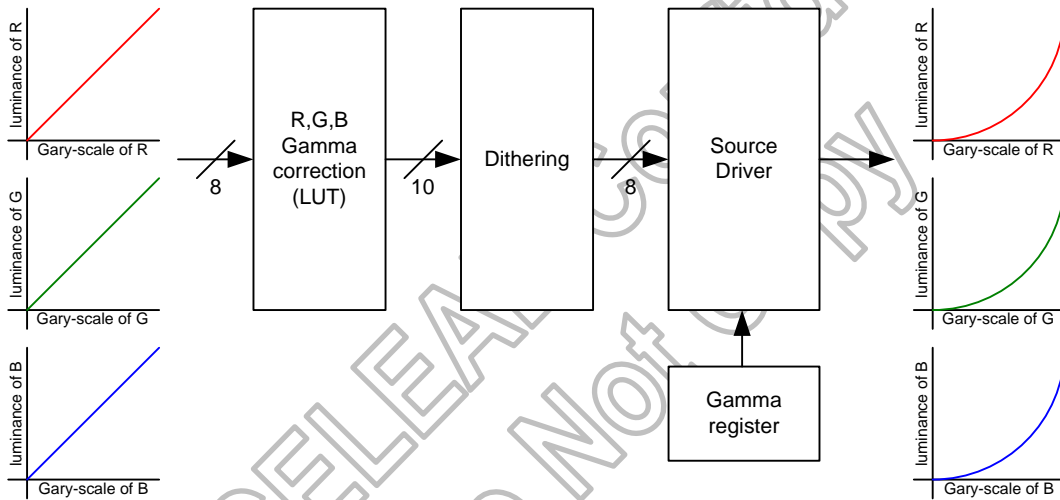


Figure 5-29: Block diagram of digital gamma correction



There are 99 bytes DGC LUT to set R, G, B gamma independently. When DGC_EN=1, R, G, B gamma will mapping V0, V8, V16,, V240, V248, V255 voltage to the LUT register setting gray level voltage.

CDh	DGC_R								
Parameter	D7	D6	D5	D4	D3	D2	D1	D0	Default
1st	x	x	x	x	x	DITH_EN	DITH_OP T	DGC_EN	00
2nd	DGC_LU T_R00	DGC_LU T_R00	DGC_LU T_R00	DGC_LU T_R00	DGC_LU T_R00	DGC_LU T_R00	DGC_LU T_R00	DGC_LU T_R00	80
3rd	DGC_LU T_R01	DGC_LU T_R01	DGC_LU T_R01	DGC_LU T_R01	DGC_LU T_R01	DGC_LU T_R01	DGC_LU T_R01	DGC_LU T_R01	80
⋮	⋮	⋮	⋮	⋮	⋮	⋮	⋮	⋮	⋮
⋮	⋮	⋮	⋮	⋮	⋮	⋮	⋮	⋮	⋮
33rd	DGC_LU T_R31	DGC_LU T_R31	DGC_LU T_R31	DGC_LU T_R31	DGC_LU T_R31	DGC_LU T_R31	DGC_LU T_R31	DGC_LU T_R31	80
34th	DGC_LU T_R32	DGC_LU T_R32	DGC_LU T_R32	DGC_LU T_R32	DGC_LU T_R32	DGC_LU T_R32	DGC_LU T_R32	DGC_LU T_R32	80

CEh	DGC_G								
Parameter	D7	D6	D5	D4	D3	D2	D1	D0	Default
1st	DGC_LU T_G00	DGC_LU T_G00	DGC_LU T_G00	DGC_LU T_G00	DGC_LU T_G00	DGC_LU T_G00	DGC_LU T_G00	DGC_LU T_G00	80
2nd	DGC_LU T_G01	DGC_LU T_G01	DGC_LU T_G01	DGC_LU T_G01	DGC_LU T_G01	DGC_LU T_G01	DGC_LU T_G01	DGC_LU T_G01	80
⋮	⋮	⋮	⋮	⋮	⋮	⋮	⋮	⋮	⋮
⋮	⋮	⋮	⋮	⋮	⋮	⋮	⋮	⋮	⋮
32rd	DGC_LU T_G31	DGC_LU T_G31	DGC_LU T_G31	DGC_LU T_G31	DGC_LU T_G31	DGC_LU T_G31	DGC_LU T_G31	DGC_LU T_G31	80
33th	DGC_LU T_G32	DGC_LU T_G32	DGC_LU T_G32	DGC_LU T_G32	DGC_LU T_G32	DGC_LU T_G32	DGC_LU T_G32	DGC_LU T_G32	80

CFh	DGC_B								
Parameter	D7	D6	D5	D4	D3	D2	D1	D0	Default
1st	DGC_LU T_B00	DGC_LU T_B00	DGC_LU T_B00	DGC_LU T_B00	DGC_LU T_B00	DGC_LU T_B00	DGC_LU T_B00	DGC_LU T_B00	80
2nd	DGC_LU T_B01	DGC_LU T_B01	DGC_LU T_B01	DGC_LU T_B01	DGC_LU T_B01	DGC_LU T_B01	DGC_LU T_B01	DGC_LU T_B01	80
⋮	⋮	⋮	⋮	⋮	⋮	⋮	⋮	⋮	⋮
⋮	⋮	⋮	⋮	⋮	⋮	⋮	⋮	⋮	⋮
32rd	DGC_LU T_B31	DGC_LU T_B31	DGC_LU T_B31	DGC_LU T_B31	DGC_LU T_B31	DGC_LU T_B31	DGC_LU T_B31	DGC_LU T_B31	80
33th	DGC_LU T_B32	DGC_LU T_B32	DGC_LU T_B32	DGC_LU T_B32	DGC_LU T_B32	DGC_LU T_B32	DGC_LU T_B32	DGC_LU T_B32	80



5.5 Sleep Out - command and Self-diagnostic Functions of the display module

5.5.1 Register Loading Detection

Sleep Out-command (11h) is a trigger for an internal function of the display module, which indicates, if the display module loading function of factory default values from OTP (or similar device) to registers of the display controller is working properly. There are compared factory values of the OTP and register values of the display controller by the display controller. If those both values (OTP and register values) are same, there is inverted (=increased by 1) a bit, which is defined in command “Read Display Self-Diagnostic Result (0Fh)” (=RDDSDR) (The used bit of this command is D7). If those both values are not same, this bit (D7) is not inverted (=increased by 1).

The flow chart for this internal function is following:

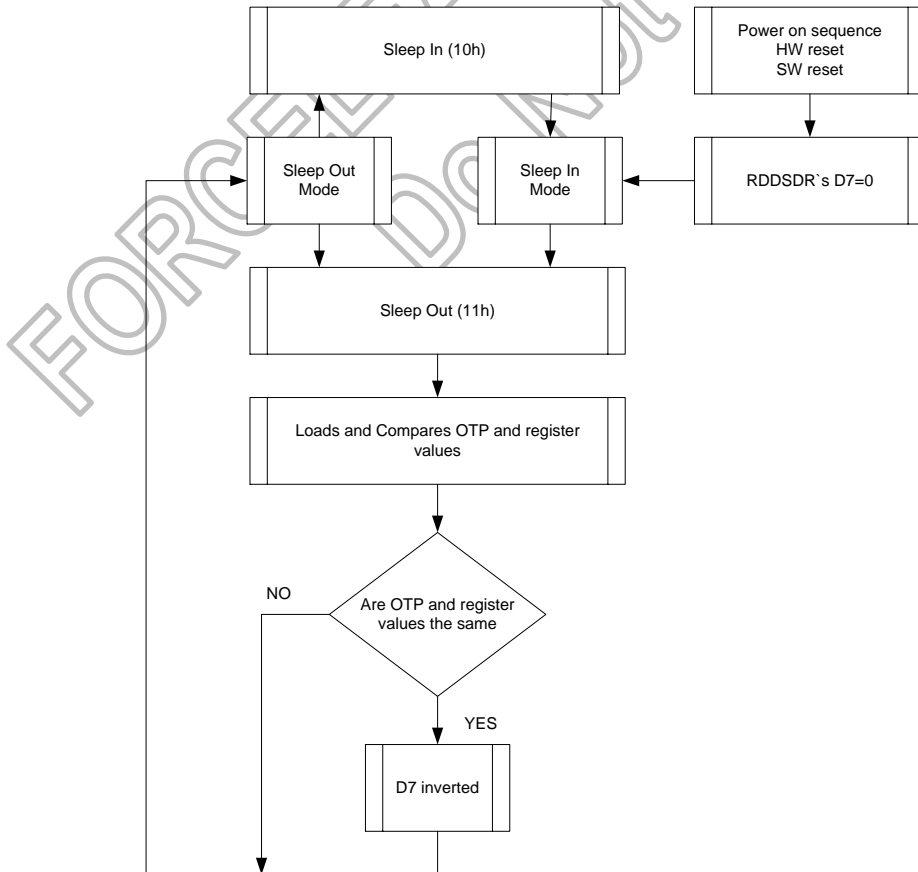


Figure 5-30: Sleep out flow chart–command and self-diagnostic functions



5.5.2 Functionality Detection

Sleep Out-command (11h) is a trigger for an internal function of the display module, which indicates, if the display module is still running and meets functionality requirements.

The internal function is comparing, if the display module still meets functionality requirements (e.g. booster voltage levels, timings, etc.). If functionality requirement is met, 1 bit will be inverted (=increased by 1), which is defined in command “Read Display Self- Diagnostic Result (0Fh)” (=RDDSDR) (The used bit of this command is D6). If functionality requirement is not the same, this bit (D6) is not inverted (=increased by 1). The flow chart for this internal function is shown as below.

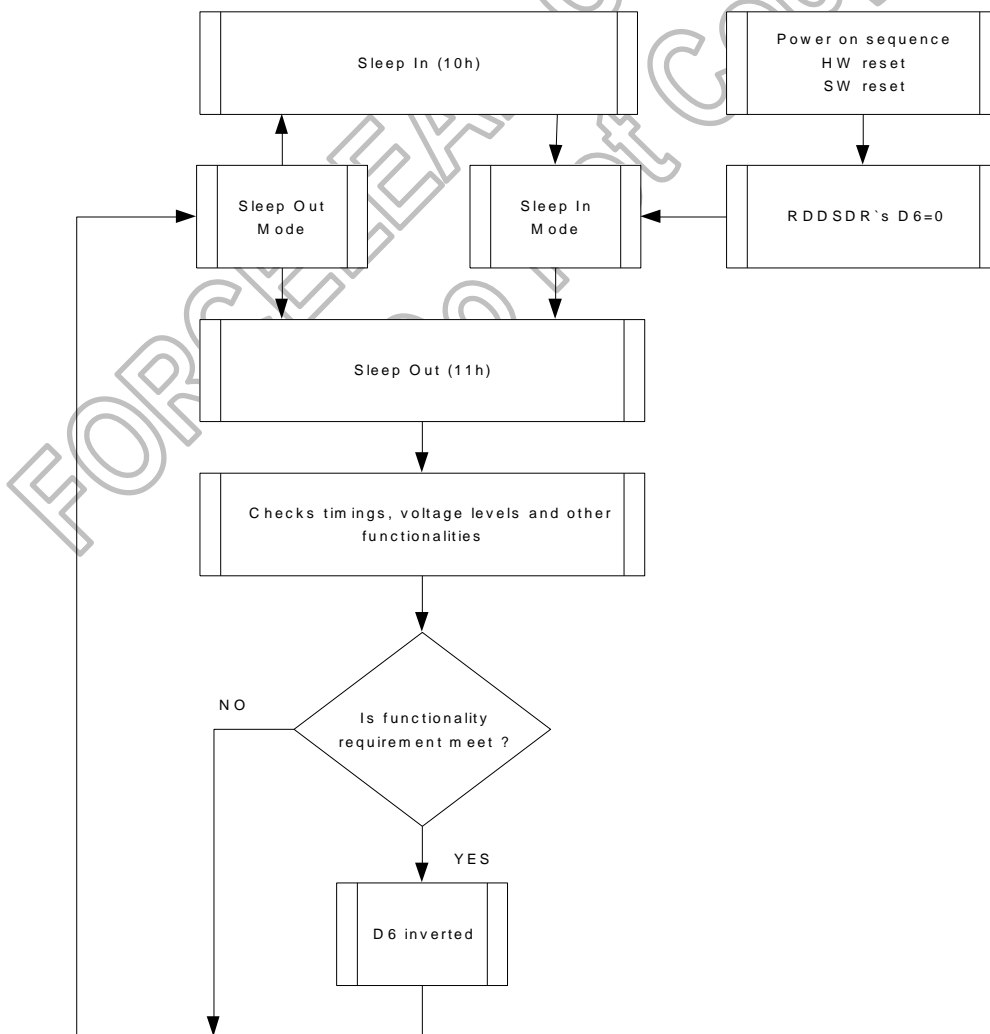


Figure 5-31: Sleep out flow chart internal function detection



5.6 Power on/off Sequence

Power source IOVCC, VCI can be applied and powered down in any order. IOVCC, VCI can be powered down in any order.

During power off, if LCD is in the Sleep Out mode, IOVCC, VCI must be powered down minimum 120msec after NRESET has been released.

During power off, if LCD is in the Sleep In mode, IOVCC, VCI can be powered down minimum 0msec after NRESET has been released.

NCS can be applied at any timing or can be permanently grounded. NRESET has priority over NCS.

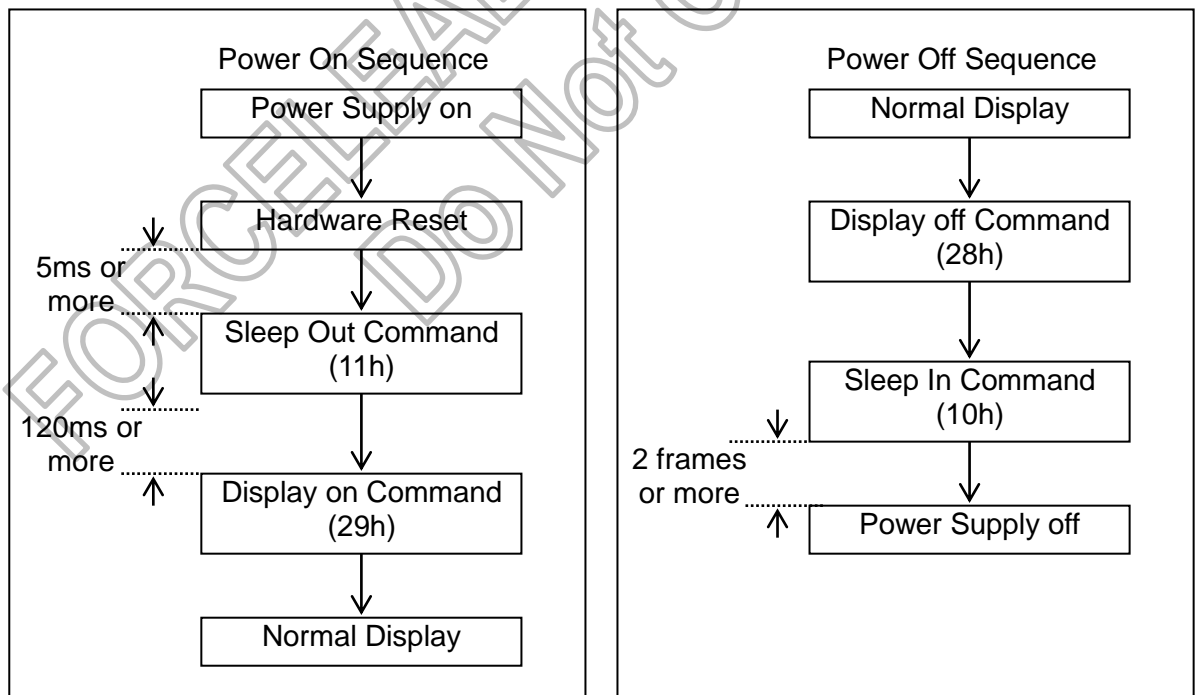


Figure 5-32: The power supply ON/OFF setting for Display ON/OFF and Sleep In/out



5.6.1 Case 1: RESX line is held high or unstable by host at power on

If RESX line is held high or unstable by the host during power on, then a Hardware Reset must be applied after both VDD1, VDD2 and VDD3 have been applied- otherwise correct functionality is not guaranteed. There is no timing restriction upon this hardware reset.

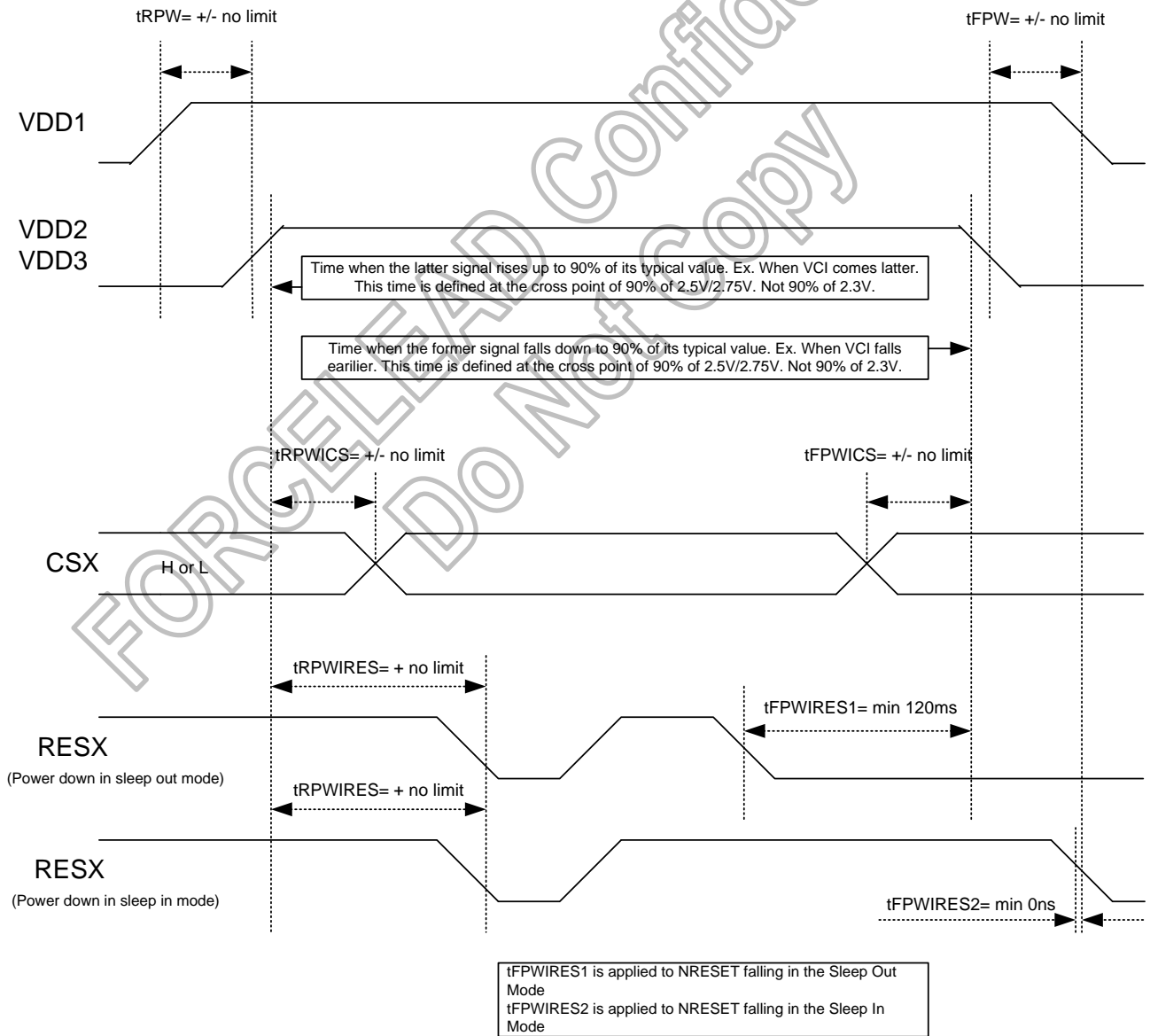
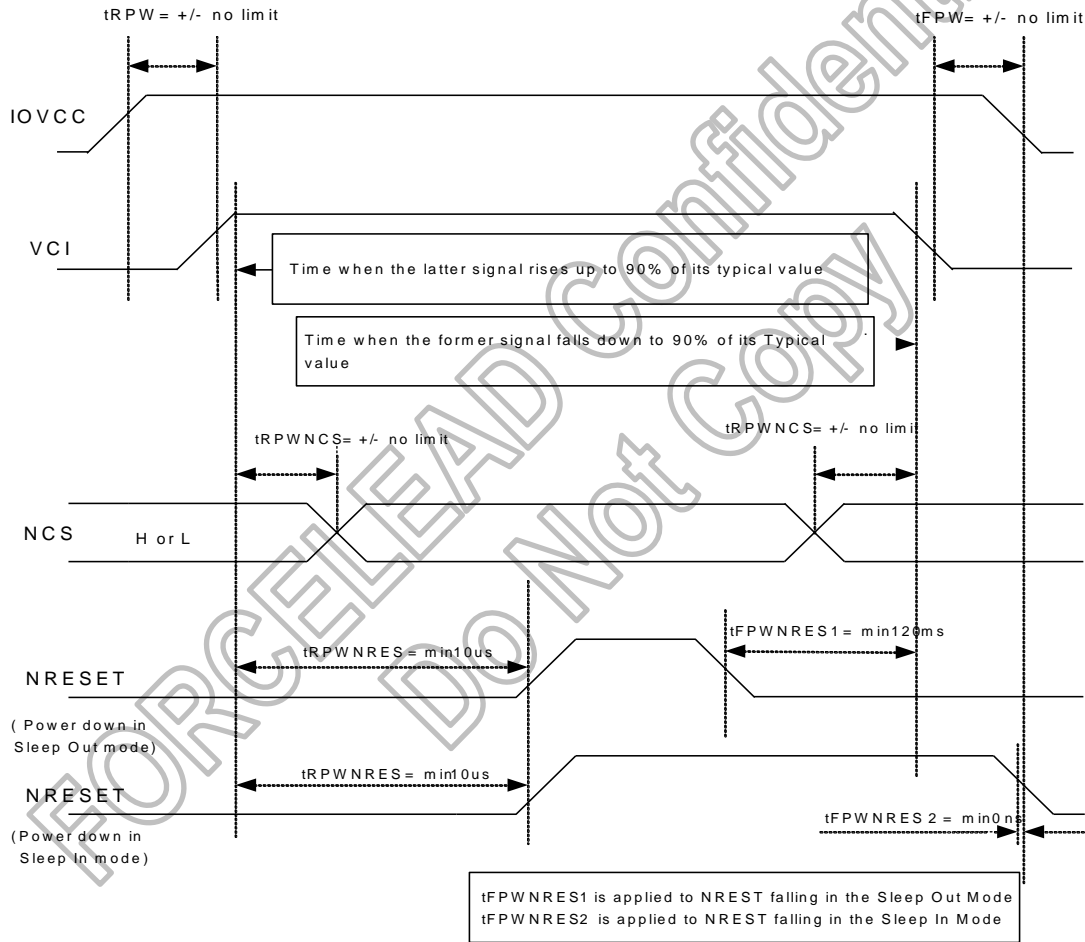


Figure 5-33: Case 1: RESX line is held high or unstable by host at power on



5.6.2 Case 2: RESX line is held low by host at power on

If RESX line is held low (and stable) by the host during power on, then the RESX must be held low for minimum 10µsec after both VDD1, VDD2 and VDD3 have been applied.



Note: Unless otherwise specified timings herein show cross point at 50% of signal/power level

Figure 5-34: Case 2: RESX line is held low by host at power on



5.7 Power Levels Definition

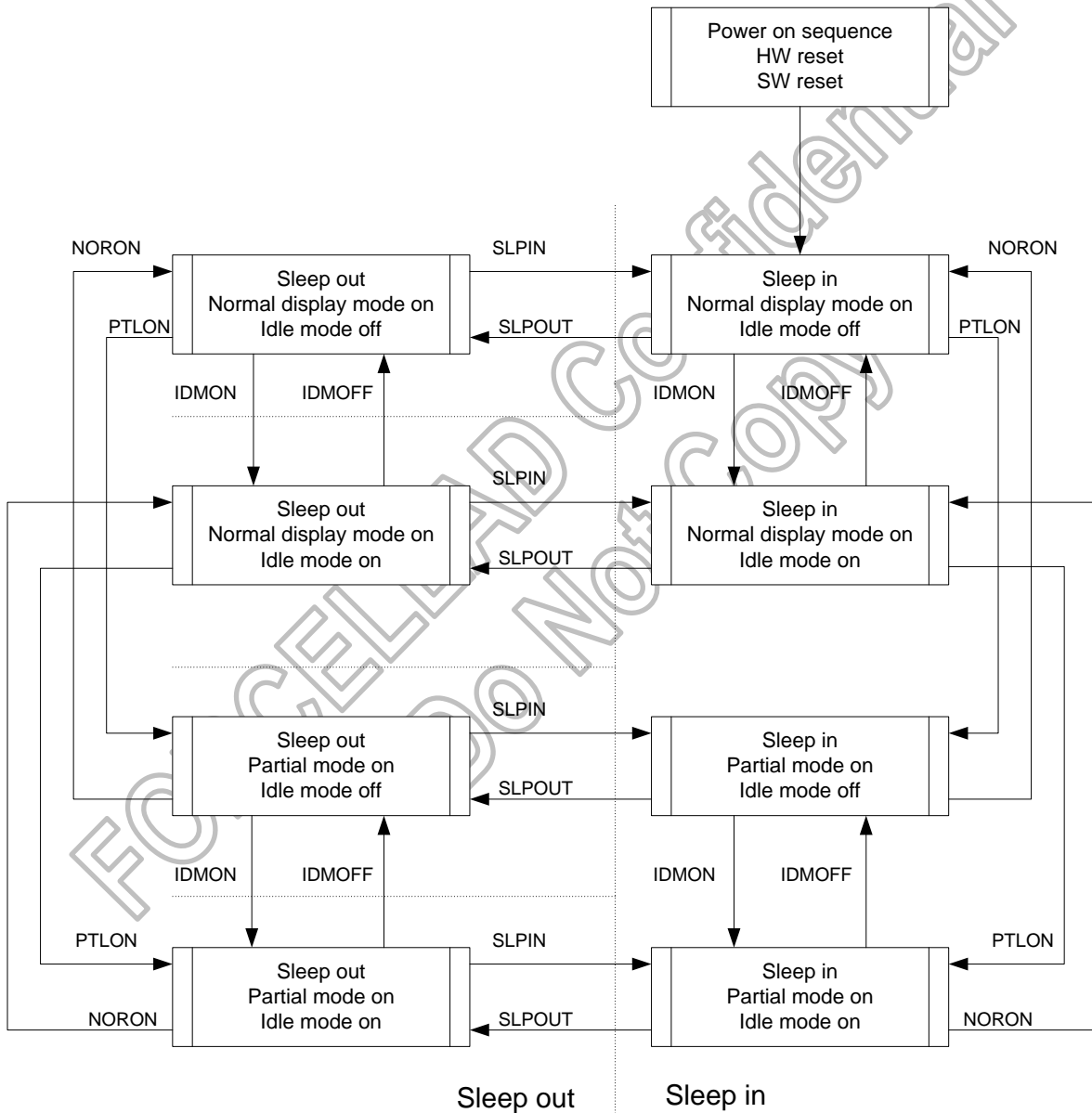


Figure 5-35: Power flow chart for different power modes



5.8 Reset function

5.8.1 Standard Command Default Value

Item	Register	After Power On	After Hardware Reset	After Software Reset	
RDNUMPE	05h	00h	00h	00h	
RDDPM	0Ah	08h	08h	08h	
RDDMADCTR	0Bh	00h	00h	No Change	
RDDCOLMOD	0Ch	70h	70h	No Change	
RDDIM	0Dh	00h	00h	00h	
RDDSM	0Eh	00h	00h	00h	
RDDSDR	0Fh	00h	00h	00h	
Sleep In/Out	10h/ 11h	In	In	In	
Display On/Off	29h/ 28h	Off	Off	Off	
Display mode (normal/partial)	13h/ 12h	Normal	Normal	Normal	
Display Inversion On/Off	21h/ 20h	Off	Off	Off	
All pixel On/Off	23/ 22h	Off	Off	Off	
Display Idle Mode On/Off	39/ 38h	Off	Off	Off	
Gamma setting	26H	GC0	GC0	GC0	
Memory Data Access Control (MY/MX/RGB)	36H	0/0/0/0/0	0/0/0/0/0	No Change	
Interface Pixel Color Format	3AH	70h	70h	No Change	
Display Brightness	51h/ 52h	00h	00h	00h	
CTRL Display	53h/ 54h	00h	00h	00h	
CABC Control	55h/ 56h	00h	00h	00h	
ID1	DAH	NO OTP	38h	38h	38h
		OTPed	OTP Value	OTP Value	OTP Value
ID2	DBH	NO OTP	21h	21h	21h
		OTPed	OTP Value	OTP Value	OTP Value
ID3	DCH	NO OTP	1Fh	1Fh	1Fh
		OTPed	OTP Value	OTP Value	OTP Value

Table 5-8: Standard Command Default Value

**5.8.2 Input Pins**

Input pins	After Power On	After Hardware Reset	After Software Reset
RESX	Input valid	Input valid	Input valid
HS_DSI_D0P HS_DSI_D0P	Input valid	Input valid	Input valid
HS_DSI_D1P HS_DSI_D1P	Input valid	Input valid	Input valid
HS_DSI_D2P HS_DSI_D2P	Input valid	Input valid	Input valid
HS_DSI_D3P HS_DSI_D3N	Input valid	Input valid	Input valid
HS_DSI_CP HS_DSI_CN	Input valid	Input valid	Input valid

Table 5-9: Characteristics of Input Pins**5.8.3 Output or Bi-directional Pins**

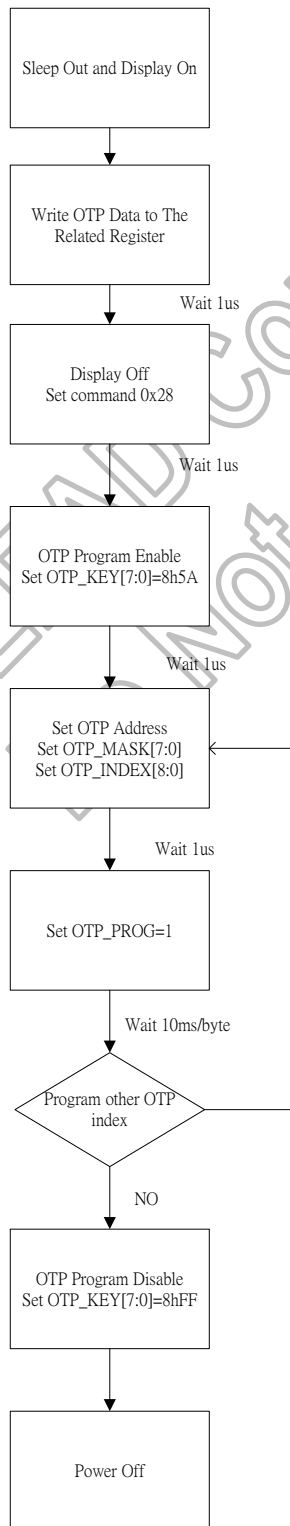
Output or Bi-directional pins	After Power On	After Hardware Reset	After Software Reset
Source Output	VSSA	VSSA	VSSA
DSI_D0P DSI_D0P	High-Z (Inactive)	High-Z (Inactive)	High-Z (Inactive)
CGOUTL1~22	VSSA	VSSA	VSSA
CGOUTR1~22	VSSA	VSSA	VSSA

Table 5-10: Characteristics of Output or Bi-direction Pins



5.9 OTP Sequence

5.9.1 OTP Sequence





5.9.2 OTP Standard Programming Table

Programming Index (Hex)	D7	D6	D5	D4	D3	D2	D1	D0	Storage Index (Hex)
01	ID1_1[7:0]								01
	ID2_1[7:0]								02
	ID3_1[7:0]								03
	ID1_2[7:0]								04
	ID2_2[7:0]								05
	ID3_2[7:0]								06
	ID1_3[7:0]								07
	ID2_3[7:0]								08
	ID3_3[7:0]								09
	ID1_4[7:0]								0A
	ID2_4[7:0]								0B
	ID3_4[7:0]								0C
0D	VCOM_F1[7:0]								0D
	VCOM_B1[7:0]								0E
	VCOM_F2[7:0]								0F
	VCOM_B2[7:0]								10
	VCOM_F3[7:0]								11
	VCOM_B3[7:0]								12
	VCOM_F4[7:0]								13
VCOM_B4[7:0]								14	

5.10 CABC

This driver IC provides a dynamic backlight control function as CABC (Content adaptive brightness control) to reduce the power consumption of the luminance source. There are two module architectures for CABC operation as below figure.

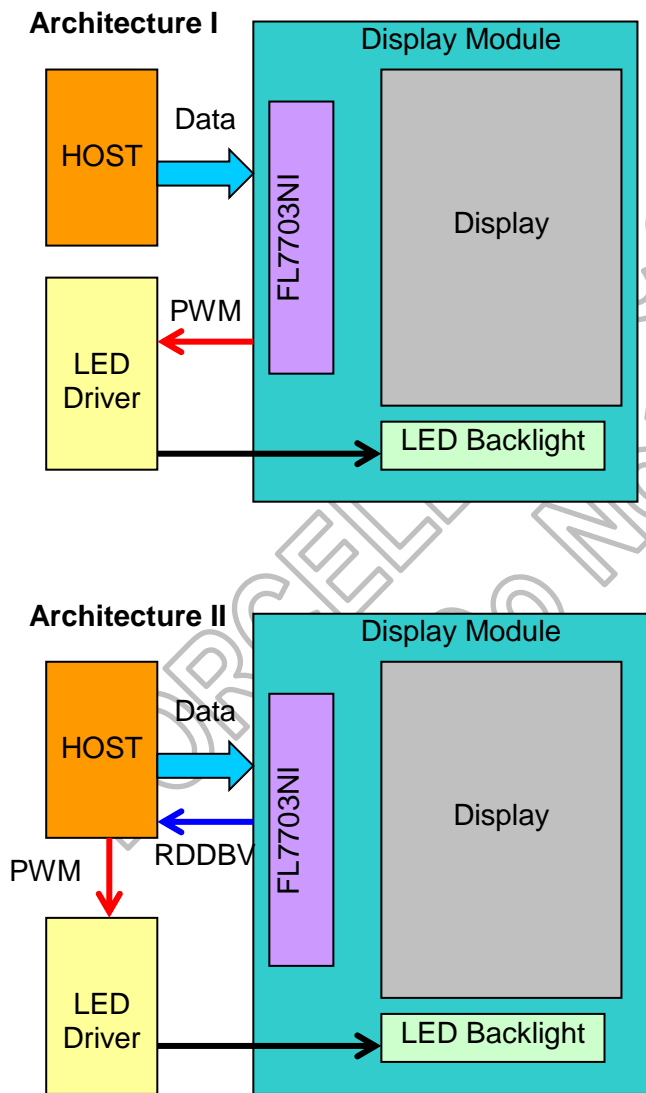


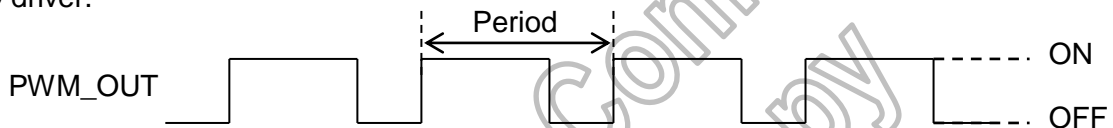
Figure 5-36: Two kinds of CABC Architecture



The driver IC will refer the gray scale content of display image to output a PWM waveform to LED driver for backlight brightness control. The PWM frequency can be adjusted by PWM_DIV parameters and the calculating equation as below:

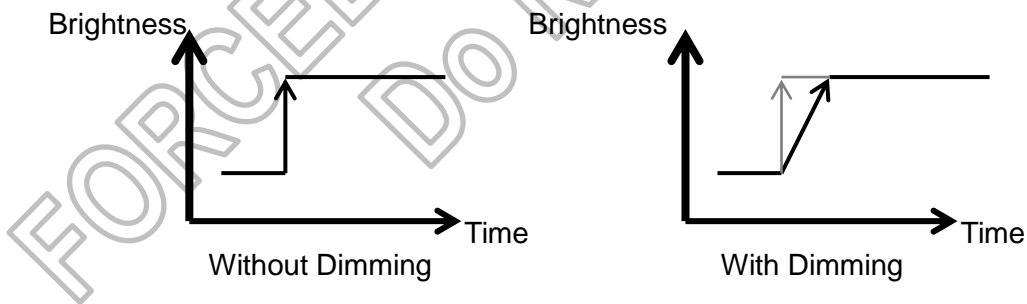
$$F_{pwm_out} = \frac{36MHz / (2^{PWM_DIV[2:0]})}{(PWM_PERIOD[7:0]+1) \times 255}$$

The figure in the following is the basic timing diagram which is applied FL7703NI to control LED driver.



Display Backlight Dimming Control

A dimming function is used when changing from brightness level to another. This dimming function curve is the same in increment and decrement directions. Dimming function can be enabled and disabled by software register. The basic idea is described below.





6. Command Description

6.1 Command Table

Standard Command

(Hex)	Operation code	R/W	D7	D6	D5	D4	D3	D2	D1	D0	Function	Default (Hex)
00h	NOP	W	0	0	0	0	0	0	0	0	No Operation	-
01h	SWRESET	W	0	0	0	0	0	0	0	1	Software Reset	-
			0	0	0	0	0	1	0	0	Read Display ID	-
04h	RDDIDIF	R	ID1[7:0]							ID1		38h
			ID2[7:0]							ID2		21h
			ID3[7:0]							ID3		1Fh
0Ah	RDDPM	R	0	0	0	0	1	0	1	0	Read display power mode	-
			D7	D6	D5	D4	D3	D2	0	0	-	08h
0Bh	RDDMADCTL	R	0	0	0	0	1	0	1	1	Read display MADCTL	-
			D7	D6	D5	D4	D3	D2	0	0	-	00h
0Ch	RDDCOLMOD	R	0	0	0	0	1	1	0	0	Read display pixel format	-
			-	D6	D5	D4	-	-	-	-	-	70h
0Dh	RDDIM	R	0	0	0	0	1	1	0	1	Read display image mode	-
			D7	D6	D5	0	0	D2	D1	D0	-	00h
0Eh	RDDSM	R	0	0	0	0	1	1	1	0	Read display signal mode	-
			D7	D6	0	0	0	0	0	D0	-	00h
0Fh	RDDSDR	R	0	0	0	0	1	1	1	1	Read display self-diagnostic result	-
			D7	D6	0	0	0	0	0	D0	-	00h
10h	SLPIN	W	0	0	0	1	0	0	0	0	Sleep In	-
11h	SLPOUT	W	0	0	0	1	0	0	0	1	Sleep Out	-



(Hex)	Operation code	R/W	D7	D6	D5	D4	D3	D2	D1	D0	Function	Default (Hex)
13h	NORON	W	0	0	0	1	0	0	1	1	Normal Display mode	-
20h	INVOFF	W	0	0	1	0	0	0	0	0	Display inversion off	-
21h	INVON	W	0	0	1	0	0	0	0	1	Display inversion on	-
22h	ALLPOFF	W	0	0	1	0	0	0	1	0	All pixel off	-
23h	ALLPON	W	0	0	1	0	0	0	1	1	All pixel on	-
28h	DISPOFF	W	0	0	1	0	1	0	0	0	Display off	-
29h	DISPON	W	0	0	1	0	1	0	0	1	Display on	-
36h	MADCTL	W	0	0	1	1	0	1	1	0	Memory Access Control	-
			MY	MX	x	x	RGB	x	x	x		00h
38h	IDMOFF	W	0	0	1	1	1	0	0	0	Idle mode off	-
39h	IDMON	W	0	0	1	1	1	0	0	1	Idle mode on	-
51h	WRDISBV	W	0	1	0	1	0	0	0	1	Write display brightness value	-
			DBV1 [7]	DBV1 [6]	DBV1 [5]	DBV1 [4]	DBV1 [3]	DBV1 [2]	DBV1 [1]	DBV1 [0]		00h
			DBV2 [7]	DBV2 [6]	DBV2 [5]	DBV2 [4]	DBV2 [3]	DBV2 [2]	DBV2 [1]	DBV2 [0]		00h
52h	RDRDISBV	R	0	1	0	1	0	0	1	0	Read display brightness value	-
			DBV1 [7]	DBV1 [6]	DBV1 [5]	DBV1 [4]	DBV1 [3]	DBV1 [2]	DBV1 [1]	DBV1 [0]		00h
			DBV2 [7]	DBV2 [6]	DBV2 [5]	DBV2 [4]	DBV2 [3]	DBV2 [2]	DBV2 [1]	DBV2 [0]		00h
53h	WRCTRLD	W	0	1	0	1	0	0	1	1	Write CTRL display	-
			x	x	BCTRL	x	x	DD	BL	x		00h
54h	RDCTRLD	R	0	1	0	1	0	1	0	0	Read CTRL display	-
			x	x	BCTRL	x	x	DD	BL	x		00h
55h	WRCABC	W	0	1	0	1	0	1	0	1	Write CABC mode	-
			x	x	x	x	x	x	C1	C0		00h
56h	RDCABC	R	0	1	0	1	0	1	1	0	Read CABC mode	-
			x	x	x	x	x	x	C1	C0		00h
5Eh	WRCABCMB	W	0	1	0	1	1	1	1	0	Write CABC minimum brightness	-
			CMB1 [7]	CMB1 [6]	CMB1 [5]	CMB1 [4]	CMB1 [3]	CMB1 [2]	CMB1 [1]	CMB1 [0]		00h
			CMB2 [7]	CMB2 [6]	CMB2 [5]	CMB2 [4]	CMB2 [3]	CMB2 [2]	CMB2 [1]	CMB2 [0]		00h
5Fh	RDCABCMB	R	0	1	0	1	1	1	1	1	Read CABC minimum brightness	-
			CMB1 [7]	CMB1 [6]	CMB1 [5]	CMB1 [4]	CMB1 [3]	CMB1 [2]	CMB1 [1]	CMB1 [0]		00h
			CMB2 [7]	CMB2 [6]	CMB2 [5]	CMB2 [4]	CMB2 [3]	CMB2 [2]	CMB2 [1]	CMB2 [0]		00h
68h	RDABCSDR	R	0	1	0	1	0	1	1	0	Read ABC Self-diagnostic result	-
			D7	D6	x	x	x	x	x	x		00h
70	RDBWLB	R	0	1	1	1	0	0	0	0	Read Black/White Low Bits	-
			Bkx1	Bkx0	Bky1	Bky0	Wx1	Wx0	Wy1	Wy0		-
71	RDBkx	R	0	1	1	1	0	0	0	1	Read Bkx	-
			Bkx9	Bkx8	Bkx7	Bkx6	Bkx5	Bkx4	Bkx3	Bkx2		-
72	RDBky	R	0	1	1	1	0	0	1	0	Read Bky	-
			Bky9	Bky8	Bky7	Bky6	Bky5	Bky4	Bky3	Bky2		-
73	RDWx	R	0	1	1	1	0	0	1	1	Read Wx	-
			Wx9	Wx8	Wx7	Wx6	Wx5	Wx4	Wx3	Wx2		-
74	RDWy	R	0	1	1	1	0	1	0	0	Read Wy	-
			Wy9	Wy8	Wy7	Wy6	Wy5	Wy4	Wy3	Wy2		-
75	RDRGLB	R	0	1	1	1	0	1	0	1	Read Red/Green Low Bits	-
			Rx1	Rx0	Ry1	Rx0	Gx1	Gx0	Gy1	Gy0		-
76	RDRx	R	0	1	1	1	0	1	1	0	Read Rx	-
			Rx9	Rx8	Rx7	Rx6	Rx5	Rx4	Rx3	Rx2		-



(Hex)	Operation code	R/W	D7	D6	D5	D4	D3	D2	D1	D0	Function	Default (Hex)
77	RDRy	R	0	1	1	1	0	1	1	1	Read Ry	-
			Ry9	Ry8	Ry7	Ry6	Ry5	Ry4	Ry3	Ry2		-
78	RDGx	R	0	1	1	1	1	0	0	0	Read Gx	-
			Gx9	Gx8	Gx7	Gx6	Gx5	Gx4	Gx3	Gx2		-
79	RDRy	R	0	1	1	1	1	0	0	1	Read Gy	-
			Gy9	Gy8	Gy7	Gy6	Gy5	Gy4	Gy3	Gy2		-
7A	RDBALB	R	0	1	1	1	1	0	1	0	Read Blue/AColour Low Bits	-
			Bx1	Bx0	By1	Bx0	Ax1	Ax0	Ay1	Ay0		-
7B	RDBx	R	0	1	1	1	1	0	1	1	Read Bx	-
			Bx9	Bx8	Bx7	Bx6	Bx5	Bx4	Bx3	Bx2		-
7C	RDBy	R	0	1	1	1	1	1	0	0	Read By	-
			By9	By8	By7	By6	By5	By4	By3	By2		-
7D	RDAx	R	0	1	1	1	1	1	0	1	Read Ax	-
			Ax9	Ax8	Ax7	Ax6	Ax5	Ax4	Ax3	Ax2		-
7E	RDAY	R	0	1	1	1	1	1	1	0	Read Ay	-
			Ay9	Ay8	Ay7	Ay6	Ay5	Ay4	Ay3	Ay2		-
A1	Read_DDB_start	R	1	0	1	0	0	0	0	1	Read the DDB from the provided location.	-
			x	x	x	x	x	x	x	x		-
			x	x	x	x	x	x	x	x		00h
			x	x	x	x	x	x	x	x		00h
			x	x	x	x	x	x	x	x		00h
			1	1	1	1	1	1	1	1		FFh
A8	Read_DDB_continue	R	1	0	1	0	1	0	0	0	Continue reading the DDB from the last read location.	-
			x	x	x	x	x	x	x	x		00h
			x	x	x	x	x	x	x	x		00h
			x	x	x	x	x	x	x	x		00h
			x	x	x	x	x	x	x	x		00h
AA	RDFCS	R	FCS[7:0]								Read First Checksum	00h
AF	RDCCS	R	1	0	1	0	1	1	0	0	Read Continue Checksum	00h
DA	RDID1	R	1	1	0	1	1	0	1	0	Read ID1	-
			module's manufacturer[7:0]									78h
DB	RDID2	R	1	1	0	1	1	0	1	1	Read ID2	-
			LCD module/driver version [7:0]									21h
DC	RDID3	R	1	1	0	1	1	1	0	0	Read ID3	-
			LCD module/driver ID[7:0]									1Fh

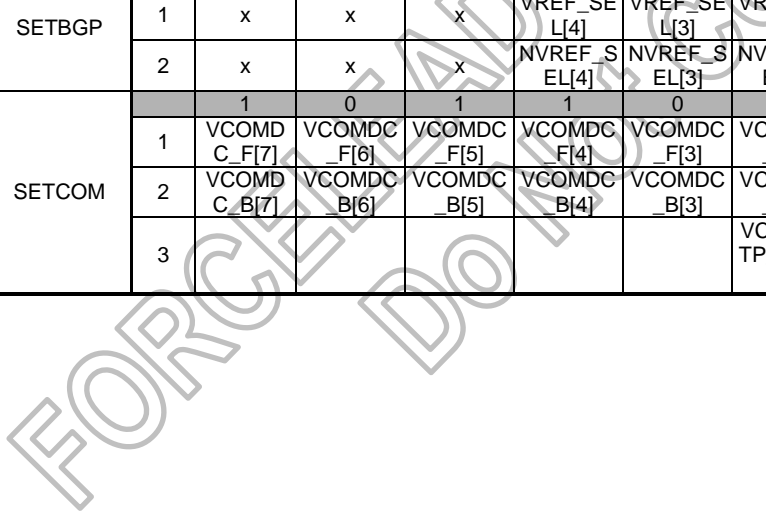


User Command

(Hex)	Operation code	Para.	D7	D6	D5	D4	D3	D2	D1	D0	Default (Hex)
B9h	SETEXTC		1	0	1	1	1	0	0	1	-
		1	EXTC1[7]	EXTC1[6]	EXTC1[5]	EXTC1[4]	EXTC1[3]	EXTC1[2]	EXTC1[1]	EXTC1[0]	00
		2	EXTC2[7]	EXTC2[6]	EXTC2[5]	EXTC2[4]	EXTC2[3]	EXTC2[2]	EXTC2[1]	EXTC2[0]	00
B1h	SETAPPLEID	3	EXTC3[7]	EXTC3[6]	EXTC3[5]	EXTC3[4]	EXTC3[3]	EXTC3[2]	EXTC3[1]	EXTC3[0]	00
			1	0	1	1	0	0	0	1	-
		1	APPLE_ID1[7]	APPLE_ID1[6]	APPLE_ID1[5]	APPLE_ID1[4]	APPLE_ID1[3]	APPLE_ID1[2]	APPLE_ID1[1]	APPLE_ID1[0]	00
		2	APPLE_ID2[7]	APPLE_ID2[6]	APPLE_ID2[5]	APPLE_ID2[4]	APPLE_ID2[3]	APPLE_ID2[2]	APPLE_ID2[1]	APPLE_ID2[0]	00
		3	APPLE_ID3[7]	APPLE_ID3[6]	APPLE_ID3[5]	APPLE_ID3[4]	APPLE_ID3[3]	APPLE_ID3[2]	APPLE_ID3[1]	APPLE_ID3[0]	00
		4	APPLE_ID4[7]	APPLE_ID4[6]	APPLE_ID4[5]	APPLE_ID4[4]	APPLE_ID4[3]	APPLE_ID4[2]	APPLE_ID4[1]	APPLE_ID4[0]	00
		5	APPLE_ID5[7]	APPLE_ID5[6]	APPLE_ID5[5]	APPLE_ID5[4]	APPLE_ID5[3]	APPLE_ID5[2]	APPLE_ID5[1]	APPLE_ID5[0]	00
		6	APPLE_ID6[7]	APPLE_ID6[6]	APPLE_ID6[5]	APPLE_ID6[4]	APPLE_ID6[3]	APPLE_ID6[2]	APPLE_ID6[1]	APPLE_ID6[0]	00
		7	APPLE_ID7[7]	APPLE_ID7[6]	APPLE_ID7[5]	APPLE_ID7[4]	APPLE_ID7[3]	APPLE_ID7[2]	APPLE_ID7[1]	APPLE_ID7[0]	00
		8	APPLE_ID8[7]	APPLE_ID8[6]	APPLE_ID8[5]	APPLE_ID8[4]	APPLE_ID8[3]	APPLE_ID8[2]	APPLE_ID8[1]	APPLE_ID8[0]	00
		9	APPLE_ID9[7]	APPLE_ID9[6]	APPLE_ID9[5]	APPLE_ID9[4]	APPLE_ID9[3]	APPLE_ID9[2]	APPLE_ID9[1]	APPLE_ID9[0]	00
		10	APPLE_ID10[7]	APPLE_ID10[6]	APPLE_ID10[5]	APPLE_ID10[4]	APPLE_ID10[3]	APPLE_ID10[2]	APPLE_ID10[1]	APPLE_ID10[0]	00
		11	APPLE_ID11[7]	APPLE_ID11[6]	APPLE_ID11[5]	APPLE_ID11[4]	APPLE_ID11[3]	APPLE_ID11[2]	APPLE_ID11[1]	APPLE_ID11[0]	00
		12	APPLE_ID12[7]	APPLE_ID12[6]	APPLE_ID12[5]	APPLE_ID12[4]	APPLE_ID12[3]	APPLE_ID12[2]	APPLE_ID12[1]	APPLE_ID12[0]	00
		13	APPLE_ID13[7]	APPLE_ID13[6]	APPLE_ID13[5]	APPLE_ID13[4]	APPLE_ID13[3]	APPLE_ID13[2]	APPLE_ID13[1]	APPLE_ID13[0]	00
14	APPLE_ID14[7]	APPLE_ID14[6]	APPLE_ID14[5]	APPLE_ID14[4]	APPLE_ID14[3]	APPLE_ID14[2]	APPLE_ID14[1]	APPLE_ID14[0]	00		
15	APPLE_ID15[7]	APPLE_ID15[6]	APPLE_ID15[5]	APPLE_ID15[4]	APPLE_ID15[3]	APPLE_ID15[2]	APPLE_ID15[1]	APPLE_ID15[0]	00		
B2h	SETDISP		1	0	1	1	0	0	1	0	-
		1	NL[7]	NL[6]	NL[5]	NL[4]	NL[3]	NL[2]	NL[1]	NL[0]	C8
		2	RES_V_LSB[1]	RES_V_LSB[0]	BLK_CON[1]	BLK_CON[0]	RESO_SE_L[3]	RESO_SE_L[2]	RESO_SE_L[1]	RESO_SE_L[0]	02
		3	WHITE_GND_EN	WHITE_FRAME_SEL[2]	WHITE_FRAME_SEL[1]	WHITE_FRAME_SEL[0]	RES_V_MSB	ISC[2]	ISC[1]	ISC[0]	A0
		4	LINE_MIN[9]	LINE_MIN[8]	LINE_MIN[7]	LINE_MIN[6]	LINE_MIN[5]	LINE_MIN[4]	LINE_MIN[3]	LINE_MIN[2]	00
		5	LINE_MAX[9]	LINE_MAX[8]	LINE_MAX[7]	LINE_MAX[6]	LINE_MAX[5]	LINE_MAX[4]	LINE_MAX[3]	LINE_MAX[2]	00
6	x	x	x	x	LINE_MIN[1]	LINE_MIN[0]	LINE_MAX[1]	LINE_MAX[0]	00		



(Hex)	Operation code	Para.	D7	D6	D5	D4	D3	D2	D1	D0	Default (Hex)
B3h	SETRGBIF		1	0	1	1	0	0	1	1	
		1	VBP_RGB_GEN[7]	VBP_RGB_GEN[6]	VBP_RGB_GEN[5]	VBP_RGB_GEN[4]	VBP_RGB_GEN[3]	VBP_RGB_GEN[2]	VBP_RGB_GEN[1]	VBP_RGB_GEN[0]	28
		2	VFP_RGB_GEN[7]	VFP_RGB_GEN[6]	VFP_RGB_GEN[5]	VFP_RGB_GEN[4]	VFP_RGB_GEN[3]	VFP_RGB_GEN[2]	VFP_RGB_GEN[1]	VFP_RGB_GEN[0]	28
		3	DE_BP_RGB_GEN[7]	DE_BP_RGB_GEN[6]	DE_BP_RGB_GEN[5]	DE_BP_RGB_GEN[4]	DE_BP_RGB_GEN[3]	DE_BP_RGB_GEN[2]	DE_BP_RGB_GEN[1]	DE_BP_RGB_GEN[0]	28
B4h	SETCYC		1	0	1	1	0	1	0	0	
		1	ZINV_S2401_EN	ZINV_G_EVEN_EN	ZINV_EN	ZINV2_EN	x	N_NW[2]	N_NW[1]	N_NW[0]	80
		2	x	x	OPON_DLY[1]	OPON_DLY[0]	x	I_NW[2]	I_NW[1]	I_NW[0]	00
			1	0	1	1	0	1	0	1	
B5h	SETBGP	1	x	x	x	VREF_SEL[4]	VREF_SEL[3]	VREF_SEL[2]	VREF_SEL[1]	VREF_SEL[0]	09
		2	x	x	x	NVREF_SEL[4]	NVREF_SEL[3]	NVREF_SEL[2]	NVREF_SEL[1]	NVREF_SEL[0]	09
B6h	SETCOM		1	0	1	1	0	1	1	0	
		1	VCOMDC_F[7]	VCOMDC_F[6]	VCOMDC_F[5]	VCOMDC_F[4]	VCOMDC_F[3]	VCOMDC_F[2]	VCOMDC_F[1]	VCOMDC_F[0]	4D
		2	VCOMDC_B[7]	VCOMDC_B[6]	VCOMDC_B[5]	VCOMDC_B[4]	VCOMDC_B[3]	VCOMDC_B[2]	VCOMDC_B[1]	VCOMDC_B[0]	4D
	3						VCOM_OTP_TIME[2]	VCOM_OTP_TIME[1]	VCOM_OTP_TIME[0]	00	





(Hex)	Operation code	Para.	D7	D6	D5	D4	D3	D2	D1	D0	Default (Hex)
B7h	SETOTP		1	0	1	1	0	1	1	1	-
		1	OTP_KEY[7]	OTP_KEY[6]	OTP_KEY[5]	OTP_KEY[4]	OTP_KEY[3]	OTP_KEY[2]	OTP_KEY[1]	OTP_KEY[0]	FF
		2	OTP_MASK[7]	OTP_MASK[6]	OTP_MASK[5]	OTP_MASK[4]	OTP_MASK[3]	OTP_MASK[2]	OTP_MASK[1]	OTP_MASK[0]	00
		3	PSPR_VPP	VPP_SEL[2]	VPP_SEL[1]	VPP_SEL[0]	x	x	x	OTP_IND_EX[8]	30
		4	OTP_IND_EX[7]	OTP_IND_EX[6]	OTP_IND_EX[5]	OTP_IND_EX[4]	OTP_IND_EX[3]	OTP_IND_EX[2]	OTP_IND_EX[1]	OTP_IND_EX[0]	00
		5	Load_DIS	VPP_EN	OTP_SEL	OTP_PWE	OTP_PTM[1]	OTP_PTM[0]	OTP_POR	OTP_POR	00
		6	OTP_DATA[7]	OTP_DATA[6]	OTP_DATA[5]	OTP_DATA[4]	OTP_DATA[3]	OTP_DATA[2]	OTP_DATA[1]	OTP_DATA[0]	00
B8h	SET POWER_EX T		1	0	1	1	1	0	0	0	
		1	x	PCCS[2]	PCCS[1]	PCCS[0]	ECP_DC_DIV[3]	ECP_DC_DIV[2]	ECP_DC_DIV[1]	ECP_DC_DIV[0]	24
		2	VSP_FBN	SINGLE_PUMP	DT[1]	DT[0]	SYNC_STB	XDK_ECP[1]	XDK_ECP[0]	x	22
		3	LINE_PERIOD_TO_L[3]	LINE_PERIOD_TO_L[2]	LINE_PERIOD_TO_L[1]	LINE_PERIOD_TO_L[0]	CPR_EN	PFM_DC_DIV[2]	PFM_DC_DIV[1]	PFM_DC_DIV[0]	00
		4	REDUCE_PERIOD_CNT[3]	REDUCE_PERIOD_CNT[2]	REDUCE_PERIOD_CNT[1]	REDUCE_PERIOD_CNT[0]	FULL_PUMP_EN	WITHOUT_NOPUMP_EN	ECP_SYNC_EN	VGX_SYNC_EN	03
		5	A_DC[1]	A_DC[0]	A_DTP[2]	A_DTP[1]	A_DTP[0]	A_DTN[2]	A_DTN[1]	A_DTN[0]	ED
		6	DCS[1]	DCS[0]	DTPS[2]	DTPS[1]	DTPS[0]	DTNS[2]	DTNS[1]	DTNS[0]	00
BAh	SET MIPI		1	0	1	1	1	0	1	0	
		1	HOSTTYPE	CD_DLY	x	CRC_Ena ble	VC_Main[1]	VC_Main[0]	Lane_Nu mber[1]	Lane_Nu mber[0]	33
		2	DSI_LDO_SEL[2]	DSI_LDO_SEL[1]	DSI_LDO_SEL[0]	LPTX_DR[2]	LPTX_DR[1]	LPTX_DR[0]	RTERM[1]	RTERM[0]	61
		3	x	x	x	X	IHSRX[3]	IHSRX[2]	IHSRX[1]	IHSRX[0]	06
		4	DSI_HFP_OTP	Txs_Wait[2]	Txs_Wait[1]	Txs_Wait[0]	Tx_clk_sel[1]	Tx_clk_sel[0]	VBP_OSC_EN	VFP_OSC_EN	F9
		5	HFP_OSC[7]	HFP_OSC[6]	HFP_OSC[5]	HFP_OSC[4]	HFP_OSC[3]	HFP_OSC[2]	HFP_OSC[1]	HFP_OSC[0]	FF
		6	HBP_OSC[7]	HBP_OSC[6]	HBP_OSC[5]	HBP_OSC[4]	HBP_OSC[3]	HBP_OSC[2]	HBP_OSC[1]	HBP_OSC[0]	0A
BCh	SET VDC		1	0	1	1	1	1	0	0	
		1	x	NVDDD_SEL[2]	NVDDD_SEL[1]	NVDDD_SEL[0]	ENDR_VDDD	VDDD_SEL[2]	VDDD_SEL[1]	VDDD_SEL[0]	47



(Hex)	Operation code	Para.	D7	D6	D5	D4	D3	D2	D1	D0	Default (Hex)
C0h	SETSCR		1	1	0	0	0	0	0	0	-
		1	N_POPO N[7]	N_POPO N[6]	N_POPO N[5]	N_POPO N[4]	N_POPO N[3]	N_POPO N[2]	N_POPO N[1]	N_POPO N[0]	73
		2	N_NOPO N[7]	N_NOPO N[6]	N_NOPO N[5]	N_NOPO N[4]	N_NOPO N[3]	N_NOPO N[2]	N_NOPO N[1]	N_NOPO N[0]	73
		3	I_POPON[7]	I_POPON[6]	I_POPON[5]	I_POPON[4]	I_POPON[3]	I_POPON[2]	I_POPON[1]	I_POPON[0]	50
		4	I_NOPON[7]	I_NOPON[6]	I_NOPON[5]	I_NOPON[4]	I_NOPON[3]	I_NOPON[2]	I_NOPON[1]	I_NOPON[0]	50
		5	SCR[31]	SCR[30]	SCR[29]	SCR[28]	SCR[27]	SCR[26]	SCR[25]	SCR[24]	C0
		6	SCR[23]	SCR[22]	SCR[21]	SCR[20]	SCR[19]	SCR[18]	SCR[17]	SCR[16]	00
		7	SCR[15]	SCR[14]	SCR[13]	SCR[12]	SCR[11]	SCR[10]	SCR[9]	SCR[8]	08
		8	SCR[7]	SCR[6]	SCR[5]	SCR[4]	SCR[3]	SCR[2]	SCR[1]	SCR[0]	70
C1h	SETPOWER		1	1	0	0	0	0	0	1	-
		1	VBTHS[3]	VBTHS[2]	VBTHS[1]	VBTHS[0]	VBTLS[3]	VBTLS[2]	VBTLS[1]	VBTLS[0]	53
		2	FBOFF_V GH	FBOFF_V GL	x	x	x	x	x	x	53
		3	x	x	VRP[5]	VRP[4]	VRP[3]	VRP[2]	VRP[1]	VRP[0]	C0
		4	x	x	VRN[5]	VRN[4]	VRN[3]	VRN[2]	VRN[1]	VRN[0]	16
		5	VSPS[3]	VSPS[2]	VSPS[1]	VSPS[0]	VSNS[3]	VSNS[2]	VSNS[1]	VSNS[0]	16
		6	VGL_DET EN	VGH_DET EN	VGL_TUR BO	VGH_TU RBO	x	APS[2]	APS[1]	APS[0]	77
		7	VGH1_L_DIV[3]	VGH1_L_DIV[2]	VGH1_L_DIV[1]	VGH1_L_DIV[0]	VGL1_L_DIV[3]	VGL1_L_DIV[2]	VGL1_L_DIV[1]	VGL1_L_DIV[0]	D1
		8	VGH1_R_DIV[3]	VGH1_R_DIV[2]	VGH1_R_DIV[1]	VGH1_R_DIV[0]	VGL1_R_DIV[3]	VGL1_R_DIV[2]	VGL1_R_DIV[1]	VGL1_R_DIV[0]	CC
		9	VGH2_L_DIV[3]	VGH2_L_DIV[2]	VGH2_L_DIV[1]	VGH2_L_DIV[0]	VGL2_L_DIV[3]	VGL2_L_DIV[2]	VGL2_L_DIV[1]	VGL2_L_DIV[0]	DD
		10	VGH2_R_DIV[3]	VGH2_R_DIV[2]	VGH2_R_DIV[1]	VGH2_R_DIV[0]	VGL2_R_DIV[3]	VGL2_R_DIV[2]	VGL2_R_DIV[1]	VGL2_R_DIV[0]	67
		11	VGH3_L_DIV[3]	VGH3_L_DIV[2]	VGH3_L_DIV[1]	VGH3_L_DIV[0]	VGL3_L_DIV[3]	VGL3_L_DIV[2]	VGL3_L_DIV[1]	VGL3_L_DIV[0]	77
		12	VGH3_R_DIV[3]	VGH3_R_DIV[2]	VGH3_R_DIV[1]	VGH3_R_DIV[0]	VGL3_R_DIV[3]	VGL3_R_DIV[2]	VGL3_R_DIV[1]	VGL3_R_DIV[0]	33
		13	VGH4_L_DIV[3]	VGH4_L_DIV[2]	VGH4_L_DIV[1]	VGH4_L_DIV[0]	VGL4_L_DIV[3]	VGL4_L_DIV[2]	VGL4_L_DIV[1]	VGL4_L_DIV[0]	33
		14	VGH4_R_DIV[3]	VGH4_R_DIV[2]	VGH4_R_DIV[1]	VGH4_R_DIV[0]	VGL4_R_DIV[3]	VGL4_R_DIV[2]	VGL4_R_DIV[1]	VGL4_R_DIV[0]	11
		15	VGH5_L_DIV[3]	VGH5_L_DIV[2]	VGH5_L_DIV[1]	VGH5_L_DIV[0]	VGL5_L_DIV[3]	VGL5_L_DIV[2]	VGL5_L_DIV[1]	VGL5_L_DIV[0]	11
16	VGH5_R_DIV[3]	VGH5_R_DIV[2]	VGH5_R_DIV[1]	VGH5_R_DIV[0]	VGL5_R_DIV[3]	VGL5_R_DIV[2]	VGL5_R_DIV[1]	VGL5_R_DIV[0]	00		
C3h	SETID		1	1	0	0	0	0	1	1	-
		1	ID1[7]	ID1[6]	ID1[5]	ID1[4]	ID1[3]	ID1[2]	ID1[1]	ID1[0]	38h
		2	ID2[7]	ID2[6]	ID2[5]	ID2[4]	ID2[3]	ID2[2]	ID2[1]	ID2[0]	21h
		3	ID3[7]	ID3[6]	ID3[5]	ID3[4]	ID3[3]	ID3[2]	ID3[1]	ID3[0]	1Fh
		4					ID_TIMES 2	ID_TIMES 1	ID_TIMES 0		
C4h	SETDDB		1	1	0	0	0	1	0	0	-
		1	DDB1[7]	DDB1[6]	DDB1[5]	DDB1[4]	DDB1[3]	DDB1[2]	DDB1[1]	DDB1[0]	00h
		2	DDB2[7]	DDB2[6]	DDB2[5]	DDB2[4]	DDB2[3]	DDB2[2]	DDB2[1]	DDB2[0]	00h
		3	DDB3[7]	DDB3[6]	DDB3[5]	DDB3[4]	DDB3[3]	DDB3[2]	DDB3[1]	DDB3[0]	00h
		4	DDB4[7]	DDB4[6]	DDB4[5]	DDB4[4]	DDB4[3]	DDB4[2]	DDB4[1]	DDB4[0]	00h



(Hex)	Operation code	Para.	D7	D6	D5	D4	D3	D2	D1	D0	Default (Hex)
C6h	SETECO		1	1	0	0	0	1	1	0	
		1	ECO0[7]	ECO0[6]	ECO0[5]	ECO0[4]	ECO0[3]	ECO0[2]	ECO0[1]	ECO0[0]	01
		2	ECO1[7]	ECO1[6]	ECO1[5]	ECO1[4]	ECO1[3]	ECO1[2]	ECO1[1]	ECO1[0]	00
		3	ECO2[7]	ECO2[6]	ECO2[5]	ECO2[4]	ECO2[3]	ECO2[2]	ECO2[1]	ECO2[0]	CF
		4	ECO3[7]	ECO3[6]	ECO3[5]	ECO3[4]	ECO3[3]	ECO3[2]	ECO3[1]	ECO3[0]	FF
		5	ECO4[7]	ECO4[6]	ECO4[5]	ECO4[4]	ECO4[3]	ECO4[2]	ECO4[1]	ECO4[0]	00
		6	ECO5[7]	ECO5[6]	ECO5[5]	ECO5[4]	ECO5[3]	ECO5[2]	ECO5[1]	ECO5[0]	FF
C7h	SETIO		1	1	0	0	0	1	1	1	-
		1	PWM_OE	x	INVPWM	VOUT_OE	HOUT_OE				00
		2	x	V_DELAY[2]	V_DELAY[1]	V_DELAY[0]	SMRPS_IPHONE	H_DELAY[2]	H_DELAY[1]	H_DELAY[0]	00
C8h	SETCABC		1	1	0	0	1	0	0	0	
		1	x	PWMDIV[2]	PWMDIV[1]	PWMDIV[0]	PWMDLY_sel[2]	PWMDLY_sel[1]	PWMDLY_sel[0]	DBV_MSB_TYPE	10
	2	PWM_PERIOD[7]	PWM_PERIOD[6]	PWM_PERIOD[5]	PWM_PERIOD[4]	PWM_PERIOD[3]	PWM_PERIOD[2]	PWM_PERIOD[1]	PWM_PERIOD[0]	40	
CBh	SETCLOCK		1	1	0	0	1	0	1	1	
1	OSC_DIV2	FORCE_ULP[2]	FORCE_ULP[1]	FORCE_ULP[0]	x	FRADJ[2]	FRADJ[1]	FRADJ[0]	03		
CCh	SETPANEL		1	1	0	0	1	1	0	0	
1	x	x	x	x	SS_PANEL	GS_PANEL	REV_PANEL	BGR_PANEL	00h		

FORCELEAD Do Not



(Hex)	Operation code	Para.	D7	D6	D5	D4	D3	D2	D1	D0	Default (Hex)
			1	1	0	0	1	1	0	1	
CDh	DGC_R	1	x	x	x	x	x	DITH_EN	DITH_OP_T	DGC_EN	00
		2	DGC_LUT_R00[7]	DGC_LUT_R00[6]	DGC_LUT_R00[5]	DGC_LUT_R00[4]	DGC_LUT_R00[3]	DGC_LUT_R00[2]	DGC_LUT_R00[1]	DGC_LUT_R00[0]	80
		3	DGC_LUT_R01[7]	DGC_LUT_R01[6]	DGC_LUT_R01[5]	DGC_LUT_R01[4]	DGC_LUT_R01[3]	DGC_LUT_R01[2]	DGC_LUT_R01[1]	DGC_LUT_R01[0]	80
		4	DGC_LUT_R02[7]	DGC_LUT_R02[6]	DGC_LUT_R02[5]	DGC_LUT_R02[4]	DGC_LUT_R02[3]	DGC_LUT_R02[2]	DGC_LUT_R02[1]	DGC_LUT_R02[0]	80
		:	:	:	:	:	:	:	:	:	:
		10	DGC_LUT_R08[7]	DGC_LUT_R08[6]	DGC_LUT_R08[5]	DGC_LUT_R08[4]	DGC_LUT_R08[3]	DGC_LUT_R08[2]	DGC_LUT_R08[1]	DGC_LUT_R08[0]	80
		11	DGC_LUT_R09[7]	DGC_LUT_R09[6]	DGC_LUT_R09[5]	DGC_LUT_R09[4]	DGC_LUT_R09[3]	DGC_LUT_R09[2]	DGC_LUT_R09[1]	DGC_LUT_R09[0]	80
		12	DGC_LUT_R10[7]	DGC_LUT_R10[6]	DGC_LUT_R10[5]	DGC_LUT_R10[4]	DGC_LUT_R10[3]	DGC_LUT_R10[2]	DGC_LUT_R10[1]	DGC_LUT_R10[0]	80
		13	DGC_LUT_R11[7]	DGC_LUT_R11[6]	DGC_LUT_R11[5]	DGC_LUT_R11[4]	DGC_LUT_R11[3]	DGC_LUT_R11[2]	DGC_LUT_R11[1]	DGC_LUT_R11[0]	80
		:	:	:	:	:	:	:	:	:	:
		20	DGC_LUT_R18[7]	DGC_LUT_R18[6]	DGC_LUT_R18[5]	DGC_LUT_R18[4]	DGC_LUT_R18[3]	DGC_LUT_R18[2]	DGC_LUT_R18[1]	DGC_LUT_R18[0]	80
		21	DGC_LUT_R19[7]	DGC_LUT_R19[6]	DGC_LUT_R19[5]	DGC_LUT_R19[4]	DGC_LUT_R19[3]	DGC_LUT_R19[2]	DGC_LUT_R19[1]	DGC_LUT_R19[0]	80
		22	DGC_LUT_R20[7]	DGC_LUT_R20[6]	DGC_LUT_R20[5]	DGC_LUT_R20[4]	DGC_LUT_R20[3]	DGC_LUT_R20[2]	DGC_LUT_R20[1]	DGC_LUT_R20[0]	80
		23	DGC_LUT_R21[7]	DGC_LUT_R21[6]	DGC_LUT_R21[5]	DGC_LUT_R21[4]	DGC_LUT_R21[3]	DGC_LUT_R21[2]	DGC_LUT_R21[1]	DGC_LUT_R21[0]	80
		:	:	:	:	:	:	:	:	:	:
		31	DGC_LUT_R29[7]	DGC_LUT_R29[6]	DGC_LUT_R29[5]	DGC_LUT_R29[4]	DGC_LUT_R29[3]	DGC_LUT_R29[2]	DGC_LUT_R29[1]	DGC_LUT_R29[0]	80
		32	DGC_LUT_R30[7]	DGC_LUT_R30[6]	DGC_LUT_R30[5]	DGC_LUT_R30[4]	DGC_LUT_R30[3]	DGC_LUT_R30[2]	DGC_LUT_R30[1]	DGC_LUT_R30[0]	80
		33	DGC_LUT_R31[7]	DGC_LUT_R31[6]	DGC_LUT_R31[5]	DGC_LUT_R31[4]	DGC_LUT_R31[3]	DGC_LUT_R31[2]	DGC_LUT_R31[1]	DGC_LUT_R31[0]	80
		34	DGC_LUT_R32[7]	DGC_LUT_R32[6]	DGC_LUT_R32[5]	DGC_LUT_R32[4]	DGC_LUT_R32[3]	DGC_LUT_R32[2]	DGC_LUT_R32[1]	DGC_LUT_R32[0]	80
		CEh	DGC_G		1	1	0	0	1	1	1
1	DGC_LUT_G00[7]			DGC_LUT_G00[6]	DGC_LUT_G00[5]	DGC_LUT_G00[4]	DGC_LUT_G00[3]	DGC_LUT_G00[2]	DGC_LUT_G00[1]	DGC_LUT_G00[0]	80
2	DGC_LUT_G01[7]			DGC_LUT_G01[6]	DGC_LUT_G01[5]	DGC_LUT_G01[4]	DGC_LUT_G01[3]	DGC_LUT_G01[2]	DGC_LUT_G01[1]	DGC_LUT_G01[0]	80
3	DGC_LUT_G02[7]			DGC_LUT_G02[6]	DGC_LUT_G02[5]	DGC_LUT_G02[4]	DGC_LUT_G02[3]	DGC_LUT_G02[2]	DGC_LUT_G02[1]	DGC_LUT_G02[0]	80
4	DGC_LUT_G03[7]			DGC_LUT_G03[6]	DGC_LUT_G03[5]	DGC_LUT_G03[4]	DGC_LUT_G03[3]	DGC_LUT_G03[2]	DGC_LUT_G03[1]	DGC_LUT_G03[0]	80
:	:			:	:	:	:	:	:	:	:
10	DGC_LUT_G09[7]			DGC_LUT_G09[6]	DGC_LUT_G09[5]	DGC_LUT_G09[4]	DGC_LUT_G09[3]	DGC_LUT_G09[2]	DGC_LUT_G09[1]	DGC_LUT_G09[0]	80
11	DGC_LUT_G10[7]			DGC_LUT_G10[6]	DGC_LUT_G10[5]	DGC_LUT_G10[4]	DGC_LUT_G10[3]	DGC_LUT_G10[2]	DGC_LUT_G10[1]	DGC_LUT_G10[0]	80
12	DGC_LUT_G11[7]			DGC_LUT_G11[6]	DGC_LUT_G11[5]	DGC_LUT_G11[4]	DGC_LUT_G11[3]	DGC_LUT_G11[2]	DGC_LUT_G11[1]	DGC_LUT_G11[0]	80
13	DGC_LUT_G12[7]			DGC_LUT_G12[6]	DGC_LUT_G12[5]	DGC_LUT_G12[4]	DGC_LUT_G12[3]	DGC_LUT_G12[2]	DGC_LUT_G12[1]	DGC_LUT_G12[0]	80
:	:			:	:	:	:	:	:	:	:
19	DGC_LUT_G18[7]			DGC_LUT_G18[6]	DGC_LUT_G18[5]	DGC_LUT_G18[4]	DGC_LUT_G18[3]	DGC_LUT_G18[2]	DGC_LUT_G18[1]	DGC_LUT_G18[0]	80
20	DGC_LUT_G19[7]			DGC_LUT_G19[6]	DGC_LUT_G19[5]	DGC_LUT_G19[4]	DGC_LUT_G19[3]	DGC_LUT_G19[2]	DGC_LUT_G19[1]	DGC_LUT_G19[0]	80
21	DGC_LUT_G20[7]			DGC_LUT_G20[6]	DGC_LUT_G20[5]	DGC_LUT_G20[4]	DGC_LUT_G20[3]	DGC_LUT_G20[2]	DGC_LUT_G20[1]	DGC_LUT_G20[0]	80
22	DGC_LUT_G21[7]			DGC_LUT_G21[6]	DGC_LUT_G21[5]	DGC_LUT_G21[4]	DGC_LUT_G21[3]	DGC_LUT_G21[2]	DGC_LUT_G21[1]	DGC_LUT_G21[0]	80
:	:			:	:	:	:	:	:	:	:
30	DGC_LUT_G29[7]			DGC_LUT_G29[6]	DGC_LUT_G29[5]	DGC_LUT_G29[4]	DGC_LUT_G29[3]	DGC_LUT_G29[2]	DGC_LUT_G29[1]	DGC_LUT_G29[0]	80
31	DGC_LUT_G30[7]			DGC_LUT_G30[6]	DGC_LUT_G30[5]	DGC_LUT_G30[4]	DGC_LUT_G30[3]	DGC_LUT_G30[2]	DGC_LUT_G30[1]	DGC_LUT_G30[0]	80



		32	DGC_LUT _G31[7]	DGC_LUT _G31[6]	DGC_LUT _G31[5]	DGC_LUT _G31[4]	DGC_LUT _G31[3]	DGC_LUT _G31[2]	DGC_LUT _G31[1]	DGC_LUT _G31[0]	80	
		33	DGC_LUT _G32[7]	DGC_LUT _G32[6]	DGC_LUT _G32[5]	DGC_LUT _G32[4]	DGC_LUT _G32[3]	DGC_LUT _G32[2]	DGC_LUT _G32[1]	DGC_LUT _G32[0]	80	
			1	1	0	0	1	1	1	1		
CFh	DGC_B	1	DGC_LUT _B00[7]	DGC_LUT _B00[6]	DGC_LUT _B00[5]	DGC_LUT _B00[4]	DGC_LUT _B00[3]	DGC_LUT _B00[2]	DGC_LUT _B00[1]	DGC_LUT _B00[0]	80	
		2	DGC_LUT _B01[7]	DGC_LUT _B01[6]	DGC_LUT _B01[5]	DGC_LUT _B01[4]	DGC_LUT _B01[3]	DGC_LUT _B01[2]	DGC_LUT _B01[1]	DGC_LUT _B01[0]	80	
		3	DGC_LUT _B02[7]	DGC_LUT _B02[6]	DGC_LUT _B02[5]	DGC_LUT _B02[4]	DGC_LUT _B02[3]	DGC_LUT _B02[2]	DGC_LUT _B02[1]	DGC_LUT _B02[0]	80	
		4	DGC_LUT _B03[7]	DGC_LUT _B03[6]	DGC_LUT _B03[5]	DGC_LUT _B03[4]	DGC_LUT _B03[3]	DGC_LUT _B03[2]	DGC_LUT _B03[1]	DGC_LUT _B03[0]	80	
		:	:	:	:	:	:	:	:	:	:	
		10	DGC_LUT _B09[7]	DGC_LUT _B09[6]	DGC_LUT _B09[5]	DGC_LUT _B09[4]	DGC_LUT _B09[3]	DGC_LUT _B09[2]	DGC_LUT _B09[1]	DGC_LUT _B09[0]	80	
		11	DGC_LUT _B10[7]	DGC_LUT _B10[6]	DGC_LUT _B10[5]	DGC_LUT _B10[4]	DGC_LUT _B10[3]	DGC_LUT _B10[2]	DGC_LUT _B10[1]	DGC_LUT _B10[0]	80	
		12	DGC_LUT _B11[7]	DGC_LUT _B11[6]	DGC_LUT _B11[5]	DGC_LUT _B11[4]	DGC_LUT _B11[3]	DGC_LUT _B11[2]	DGC_LUT _B11[1]	DGC_LUT _B11[0]	80	
		13	DGC_LUT _B12[7]	DGC_LUT _B12[6]	DGC_LUT _B12[5]	DGC_LUT _B12[4]	DGC_LUT _B12[3]	DGC_LUT _B12[2]	DGC_LUT _B12[1]	DGC_LUT _B12[0]	80	
		:	:	:	:	:	:	:	:	:	:	
		19	DGC_LUT _B18[7]	DGC_LUT _B18[6]	DGC_LUT _B18[5]	DGC_LUT _B18[4]	DGC_LUT _B18[3]	DGC_LUT _B18[2]	DGC_LUT _B18[1]	DGC_LUT _B18[0]	80	
		20	DGC_LUT _B19[7]	DGC_LUT _B19[6]	DGC_LUT _B19[5]	DGC_LUT _B19[4]	DGC_LUT _B19[3]	DGC_LUT _B19[2]	DGC_LUT _B19[1]	DGC_LUT _B19[0]	80	
		21	DGC_LUT _B20[7]	DGC_LUT _B20[6]	DGC_LUT _B20[5]	DGC_LUT _B20[4]	DGC_LUT _B20[3]	DGC_LUT _B20[2]	DGC_LUT _B20[1]	DGC_LUT _B20[0]	80	
		:	:	:	:	:	:	:	:	:	:	
		30	DGC_LUT _B29[7]	DGC_LUT _B29[6]	DGC_LUT _B29[5]	DGC_LUT _B29[4]	DGC_LUT _B29[3]	DGC_LUT _B29[2]	DGC_LUT _B29[1]	DGC_LUT _B29[0]	80	
		31	DGC_LUT _B30[7]	DGC_LUT _B30[6]	DGC_LUT _B30[5]	DGC_LUT _B30[4]	DGC_LUT _B30[3]	DGC_LUT _B30[2]	DGC_LUT _B30[1]	DGC_LUT _B30[0]	80	
		32	DGC_LUT _B31[7]	DGC_LUT _B31[6]	DGC_LUT _B31[5]	DGC_LUT _B31[4]	DGC_LUT _B31[3]	DGC_LUT _B31[2]	DGC_LUT _B31[1]	DGC_LUT _B31[0]	80	
		33	DGC_LUT _B32[7]	DGC_LUT _B32[6]	DGC_LUT _B32[5]	DGC_LUT _B32[4]	DGC_LUT _B32[3]	DGC_LUT _B32[2]	DGC_LUT _B32[1]	DGC_LUT _B32[0]	80	



(Hex)	Operation code	Para.	D7	D6	D5	D4	D3	D2	D1	D0	Default (Hex)
			1	1	0	0	0	0	0	1	
E0h	SETGAMMA	1	x	x	PVR0[5]	PVR0[4]	PVR0[3]	PVR0[2]	PVR0[1]	PVR0[0]	00
		2	x	x	PVR1[5]	PVR1[4]	PVR1[3]	PVR1[2]	PVR1[1]	PVR1[0]	11
		3	x	x	PVR2[5]	PVR2[4]	PVR2[3]	PVR2[2]	PVR2[1]	PVR2[0]	17
		4	x	x	PVR3[5]	PVR3[4]	PVR3[3]	PVR3[2]	PVR3[1]	PVR3[0]	2C
		5	x	x	PVR4[5]	PVR4[4]	PVR4[3]	PVR4[2]	PVR4[1]	PVR4[0]	32
		6	x	x	PVR5[5]	PVR5[4]	PVR5[3]	PVR5[2]	PVR5[1]	PVR5[0]	3F
		7	x	PPR0[6]	PPR0[5]	PPR0[4]	PPR0[3]	PPR0[2]	PPR0[1]	PPR0[0]	49
		8	x	PPR1[6]	PPR1[5]	PPR1[4]	PPR1[3]	PPR1[2]	PPR1[1]	PPR1[0]	3E
		9	x	x	x	PPK0[4]	PPK0[3]	PPK0[2]	PPK0[1]	PPK0[0]	07
		10	x	x	x	PPK1[4]	PPK1[3]	PPK1[2]	PPK1[1]	PPK1[0]	0D
		11	x	x	x	PPK2[4]	PPK2[3]	PPK2[2]	PPK2[1]	PPK2[0]	0E
		12	x	x	x	PPK3[4]	PPK3[3]	PPK3[2]	PPK3[1]	PPK3[0]	12
		13	x	x	x	PPK4[4]	PPK4[3]	PPK4[2]	PPK4[1]	PPK4[0]	13
		14	x	x	x	PPK5[4]	PPK5[3]	PPK5[2]	PPK5[1]	PPK5[0]	11
		15	x	x	x	PPK6[4]	PPK6[3]	PPK6[2]	PPK6[1]	PPK6[0]	13
		16	x	x	x	PPK7[4]	PPK7[3]	PPK7[2]	PPK7[1]	PPK7[0]	10
		17	x	x	x	PPK8[4]	PPK8[3]	PPK8[2]	PPK8[1]	PPK8[0]	17
		18	x	x	NVR0[5]	NVR0[4]	NVR0[3]	NVR0[2]	NVR0[1]	NVR0[0]	00
		19	x	x	NVR1[5]	NVR1[4]	NVR1[3]	NVR1[2]	NVR1[1]	NVR1[0]	11
		20	x	x	NVR2[5]	NVR2[4]	NVR2[3]	NVR2[2]	NVR2[1]	NVR2[0]	17
		21	x	x	NVR3[5]	NVR3[4]	NVR3[3]	NVR3[2]	NVR3[1]	NVR3[0]	2C
		22	x	x	NVR4[5]	NVR4[4]	NVR4[3]	NVR4[2]	NVR4[1]	NVR4[0]	32
		23	x	x	NVR5[5]	NVR5[4]	NVR5[3]	NVR5[2]	NVR5[1]	NVR5[0]	3F
		24	x	NPR0[6]	NPR0[5]	NPR0[4]	NPR0[3]	NPR0[2]	NPR0[1]	NPR0[0]	49
		25	x	NPR1[6]	NPR1[5]	NPR1[4]	NPR1[3]	NPR1[2]	NPR1[1]	NPR1[0]	3E
		26	x	x	x	NPK0[4]	NPK0[3]	NPK0[2]	NPK0[1]	NPK0[0]	07
		27	x	x	x	NPK1[4]	NPK1[3]	NPK1[2]	NPK1[1]	NPK1[0]	0D
		28	x	x	x	NPK2[4]	NPK2[3]	NPK2[2]	NPK2[1]	NPK2[0]	0E
		29	x	x	x	NPK3[4]	NPK3[3]	NPK3[2]	NPK3[1]	NPK3[0]	12
		30	x	x	x	NPK4[4]	NPK4[3]	NPK4[2]	NPK4[1]	NPK4[0]	13
		31	x	x	x	NPK5[4]	NPK5[3]	NPK5[2]	NPK5[1]	NPK5[0]	11
		32	x	x	x	NPK6[4]	NPK6[3]	NPK6[2]	NPK6[1]	NPK6[0]	13
		33	x	x	x	NPK7[4]	NPK7[3]	NPK7[2]	NPK7[1]	NPK7[0]	10
		34	x	x	x	NPK8[4]	NPK8[3]	NPK8[2]	NPK8[1]	NPK8[0]	17



(Hex)	Operation code	Para.	D7	D6	D5	D4	D3	D2	D1	D0	Default (Hex)
E3h	SETEQ		1	1	1	0	0	0	1	1	-
		1	PNOEQ[7]	PNOEQ[6]	PNOEQ[5]	PNOEQ[4]	PNOEQ[3]	PNOEQ[2]	PNOEQ[1]	PNOEQ[0]	00
		2	NNOEQ[7]	NNOEQ[6]	PEQEQ[5]	NNOEQ[4]	NNOEQ[3]	NNOEQ[2]	NNOEQ[1]	NNOEQ[0]	00
		3	PEQGND[7]	PEQGND[6]	PEQGND[5]	PEQGND[4]	PEQGND[3]	PEQGND[2]	PEQGND[1]	PEQGND[0]	03
		4	NEQGND[7]	NEQGND[6]	NEQGND[5]	NEQGND[4]	NEQGND[3]	NEQGND[2]	NEQGND[1]	NEQGND[0]	03
		5	PEQVCI[7]	PEQVCI[6]	PEQVCI[5]	PEQVCI[4]	PEQVCI[3]	PEQVCI[2]	PEQVCI[1]	PEQVCI[0]	03
		6	NEQVCI[7]	NEQVCI[6]	NEQVCI[5]	NEQVCI[4]	NEQVCI[3]	NEQVCI[2]	NEQVCI[1]	NEQVCI[0]	03
		7	PEQVCI1[7]	PEQVCI1[6]	PEQVCI1[5]	PEQVCI1[4]	PEQVCI1[3]	PEQVCI1[2]	PEQVCI1[1]	PEQVCI1[0]	03
		8	NEQVCI1[7]	NEQVCI1[6]	NEQVCI1[5]	NEQVCI1[4]	NEQVCI1[3]	NEQVCI1[2]	NEQVCI1[1]	NEQVCI1[0]	03
		9	VCOM_PU LLGNDOFF [7]	VCOM_PU LLGNDOFF [6]	VCOM_PU LLGNDOFF [5]	VCOM_PU LLGNDOFF [4]	VCOM_PU LLGNDOFF [3]	VCOM_PU LLGNDOFF [2]	VCOM_PU LLGNDOFF [1]	VCOM_PU LLGNDOFF [0]	00
		10	VCOM_PU LLGNDON[7]	VCOM_PU LLGNDON[6]	VCOM_PU LLGNDON[5]	VCOM_PU LLGNDON[4]	VCOM_PU LLGNDON[3]	VCOM_PU LLGNDON[2]	VCOM_PU LLGNDON[1]	VCOM_PU LLGNDON[0]	00
		11	VCOMIDLE ON[7]	VCOMIDLE ON[6]	VCOMIDLE ON[5]	VCOMIDLE ON[4]	VCOMIDLE ON[3]	VCOMIDLE ON[2]	VCOMIDLE ON[1]	VCOMIDLE ON[0]	FF
		12	EACH_OP ON_EN	EACH_VCI _EN	EACH_GN D_EN						80
		13	ESD_DET DATA_WHIT E	ESD_WHIT E_EN	ESD_OPT P[1]	ESD_OPT P[0]	ESD_OPT G[1]	ESD_OPT G[0]	x		C0
14			SLPIN_OP TION	VEDIO_NO CHECK_E N	ESD_WHIT E_GND_EN	ESD_DET_ TIME_SEL[1]	ESD_DET_ TIME_SEL[0]		14		
E4h	SET_ROI		1	1	1	0	0	1	0	0	-
		1	x	x	x	x	x	x	x	CE_MAS K	01
E5h	SETCOLOR _EN		1	1	1	0	0	1	0	1	-
		1	SP_LEVE L[1]	SP_LEVE L[0]	CE_EN	x	x	x	x	x	00
		2	x	x	x	x	x	x	x	x	00
		3	x	x	x	Blue_3[12]	Blue_3[11]	Blue_3[10]	Blue_3[9]	Blue_3[8]	08
		4	Blue_3[7]	Blue_3[6]	Blue_3[5]	Blue_3[4]	Blue_3[3]	Blue_3[2]	Blue_3[1]	Blue_3[0]	32
		5	x	x	x	Blue_2[12]	Blue_2[11]	Blue_2[10]	Blue_2[9]	Blue_2[8]	1c
		6	Blue_2[7]	Blue_2[6]	Blue_2[5]	Blue_2[4]	Blue_2[3]	Blue_2[2]	Blue_2[1]	Blue_2[0]	71
		7	x	x	x	Blue_1[12]	Blue_1[11]	Blue_1[10]	Blue_1[9]	Blue_1[8]	1F
		8	Blue_1[7]	Blue_1[6]	Blue_1[5]	Blue_1[4]	Blue_1[3]	Blue_1[2]	Blue_1[1]	Blue_1[0]	90
		9	x	x	x	Green_3[1 2]	Green_3[1 1]	Green_3[1 0]	Green_3[9]	Green_3[8]	1E
		10	Green_3[7]	Green_3[6]	Green_3[5]	Green_3[4]	Green_3[3]	Green_3[2]	Green_3[1]	Green_3[0]	CD
		11	x	x	x	Green_2[1 2]	Green_2[1 1]	Green_2[1 0]	Green_2[9]	Green_2[8]	07
		12	Green_2[7]	Green_2[6]	Green_2[5]	Green_2[4]	Green_2[3]	Green_2[2]	Green_2[1]	Green_2[0]	4C
		13	x	x	x	Green_1[1 2]	Green_1[1 1]	Green_1[1 0]	Green_1[9]	Green_1[8]	1E
		14	Green_1[7]	Green_1[6]	Green_1[5]	Green_1[4]	Green_1[3]	Green_1[2]	Green_1[1]	Green_1[0]	06
		15	x	x	x	Red_3[12]	Red_3[11]	Red_3[10]	Red_3[9]	Red_3[8]	1F
		16	Red_3[7]	Red_3[6]	Red_3[5]	Red_3[4]	Red_3[3]	Red_3[2]	Red_3[1]	Red_3[0]	66
		17	x	x	x	Red_2[12]	Red_2[11]	Red_2[10]	Red_2[9]	Red_2[8]	1E
		18	Red_2[7]	Red_2[6]	Red_2[5]	Red_2[4]	Red_2[3]	Red_2[2]	Red_2[1]	Red_2[0]	2A
		19	x	x	x	Red_1[12]	Red_1[11]	Red_1[10]	Red_1[9]	Red_1[8]	06
20	Red_1[7]	Red_1[6]	Red_1[5]	Red_1[4]	Red_1[3]	Red_1[2]	Red_1[1]	Red_1[0]	70		



(Hex)	Operation code	Para.	D7	D6	D5	D4	D3	D2	D1	D0	Default (Hex)
			1	1	1	0	1	0	0	1	-
		1	REF_EN	BLOCK_D ATA_EN			PANEL_S EL[3]	PANEL_S EL[2]	PANEL_S EL[1]	PANEL_S EL[0]	44
		2				SHR0[12]	SHR0[11]	SHR0[10]	SHR0[9]	SHR0[8]	00
		3	SHR0[7]	SHR0[6]	SHR0[5]	SHR0[4]	SHR0[3]	SHR0[2]	SHR0[1]	SHR0[0]	00
		4			x	SHR1[12]	SHR1[11]	SHR1[10]	SHR1[9]	SHR1[8]	00
		5	SHR1[7]	SHR1[6]	SHR1[5]	SHR1[4]	SHR1[3]	SHR1[2]	SHR1[1]	SHR1[0]	00
		6	SPON[7]	SPON[6]	SPON[5]	SPON[4]	SPON[3]	SPON[2]	SPON[1]	SPON[0]	00
		7	SPOFF[7]	SPOFF[6]	SPOFF[5]	SPOFF[4]	SPOFF[3]	SPOFF[2]	SPOFF[1]	SPOFF[0]	00
		8	SHR0_1[3]	SHR0_1[2]	SHR0_1[1]	SHR0_1[0]	SHR0_2[3]	SHR0_2[2]	SHR0_2[1]	SHR0_2[0]	00
		9	SHR0_3[3]	SHR0_3[2]	SHR0_3[1]	SHR0_3[0]	SHR1_1[3]	SHR1_1[2]	SHR1_1[1]	SHR1_1[0]	00
		10	SHR1_2[3]	SHR1_2[2]	SHR1_2[1]	SHR1_2[0]	SHR1_3[3]	SHR1_3[2]	SHR1_3[1]	SHR1_3[0]	00
		11	SHP[3]	SHP[2]	SHP[1]	SHP[0]	SCP[3]	SCP[2]	SCP[1]	SCP[0]	00
		12	CHR [7]	CHR [6]	CHR [5]	CHR [4]	CHR [3]	CHR [2]	CHR [1]	CHR [0]	02
		13	CON [7]	CON [6]	CON [5]	CON [4]	CON [3]	CON [2]	CON [1]	CON [0]	02
		14	COF [7]	COF [6]	COF [5]	COF [4]	COF [3]	COF [2]	COF [1]	COF [0]	00
		15	CHP[3]	CHP[2]	CHP[1]	CHP[0]	CCP[3]	CCP[2]	CCP[1]	CCP[0]	00
		16	USER_GI P_GATE[7]	USER_GI P_GATE[6]	USER_GI P_GATE[5]	USER_GI P_GATE[4]	USER_GI P_GATE[3]	USER_GI P_GATE[2]	USER_GI P_GATE[1]	USER_GI P_GATE[0]	00
		17	x	x	CGTS_L[2] 1	CGTS_L[2] 0	CGTS_L[1] 9	CGTS_L[1] 8	CGTS_L[1] 7	CGTS_L[1] 6	00
		18	CGTS_L[1] 5	CGTS_L[1] 4	CGTS_L[1] 3	CGTS_L[1] 2	CGTS_L[1] 1	CGTS_L[1] 0	CGTS_L[9]	CGTS_L[8]	00
		19	CGTS_L[7]]	CGTS_L[6]]	CGTS_L[5]]	CGTS_L[4]]	CGTS_L[3]]	CGTS_L[2]]	CGTS_L[1]]	CGTS_L[0]]	00
		20	x	x	CGTS_IN V_L[21]	CGTS_IN V_L[20]	CGTS_IN V_L[19]	CGTS_IN V_L[18]	CGTS_IN V_L[17]	CGTS_IN V_L[16]	00
		21	CGTS_IN V_L[15]	CGTS_IN V_L[14]	CGTS_IN V_L[13]	CGTS_IN V_L[12]	CGTS_IN V_L[11]	CGTS_IN V_L[10]	CGTS_IN V_L[9]	CGTS_IN V_L[8]	00
		22	CGTS_IN V_L[7]	CGTS_IN V_L[6]	CGTS_IN V_L[5]	CGTS_IN V_L[4]	CGTS_IN V_L[3]	CGTS_IN V_L[2]	CGTS_IN V_L[1]	CGTS_IN V_L[0]	00
		23	x	x	CGTS_R[21]	CGTS_R[20]	CGTS_R[19]	CGTS_R[18]	CGTS_R[17]	CGTS_R[16]	00
		24	CGTS_R[15]	CGTS_R[14]	CGTS_R[13]	CGTS_R[12]	CGTS_R[11]	CGTS_R[10]	CGTS_R[9]	CGTS_R[8]	00
		25	CGTS_R[7]	CGTS_R[6]	CGTS_R[5]	CGTS_R[4]	CGTS_R[3]	CGTS_R[2]	CGTS_R[1]	CGTS_R[0]	00
		26	x	x	CGTS_IN V_R[21]	CGTS_IN V_R[20]	CGTS_IN V_R[19]	CGTS_IN V_R[18]	CGTS_IN V_R[17]	CGTS_IN V_R[16]	00
		27	CGTS_IN V_R[15]	CGTS_IN V_R[14]	CGTS_IN V_R[13]	CGTS_IN V_R[12]	CGTS_IN V_R[11]	CGTS_IN V_R[10]	CGTS_IN V_R[9]	CGTS_IN V_R[8]	00
		28	CGTS_IN V_R[7]	CGTS_IN V_R[6]	CGTS_IN V_R[5]	CGTS_IN V_R[4]	CGTS_IN V_R[3]	CGTS_IN V_R[2]	CGTS_IN V_R[1]	CGTS_IN V_R[0]	00
		29	COS1_L[3]]	COS1_L[2]]	COS1_L[1]]	COS1_L[0]]	COS2_L[3]]	COS2_L[2]]	COS2_L[1]]	COS2_L[0]]	00
		30	COS3_L[3]]	COS3_L[2]]	COS3_L[1]]	COS3_L[0]]	COS4_L[3]]	COS4_L[2]]	COS4_L[1]]	COS4_L[0]]	00
		31	COS5_L[3]]	COS5_L[2]]	COS5_L[1]]	COS5_L [0]	COS6_L[3]]	COS6_L [2]	COS6_L[1]]	COS6_L[0]]	00
		:	:	:	:	:	:	:	:	:	
		37	COS17_L[3]	COS17_L[2]	COS17_L[1]	COS17_L[0]	COS18_L[3]	COS18_L[2]	COS18_L[1]	COS18_L[0]	00
		38	COS19_L[3]	COS19_L[2]	COS19_L[1]	COS19_L[0]	COS20_L[3]	COS20_L[2]	COS20_L[1]	COS20_L[0]	00
		39	COS21_L[3]	COS21_L[2]	COS21_L[1]	COS21_L[0]	COS22_L[3]	COS22_L[2]	COS22_L[1]	COS22_L[0]	00
		40	COS1_R[3]	COS1_R[2]	COS1_R[1]	COS1_R[0]	COS2_R[3]	COS2_R[2]	COS2_R[1]	COS2_R[0]	00

E9h

SETGIP1



E9h	SETGIP1	41	COS3_R[3]	COS3_R[2]	COS3_R[1]	COS3_R[0]	COS4_R[3]	COS4_R[2]	COS4_R[1]	COS4_R[0]	00	
		42	COS5_R[3]	COS5_R[2]	COS5_R[1]	COS5_R[0]	COS6_R[3]	COS6_R[2]	COS6_R[1]	COS6_R[0]	00	
		:	:	:	:	:	:	:	:	:	:	
		48	COS17_R[3]	COS17_R[2]	COS17_R[1]	COS17_R[0]	COS18_R[3]	COS18_R[2]	COS18_R[1]	COS18_R[0]	00	
		49h	COS19_R[3]	COS19_R[2]	COS19_R[1]	COS19_R[0]	COS20_R[3]	COS20_R[2]	COS20_R[1]	COS20_R[0]	00	
		50	COS21_R[3]	COS21_R[2]	COS21_R[1]	COS21_R[0]	COS22_R[3]	COS22_R[2]	COS22_R[1]	COS22_R[0]	00	
		51	TCON_OPT[7]	TCON_OPT[6]	TCON_OPT[5]	TCON_OPT[4]	TCON_OPT[3]	TCON_OPT[2]	TCON_OPT[1]	TCON_OPT[0]	00	
		52	x	GIP_OPT[22]	GIP_OPT[21]	GIP_OPT[20]	GIP_OPT[19]	GIP_OPT[18]	GIP_OPT[17]	GIP_OPT[16]	00	
		53	GIP_OPT[15]	GIP_OPT[14]	GIP_OPT[13]	GIP_OPT[12]	GIP_OPT[11]	GIP_OPT[10]	GIP_OPT[9]	GIP_OPT[8]	00	
		54	GIP_OPT[7]	GIP_OPT[6]	GIP_OPT[5]	GIP_OPT[4]	GIP_OPT[3]	GIP_OPT[2]	GIP_OPT[1]	GIP_OPT[0]	00	
		55	CHR2[7]	CHR2[6]	CHR2[5]	CHR2[4]	CHR2[3]	CHR2[2]	CHR2[1]	CHR2[0]	00	
		56	CON2[7]	CON2[6]	CON2[5]	CON2[4]	CON2[3]	CON2[2]	CON2[1]	CON2[0]	02	
		57	COFF2[7]	COFF2[6]	COFF2[5]	COFF2[4]	COFF2[3]	COFF2[2]	COFF2[1]	COFF2[0]	02	
		58	CHP2[3]	CHP2[2]	CHP2[1]	CHP2[0]	CCP2[3]	CCP2[2]	CCP2[1]	CCP2[0]	00	
		59	x	x	CKS[21]	CKS[20]	CKS[19]	CKS[18]	CKS[17]	CKS[16]	00	
		60	CKS[15]	CKS[14]	CKS[13]	CKS[12]	CKS[11]	CKS[10]	CKS[9]	CKS[8]	00	
		61	CKS[7]	CKS[6]	CKS[5]	CKS[4]	CKS[3]	CKS[2]	CKS[1]	CKS[0]	00	
		62	COFF[9]	COFF[8]	CON[9]	CON[8]	SPOFF[9]	SPOFF[8]	SPON[9]	SPON[8]	00	
		63	COFF2[9]	COFF[8]	CON2[9]	CON2[8]	PANEL_SEL_INI[3]	PANEL_SEL_INI[2]	PANEL_SEL_INI[1]	PANEL_SEL_INI[0]	00	





(Hex)	Operation code	Para.	D7	D6	D5	D4	D3	D2	D1	D0	Default (Hex)
			1	1	1	0	1	0	1	0	-
		1	YS2_SEL[1]	YS2_SEL[0]	YS1_SEL[1]	YS1_SEL[0]	YS2_XOR	YS1_XOR	YS_FLAG_EN	ALL_ON_EN	94
		2	GATE[7]	GATE[6]	GATE[5]	GATE[4]	GATE[3]	GATE[2]	GATE[1]	GATE[0]	00
		3	CK_ALL_ON_EN	STV_ALL_ON_EN	CK_ALL_ON_WIDT H1[5]	CK_ALL_ON_WIDT H1[4]	CK_ALL_ON_WIDT H1[3]	CK_ALL_ON_WIDT H1[2]	CK_ALL_ON_WIDT H1[1]	CK_ALL_ON_WIDT H1[0]	00
		4	x	x	CK_ALL_ON_WIDT H2[5]	CK_ALL_ON_WIDT H2[4]	CK_ALL_ON_WIDT H2[3]	CK_ALL_ON_WIDT H2[2]	CK_ALL_ON_WIDT H2[1]	CK_ALL_ON_WIDT H2[0]	00
		5	x	x	CK_ALL_ON_WIDT H3[5]	CK_ALL_ON_WIDT H3[4]	CK_ALL_ON_WIDT H3[3]	CK_ALL_ON_WIDT H3[2]	CK_ALL_ON_WIDT H3[1]	CK_ALL_ON_WIDT H3[0]	00
		6	YS_FLAG_PERIOD[7]	YS_FLAG_PERIOD[6]	YS_FLAG_PERIOD[5]	YS_FLAG_PERIOD[4]	YS_FLAG_PERIOD[3]	YS_FLAG_PERIOD[2]	YS_FLAG_PERIOD[1]	YS_FLAG_PERIOD[0]	00
		7	YS2_SEL_2[1]	YS2_SEL_2[0]	YS1_SEL_2[1]	YS1_SEL_2[0]	YS2_XOR_2	YS1_XOR_2	YS_FLAG_EN_2	ALL_ON_EN_2	94
		8	USER_GATE1_2[7]	USER_GATE1_2[6]	USER_GATE1_2[5]	USER_GATE1_2[4]	USER_GATE1_2[3]	USER_GATE1_2[2]	USER_GATE1_2[1]	USER_GATE1_2[0]	00
		9	CK_ALL_ON_EN_2	STV_ALL_ON_EN_2	CK_ALL_ON_WIDT H1_2[5]	CK_ALL_ON_WIDT H1_2[4]	CK_ALL_ON_WIDT H1_2[3]	CK_ALL_ON_WIDT H1_2[2]	CK_ALL_ON_WIDT H1_2[1]	CK_ALL_ON_WIDT H1_2[0]	00
		10	x	x	CK_ALL_ON_WIDT H2_2[5]	CK_ALL_ON_WIDT H2_2[4]	CK_ALL_ON_WIDT H2_2[3]	CK_ALL_ON_WIDT H2_2[2]	CK_ALL_ON_WIDT H2_2[1]	CK_ALL_ON_WIDT H2_2[0]	00
		11	x	x	CK_ALL_ON_WIDT H3_2[5]	CK_ALL_ON_WIDT H3_2[4]	CK_ALL_ON_WIDT H3_2[3]	CK_ALL_ON_WIDT H3_2[2]	CK_ALL_ON_WIDT H3_2[1]	CK_ALL_ON_WIDT H3_2[0]	00
		12	YS_FLAG_PERIOD_2[7]	YS_FLAG_PERIOD_2[6]	YS_FLAG_PERIOD_2[5]	YS_FLAG_PERIOD_2[4]	YS_FLAG_PERIOD_2[3]	YS_FLAG_PERIOD_2[2]	YS_FLAG_PERIOD_2[1]	YS_FLAG_PERIOD_2[0]	00
EAh	SETGIP2	13	COS1_L_GS[3]	COS1_L_GS[2]	COS1_L_GS[1]	COS1_L_GS[0]	COS2_L_GS[3]	COS2_L_GS[2]	COS2_L_GS[1]	COS2_L_GS[0]	00
		14	COS3_L_GS[3]	COS3_L_GS[2]	COS3_L_GS[1]	COS3_L_GS[0]	COS4_L_GS[3]	COS4_L_GS[2]	COS4_L_GS[1]	COS4_L_GS[0]	00
		15	COS5_L_GS[3]	COS5_L_GS[2]	COS5_L_GS[1]	COS5_L_GS[0]	COS6_L_GS[3]	COS6_L_GS[2]	COS6_L_GS[1]	COS6_L_GS[0]	00
		:	:	:	:	:	:	:	:	:	:
		21	COS17_L_GS[3]	COS17_L_GS[2]	COS17_L_GS[1]	COS17_L_GS[0]	COS18_L_GS[3]	COS18_L_GS[2]	COS18_L_GS[1]	COS18_L_GS[0]	00
		22	COS19_L_GS[3]	COS19_L_GS[2]	COS19_L_GS[1]	COS19_L_GS[0]	COS20_L_GS[3]	COS20_L_GS[2]	COS20_L_GS[1]	COS20_L_GS[0]	00
		23	COS21_L_GS[3]	COS21_L_GS[2]	COS21_L_GS[1]	COS21_L_GS[0]	COS22_L_GS[3]	COS22_L_GS[2]	COS22_L_GS[1]	COS22_L_GS[0]	00
		24	COS1_R_GS[3]	COS1_R_GS[2]	COS1_R_GS[1]	COS1_R_GS[0]	COS2_R_GS[3]	COS2_R_GS[2]	COS2_R_GS[1]	COS2_R_GS[0]	00
		25	COS3_R_GS[3]	COS3_R_GS[2]	COS3_R_GS[1]	COS3_R_GS[0]	COS4_R_GS[3]	COS4_R_GS[2]	COS4_R_GS[1]	COS4_R_GS[0]	00
		26	COS5_R_GS[3]	COS5_R_GS[2]	COS5_R_GS[1]	COS5_R_GS[0]	COS6_R_GS[3]	COS6_R_GS[2]	COS6_R_GS[1]	COS6_R_GS[0]	00
		:	:	:	:	:	:	:	:	:	:
		32	COS17_R_GS[3]	COS17_R_GS[2]	COS17_R_GS[1]	COS17_R_GS[0]	COS18_R_GS[3]	COS18_R_GS[2]	COS18_R_GS[1]	COS18_R_GS[0]	00
		33	COS19_R_GS[3]	COS19_R_GS[2]	COS19_R_GS[1]	COS19_R_GS[0]	COS20_R_GS[3]	COS20_R_GS[2]	COS20_R_GS[1]	COS20_R_GS[0]	00
		34	COS21_R_GS[3]	COS21_R_GS[2]	COS21_R_GS[1]	COS21_R_GS[0]	COS22_R_GS[3]	COS22_R_GS[2]	COS22_R_GS[1]	COS22_R_GS[0]	00
		35	x	x	EQOPT[1]	EQOPT[0]	x	x	EQ_SEL[1]	EQ_SEL[0]	30
		36	EQ_DELAY[7]	EQ_DELAY[6]	EQ_DELAY[5]	EQ_DELAY[4]	EQ_DELAY[3]	EQ_DELAY[2]	EQ_DELAY[1]	EQ_DELAY[0]	00
		37	EQ2_DELAY[7]	EQ2_DELAY[6]	EQ2_DELAY[5]	EQ2_DELAY[4]	EQ_DELAY_HSYNC[3]	EQ_DELAY_HSYNC[2]	EQ_DELAY_HSYNC[1]	EQ_DELAY_HSYNC[0]	00



EAh	SETGIP2	38	EQ2_DEL AY[3]	EQ2_DEL AY[2]	EQ2_DEL AY[1]	EQ2_DEL AY[0]	x	x	HSYNC_T O_CL1_C NT10[9]	HSYNC_T O_CL1_C NT10[8]	00
		39	HSYNC_T O_CL1_C NT10[7]	HSYNC_T O_CL1_C NT10[6]	HSYNC_T O_CL1_C NT10[5]	HSYNC_T O_CL1_C NT10[4]	HSYNC_T O_CL1_C NT10[3]	HSYNC_T O_CL1_C NT10[2]	HSYNC_T O_CL1_C NT10[1]	HSYNC_T O_CL1_C NT10[0]	02

(Hex)	Operation code	Para.	D7	D6	D5	D4	D3	D2	D1	D0	Default (Hex)
EBh	SETCOLOR		1	1	1	0	1	0	1	1	-
		1	Bkx[1]	Bkx[0]	Bky[1]	Bky[0]	Wx[1]	Wx[0]	Wy[1]	Wy[0]	00
		2	BKx[9]	BKx[8]	BKx[7]	BKx[6]	BKx[5]	BKx[4]	BKx[3]	BKx[2]	00
		3	BKy[9]	BKy[8]	BKy[7]	BKy[6]	BKy[5]	BKy[4]	BKy[3]	BKy[2]	00
		4	Wx[9]	Wx[8]	Wx[7]	Wx[6]	Wx[5]	Wx[4]	Wx[3]	Wx[2]	00
		5	Wy[9]	Wy[8]	Wy[7]	Wy[6]	Wy[5]	Wy[4]	Wy[3]	Wy[2]	00
		6	Rx[1]	Rx[0]	Ry[1]	Ry[0]	Gx[1]	Gx[0]	Gy[1]	Gy[0]	00
		7	Rx[9]	Rx[8]	Rx[7]	Rx[6]	Rx[5]	Rx[4]	Rx[3]	Rx[2]	00
		8	Ry[9]	Ry[8]	Ry[7]	Ry[6]	Ry[5]	Ry[4]	Ry[3]	Ry[2]	00
		9	Gx[9]	Gx[8]	Gx[7]	Gx[6]	Gx[5]	Gx[4]	Gx[3]	Gx[2]	00
		10	Gy[9]	Gy[8]	Gy[7]	Gy[6]	Gy[5]	Gy[4]	Gy[3]	Gy[2]	00
		11	Bx[1]	Bx[0]	By[1]	By[0]	Ax[1]	Ax[0]	Ay[1]	Ay[0]	00
		12	Bx[9]	Bx[8]	Bx[7]	Bx[6]	Bx[5]	Bx[4]	Bx[3]	Bx[2]	00
		13	By[9]	By[8]	By[7]	By[6]	By[5]	By[4]	By[3]	By[2]	00
		14	Ax[9]	Ax[8]	Ax[7]	Ax[6]	Ax[5]	Ax[4]	Ax[3]	Ax[2]	00
15	Ay[9]	Ay[8]	Ay[7]	Ay[6]	Ay[5]	Ay[4]	Ay[3]	Ay[2]	00		



6.2 Command description

6.2.1 NOP (00h)

00 H	NOP (No Operation)									
	R/W	D7	D6	D5	D4	D3	D2	D1	D0	HEX
Command	Write	0	0	0	0	0	0	0	0	00
Parameter	NO PARAMETER									
Description	This command is an empty command; it does not have any effect on the display module.									
Restriction	-									
Register Availability	Status					Availability				
	Normal Mode On, Idle Mode Off, Sleep Out					Yes				
	Normal Mode On, Idle Mode On, Sleep Out					Yes				
	Partial Mode On, Idle Mode Off, Sleep Out					Yes				
	Partial Mode On, Idle Mode On, Sleep Out					Yes				
	Sleep In or Booster Off					Yes				
Default	Status					Default Value				
	Power On Sequence					N/A				
	S/W Reset					N/A				
	H/W Reset					N/A				
Flow Chart	-									



6.2.2 Software reset (01h)

01 H	SWRESET (Software Reset)																					
	R/W	D7	D6	D5	D4	D3	D2	D1	D0	HEX												
Command	Write	0	0	0	0	0	0	0	1	01												
Parameter	NO PARAMETER																					
Description	When the Software Reset command is written, it causes a software reset. It resets the commands and parameters to their S/W Reset default values. (See default tables in each command description.) The display is blank immediately.																					
Restriction	It will be necessary to wait 5msec before sending new command following software reset. The display module loads all display suppliers' factory default values to the registers during this 5m sec. If SW Reset is applied during Sleep Out mode, it will be necessary to wait 120m sec before sending Sleep Out command. SW Reset command cannot be sent during Sleep Out sequence.																					
Register Availability	<table border="1"> <thead> <tr> <th>Status</th> <th>Availability</th> </tr> </thead> <tbody> <tr> <td>Normal Mode On, Idle Mode Off, Sleep Out</td> <td>Yes</td> </tr> <tr> <td>Normal Mode On, Idle Mode On, Sleep Out</td> <td>Yes</td> </tr> <tr> <td>Partial Mode On, Idle Mode Off, Sleep Out</td> <td>Yes</td> </tr> <tr> <td>Partial Mode On, Idle Mode On, Sleep Out</td> <td>Yes</td> </tr> <tr> <td>Sleep In or Booster Off</td> <td>Yes</td> </tr> </tbody> </table>										Status	Availability	Normal Mode On, Idle Mode Off, Sleep Out	Yes	Normal Mode On, Idle Mode On, Sleep Out	Yes	Partial Mode On, Idle Mode Off, Sleep Out	Yes	Partial Mode On, Idle Mode On, Sleep Out	Yes	Sleep In or Booster Off	Yes
Status	Availability																					
Normal Mode On, Idle Mode Off, Sleep Out	Yes																					
Normal Mode On, Idle Mode On, Sleep Out	Yes																					
Partial Mode On, Idle Mode Off, Sleep Out	Yes																					
Partial Mode On, Idle Mode On, Sleep Out	Yes																					
Sleep In or Booster Off	Yes																					
Default	<table border="1"> <thead> <tr> <th>Status</th> <th>Default Value</th> </tr> </thead> <tbody> <tr> <td>Power On Sequence</td> <td>N/A</td> </tr> <tr> <td>S/W Reset</td> <td>N/A</td> </tr> <tr> <td>H/W Reset</td> <td>N/A</td> </tr> </tbody> </table>										Status	Default Value	Power On Sequence	N/A	S/W Reset	N/A	H/W Reset	N/A				
Status	Default Value																					
Power On Sequence	N/A																					
S/W Reset	N/A																					
H/W Reset	N/A																					
Flow Chart	<pre> graph TD A[SWRESET (01H)] --> B[/Display whole blank screen/] B --> C[/Set Commands to S/W Default Value/] C --> D([Sleep In Mode]) </pre> <p>Legend:</p> <ul style="list-style-type: none"> Command: Rectangle Parameter: Parallelogram Display: Hexagon Action: Arrowhead Mode: Oval Sequential transfer: Oval with tail 																					



6.2.3 Read Display ID (04h)

04 H	RDDID (Read Display ID)									
	R/W	D7	D6	D5	D4	D3	D2	D1	D0	HEX
Command	Read	0	0	0	0	0	1	0	0	04
1 st parameter	-	ID17	ID16	ID15	ID14	ID13	ID12	ID11	ID10	78
2 nd parameter	-	ID27	ID26	ID25	ID24	ID23	ID22	ID21	ID20	21
3 rd parameter	-	ID37	ID36	ID35	ID34	ID33	ID32	ID31	ID30	1F
Description	This read byte returns 24-bit display identification information.									
Restriction	-									
Register Availability	Status					Availability				
	Normal Mode On, Idle Mode Off, Sleep Out					Yes				
	Normal Mode On, Idle Mode On, Sleep Out					Yes				
	Partial Mode On, Idle Mode Off, Sleep Out					Yes				
	Partial Mode On, Idle Mode On, Sleep Out					Yes				
Sleep In or Booster Off					Yes					
Default	Status					Default Value				
	Power On Sequence					38				
	S/W Reset					21				
	H/W Reset					1F				
Flow Chart	Serial I/F Mode									
	RDDID (04H)									
	Host Driver									
	Dummy Clock									
	Send ID1[7:0]									
Send ID2[7:0]										
Send ID3[7:0]										
Legend										
Command										
Parameter										
Display										
Action										
Mode										
Sequential transfer										



6.2.4 Read Display Power Mode (0Ah)

0A H	RDDPM (Read Display Power Mode)									
	R/W	D7	D6	D5	D4	D3	D2	D1	D0	HEX
Command	Read	0	0	0	0	1	0	1	0	0A
1 st parameter	-	D7	D6	D5	D4	D3	D2	0	0	-
Description	This command indicates the current status of the display as described in the table below:									
	Bit	Description							Value	
	D7	Booster Voltage Status							'1'=Booster on, '0'=Booster off	
	D6	Idle Mode On/Off							'1'=Idle Mode on, '0'=Idle Mode off	
	D5	Partial Mode On/Off							'1'=Partial Mode on, '0'= Partial Mode off	
	D4	Sleep In/Out							'1'=Sleep out, '0'=Sleep in	
	D3	Display Normal Mode On/Off							'1'=Display Normal on, '0'=Display Normal off	
	D2	Display On/Off							'1'=Display on, '0'=Display off	
D1	Not Defined							Set to '0'		
D0	Not Defined							Set to '0'		
Restriction	-									
Register Availability	Status					Availability				
	Normal Mode On, Idle Mode Off, Sleep Out					Yes				
	Normal Mode On, Idle Mode On, Sleep Out					Yes				
	Partial Mode On, Idle Mode Off, Sleep Out					Yes				
	Partial Mode On, Idle Mode On, Sleep Out					Yes				
	Sleep In or Booster Off					Yes				
Default	Status					Default Value				
	Power On Sequence					08h				
	S/W Reset					08h				
	H/W Reset					08h				
Flow Chart	<p>Serial I/F Mode</p> <pre> graph TD subgraph Host_Driver [Host Driver] RDDPM[RDDPM (0AH)] end RDDPM --> Send[Send D[7:0]] style Send fill:none,stroke:none </pre>									
	<p>Legend</p> <ul style="list-style-type: none"> Command Parameter Display Action Mode Sequential transfer 									



6.2.5 Read Display MADCTR (0Bh)

0B H	RDDMADCTR (Read Display MADCTR)									
	R/W	D7	D6	D5	D4	D3	D2	D1	D0	HEX
Command	Read	0	0	0	0	1	0	1	1	0B
1 st parameter	-	D7	D6	0	0	D3	D2	0	0	-
Description	This command indicates the current status of the display as described in the table below:									
	Bit	Description					Value			
	D7	Page Address Order (MY)					'0'=Increment, '1' = Decrement			
	D6	Column Address Order (MX)					'0'=Increment, '1' = Decrement			
	D5	Page/Column Exchange (MV)					Set to '0'			
	D4	Line Address Order (ML)					Set to '0'			
	D3	RGB/BGR Order					'0'=Increment, '1' = Decrement			
	D2	Display Data Latch Order (MH)					'0'=Increment, '1' = Decrement			
	D1	Flip horizontal					Set to '0'			
D0	Flip vertical					Set to '0'				
Restriction	-									
Register Availability	Status					Availability				
	Normal Mode On, Idle Mode Off, Sleep Out					Yes				
	Normal Mode On, Idle Mode On, Sleep Out					Yes				
	Partial Mode On, Idle Mode Off, Sleep Out					Yes				
	Partial Mode On, Idle Mode On, Sleep Out					Yes				
	Sleep In or Booster Off					Yes				
Default	Status					Default Value				
	Power On Sequence					00h				
	S/W Reset					00h				
	H/W Reset					00h				
Flow Chart	<p>Serial I/F Mode</p> <pre> graph TD subgraph Host_Driver [Host Driver] CMD[RDDMADCTL (0BH)] end subgraph Display SEND[/Send D[7:0]/] end CMD --> SEND </pre>									
	<p>Legend</p> <ul style="list-style-type: none"> Command: [Rectangle] Parameter: [Parallelogram] Display: [Oval] Action: [Arrow] Mode: [Rounded rectangle] Sequential transfer: [Speech bubble] 									



6.2.6 Read Display Pixel Format (0Ch)

0C H	RDDCOLMOD (Read Display COLMOD)									
	R/W	D7	D6	D5	D4	D3	D2	D1	D0	HEX
Command	Read	0	0	0	0	1	1	0	0	0C
1 st parameter	-	D7	D6	0	0	D3	D2	0	0	-
Description	This command indicates the current status of the display as described in the table below:									
	Bit	Description							Value	
	D7	Reserved							Set to '0'	
	D6	RGB Interface Pixel format							'101' =16-bit/pixel	
	D5								'110' =18-bit/pixel	
	D4								'111' =24-bit/pixel	
	D3	Reserved							Set to '0'	
	D2	DBI Interface Pixel format							Set to '0'	
	D1								Set to '0'	
D0	Set to '0'									
Restriction	-									
Register Availability	Status					Availability				
	Normal Mode On, Idle Mode Off, Sleep Out					Yes				
	Normal Mode On, Idle Mode On, Sleep Out					Yes				
	Partial Mode On, Idle Mode Off, Sleep Out					Yes				
	Partial Mode On, Idle Mode On, Sleep Out					Yes				
Default	Status					Default Value				
	Power On Sequence					70h				
	S/W Reset					No Change				
	H/W Reset					70h				
Flow Chart	<p>Serial I/F Mode</p>									
	<p>Legend</p> <ul style="list-style-type: none"> Command (rectangle) Parameter (parallelogram) Display (oval) Action (arrowhead) Mode (rounded rectangle) Sequential transfer (oval with tail) 									



6.2.7 Read Display Image Mode (0Dh)

0D H	RDDIM (Read Display Image Mode)									
	R/W	D7	D6	D5	D4	D3	D2	D1	D0	HEX
Command	Read	0	0	0	0	1	1	0	1	0D
1 st parameter	-	D7	D6	0	0	D3	D2	0	0	-
Description	This command indicates the current status of the display as described in the table below:									
	Bit	Description				Value				
	D7	Vertical Scrolling On/Off				Set to '0'				
	D6	Horizontal Scrolling On/off				Set to '0'				
	D5	Inversion On/off				'1' = Inversion On, '0' = Inversion Off				
	D4	All Pixel On				'1' = White display, '0' = Normal display				
	D3	All Pixel Off				'1' = Black display, '0' = Normal display				
	D2	Gamma Curve Selection				'000' = GC0, '001' = GC1				
D1	'010' = GC2, '011' = GC3									
D0	'100' to '111' = not define									
Restriction	-									
Register Availability	Status				Availability					
	Normal Mode On, Idle Mode Off, Sleep Out				Yes					
	Normal Mode On, Idle Mode On, Sleep Out				Yes					
	Partial Mode On, Idle Mode Off, Sleep Out				Yes					
	Partial Mode On, Idle Mode On, Sleep Out				Yes					
Default	Status				Default Value					
	Power On Sequence				00h					
	S/W Reset				00h					
	H/W Reset				00h					
Flow Chart	Serial I/F Mode									



6.2.8 Read Display Signal Mode (0Eh)

0E H	RDDSM (Read Display Signal Mode)									
	R/W	D7	D6	D5	D4	D3	D2	D1	D0	HEX
Command	Read	0	0	0	0	1	1	1	0	0E
1 st parameter	-	D7	D6	0	0	D3	D2	0	0	-
Description	This command indicates the current status of the display as described in the table below:									
	Bit	Description							Value	
	D7	Tearing Effect Line On/Off							Set to '0'	
	D6	Tearing Effect Line Mode							Set to '0'	
	D5	Horizontal Sync. On/Off							'1' = HS bit is '1', '0' = HS bit is '0'	
	D4	Vertical Sync. On/Off							'1' = VS bit is '1', '0' = VS bit is '0'	
	D3	Pixel Clock. On/Off							'1' = PCLK line is '1', '0' = PCLK line is '0'	
	D2	Data Enable On/Off							'1' = DE bit is '1', '0' = DE bit is '0'	
	D1	Not Define							Set to '0'	
D0	Error on DSI							'1' = Error, '0' = No Error		
Restriction	-									
Register Availability	Status							Availability		
	Normal Mode On, Idle Mode Off, Sleep Out							Yes		
	Normal Mode On, Idle Mode On, Sleep Out							Yes		
	Partial Mode On, Idle Mode Off, Sleep Out							Yes		
	Partial Mode On, Idle Mode On, Sleep Out							Yes		
Default	Status							Default Value		
	Power On Sequence							00h		
	S/W Reset							00h		
	H/W Reset							00h		
Flow Chart	Serial I/F Mode									
	<pre> graph TD subgraph Host RDDSM[Command: RDDSM] end subgraph Driver SendD[Parameter: Send D[7:0]] end RDDSM --> SendD </pre>									
<p>Legend</p> <ul style="list-style-type: none"> Command: Rectangle Parameter: Parallelogram Display: Oval Action: Arrow Mode: Circle Sequential transfer: Speech bubble 										



6.2.9 Read Display Self-Diagnostic Result (0Fh)

0F H	RDDSDR (Read Display Self-Diagnostic Result)									
	R/W	D7	D6	D5	D4	D3	D2	D1	D0	HEX
Command	Read	0	0	0	0	1	1	1	1	0F
1 st parameter	-	D7	D6	0	0	0	0	0	0	-
Description	This command indicates the current status of the display as described in the table below:									
	Bit	Description							Value	
	D7	Register Loading Detection							See Section 5.5.1	
	D6	Functionality Detection							See Section 5.5.2	
	D5	Chip Attachment Detection							Set to '0'	
	D4	Display Glass Break Detection							Set to '0'	
	D3	Not Define							Set to '0'	
	D2	Not Define							Set to '0'	
	D1	Not Define							Set to '0'	
D0	Checksums Comparison							'1' = Checksums are not the same '0' = Checksums are the same		
Restriction	-									
Register Availability	Status					Availability				
	Normal Mode On, Idle Mode Off, Sleep Out					Yes				
	Normal Mode On, Idle Mode On, Sleep Out					Yes				
	Partial Mode On, Idle Mode Off, Sleep Out					Yes				
	Partial Mode On, Idle Mode On, Sleep Out					Yes				
	Sleep In or Booster Off					Yes				
Default	Status					Default Value				
	Power On Sequence					00h				
	S/W Reset					00h				
	H/W Reset					00h				
Flow Chart	Serial I/F Mode									
	<pre> graph TD subgraph Host RDDSDR[Command: RDDSDR] end subgraph Driver SendD[Parameter: Send D[7:0]] end RDDSDR --> SendD </pre>									
<div style="border: 1px dashed black; padding: 5px;"> <p>Legend</p> <ul style="list-style-type: none"> Command Parameter Display Action Mode Sequential transfer </div>										



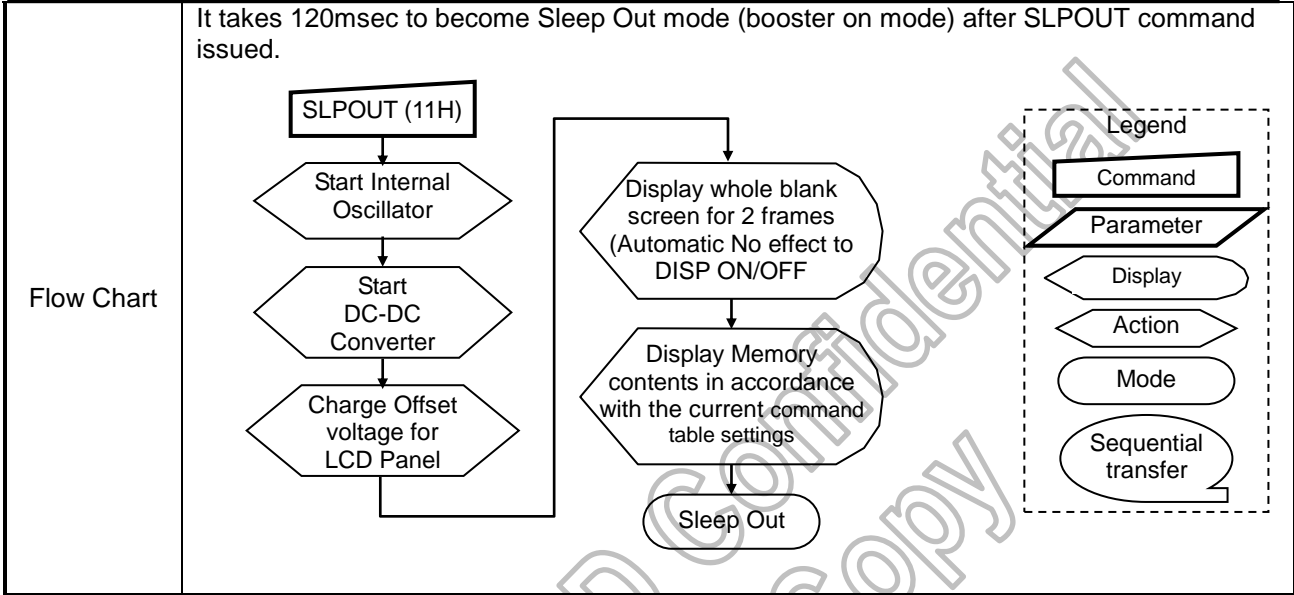
6.2.10 Sleep In (10h)

10 H	SLPIN (Sleep In)																					
	R/W	D7	D6	D5	D4	D3	D2	D1	D0	HEX												
Command	Write	0	0	0	1	0	0	0	0	10												
Parameter	No Parameter																					
Description	<p>This command causes the LCD module to enter the minimum power consumption mode. In this mode the DC/DC converter is stopped, Internal display oscillator is stopped, and panel scanning is stopped.</p>																					
Restriction	<p>This command has no effect when module is already in sleep in mode. Sleep In Mode can only be exit by the Sleep Out Command (11H). It will be necessary to wait 15msec before sending next command; this is to allow time for the supply voltages and clock circuits to stabilize. It will be necessary to wait 120msec after sending Sleep Out command (when in Sleep In Mode) before Sleep In command can be sent.</p>																					
Register Availability	<table border="1"> <thead> <tr> <th>Status</th> <th>Availability</th> </tr> </thead> <tbody> <tr> <td>Normal Mode On, Idle Mode Off, Sleep Out</td> <td>Yes</td> </tr> <tr> <td>Normal Mode On, Idle Mode On, Sleep Out</td> <td>Yes</td> </tr> <tr> <td>Partial Mode On, Idle Mode Off, Sleep Out</td> <td>Yes</td> </tr> <tr> <td>Partial Mode On, Idle Mode On, Sleep Out</td> <td>Yes</td> </tr> <tr> <td>Sleep In or Booster Off</td> <td>Yes</td> </tr> </tbody> </table>										Status	Availability	Normal Mode On, Idle Mode Off, Sleep Out	Yes	Normal Mode On, Idle Mode On, Sleep Out	Yes	Partial Mode On, Idle Mode Off, Sleep Out	Yes	Partial Mode On, Idle Mode On, Sleep Out	Yes	Sleep In or Booster Off	Yes
Status	Availability																					
Normal Mode On, Idle Mode Off, Sleep Out	Yes																					
Normal Mode On, Idle Mode On, Sleep Out	Yes																					
Partial Mode On, Idle Mode Off, Sleep Out	Yes																					
Partial Mode On, Idle Mode On, Sleep Out	Yes																					
Sleep In or Booster Off	Yes																					
Default	<table border="1"> <thead> <tr> <th>Status</th> <th>Default Value</th> </tr> </thead> <tbody> <tr> <td>Power On Sequence</td> <td>Sleep In mode</td> </tr> <tr> <td>S/W Reset</td> <td>Sleep In mode</td> </tr> <tr> <td>H/W Reset</td> <td>Sleep In mode</td> </tr> </tbody> </table>										Status	Default Value	Power On Sequence	Sleep In mode	S/W Reset	Sleep In mode	H/W Reset	Sleep In mode				
Status	Default Value																					
Power On Sequence	Sleep In mode																					
S/W Reset	Sleep In mode																					
H/W Reset	Sleep In mode																					
Flow Chart	<p>It takes about 120msec to get into Sleep In mode after SLPIN command issued.</p> <div style="border: 1px dashed black; padding: 5px; margin-top: 10px;"> <p>Legend</p> <ul style="list-style-type: none"> Command: [Rectangle] Parameter: [Trapezoid] Display: [Hexagon] Action: [Arrowhead] Mode: [Oval] Sequential transfer: [Curved arrow] </div>																					



6.2.11 Sleep Out (11h)

11 H	SLPOUT (Sleep Out)																					
	R/W	D7	D6	D5	D4	D3	D2	D1	D0	HEX												
Command	Write	0	0	0	1	0	0	0	1	11												
Parameter	No Parameter																					
Description	<p>This command turns off sleep mode. In this mode the DC/DC converter is enabled, Internal display oscillator is started, and panel scanning is started.</p>																					
Restriction	<p>This command has no effect when module is already in sleep out mode. Sleep Out Mode can only be left by the Sleep In Command (10h). It will be necessary to wait 5msec before sending next command, this is to allow time for the supply voltages and clock circuits to stabilize. The display module loads all display supplier's factory default values to the registers during this 15msec and there cannot be any abnormal visual effect on the display image if factory default and register values are same when this load is done and when the display module is already Sleep Out -mode. The display module is doing self-diagnostic functions during this 5msec. It will be necessary to wait 120msec after sending Sleep In command (when in Sleep Out mode) before Sleep Out command can be sent.</p>																					
Register Availability	<table border="1"> <thead> <tr> <th>Status</th> <th>Availability</th> </tr> </thead> <tbody> <tr> <td>Normal Mode On, Idle Mode Off, Sleep Out</td> <td>Yes</td> </tr> <tr> <td>Normal Mode On, Idle Mode On, Sleep Out</td> <td>Yes</td> </tr> <tr> <td>Partial Mode On, Idle Mode Off, Sleep Out</td> <td>Yes</td> </tr> <tr> <td>Partial Mode On, Idle Mode On, Sleep Out</td> <td>Yes</td> </tr> <tr> <td>Sleep In or Booster Off</td> <td>Yes</td> </tr> </tbody> </table>										Status	Availability	Normal Mode On, Idle Mode Off, Sleep Out	Yes	Normal Mode On, Idle Mode On, Sleep Out	Yes	Partial Mode On, Idle Mode Off, Sleep Out	Yes	Partial Mode On, Idle Mode On, Sleep Out	Yes	Sleep In or Booster Off	Yes
Status	Availability																					
Normal Mode On, Idle Mode Off, Sleep Out	Yes																					
Normal Mode On, Idle Mode On, Sleep Out	Yes																					
Partial Mode On, Idle Mode Off, Sleep Out	Yes																					
Partial Mode On, Idle Mode On, Sleep Out	Yes																					
Sleep In or Booster Off	Yes																					
Default	<table border="1"> <thead> <tr> <th>Status</th> <th>Default Value</th> </tr> </thead> <tbody> <tr> <td>Power On Sequence</td> <td>Sleep In mode</td> </tr> <tr> <td>S/W Reset</td> <td>Sleep In mode</td> </tr> <tr> <td>H/W Reset</td> <td>Sleep In mode</td> </tr> </tbody> </table>										Status	Default Value	Power On Sequence	Sleep In mode	S/W Reset	Sleep In mode	H/W Reset	Sleep In mode				
Status	Default Value																					
Power On Sequence	Sleep In mode																					
S/W Reset	Sleep In mode																					
H/W Reset	Sleep In mode																					



FORCELEAD Confidential
Do Not Copy

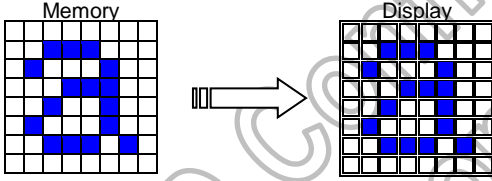



6.2.12 Normal Display Mode On (13h)

13 H	NORMON (Normal Display Mode On)									
	R/W	D7	D6	D5	D4	D3	D2	D1	D0	HEX
Command	Write	0	0	0	1	0	0	1	1	13
Parameter	No Parameter									
Description	This command returns the display to normal mode. Normal display mode on means Partial mode off, Scroll mode Off.									
Restriction	This command has no effect when module is already in Normal Display mode.									
Register Availability	Status					Availability				
	Normal Mode On, Idle Mode Off, Sleep Out					Yes				
	Normal Mode On, Idle Mode On, Sleep Out					Yes				
	Partial Mode On, Idle Mode Off, Sleep Out					Yes				
	Partial Mode On, Idle Mode On, Sleep Out					Yes				
	Sleep In or Booster Off					Yes				
Default	Status					Default Value				
	Power On Sequence					Normal mode ON				
	S/W Reset					Normal mode ON				
	H/W Reset					Normal mode ON				



6.2.13 Display Inversion Off (20h)

20 H	INVOFF (Display Inversion Off)																					
	R/W	D7	D6	D5	D4	D3	D2	D1	D0	HEX												
Command	Write	0	0	1	0	0	0	0	0	20												
Parameter	No Parameter																					
Description	<p>This command is used to recover from display inversion mode. This command makes no change of contents of frame memory. This command does not change any other status.</p> <p>(Example)</p> 																					
Restriction	This command has no effect when module is already in inversion off mode																					
Register Availability	<table border="1"> <thead> <tr> <th>Status</th> <th>Availability</th> </tr> </thead> <tbody> <tr> <td>Normal Mode On, Idle Mode Off, Sleep Out</td> <td>Yes</td> </tr> <tr> <td>Normal Mode On, Idle Mode On, Sleep Out</td> <td>Yes</td> </tr> <tr> <td>Partial Mode On, Idle Mode Off, Sleep Out</td> <td>Yes</td> </tr> <tr> <td>Partial Mode On, Idle Mode On, Sleep Out</td> <td>Yes</td> </tr> <tr> <td>Sleep In or Booster Off</td> <td>Yes</td> </tr> </tbody> </table>										Status	Availability	Normal Mode On, Idle Mode Off, Sleep Out	Yes	Normal Mode On, Idle Mode On, Sleep Out	Yes	Partial Mode On, Idle Mode Off, Sleep Out	Yes	Partial Mode On, Idle Mode On, Sleep Out	Yes	Sleep In or Booster Off	Yes
Status	Availability																					
Normal Mode On, Idle Mode Off, Sleep Out	Yes																					
Normal Mode On, Idle Mode On, Sleep Out	Yes																					
Partial Mode On, Idle Mode Off, Sleep Out	Yes																					
Partial Mode On, Idle Mode On, Sleep Out	Yes																					
Sleep In or Booster Off	Yes																					
Default	<table border="1"> <thead> <tr> <th>Status</th> <th>Default Value</th> </tr> </thead> <tbody> <tr> <td>Power On Sequence</td> <td>Display Inversion off</td> </tr> <tr> <td>S/W Reset</td> <td>Display Inversion off</td> </tr> <tr> <td>H/W Reset</td> <td>Display Inversion off</td> </tr> </tbody> </table>										Status	Default Value	Power On Sequence	Display Inversion off	S/W Reset	Display Inversion off	H/W Reset	Display Inversion off				
Status	Default Value																					
Power On Sequence	Display Inversion off																					
S/W Reset	Display Inversion off																					
H/W Reset	Display Inversion off																					
Flow Chart																						



6.2.14 Display Inversion On (21h)

21 H	INVON (Display Inversion On)																					
	R/W	D7	D6	D5	D4	D3	D2	D1	D0	HEX												
Command	Write	0	0	1	0	0	0	0	1	21												
Parameter	No Parameter																					
Description	<p>This command is used to recover from display inversion mode. This command makes no change of contents of frame memory. This command does not change any other status.</p> <p>(Example)</p>																					
Restriction	This command has no effect when module is already in inversion on mode																					
Register Availability	<table border="1"> <thead> <tr> <th>Status</th> <th>Availability</th> </tr> </thead> <tbody> <tr> <td>Normal Mode On, Idle Mode Off, Sleep Out</td> <td>Yes</td> </tr> <tr> <td>Normal Mode On, Idle Mode On, Sleep Out</td> <td>Yes</td> </tr> <tr> <td>Partial Mode On, Idle Mode Off, Sleep Out</td> <td>Yes</td> </tr> <tr> <td>Partial Mode On, Idle Mode On, Sleep Out</td> <td>Yes</td> </tr> <tr> <td>Sleep In or Booster Off</td> <td>Yes</td> </tr> </tbody> </table>										Status	Availability	Normal Mode On, Idle Mode Off, Sleep Out	Yes	Normal Mode On, Idle Mode On, Sleep Out	Yes	Partial Mode On, Idle Mode Off, Sleep Out	Yes	Partial Mode On, Idle Mode On, Sleep Out	Yes	Sleep In or Booster Off	Yes
Status	Availability																					
Normal Mode On, Idle Mode Off, Sleep Out	Yes																					
Normal Mode On, Idle Mode On, Sleep Out	Yes																					
Partial Mode On, Idle Mode Off, Sleep Out	Yes																					
Partial Mode On, Idle Mode On, Sleep Out	Yes																					
Sleep In or Booster Off	Yes																					
Default	<table border="1"> <thead> <tr> <th>Status</th> <th>Default Value</th> </tr> </thead> <tbody> <tr> <td>Power On Sequence</td> <td>Display Inversion off</td> </tr> <tr> <td>S/W Reset</td> <td>Display Inversion off</td> </tr> <tr> <td>H/W Reset</td> <td>Display Inversion off</td> </tr> </tbody> </table>										Status	Default Value	Power On Sequence	Display Inversion off	S/W Reset	Display Inversion off	H/W Reset	Display Inversion off				
Status	Default Value																					
Power On Sequence	Display Inversion off																					
S/W Reset	Display Inversion off																					
H/W Reset	Display Inversion off																					
Flow Chart																						



6.2.15 All Pixel Off (22h)

22 H	ALLPOFF (All Pixel Off)																					
	R/W	D7	D6	D5	D4	D3	D2	D1	D0	HEX												
Command	Write	0	0	1	0	0	0	1	0	22												
Parameter	No Parameter																					
Description	<p>This command turns the display panel black in Sleep Out mode and a status of the Display On/Off register can be on or off. This command makes no change of contents of frame memory. This command does not change any other status.</p> <p>(Example)</p>																					
Restriction	This command has no effect when module is already in all pixel off mode																					
Register Availability	<table border="1"> <thead> <tr> <th>Status</th> <th>Availability</th> </tr> </thead> <tbody> <tr> <td>Normal Mode On, Idle Mode Off, Sleep Out</td> <td>Yes</td> </tr> <tr> <td>Normal Mode On, Idle Mode On, Sleep Out</td> <td>Yes</td> </tr> <tr> <td>Partial Mode On, Idle Mode Off, Sleep Out</td> <td>Yes</td> </tr> <tr> <td>Partial Mode On, Idle Mode On, Sleep Out</td> <td>Yes</td> </tr> <tr> <td>Sleep In or Booster Off</td> <td>Yes</td> </tr> </tbody> </table>										Status	Availability	Normal Mode On, Idle Mode Off, Sleep Out	Yes	Normal Mode On, Idle Mode On, Sleep Out	Yes	Partial Mode On, Idle Mode Off, Sleep Out	Yes	Partial Mode On, Idle Mode On, Sleep Out	Yes	Sleep In or Booster Off	Yes
Status	Availability																					
Normal Mode On, Idle Mode Off, Sleep Out	Yes																					
Normal Mode On, Idle Mode On, Sleep Out	Yes																					
Partial Mode On, Idle Mode Off, Sleep Out	Yes																					
Partial Mode On, Idle Mode On, Sleep Out	Yes																					
Sleep In or Booster Off	Yes																					
Default	<table border="1"> <thead> <tr> <th>Status</th> <th>Default Value</th> </tr> </thead> <tbody> <tr> <td>Power On Sequence</td> <td>All pixel off</td> </tr> <tr> <td>S/W Reset</td> <td>All pixel off</td> </tr> <tr> <td>H/W Reset</td> <td>All pixel off</td> </tr> </tbody> </table>										Status	Default Value	Power On Sequence	All pixel off	S/W Reset	All pixel off	H/W Reset	All pixel off				
Status	Default Value																					
Power On Sequence	All pixel off																					
S/W Reset	All pixel off																					
H/W Reset	All pixel off																					
Flow Chart																						



6.2.16 All Pixel On (23h)

23 H	ALLPON (All Pixel On)																					
	R/W	D7	D6	D5	D4	D3	D2	D1	D0	HEX												
Command	Write	0	0	1	0	0	0	1	1	23												
Parameter	No Parameter																					
Description	<p>This command turns the display panel white in Sleep Out mode and a status of the Display On/Off –register can be on or off. This command makes no change of contents of frame memory. This command does not change any other status.</p> <p>(Example)</p>																					
Restriction	This command has no effect when module is already in all pixel on mode																					
Register Availability	<table border="1"> <thead> <tr> <th>Status</th> <th>Availability</th> </tr> </thead> <tbody> <tr> <td>Normal Mode On, Idle Mode Off, Sleep Out</td> <td>Yes</td> </tr> <tr> <td>Normal Mode On, Idle Mode On, Sleep Out</td> <td>Yes</td> </tr> <tr> <td>Partial Mode On, Idle Mode Off, Sleep Out</td> <td>Yes</td> </tr> <tr> <td>Partial Mode On, Idle Mode On, Sleep Out</td> <td>Yes</td> </tr> <tr> <td>Sleep In or Booster Off</td> <td>Yes</td> </tr> </tbody> </table>										Status	Availability	Normal Mode On, Idle Mode Off, Sleep Out	Yes	Normal Mode On, Idle Mode On, Sleep Out	Yes	Partial Mode On, Idle Mode Off, Sleep Out	Yes	Partial Mode On, Idle Mode On, Sleep Out	Yes	Sleep In or Booster Off	Yes
Status	Availability																					
Normal Mode On, Idle Mode Off, Sleep Out	Yes																					
Normal Mode On, Idle Mode On, Sleep Out	Yes																					
Partial Mode On, Idle Mode Off, Sleep Out	Yes																					
Partial Mode On, Idle Mode On, Sleep Out	Yes																					
Sleep In or Booster Off	Yes																					
Default	<table border="1"> <thead> <tr> <th>Status</th> <th>Default Value</th> </tr> </thead> <tbody> <tr> <td>Power On Sequence</td> <td>All pixel off</td> </tr> <tr> <td>S/W Reset</td> <td>All pixel off</td> </tr> <tr> <td>H/W Reset</td> <td>All pixel off</td> </tr> </tbody> </table>										Status	Default Value	Power On Sequence	All pixel off	S/W Reset	All pixel off	H/W Reset	All pixel off				
Status	Default Value																					
Power On Sequence	All pixel off																					
S/W Reset	All pixel off																					
H/W Reset	All pixel off																					
Flow Chart																						



6.2.17 Display Off (28h)

28 H	DISPOFF (Display off)																					
	R/W	D7	D6	D5	D4	D3	D2	D1	D0	HEX												
Command	Write	0	0	1	0	1	0	0	0	28												
Parameter	NO Parameter																					
Description	<p>This command is used to enter into DISPLAY OFF mode. In this mode, the output from Frame Memory is disabled and blank page inserted. This command makes no change of contents of frame memory. This command does not change any other status. There will be no abnormal visible effect on the display.</p> <p>(Example)</p>																					
Restriction	This command has no effect when module is already in display off mode.																					
Register Availability	<table border="1"> <thead> <tr> <th>Status</th> <th>Availability</th> </tr> </thead> <tbody> <tr> <td>Normal Mode On, Idle Mode Off, Sleep Out</td> <td>Yes</td> </tr> <tr> <td>Normal Mode On, Idle Mode On, Sleep Out</td> <td>Yes</td> </tr> <tr> <td>Partial Mode On, Idle Mode Off, Sleep Out</td> <td>Yes</td> </tr> <tr> <td>Partial Mode On, Idle Mode On, Sleep Out</td> <td>Yes</td> </tr> <tr> <td>Sleep In or Booster Off</td> <td>Yes</td> </tr> </tbody> </table>										Status	Availability	Normal Mode On, Idle Mode Off, Sleep Out	Yes	Normal Mode On, Idle Mode On, Sleep Out	Yes	Partial Mode On, Idle Mode Off, Sleep Out	Yes	Partial Mode On, Idle Mode On, Sleep Out	Yes	Sleep In or Booster Off	Yes
Status	Availability																					
Normal Mode On, Idle Mode Off, Sleep Out	Yes																					
Normal Mode On, Idle Mode On, Sleep Out	Yes																					
Partial Mode On, Idle Mode Off, Sleep Out	Yes																					
Partial Mode On, Idle Mode On, Sleep Out	Yes																					
Sleep In or Booster Off	Yes																					
Default	<table border="1"> <thead> <tr> <th>Status</th> <th>Default Value</th> </tr> </thead> <tbody> <tr> <td>Power On Sequence</td> <td>Display Off</td> </tr> <tr> <td>S/W Reset</td> <td>Display Off</td> </tr> <tr> <td>H/W Reset</td> <td>Display Off</td> </tr> </tbody> </table>										Status	Default Value	Power On Sequence	Display Off	S/W Reset	Display Off	H/W Reset	Display Off				
Status	Default Value																					
Power On Sequence	Display Off																					
S/W Reset	Display Off																					
H/W Reset	Display Off																					
Flow Chart																						



6.2.18 Display On (29h)

29 H	DISPON (Display on)																					
	R/W	D7	D6	D5	D4	D3	D2	D1	D0	HEX												
Command	Write	0	0	1	0	1	0	0	1	29												
Parameter	NO Parameter																					
Description	<p>This command is used to recover from DISPLAY OFF mode. Output from the Frame Memory is enabled. This command makes no change of contents of frame memory. This command does not change any other status.</p> <p>(Example)</p>																					
Restriction	This command has no effect when module is already in display on mode.																					
Register Availability	<table border="1"> <thead> <tr> <th>Status</th> <th>Availability</th> </tr> </thead> <tbody> <tr> <td>Normal Mode On, Idle Mode Off, Sleep Out</td> <td>Yes</td> </tr> <tr> <td>Normal Mode On, Idle Mode On, Sleep Out</td> <td>Yes</td> </tr> <tr> <td>Partial Mode On, Idle Mode Off, Sleep Out</td> <td>Yes</td> </tr> <tr> <td>Partial Mode On, Idle Mode On, Sleep Out</td> <td>Yes</td> </tr> <tr> <td>Sleep In or Booster Off</td> <td>Yes</td> </tr> </tbody> </table>										Status	Availability	Normal Mode On, Idle Mode Off, Sleep Out	Yes	Normal Mode On, Idle Mode On, Sleep Out	Yes	Partial Mode On, Idle Mode Off, Sleep Out	Yes	Partial Mode On, Idle Mode On, Sleep Out	Yes	Sleep In or Booster Off	Yes
Status	Availability																					
Normal Mode On, Idle Mode Off, Sleep Out	Yes																					
Normal Mode On, Idle Mode On, Sleep Out	Yes																					
Partial Mode On, Idle Mode Off, Sleep Out	Yes																					
Partial Mode On, Idle Mode On, Sleep Out	Yes																					
Sleep In or Booster Off	Yes																					
Default	<table border="1"> <thead> <tr> <th>Status</th> <th>Default Value</th> </tr> </thead> <tbody> <tr> <td>Power On Sequence</td> <td>Display Off</td> </tr> <tr> <td>S/W Reset</td> <td>Display Off</td> </tr> <tr> <td>H/W Reset</td> <td>Display Off</td> </tr> </tbody> </table>										Status	Default Value	Power On Sequence	Display Off	S/W Reset	Display Off	H/W Reset	Display Off				
Status	Default Value																					
Power On Sequence	Display Off																					
S/W Reset	Display Off																					
H/W Reset	Display Off																					
Flow Chart	<pre> graph TD A([Display Off Mode]) --> B[DISPON] B --> C([Display ON Mode]) </pre> <p>Legend</p> <ul style="list-style-type: none"> Command: Rectangle Parameter: Parallelogram Display: Rounded rectangle Action: Arrow Mode: Oval Sequential transfer: Oval with tail 																					



6.2.19 Memory Access Control (36h)

36 H	MADCTR (Memory Access Control)									
	R/W	D7	D6	D5	D4	D3	D2	D1	D0	HEX
Command	Write	0	0	1	1	0	1	1	0	36
Parameter	-	MY	MX	-	-	RGB	SS	-	-	-
Description	This command defines read/write scanning direction of frame memory. This command makes no change on the other driver status.									
	Bit Assignment									
	BIT	NAME				DESCRIPTION				
	D7	PAGE ADDRESS ORDER (MY)				These 2 bits controls interface to display direction				
	D6	COLUMN ADDRESS ORDER (MX)								
D3	RGB-BGR ORDER (BGR)				Color selector switch control 0=RGB color sequence, 1=BGR color sequence					
D2	Horizontal ORDER (SS)				LCD horizontal refresh direction control					
Restriction	-									
Register Availability	Status					Availability				
	Normal Mode On, Idle Mode Off, Sleep Out					Yes				
	Normal Mode On, Idle Mode On, Sleep Out					Yes				
	Partial Mode On, Idle Mode Off, Sleep Out					Yes				
	Partial Mode On, Idle Mode On, Sleep Out					Yes				
Default	Status					Default Value				
	Power On Sequence					00h				
	S/W Reset					No Change				
	H/W Reset					00h				
	Flow Chart	<pre> graph TD MADCTR[MADCTR] --> Parameter[/Parameter/] </pre>								



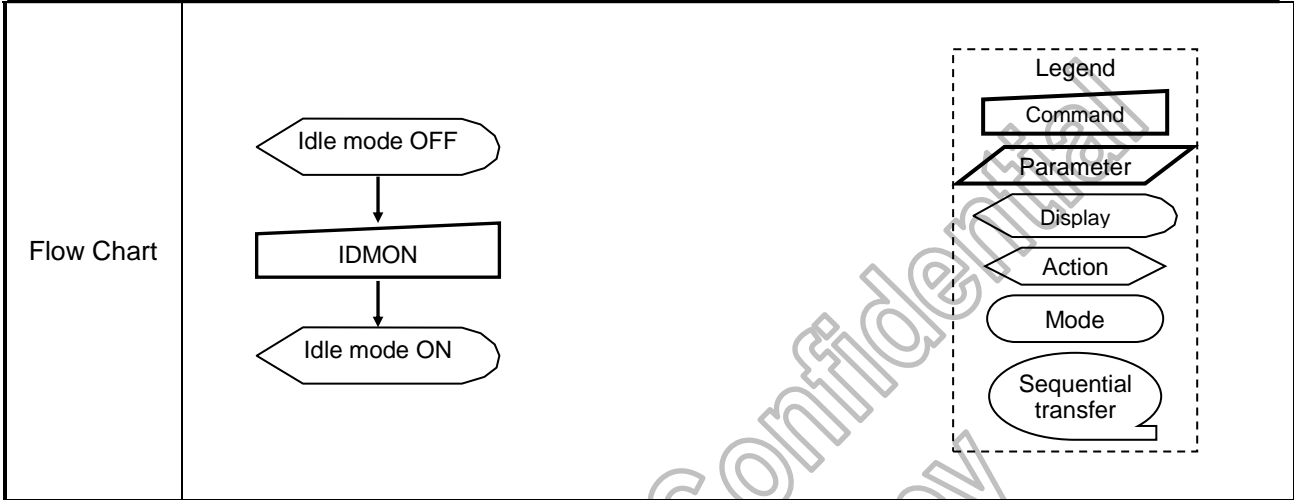
6.2.20 Idle Mode Off (38h)

38 H	IDMOFF (Idle Mode Off)									
	R/W	D7	D6	D5	D4	D3	D2	D1	D0	HEX
Command	Write	0	0	1	1	1	0	0	0	38
Parameter	No Parameter									
Description	This command is used to recover from idle mode on In the idle off mode, display panel can display maximum 16.7M colors									
Restriction	This command has no effect when module is already in idle off mode.									
Register Availability	Status					Availability				
	Normal Mode On, Idle Mode Off, Sleep Out					Yes				
	Normal Mode On, Idle Mode On, Sleep Out					Yes				
	Partial Mode On, Idle Mode Off, Sleep Out					Yes				
	Partial Mode On, Idle Mode On, Sleep Out					Yes				
Sleep In or Booster Off					Yes					
Default	Status					Default Value				
	Power On Sequence					Idle Mode Off				
	S/W Reset					Idle Mode Off				
	H/W Reset					Idle Mode Off				
Flow Chart	<pre> graph TD A([Idle mode ON]) --> B[IDMOFF (38)] B --> C([Idle mode OFF]) </pre> <p>Legend</p> <ul style="list-style-type: none"> Command: Rectangle Parameter: Parallelogram Display: Oval Action: Arrowhead Mode: Rounded rectangle Sequential transfer: Oval with tail 									



6.2.21 Idle Mode On (39h)

39 H	IDMON (Idle Mode on)																																												
	R/W	D7	D6	D5	D4	D3	D2	D1	D0	HEX																																			
Command	Write	0	0	1	1	1	0	0	1	39																																			
Parameter	No Parameter																																												
Description	<p>This command is used to enter idle mode on. In the idle on mode, color expression is reduced. The primary and the secondary colors using MSB of each R, G and B in the Frame Memory, 8 color depth data is displayed.</p> <p>(Example)</p>																																												
	<table border="1"> <thead> <tr> <th>Color</th> <th>R₇ R₆ R₅ R₄ R₃ R₂ R₁ R₀</th> <th>G₇ G₆ G₅ G₄ G₃ G₂ G₁ G₀</th> <th>B₇ B₆ B₅ B₄ B₃ B₂ B₁ B₀</th> </tr> </thead> <tbody> <tr> <td>Black</td> <td>0xxx xxxx</td> <td>0xxx xxxx</td> <td>0xxx xxxx</td> </tr> <tr> <td>Blue</td> <td>0xxx xxxx</td> <td>0xxx xxxx</td> <td>1xxx xxxx</td> </tr> <tr> <td>Red</td> <td>1xxx xxxx</td> <td>0xxx xxxx</td> <td>0xxx xxxx</td> </tr> <tr> <td>Magenta</td> <td>1xxx xxxx</td> <td>0xxx xxxx</td> <td>1xxx xxxx</td> </tr> <tr> <td>Green</td> <td>0xxx xxxx</td> <td>1xxx xxxx</td> <td>0xxx xxxx</td> </tr> <tr> <td>Cyan</td> <td>0xxx xxxx</td> <td>1xxx xxxx</td> <td>1xxx xxxx</td> </tr> <tr> <td>Yellow</td> <td>1xxx xxxx</td> <td>1xxx xxxx</td> <td>0xxx xxxx</td> </tr> <tr> <td>White</td> <td>1xxx xxxx</td> <td>1xxx xxxx</td> <td>1xxx xxxx</td> </tr> </tbody> </table> <p>"x" Don't care</p>										Color	R ₇ R ₆ R ₅ R ₄ R ₃ R ₂ R ₁ R ₀	G ₇ G ₆ G ₅ G ₄ G ₃ G ₂ G ₁ G ₀	B ₇ B ₆ B ₅ B ₄ B ₃ B ₂ B ₁ B ₀	Black	0xxx xxxx	0xxx xxxx	0xxx xxxx	Blue	0xxx xxxx	0xxx xxxx	1xxx xxxx	Red	1xxx xxxx	0xxx xxxx	0xxx xxxx	Magenta	1xxx xxxx	0xxx xxxx	1xxx xxxx	Green	0xxx xxxx	1xxx xxxx	0xxx xxxx	Cyan	0xxx xxxx	1xxx xxxx	1xxx xxxx	Yellow	1xxx xxxx	1xxx xxxx	0xxx xxxx	White	1xxx xxxx	1xxx xxxx
Color	R ₇ R ₆ R ₅ R ₄ R ₃ R ₂ R ₁ R ₀	G ₇ G ₆ G ₅ G ₄ G ₃ G ₂ G ₁ G ₀	B ₇ B ₆ B ₅ B ₄ B ₃ B ₂ B ₁ B ₀																																										
Black	0xxx xxxx	0xxx xxxx	0xxx xxxx																																										
Blue	0xxx xxxx	0xxx xxxx	1xxx xxxx																																										
Red	1xxx xxxx	0xxx xxxx	0xxx xxxx																																										
Magenta	1xxx xxxx	0xxx xxxx	1xxx xxxx																																										
Green	0xxx xxxx	1xxx xxxx	0xxx xxxx																																										
Cyan	0xxx xxxx	1xxx xxxx	1xxx xxxx																																										
Yellow	1xxx xxxx	1xxx xxxx	0xxx xxxx																																										
White	1xxx xxxx	1xxx xxxx	1xxx xxxx																																										
Restriction	This command has no effect when module is already in idle on mode.																																												
Register Availability	Status					Availability																																							
	Normal Mode On, Idle Mode Off, Sleep Out					Yes																																							
	Normal Mode On, Idle Mode On, Sleep Out					Yes																																							
	Partial Mode On, Idle Mode Off, Sleep Out					Yes																																							
	Partial Mode On, Idle Mode On, Sleep Out					Yes																																							
Sleep In or Booster Off					Yes																																								
Default	Status					Default Value																																							
	Power On Sequence					Idle Mode Off																																							
	S/W Reset					Idle Mode Off																																							
	H/W Reset					Idle Mode Off																																							



FORCELEAD Confidential
Do Not Copy



6.2.22 Write Display Brightness (51h)

51 H	WRDISBV (Write Display Brightness)																										
	R/W	D7	D6	D5	D4	D3	D2	D1	D0	HEX																	
Command	Write	0	1	0	1	0	0	0	1	51																	
Parameter	Write	DBV1[7]	DBV1[6]	DBV1[5]	DBV1[4]	DBV1[3]	DBV1[2]	DBV1[1]	DBV1[0]	00h																	
		DBV2[7]	DBV2[6]	DBV2[5]	DBV2[4]	DBV2[3]	DBV2[2]	DBV2[1]	DBV2[0]	00h																	
Description	This command is used to adjust brightness value. In principle relationship is that 00h value means the lowest brightness and FFh value means the highest brightness.																										
	<table border="1"> <thead> <tr> <th>DBV[7:0]</th> <th>Brightness Ratio</th> <th>Brightness %</th> </tr> </thead> <tbody> <tr> <td>00h</td> <td>0/256</td> <td>0%</td> </tr> <tr> <td>01h</td> <td>1/256</td> <td>0.39%</td> </tr> <tr> <td>:</td> <td>:</td> <td>:</td> </tr> <tr> <td>FEh</td> <td>255/256</td> <td>99.6%</td> </tr> <tr> <td>FFh</td> <td>256/256</td> <td>100%</td> </tr> </tbody> </table>										DBV[7:0]	Brightness Ratio	Brightness %	00h	0/256	0%	01h	1/256	0.39%	:	:	:	FEh	255/256	99.6%	FFh	256/256
DBV[7:0]	Brightness Ratio	Brightness %																									
00h	0/256	0%																									
01h	1/256	0.39%																									
:	:	:																									
FEh	255/256	99.6%																									
FFh	256/256	100%																									
Restriction	The display supplier cannot use this command for tuning (e.g. factory tuning, etc.).																										
Register Availability	<table border="1"> <thead> <tr> <th>Status</th> <th>Availability</th> </tr> </thead> <tbody> <tr> <td>Normal Mode On, Idle Mode Off, Sleep Out</td> <td>Yes</td> </tr> <tr> <td>Normal Mode On, Idle Mode On, Sleep Out</td> <td>Yes</td> </tr> <tr> <td>Partial Mode On, Idle Mode Off, Sleep Out</td> <td>Yes</td> </tr> <tr> <td>Partial Mode On, Idle Mode On, Sleep Out</td> <td>Yes</td> </tr> <tr> <td>Sleep In or Booster Off</td> <td>Yes</td> </tr> </tbody> </table>										Status	Availability	Normal Mode On, Idle Mode Off, Sleep Out	Yes	Normal Mode On, Idle Mode On, Sleep Out	Yes	Partial Mode On, Idle Mode Off, Sleep Out	Yes	Partial Mode On, Idle Mode On, Sleep Out	Yes	Sleep In or Booster Off	Yes					
	Status	Availability																									
Normal Mode On, Idle Mode Off, Sleep Out	Yes																										
Normal Mode On, Idle Mode On, Sleep Out	Yes																										
Partial Mode On, Idle Mode Off, Sleep Out	Yes																										
Partial Mode On, Idle Mode On, Sleep Out	Yes																										
Sleep In or Booster Off	Yes																										
Default	<table border="1"> <thead> <tr> <th>Status</th> <th>Default Value</th> </tr> </thead> <tbody> <tr> <td>Power On Sequence</td> <td>00h</td> </tr> <tr> <td>S/W Reset</td> <td>00h</td> </tr> <tr> <td>H/W Reset</td> <td>00h</td> </tr> </tbody> </table>										Status	Default Value	Power On Sequence	00h	S/W Reset	00h	H/W Reset	00h									
	Status	Default Value																									
Power On Sequence	00h																										
S/W Reset	00h																										
H/W Reset	00h																										
Flow Chart	<pre> graph TD A[WRDISBV] --> B[/DBV[7:0]/] B --> C{{New Brightness Loaded}} </pre> <p>Legend:</p> <ul style="list-style-type: none"> Command: Rectangle Parameter: Parallelogram Display: Oval Action: Arrowhead Mode: Oval Sequential transfer: Oval with tail 																										



6.2.23 Read Display Brightness (52h)

52 H	RDISBV (Read Display Brightness)									
	R/W	D7	D6	D5	D4	D3	D2	D1	D0	HEX
Command	Read	0	1	0	1	0	0	1	0	52
Parameter	Read	DBV1[7]	DBV1[6]	DBV1[5]	DBV1[4]	DBV1[3]	DBV1[2]	DBV1[1]	DBV1[0]	00h
		DBV2[7]	DBV2[6]	DBV2[5]	DBV2[4]	DBV2[3]	DBV2[2]	DBV2[1]	DBV2[0]	00h
Description	This command is used to read brightness value. In principle relationship is that 00h value means the lowest brightness and FFh value means the highest brightness.									
Restriction	-									
Register Availability	Status					Availability				
	Normal Mode On, Idle Mode Off, Sleep Out					Yes				
	Normal Mode On, Idle Mode On, Sleep Out					Yes				
	Partial Mode On, Idle Mode Off, Sleep Out					Yes				
	Partial Mode On, Idle Mode On, Sleep Out					Yes				
Sleep In or Booster Off					Yes					
Default	Status					Default Value				
	Power On Sequence					00h				
	S/W Reset					00h				
	H/W Reset					00h				
Flow Chart	<p>Serial I/F Mode</p> <pre> graph TD A[Command: RDISBV] --> B[/Parameter: Send D[7:0]/] B -.-> C[Host Driver] </pre> <p>Legend</p> <ul style="list-style-type: none"> Command: Rectangle Parameter: Parallelogram Display: Oval Action: Arrowhead Mode: Oval Sequential transfer: Oval with tail 									



6.2.24 Write CTRL Display (53h)

53 H	WRCTRLD (Write CTRL Display Value)									
	R/W	D7	D6	D5	D4	D3	D2	D1	D0	HEX
Command	Write	0	1	0	1	0	0	1	1	53
Parameter	Write	0	0	BCTRL	0	DD	BL	0	0	-
Description	This command is used to control display brightness.									
	Bits	Value								
	BCTRL	'0' off, DBV[7:0] is 00h; PWM keep low '1' On, DBV[7:0] is active; PWM output								
	DD	'0' Brightness dimming is off '1' Brightness dimming is on								
BL	'0' Backlight Control is off '1' Backlight Control is on									
	-									
Restriction	-									
Register Availability	Status					Availability				
	Normal Mode On, Idle Mode Off, Sleep Out					Yes				
	Normal Mode On, Idle Mode On, Sleep Out					Yes				
	Partial Mode On, Idle Mode Off, Sleep Out					Yes				
	Partial Mode On, Idle Mode On, Sleep Out					Yes				
Default	Status					Default Value				
	Power On Sequence					00h				
	S/W Reset					00h				
	H/W Reset					00h				
Flow Chart	<pre> graph TD A[WRCTRLD] --> B[/BCTRL, DD, BL/] B --> C{{New Control Value Loaded}} </pre>									
	<div style="border: 1px dashed black; padding: 5px;"> <p>Legend</p> <ul style="list-style-type: none"> Command Parameter Display Action Mode Sequential transfer </div>									



6.2.25 Read CTRL Display Value (54h)

54 H	RDCTRLD (Read CTRL Display Value)																					
	R/W	D7	D6	D5	D4	D3	D2	D1	D0	HEX												
Command	Read	0	1	0	1	0	1	0	0	54												
Parameter	Read	0	0	BCTRL	0	DD	BL	0	0	-												
Description	This command is used to read brightness value. In principle relationship is that 00h value means the lowest brightness and FFh value means the highest brightness.																					
Restriction	-																					
Register Availability	<table border="1"> <thead> <tr> <th>Status</th> <th>Availability</th> </tr> </thead> <tbody> <tr> <td>Normal Mode On, Idle Mode Off, Sleep Out</td> <td>Yes</td> </tr> <tr> <td>Normal Mode On, Idle Mode On, Sleep Out</td> <td>Yes</td> </tr> <tr> <td>Partial Mode On, Idle Mode Off, Sleep Out</td> <td>Yes</td> </tr> <tr> <td>Partial Mode On, Idle Mode On, Sleep Out</td> <td>Yes</td> </tr> <tr> <td>Sleep In or Booster Off</td> <td>Yes</td> </tr> </tbody> </table>										Status	Availability	Normal Mode On, Idle Mode Off, Sleep Out	Yes	Normal Mode On, Idle Mode On, Sleep Out	Yes	Partial Mode On, Idle Mode Off, Sleep Out	Yes	Partial Mode On, Idle Mode On, Sleep Out	Yes	Sleep In or Booster Off	Yes
Status	Availability																					
Normal Mode On, Idle Mode Off, Sleep Out	Yes																					
Normal Mode On, Idle Mode On, Sleep Out	Yes																					
Partial Mode On, Idle Mode Off, Sleep Out	Yes																					
Partial Mode On, Idle Mode On, Sleep Out	Yes																					
Sleep In or Booster Off	Yes																					
Default	<table border="1"> <thead> <tr> <th>Status</th> <th>Default Value</th> </tr> </thead> <tbody> <tr> <td>Power On Sequence</td> <td>00h</td> </tr> <tr> <td>S/W Reset</td> <td>00h</td> </tr> <tr> <td>H/W Reset</td> <td>00h</td> </tr> </tbody> </table>										Status	Default Value	Power On Sequence	00h	S/W Reset	00h	H/W Reset	00h				
Status	Default Value																					
Power On Sequence	00h																					
S/W Reset	00h																					
H/W Reset	00h																					
Flow Chart	<p>The flow chart illustrates the process of sending the RDCTRLD command. It starts with 'Serial I/F Mode' leading to a 'Command' box labeled 'RDCTRLD'. An arrow points down to a 'Parameter' box labeled 'Send D[7:0]'. A dotted line labeled 'Host Driver' connects the parameter box to the right. A legend on the right defines symbols: a rectangle for 'Command', a parallelogram for 'Parameter', a rounded rectangle for 'Display', a chevron for 'Action', an oval for 'Mode', and a speech bubble for 'Sequential transfer'.</p>																					



6.2.26 Write Content Adaptive Brightness Control (55h)

55 H	WRCABC (Write Content Adaptive Brightness Control)									
	R/W	D7	D6	D5	D4	D3	D2	D1	D0	HEX
Command	Write	0	1	0	1	0	1	0	1	55
Parameter	Write	0	0	0	0	0	0	C1	C0	-
Description	This command is used to set parameters for image content based adaptive brightness control functionality.									
	C1	C0	Function							
	0	0	Off							
	0	1	User Interface Image (UI mode)							
	1	0	Still Picture Image (Still mode)							
	1	1	Moving Picture Image (Moving mode)							
Restriction	This register is synchronized with V-sync by internal circuit.									
Register Availability	Status					Availability				
	Normal Mode On, Idle Mode Off, Sleep Out					Yes				
	Normal Mode On, Idle Mode On, Sleep Out					Yes				
	Partial Mode On, Idle Mode Off, Sleep Out					Yes				
	Partial Mode On, Idle Mode On, Sleep Out					Yes				
	Sleep In or Booster Off					Yes				
Default	Status					Default Value				
	Power On Sequence					00h				
	S/W Reset					00h				
	H/W Reset					00h				
Flow Chart	<pre> graph TD WRCABC[Command] --> C10[/Parameter C[1:0]/] C10 --> NewMode{{Action: New Adaptive Image Mode}} </pre> <p>Legend</p> <ul style="list-style-type: none"> Command: Rectangle Parameter: Parallelogram Display: Oval Action: Arrowhead Mode: Oval Sequential transfer: Oval with tail 									



6.2.27 Read Content Adaptive Brightness Control (56h)

56 H	RDCABC (Read Content Adaptive Brightness Control)									
	R/W	D7	D6	D5	D4	D3	D2	D1	D0	HEX
Command	Read	0	1	0	1	1	1	1	0	56
Parameter	Read	0	0	0	0	0	0	C1	C0	-
Description	This command is used to read parameters for image content based adaptive brightness control functionality.									
	C1	C0	Function							
	0	0	Off							
	0	1	User Interface Image (UI mode)							
	1	0	Still Picture Image (Still mode)							
	1	1	Moving Picture Image (Moving mode)							
Restriction	-									
Register Availability	Status					Availability				
	Normal Mode On, Idle Mode Off, Sleep Out					Yes				
	Normal Mode On, Idle Mode On, Sleep Out					Yes				
	Partial Mode On, Idle Mode Off, Sleep Out					Yes				
	Partial Mode On, Idle Mode On, Sleep Out					Yes				
	Sleep In or Booster Off					Yes				
Default	Status					Default Value				
	Power On Sequence					00h				
	S/W Reset					00h				
	H/W Reset					00h				
Flow Chart	<div style="display: flex; align-items: center;"> <div style="margin-right: 20px;"> <p>Serial I/F Mode</p> <div style="border: 1px solid black; padding: 5px; width: fit-content; margin: 0 auto;">RDCABC</div> <p>↓</p> <div style="border: 1px solid black; padding: 5px; width: fit-content; margin: 0 auto;">Send D[7:0]</div> </div> <div style="margin-left: 20px;"> <p>Host Driver</p> </div> </div>									
	<div style="border: 1px dashed black; padding: 10px;"> <p>Legend</p> <div style="display: flex; flex-direction: column; gap: 5px;"> <div style="border: 1px solid black; width: 50px; height: 15px; margin: 0 auto;"></div> <div style="border: 1px solid black; width: 50px; height: 15px; transform: rotate(-15deg); margin: 0 auto;"></div> <div style="border: 1px solid black; width: 50px; height: 15px; border-radius: 5px; margin: 0 auto;"></div> <div style="border: 1px solid black; width: 50px; height: 15px; border-radius: 5px; margin: 0 auto;"></div> <div style="border: 1px solid black; width: 50px; height: 15px; border-radius: 5px; margin: 0 auto;"></div> <div style="border: 1px solid black; width: 50px; height: 15px; border-radius: 5px; margin: 0 auto;"></div> </div> </div>									



6.2.28 Write CABC Minimum Brightness (5Eh)

5E H	WRCABCMB (Write CABC minimum brightness)									
	R/W	D7	D6	D5	D4	D3	D2	D1	D0	HEX
Command	Write	0	1	0	1	1	1	1	0	5E
Parameter	Write	CMB1[7]	CMB1[6]	CMB1[5]	CMB1[4]	CMB1[3]	CMB1[2]	CMB1[1]	CMB1[0]	00h
		CMB2[7]	CMB2[6]	CMB2[5]	CMB2[4]	CMB2[3]	CMB2[2]	CMB2[1]	CMB2[0]	00h
Description	This command is used to set the minimum brightness value of the display for CABC function. In principle relationship is that 00h value means the lowest brightness for CABC and FFh value means the highest brightness for CABC.									
Restriction	-									
Register Availability	Status					Availability				
	Normal Mode On, Idle Mode Off, Sleep Out					Yes				
	Normal Mode On, Idle Mode On, Sleep Out					Yes				
	Partial Mode On, Idle Mode Off, Sleep Out					Yes				
	Partial Mode On, Idle Mode On, Sleep Out					Yes				
	Sleep In or Booster Off					Yes				
Default	Status					Default Value				
	Power On Sequence					00h				
	S/W Reset					00h				
	H/W Reset					00h				
Flow Chart	<pre> graph TD WRCABCMB[Command] --> CMB70[/Parameter CMB[7:0]/] CMB70 --> NewLum{Action New Display Luminance Value Loaded} </pre>									



6.2.29 Read CABC minimum brightness (5Fh)

5F H	RDCABCMB (Read CABC minimum brightness)									
	R/W	D7	D6	D5	D4	D3	D2	D1	D0	HEX
Command	Read	0	1	0	1	1	1	1	1	5F
Parameter	Read	CMB1[7]	CMB1[6]	CMB1[5]	CMB1[4]	CMB1[3]	CMB1[2]	CMB1[1]	CMB1[0]	00h
		CMB2[7]	CMB2[6]	CMB2[5]	CMB2[4]	CMB2[3]	CMB2[2]	CMB2[1]	CMB2[0]	00h
Description	This command is used to read the minimum brightness value of the display for CABC function. In principle relationship is that 00h value means the lowest brightness for CABC and FFh value means the highest brightness for CABC.									
Restriction	-									
Register Availability	Status					Availability				
	Normal Mode On, Idle Mode Off, Sleep Out					Yes				
	Normal Mode On, Idle Mode On, Sleep Out					Yes				
	Partial Mode On, Idle Mode Off, Sleep Out					Yes				
	Partial Mode On, Idle Mode On, Sleep Out					Yes				
Sleep In or Booster Off					Yes					
Default	Status					Default Value				
	Power On Sequence					00h				
	S/W Reset					00h				
	H/W Reset					00h				
Flow Chart	<p>The flow chart illustrates the process of reading the RDCABCMB register. It starts with the 'Serial I/F Mode' where the 'RDCABCMB' command is issued. This leads to the 'Send D[7:0]' parameter being sent to the 'Host Driver'. A legend on the right defines the symbols used: a rectangle for 'Command', a parallelogram for 'Parameter', an oval for 'Display', a diamond for 'Action', a rounded rectangle for 'Mode', and a speech bubble for 'Sequential transfer'.</p>									



6.2.30 Read Black/White Low Bits (70h)

70 H	RDBWLB (Read Black White Low Bits)									
	R/W	D7	D6	D5	D4	D3	D2	D1	D0	HEX
Command	Read	0	1	1	1	0	0	0	0	70
Parameter	Read	Bkx1	Bkx0	Bky1	Bky0	Wx1	Wx0	Wy1	Wy0	-
Description	This command returns the lowest bits of black and white color characteristic. Black: Bkx and Bky White: Wx and Wy									
Restriction	-									
Register Availability	Status					Availability				
	Normal Mode On, Idle Mode Off, Sleep Out					Yes				
	Normal Mode On, Idle Mode On, Sleep Out					Yes				
	Partial Mode On, Idle Mode Off, Sleep Out					Yes				
	Partial Mode On, Idle Mode On, Sleep Out					Yes				
Default	Status					Default Value				
	Power On Sequence					Before OTP		After OTP		
	S/W Reset					00h		OTP Value		
	H/W Reset					00h		OTP Value		
	Sleep In or Booster Off					Yes				
Flow Chart	<p>Serial I/F Mode</p> <pre> graph TD RDBWLB[Command] --> Send[Send D[7:0]] Send --- Host[Host Driver] </pre> <p>Legend</p> <ul style="list-style-type: none"> Command: Rectangle Parameter: Parallelogram Display: Oval Action: Arrowhead Mode: Oval Sequential transfer: Oval with tail 									



6.2.31 Read Bkx (71h)

71 H	RDBkx (Read Bkx)																							
	R/W	D7	D6	D5	D4	D3	D2	D1	D0	HEX														
Command	Read	0	1	1	1	0	0	0	1	71														
Parameter	Read	Bkx9	Bkx8	Bkx7	Bkx6	Bkx5	Bkx4	Bkx3	Bkx2	-														
Description	This command returns the Bkx bits of black color characteristic.																							
Restriction	-																							
Register Availability	<table border="1"> <thead> <tr> <th>Status</th> <th>Availability</th> </tr> </thead> <tbody> <tr> <td>Normal Mode On, Idle Mode Off, Sleep Out</td> <td>Yes</td> </tr> <tr> <td>Normal Mode On, Idle Mode On, Sleep Out</td> <td>Yes</td> </tr> <tr> <td>Partial Mode On, Idle Mode Off, Sleep Out</td> <td>Yes</td> </tr> <tr> <td>Partial Mode On, Idle Mode On, Sleep Out</td> <td>Yes</td> </tr> <tr> <td>Sleep In or Booster Off</td> <td>Yes</td> </tr> </tbody> </table>										Status	Availability	Normal Mode On, Idle Mode Off, Sleep Out	Yes	Normal Mode On, Idle Mode On, Sleep Out	Yes	Partial Mode On, Idle Mode Off, Sleep Out	Yes	Partial Mode On, Idle Mode On, Sleep Out	Yes	Sleep In or Booster Off	Yes		
Status	Availability																							
Normal Mode On, Idle Mode Off, Sleep Out	Yes																							
Normal Mode On, Idle Mode On, Sleep Out	Yes																							
Partial Mode On, Idle Mode Off, Sleep Out	Yes																							
Partial Mode On, Idle Mode On, Sleep Out	Yes																							
Sleep In or Booster Off	Yes																							
Default	<table border="1"> <thead> <tr> <th rowspan="2">Status</th> <th colspan="2">Default Value</th> </tr> <tr> <th>Before OTP</th> <th>After OTP</th> </tr> </thead> <tbody> <tr> <td>Power On Sequence</td> <td>00h</td> <td>OTP Value</td> </tr> <tr> <td>S/W Reset</td> <td>00h</td> <td>OTP Value</td> </tr> <tr> <td>H/W Reset</td> <td>00h</td> <td>OTP Value</td> </tr> </tbody> </table>										Status	Default Value		Before OTP	After OTP	Power On Sequence	00h	OTP Value	S/W Reset	00h	OTP Value	H/W Reset	00h	OTP Value
Status	Default Value																							
	Before OTP	After OTP																						
Power On Sequence	00h	OTP Value																						
S/W Reset	00h	OTP Value																						
H/W Reset	00h	OTP Value																						
Flow Chart	<pre> graph TD subgraph "Serial I/F Mode" RDBkx[Command] --> SendD[Send D[7:0]] end SendD -.-> Host Driver HostDriver[Host Driver] </pre> <p>Legend:</p> <ul style="list-style-type: none"> Command: Rectangle Parameter: Parallelogram Display: Oval Action: Arrow Mode: Circle Sequential transfer: Double-line oval 																							



6.2.32 Read Bky (72h)

72 H	RDBky (Read Bky)																							
	R/W	D7	D6	D5	D4	D3	D2	D1	D0	HEX														
Command	Read	0	1	1	1	0	0	1	0	72														
Parameter	Read	Bky9	Bky8	Bky7	Bky6	Bky5	Bky4	Bky3	Bky2	-														
Description	This command returns the Bky bits of black color characteristic.																							
Restriction	-																							
Register Availability	<table border="1"> <thead> <tr> <th>Status</th> <th>Availability</th> </tr> </thead> <tbody> <tr> <td>Normal Mode On, Idle Mode Off, Sleep Out</td> <td>Yes</td> </tr> <tr> <td>Normal Mode On, Idle Mode On, Sleep Out</td> <td>Yes</td> </tr> <tr> <td>Partial Mode On, Idle Mode Off, Sleep Out</td> <td>Yes</td> </tr> <tr> <td>Partial Mode On, Idle Mode On, Sleep Out</td> <td>Yes</td> </tr> <tr> <td>Sleep In or Booster Off</td> <td>Yes</td> </tr> </tbody> </table>										Status	Availability	Normal Mode On, Idle Mode Off, Sleep Out	Yes	Normal Mode On, Idle Mode On, Sleep Out	Yes	Partial Mode On, Idle Mode Off, Sleep Out	Yes	Partial Mode On, Idle Mode On, Sleep Out	Yes	Sleep In or Booster Off	Yes		
Status	Availability																							
Normal Mode On, Idle Mode Off, Sleep Out	Yes																							
Normal Mode On, Idle Mode On, Sleep Out	Yes																							
Partial Mode On, Idle Mode Off, Sleep Out	Yes																							
Partial Mode On, Idle Mode On, Sleep Out	Yes																							
Sleep In or Booster Off	Yes																							
Default	<table border="1"> <thead> <tr> <th rowspan="2">Status</th> <th colspan="2">Default Value</th> </tr> <tr> <th>Before OTP</th> <th>After OTP</th> </tr> </thead> <tbody> <tr> <td>Power On Sequence</td> <td>00h</td> <td>OTP Value</td> </tr> <tr> <td>S/W Reset</td> <td>00h</td> <td>OTP Value</td> </tr> <tr> <td>H/W Reset</td> <td>00h</td> <td>OTP Value</td> </tr> </tbody> </table>										Status	Default Value		Before OTP	After OTP	Power On Sequence	00h	OTP Value	S/W Reset	00h	OTP Value	H/W Reset	00h	OTP Value
Status	Default Value																							
	Before OTP	After OTP																						
Power On Sequence	00h	OTP Value																						
S/W Reset	00h	OTP Value																						
H/W Reset	00h	OTP Value																						
Flow Chart	<div style="display: flex; align-items: center;"> <div style="margin-right: 20px;"> <p>Serial I/F Mode</p> <div style="border: 1px solid black; padding: 5px; width: 80px; margin: 10px auto;">RDBky</div> <div style="text-align: center; margin: 5px 0;">↓</div> <div style="border: 1px solid black; padding: 5px; width: 150px; margin: 10px auto;">Send D[7:0]</div> </div> <div style="margin-left: 20px;"> <p>Host Driver</p> </div> </div> <div style="margin-top: 20px; border: 1px dashed black; padding: 10px;"> <p>Legend</p> <ul style="list-style-type: none"> <div style="border: 1px solid black; width: 100px; height: 15px; margin-bottom: 5px;"></div>Command <div style="border: 1px solid black; width: 100px; height: 15px; transform: rotate(-15deg); margin-bottom: 5px;"></div>Parameter <div style="border: 1px solid black; width: 100px; height: 15px; border-radius: 10px; margin-bottom: 5px;"></div>Display <div style="border: 1px solid black; width: 100px; height: 15px; border-radius: 10px; margin-bottom: 5px;"></div>Action <div style="border: 1px solid black; width: 100px; height: 15px; border-radius: 10px; margin-bottom: 5px;"></div>Mode <div style="border: 1px solid black; width: 100px; height: 15px; border-radius: 10px; margin-bottom: 5px;"></div>Sequential transfer </div>																							



6.2.33 Read Wx (73h)

73 H	RDWx (Read Wx)																							
	R/W	D7	D6	D5	D4	D3	D2	D1	D0	HEX														
Command	Read	0	1	1	1	0	0	1	1	73														
Parameter	Read	Wx9	Wx8	Wx7	Wx6	Wx5	Wx4	Wx3	Wx2	-														
Description	This command returns the Wx bits of White color characteristic.																							
Restriction	-																							
Register Availability	<table border="1"> <thead> <tr> <th>Status</th> <th>Availability</th> </tr> </thead> <tbody> <tr> <td>Normal Mode On, Idle Mode Off, Sleep Out</td> <td>Yes</td> </tr> <tr> <td>Normal Mode On, Idle Mode On, Sleep Out</td> <td>Yes</td> </tr> <tr> <td>Partial Mode On, Idle Mode Off, Sleep Out</td> <td>Yes</td> </tr> <tr> <td>Partial Mode On, Idle Mode On, Sleep Out</td> <td>Yes</td> </tr> <tr> <td>Sleep In or Booster Off</td> <td>Yes</td> </tr> </tbody> </table>										Status	Availability	Normal Mode On, Idle Mode Off, Sleep Out	Yes	Normal Mode On, Idle Mode On, Sleep Out	Yes	Partial Mode On, Idle Mode Off, Sleep Out	Yes	Partial Mode On, Idle Mode On, Sleep Out	Yes	Sleep In or Booster Off	Yes		
Status	Availability																							
Normal Mode On, Idle Mode Off, Sleep Out	Yes																							
Normal Mode On, Idle Mode On, Sleep Out	Yes																							
Partial Mode On, Idle Mode Off, Sleep Out	Yes																							
Partial Mode On, Idle Mode On, Sleep Out	Yes																							
Sleep In or Booster Off	Yes																							
Default	<table border="1"> <thead> <tr> <th rowspan="2">Status</th> <th colspan="2">Default Value</th> </tr> <tr> <th>Before OTP</th> <th>After OTP</th> </tr> </thead> <tbody> <tr> <td>Power On Sequence</td> <td>00h</td> <td>OTP Value</td> </tr> <tr> <td>S/W Reset</td> <td>00h</td> <td>OTP Value</td> </tr> <tr> <td>H/W Reset</td> <td>00h</td> <td>OTP Value</td> </tr> </tbody> </table>										Status	Default Value		Before OTP	After OTP	Power On Sequence	00h	OTP Value	S/W Reset	00h	OTP Value	H/W Reset	00h	OTP Value
Status	Default Value																							
	Before OTP	After OTP																						
Power On Sequence	00h	OTP Value																						
S/W Reset	00h	OTP Value																						
H/W Reset	00h	OTP Value																						
Flow Chart	<pre> graph TD subgraph "Serial I/F Mode" RDWx[RDWx] end RDWx --> Send[Send D[7:0]] Send -.-> Host Driver Send </pre> <p>Legend:</p> <ul style="list-style-type: none"> Command: Rectangle Parameter: Parallelogram Display: Arrow pointing right Action: Arrow pointing left Mode: Oval Sequential transfer: Oval with tail 																							



6.2.34 Read Wy (74h)

74 H	RDWy (Read Wy)									
	R/W	D7	D6	D5	D4	D3	D2	D1	D0	HEX
Command	Read	0	1	1	1	0	1	0	0	74
Parameter	Read	Wy9	Wy8	Wy7	Wy6	Wy5	Wy4	Wy3	Wy2	-
Description	This command returns the Wy bits of White color characteristic.									
Restriction	-									
Register Availability	Status					Availability				
	Normal Mode On, Idle Mode Off, Sleep Out					Yes				
	Normal Mode On, Idle Mode On, Sleep Out					Yes				
	Partial Mode On, Idle Mode Off, Sleep Out					Yes				
	Partial Mode On, Idle Mode On, Sleep Out					Yes				
	Sleep In or Booster Off					Yes				
Default	Status					Default Value				
						Before OTP		After OTP		
	Power On Sequence					00h		OTP Value		
	S/W Reset					00h		OTP Value		
	H/W Reset					00h		OTP Value		
Flow Chart	<p>Serial I/F Mode</p> <pre> graph TD RDWy[RDWy] --> Send[Send D[7:0]] Send -.-> Host[Host Driver] </pre> <p>Legend</p> <ul style="list-style-type: none"> Command: Rectangle Parameter: Parallelogram Display: Arrow pointing right Action: Arrow pointing left Mode: Oval Sequential transfer: Oval with tail 									



6.2.35 Read Red/Green Low Bits (75h)

75 H	RDRGLB (Read Red Green Low Bits)									
	R/W	D7	D6	D5	D4	D3	D2	D1	D0	HEX
Command	Read	0	1	1	1	0	1	0	1	75
Parameter	Read	Rx1	Rx0	Ry1	Ry0	Gx1	Gx0	Gy1	Gy0	-
Description	This command returns the lowest bits of Red and Green color characteristic. Red: Rx and Ry Green: Gx and Gy									
Restriction	-									
Register Availability	Status					Availability				
	Normal Mode On, Idle Mode Off, Sleep Out					Yes				
	Normal Mode On, Idle Mode On, Sleep Out					Yes				
	Partial Mode On, Idle Mode Off, Sleep Out					Yes				
	Partial Mode On, Idle Mode On, Sleep Out					Yes				
Default	Status					Default Value				
	Power On Sequence					Before OTP		After OTP		
	S/W Reset					00h		OTP Value		
	H/W Reset					00h		OTP Value		
Flow Chart	<p>Serial I/F Mode</p> <pre> graph TD RDRGLB[Command] --> Send[Send D[7:0]] Send --- Host[Host Driver] </pre> <p>Legend</p> <ul style="list-style-type: none"> Command: [] Parameter: / Display: > Action: > Mode: > Sequential transfer: > 									



6.2.36 Read Rx (76h)

76 H	RDRx (Read Rx)																							
	R/W	D7	D6	D5	D4	D3	D2	D1	D0	HEX														
Command	Read	0	1	1	1	0	1	1	0	76														
Parameter	Read	Rx9	Rx8	Rx7	Rx6	Rx5	Rx4	Rx3	Rx2	-														
Description	This command returns the Rx bits of Red color characteristic.																							
Restriction	-																							
Register Availability	<table border="1"> <thead> <tr> <th>Status</th> <th>Availability</th> </tr> </thead> <tbody> <tr> <td>Normal Mode On, Idle Mode Off, Sleep Out</td> <td>Yes</td> </tr> <tr> <td>Normal Mode On, Idle Mode On, Sleep Out</td> <td>Yes</td> </tr> <tr> <td>Partial Mode On, Idle Mode Off, Sleep Out</td> <td>Yes</td> </tr> <tr> <td>Partial Mode On, Idle Mode On, Sleep Out</td> <td>Yes</td> </tr> <tr> <td>Sleep In or Booster Off</td> <td>Yes</td> </tr> </tbody> </table>					Status	Availability	Normal Mode On, Idle Mode Off, Sleep Out	Yes	Normal Mode On, Idle Mode On, Sleep Out	Yes	Partial Mode On, Idle Mode Off, Sleep Out	Yes	Partial Mode On, Idle Mode On, Sleep Out	Yes	Sleep In or Booster Off	Yes							
Status	Availability																							
Normal Mode On, Idle Mode Off, Sleep Out	Yes																							
Normal Mode On, Idle Mode On, Sleep Out	Yes																							
Partial Mode On, Idle Mode Off, Sleep Out	Yes																							
Partial Mode On, Idle Mode On, Sleep Out	Yes																							
Sleep In or Booster Off	Yes																							
Default	<table border="1"> <thead> <tr> <th rowspan="2">Status</th> <th colspan="2">Default Value</th> </tr> <tr> <th>Before OTP</th> <th>After OTP</th> </tr> </thead> <tbody> <tr> <td>Power On Sequence</td> <td>00h</td> <td>OTP Value</td> </tr> <tr> <td>S/W Reset</td> <td>00h</td> <td>OTP Value</td> </tr> <tr> <td>H/W Reset</td> <td>00h</td> <td>OTP Value</td> </tr> </tbody> </table>					Status	Default Value		Before OTP	After OTP	Power On Sequence	00h	OTP Value	S/W Reset	00h	OTP Value	H/W Reset	00h	OTP Value					
Status	Default Value																							
	Before OTP	After OTP																						
Power On Sequence	00h	OTP Value																						
S/W Reset	00h	OTP Value																						
H/W Reset	00h	OTP Value																						
Flow Chart	<div style="display: flex; align-items: center;"> <div style="text-align: center;"> <p>Serial I/F Mode</p> <div style="border: 1px solid black; padding: 5px; width: 80px; margin: 0 auto;">RDRx</div> <p>↓</p> <div style="border: 1px solid black; padding: 5px; width: 150px; margin: 0 auto;">Send D[7:0]</div> </div> <div style="margin-left: 20px;"> <p>Host Driver</p> </div> </div> <div style="margin-left: 20px; border: 1px dashed black; padding: 10px;"> <p>Legend</p> <div style="display: flex; flex-direction: column; gap: 10px;"> <div style="border: 1px solid black; width: 100px; height: 15px; margin: 0 auto;"></div> <div style="border: 1px solid black; width: 100px; height: 15px; margin: 0 auto; transform: rotate(-15deg);"></div> <div style="border: 1px solid black; width: 100px; height: 15px; margin: 0 auto; border-radius: 10px;"></div> <div style="border: 1px solid black; width: 100px; height: 15px; margin: 0 auto; border-radius: 10px;"></div> <div style="border: 1px solid black; width: 100px; height: 15px; margin: 0 auto; border-radius: 10px;"></div> <div style="border: 1px solid black; width: 100px; height: 15px; margin: 0 auto; border-radius: 10px;"></div> </div> </div>																							



6.2.37 Read Ry (77h)

77 H	RDRy (Read Ry)									
	R/W	D7	D6	D5	D4	D3	D2	D1	D0	HEX
Command	Read	0	1	1	1	0	1	1	1	77
Parameter	Read	Ry9	Ry8	Ry7	Ry6	Ry5	Ry4	Ry3	Ry2	-
Description	This command returns the Ry bits of Red color characteristic.									
Restriction	-									
Register Availability	Status					Availability				
	Normal Mode On, Idle Mode Off, Sleep Out					Yes				
	Normal Mode On, Idle Mode On, Sleep Out					Yes				
	Partial Mode On, Idle Mode Off, Sleep Out					Yes				
	Partial Mode On, Idle Mode On, Sleep Out					Yes				
	Sleep In or Booster Off					Yes				
Default	Status					Default Value				
						Before OTP		After OTP		
	Power On Sequence					00h		OTP Value		
	S/W Reset					00h		OTP Value		
	H/W Reset					00h		OTP Value		
Flow Chart	<p>Serial I/F Mode</p> <pre> graph TD RDRy[Command: RDRy] --> Send[Parameter: Send D[7:0]] Send -.-> Host[Host Driver] </pre> <p>Legend</p> <ul style="list-style-type: none"> Command: Rectangle Parameter: Parallelogram Display: Arrow pointing right Action: Arrow pointing left Mode: Oval Sequential transfer: Oval with tail 									



6.2.38 Read Gx (78h)

78 H	RDGx (Read Gx)									
	R/W	D7	D6	D5	D4	D3	D2	D1	D0	HEX
Command	Read	0	1	1	1	1	0	0	0	78
Parameter	Read	Gx9	Gx8	Gx7	Gx6	Gx5	Gx4	Gx3	Gx2	-
Description	This command returns the Gx bits of Green color characteristic.									
Restriction	-									
Register Availability	Status					Availability				
	Normal Mode On, Idle Mode Off, Sleep Out					Yes				
	Normal Mode On, Idle Mode On, Sleep Out					Yes				
	Partial Mode On, Idle Mode Off, Sleep Out					Yes				
	Partial Mode On, Idle Mode On, Sleep Out					Yes				
	Sleep In or Booster Off					Yes				
Default	Status					Default Value				
						Before OTP		After OTP		
	Power On Sequence					00h		OTP Value		
	S/W Reset					00h		OTP Value		
	H/W Reset					00h		OTP Value		
Flow Chart	<div style="display: flex; align-items: center;"> <div style="text-align: center;"> <p>Serial I/F Mode</p> <div style="border: 1px solid black; padding: 5px; width: 80px; margin: 0 auto;">RDGx</div> <p>↓</p> <div style="border: 1px solid black; padding: 5px; width: 150px; margin: 0 auto;">Send D[7:0]</div> </div> <div style="margin-left: 20px;"> <p>Host Driver</p> </div> </div> <div style="margin-top: 20px; border: 1px dashed black; padding: 10px;"> <p>Legend</p> <div style="display: flex; flex-direction: column; gap: 10px;"> <div style="border: 1px solid black; width: 100px; height: 15px; margin: 0 auto;"></div> <div style="border: 1px solid black; width: 100px; height: 15px; transform: rotate(-15deg); margin: 0 auto;"></div> <div style="border: 1px solid black; width: 100px; height: 15px; border-radius: 10px; margin: 0 auto;"></div> <div style="border: 1px solid black; width: 100px; height: 15px; border-radius: 10px; margin: 0 auto;"></div> <div style="border: 1px solid black; width: 100px; height: 15px; border-radius: 10px; margin: 0 auto;"></div> <div style="border: 1px solid black; width: 100px; height: 15px; border-radius: 10px; margin: 0 auto;"></div> </div> </div>									



6.2.39 Read Gy (79h)

79 H	RDGy (Read Gy)									
	R/W	D7	D6	D5	D4	D3	D2	D1	D0	HEX
Command	Read	0	1	1	1	1	0	0	1	79
Parameter	Read	Gy9	Gy8	Gy7	Gy6	Gy5	Gy4	Gy3	Gy2	-
Description	This command returns the Gy bits of Green color characteristic.									
Restriction	-									
Register Availability	Status					Availability				
	Normal Mode On, Idle Mode Off, Sleep Out					Yes				
	Normal Mode On, Idle Mode On, Sleep Out					Yes				
	Partial Mode On, Idle Mode Off, Sleep Out					Yes				
	Partial Mode On, Idle Mode On, Sleep Out					Yes				
	Sleep In or Booster Off					Yes				
Default	Status					Default Value				
						Before OTP		After OTP		
	Power On Sequence					00h		OTP Value		
	S/W Reset					00h		OTP Value		
	H/W Reset					00h		OTP Value		
Flow Chart	<p>Serial I/F Mode</p> <pre> graph TD RDGy[RDGy] --> Send[Send D[7:0]] Send -.-> Host[Host Driver] </pre> <p>Legend</p> <ul style="list-style-type: none"> Command: Rectangle Parameter: Parallelogram Display: Arrow pointing right Action: Arrow pointing left Mode: Oval Sequential transfer: Oval with tail 									



6.2.40 Read Blue/AColor Low Bits (7Ah)

7A H	RDBALB (Read Blue AColor Low Bits)									
	R/W	D7	D6	D5	D4	D3	D2	D1	D0	HEX
Command	Read	0	1	1	1	1	0	1	0	7A
Parameter	Read	Bx1	Bx0	By1	By0	Ax1	Ax0	Ay1	Ay0	-
Description	This command returns the lowest bits of Blue and AColor color characteristic. Blue: Bx and By A: Ax and Ay									
Restriction	-									
Register Availability	Status					Availability				
	Normal Mode On, Idle Mode Off, Sleep Out					Yes				
	Normal Mode On, Idle Mode On, Sleep Out					Yes				
	Partial Mode On, Idle Mode Off, Sleep Out					Yes				
	Partial Mode On, Idle Mode On, Sleep Out					Yes				
Default	Status					Default Value				
	Power On Sequence					Before OTP		After OTP		
	S/W Reset					00h		OTP Value		
	H/W Reset					00h		OTP Value		
	Sleep In or Booster Off					Yes				
Flow Chart	<p>Serial I/F Mode</p> <pre> graph TD RDBALB[Command] --> Send[Parameter: Send D[7:0]] Send -.-> Host[Host Driver] </pre> <p>Legend</p> <ul style="list-style-type: none"> Command: Rectangle Parameter: Parallelogram Display: Oval Action: Arrowhead Mode: Oval Sequential transfer: Oval with tail 									



6.2.41 Read Bx (7Bh)

7B H	RDBx (Read Bx)																							
	R/W	D7	D6	D5	D4	D3	D2	D1	D0	HEX														
Command	Read	0	1	1	1	1	0	1	1	7B														
Parameter	Read	Bx9	Bx8	Bx7	Bx6	Bx5	Bx4	Bx3	Bx2	-														
Description	This command returns the Bx bits of Blue color characteristic.																							
Restriction	-																							
Register Availability	<table border="1"> <thead> <tr> <th>Status</th> <th>Availability</th> </tr> </thead> <tbody> <tr> <td>Normal Mode On, Idle Mode Off, Sleep Out</td> <td>Yes</td> </tr> <tr> <td>Normal Mode On, Idle Mode On, Sleep Out</td> <td>Yes</td> </tr> <tr> <td>Partial Mode On, Idle Mode Off, Sleep Out</td> <td>Yes</td> </tr> <tr> <td>Partial Mode On, Idle Mode On, Sleep Out</td> <td>Yes</td> </tr> <tr> <td>Sleep In or Booster Off</td> <td>Yes</td> </tr> </tbody> </table>										Status	Availability	Normal Mode On, Idle Mode Off, Sleep Out	Yes	Normal Mode On, Idle Mode On, Sleep Out	Yes	Partial Mode On, Idle Mode Off, Sleep Out	Yes	Partial Mode On, Idle Mode On, Sleep Out	Yes	Sleep In or Booster Off	Yes		
Status	Availability																							
Normal Mode On, Idle Mode Off, Sleep Out	Yes																							
Normal Mode On, Idle Mode On, Sleep Out	Yes																							
Partial Mode On, Idle Mode Off, Sleep Out	Yes																							
Partial Mode On, Idle Mode On, Sleep Out	Yes																							
Sleep In or Booster Off	Yes																							
Default	<table border="1"> <thead> <tr> <th rowspan="2">Status</th> <th colspan="2">Default Value</th> </tr> <tr> <th>Before OTP</th> <th>After OTP</th> </tr> </thead> <tbody> <tr> <td>Power On Sequence</td> <td>00h</td> <td>OTP Value</td> </tr> <tr> <td>S/W Reset</td> <td>00h</td> <td>OTP Value</td> </tr> <tr> <td>H/W Reset</td> <td>00h</td> <td>OTP Value</td> </tr> </tbody> </table>										Status	Default Value		Before OTP	After OTP	Power On Sequence	00h	OTP Value	S/W Reset	00h	OTP Value	H/W Reset	00h	OTP Value
Status	Default Value																							
	Before OTP	After OTP																						
Power On Sequence	00h	OTP Value																						
S/W Reset	00h	OTP Value																						
H/W Reset	00h	OTP Value																						
Flow Chart	<pre> graph TD subgraph "Serial I/F Mode" RDBx[Command] --> Host[Host Driver] Host --> Send[/Send D[7:0]/] end </pre> <p>Legend:</p> <ul style="list-style-type: none"> Command: Rectangle Parameter: Parallelogram Display: Oval Action: Arrow Mode: Oval Sequential transfer: Oval with tail 																							



6.2.42 Read By (7Ch)

7C H	RDBy (Read By)																							
	R/W	D7	D6	D5	D4	D3	D2	D1	D0	HEX														
Command	Read	0	1	1	1	1	1	0	0	7C														
Parameter	Read	By9	By8	By7	By6	By5	By4	By3	By2	-														
Description	This command returns the By bits of Blue color characteristic.																							
Restriction	-																							
Register Availability	<table border="1"> <thead> <tr> <th>Status</th> <th>Availability</th> </tr> </thead> <tbody> <tr> <td>Normal Mode On, Idle Mode Off, Sleep Out</td> <td>Yes</td> </tr> <tr> <td>Normal Mode On, Idle Mode On, Sleep Out</td> <td>Yes</td> </tr> <tr> <td>Partial Mode On, Idle Mode Off, Sleep Out</td> <td>Yes</td> </tr> <tr> <td>Partial Mode On, Idle Mode On, Sleep Out</td> <td>Yes</td> </tr> <tr> <td>Sleep In or Booster Off</td> <td>Yes</td> </tr> </tbody> </table>										Status	Availability	Normal Mode On, Idle Mode Off, Sleep Out	Yes	Normal Mode On, Idle Mode On, Sleep Out	Yes	Partial Mode On, Idle Mode Off, Sleep Out	Yes	Partial Mode On, Idle Mode On, Sleep Out	Yes	Sleep In or Booster Off	Yes		
Status	Availability																							
Normal Mode On, Idle Mode Off, Sleep Out	Yes																							
Normal Mode On, Idle Mode On, Sleep Out	Yes																							
Partial Mode On, Idle Mode Off, Sleep Out	Yes																							
Partial Mode On, Idle Mode On, Sleep Out	Yes																							
Sleep In or Booster Off	Yes																							
Default	<table border="1"> <thead> <tr> <th rowspan="2">Status</th> <th colspan="2">Default Value</th> </tr> <tr> <th>Before OTP</th> <th>After OTP</th> </tr> </thead> <tbody> <tr> <td>Power On Sequence</td> <td>00h</td> <td>OTP Value</td> </tr> <tr> <td>S/W Reset</td> <td>00h</td> <td>OTP Value</td> </tr> <tr> <td>H/W Reset</td> <td>00h</td> <td>OTP Value</td> </tr> </tbody> </table>										Status	Default Value		Before OTP	After OTP	Power On Sequence	00h	OTP Value	S/W Reset	00h	OTP Value	H/W Reset	00h	OTP Value
Status	Default Value																							
	Before OTP	After OTP																						
Power On Sequence	00h	OTP Value																						
S/W Reset	00h	OTP Value																						
H/W Reset	00h	OTP Value																						
Flow Chart	<p>The flow chart illustrates the execution of the RDBy command. It starts with 'Serial I/F Mode' leading to a 'Command' box labeled 'RDBy'. An arrow points down to a 'Parameter' box labeled 'Send D[7:0]'. A dotted line labeled 'Host Driver' connects this parameter to the right side of the diagram. A legend on the right defines the symbols: a rectangle for 'Command', a parallelogram for 'Parameter', a rounded rectangle for 'Display', a chevron for 'Action', a circle for 'Mode', and a speech bubble for 'Sequential transfer'.</p>																							



6.2.43 Read Ax (7Dh)

7D H	RDAX (Read Ax)																							
	R/W	D7	D6	D5	D4	D3	D2	D1	D0	HEX														
Command	Read	0	1	1	1	1	1	0	1	7D														
Parameter	Read	Ax9	Ax8	Ax7	Ax6	Ax5	Ax4	Ax3	Ax2	-														
Description	This command returns the Ax bits of A color characteristic.																							
Restriction	-																							
Register Availability	<table border="1"> <thead> <tr> <th>Status</th> <th>Availability</th> </tr> </thead> <tbody> <tr> <td>Normal Mode On, Idle Mode Off, Sleep Out</td> <td>Yes</td> </tr> <tr> <td>Normal Mode On, Idle Mode On, Sleep Out</td> <td>Yes</td> </tr> <tr> <td>Partial Mode On, Idle Mode Off, Sleep Out</td> <td>Yes</td> </tr> <tr> <td>Partial Mode On, Idle Mode On, Sleep Out</td> <td>Yes</td> </tr> <tr> <td>Sleep In or Booster Off</td> <td>Yes</td> </tr> </tbody> </table>										Status	Availability	Normal Mode On, Idle Mode Off, Sleep Out	Yes	Normal Mode On, Idle Mode On, Sleep Out	Yes	Partial Mode On, Idle Mode Off, Sleep Out	Yes	Partial Mode On, Idle Mode On, Sleep Out	Yes	Sleep In or Booster Off	Yes		
Status	Availability																							
Normal Mode On, Idle Mode Off, Sleep Out	Yes																							
Normal Mode On, Idle Mode On, Sleep Out	Yes																							
Partial Mode On, Idle Mode Off, Sleep Out	Yes																							
Partial Mode On, Idle Mode On, Sleep Out	Yes																							
Sleep In or Booster Off	Yes																							
Default	<table border="1"> <thead> <tr> <th rowspan="2">Status</th> <th colspan="2">Default Value</th> </tr> <tr> <th>Before OTP</th> <th>After OTP</th> </tr> </thead> <tbody> <tr> <td>Power On Sequence</td> <td>00h</td> <td>OTP Value</td> </tr> <tr> <td>S/W Reset</td> <td>00h</td> <td>OTP Value</td> </tr> <tr> <td>H/W Reset</td> <td>00h</td> <td>OTP Value</td> </tr> </tbody> </table>										Status	Default Value		Before OTP	After OTP	Power On Sequence	00h	OTP Value	S/W Reset	00h	OTP Value	H/W Reset	00h	OTP Value
Status	Default Value																							
	Before OTP	After OTP																						
Power On Sequence	00h	OTP Value																						
S/W Reset	00h	OTP Value																						
H/W Reset	00h	OTP Value																						
Flow Chart	<div style="display: flex; align-items: center;"> <div style="text-align: center;"> <p>Serial I/F Mode</p> <div style="border: 1px solid black; padding: 5px; width: 80px; margin: 0 auto;">RDAX</div> <p>↓</p> <div style="border: 1px solid black; padding: 5px; width: 150px; margin: 0 auto;">Send D[7:0]</div> </div> <div style="margin-left: 20px;"> <p>Host Driver</p> </div> </div> <div style="margin-left: 20px; border: 1px dashed black; padding: 10px;"> <p>Legend</p> <div style="display: flex; flex-direction: column; gap: 5px;"> <div style="border: 1px solid black; width: 100px; height: 15px; margin-bottom: 5px;"></div> <div style="border: 1px solid black; width: 100px; height: 15px; transform: rotate(-15deg); margin-bottom: 5px;"></div> <div style="border: 1px solid black; width: 100px; height: 15px; border-radius: 10px; margin-bottom: 5px;"></div> <div style="border: 1px solid black; width: 100px; height: 15px; border-radius: 10px; margin-bottom: 5px;"></div> <div style="border: 1px solid black; width: 100px; height: 15px; border-radius: 10px; margin-bottom: 5px;"></div> <div style="border: 1px solid black; width: 100px; height: 15px; border-radius: 10px; margin-bottom: 5px;"></div> </div> </div>																							



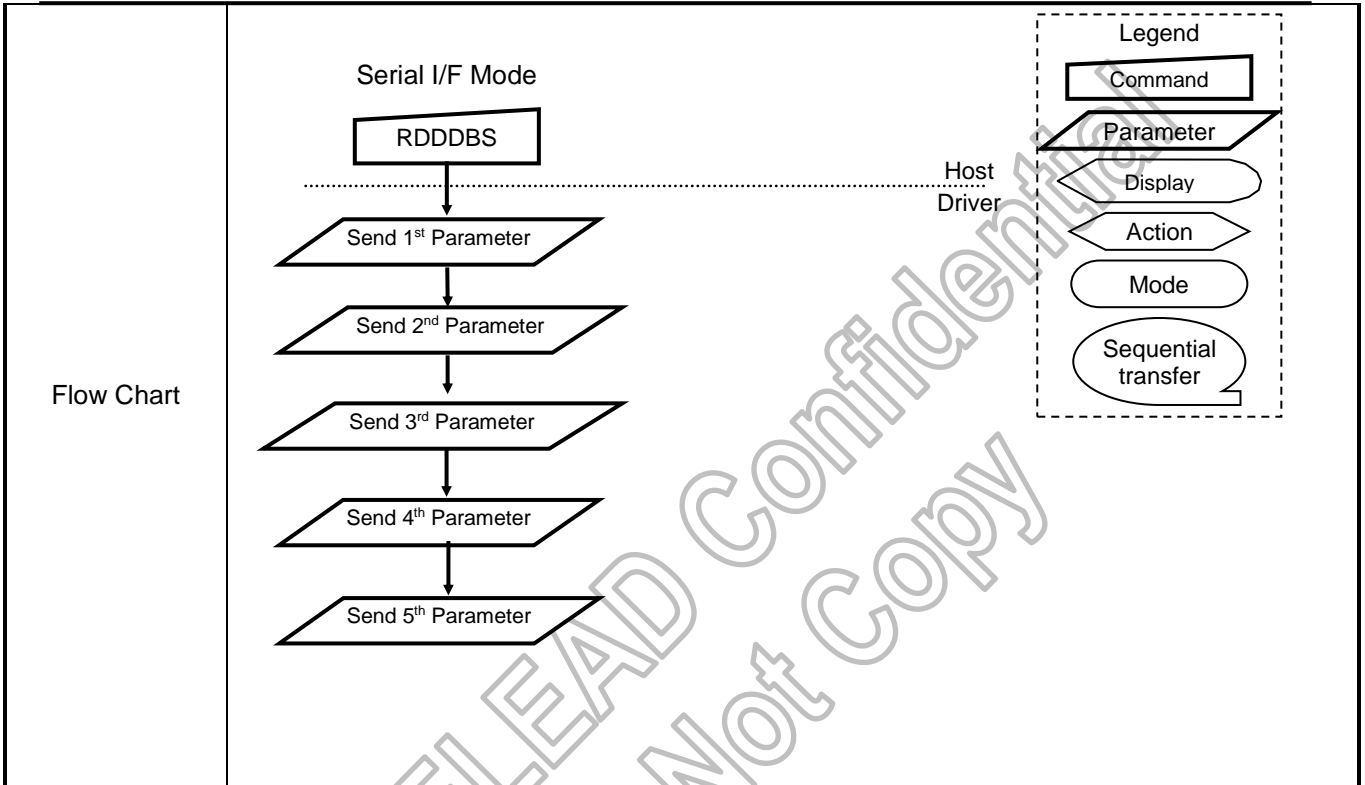
6.2.44 Read Ay (7Eh)

7E H	RD _{Ay} (Read A _y)																							
	R/W	D7	D6	D5	D4	D3	D2	D1	D0	HEX														
Command	Read	0	1	1	1	1	1	1	0	7E														
Parameter	Read	A _y 9	A _y 8	A _y 7	A _y 6	A _y 5	A _y 4	A _y 3	A _y 2	-														
Description	This command returns the A _y bits of A color characteristic.																							
Restriction	-																							
Register Availability	<table border="1"> <thead> <tr> <th>Status</th> <th>Availability</th> </tr> </thead> <tbody> <tr> <td>Normal Mode On, Idle Mode Off, Sleep Out</td> <td>Yes</td> </tr> <tr> <td>Normal Mode On, Idle Mode On, Sleep Out</td> <td>Yes</td> </tr> <tr> <td>Partial Mode On, Idle Mode Off, Sleep Out</td> <td>Yes</td> </tr> <tr> <td>Partial Mode On, Idle Mode On, Sleep Out</td> <td>Yes</td> </tr> <tr> <td>Sleep In or Booster Off</td> <td>Yes</td> </tr> </tbody> </table>										Status	Availability	Normal Mode On, Idle Mode Off, Sleep Out	Yes	Normal Mode On, Idle Mode On, Sleep Out	Yes	Partial Mode On, Idle Mode Off, Sleep Out	Yes	Partial Mode On, Idle Mode On, Sleep Out	Yes	Sleep In or Booster Off	Yes		
Status	Availability																							
Normal Mode On, Idle Mode Off, Sleep Out	Yes																							
Normal Mode On, Idle Mode On, Sleep Out	Yes																							
Partial Mode On, Idle Mode Off, Sleep Out	Yes																							
Partial Mode On, Idle Mode On, Sleep Out	Yes																							
Sleep In or Booster Off	Yes																							
Default	<table border="1"> <thead> <tr> <th rowspan="2">Status</th> <th colspan="2">Default Value</th> </tr> <tr> <th>Before OTP</th> <th>After OTP</th> </tr> </thead> <tbody> <tr> <td>Power On Sequence</td> <td>00h</td> <td>OTP Value</td> </tr> <tr> <td>S/W Reset</td> <td>00h</td> <td>OTP Value</td> </tr> <tr> <td>H/W Reset</td> <td>00h</td> <td>OTP Value</td> </tr> </tbody> </table>										Status	Default Value		Before OTP	After OTP	Power On Sequence	00h	OTP Value	S/W Reset	00h	OTP Value	H/W Reset	00h	OTP Value
Status	Default Value																							
	Before OTP	After OTP																						
Power On Sequence	00h	OTP Value																						
S/W Reset	00h	OTP Value																						
H/W Reset	00h	OTP Value																						
Flow Chart	<div style="display: flex; align-items: center;"> <div style="text-align: center;"> <p>Serial I/F Mode</p> <div style="border: 1px solid black; padding: 5px; width: 100px; margin: 0 auto;">RD_{Ay}</div> <p>↓</p> <div style="border: 1px solid black; padding: 5px; width: 150px; margin: 0 auto;">Send D[7:0]</div> </div> <div style="margin-left: 20px;"> <p>Host Driver</p> </div> </div> <div style="margin-left: 20px; border: 1px dashed black; padding: 10px;"> <p>Legend</p> <ul style="list-style-type: none"> <div style="border: 1px solid black; width: 100px; height: 15px; margin-bottom: 5px;"></div>Command <div style="border: 1px solid black; width: 100px; height: 15px; transform: rotate(-15deg); margin-bottom: 5px;"></div>Parameter <div style="border: 1px solid black; width: 100px; height: 15px; border-radius: 10px; margin-bottom: 5px;"></div>Display <div style="border: 1px solid black; width: 100px; height: 15px; border-radius: 10px; margin-bottom: 5px;"></div>Action <div style="border: 1px solid black; width: 100px; height: 15px; border-radius: 10px; margin-bottom: 5px;"></div>Mode <div style="border: 1px solid black; width: 100px; height: 15px; border-radius: 10px; margin-bottom: 5px;"></div>Sequential transfer </div>																							



6.2.45 Read DDB Start (A1h)

A1 H	RDDDBS (Read DDB Start)																							
	R/W	D7	D6	D5	D4	D3	D2	D1	D0	HEX														
Command	Read	1	0	1	0	0	0	0	1	A1														
1 st Parameter	Read	x	x	x	x	x	x	x	x	-														
2 nd Parameter		x	x	x	x	x	x	x	x															
3 rd Parameter		x	x	x	x	x	x	x	x															
4 th parameter		x	x	x	x	x	x	x	x															
5 th parameter		1	1	1	1	1	1	1	1															
Description	<p>This command returns the supplier identification and display module mode/revision information. Note: This information is not the same what "Read ID1 (DAh)", "Read ID2 (DBh)" and "Read ID3 (DCh)" commands are returning. Note: Parameter 0xFF is an "Exit Code", this means that there is no more data in the DDB block. This read sequence can be interrupted by any command and it can be continued by "Read DDB Continue (A8h)" command when the first parameter, what has been transferred, is the parameter, which has not been sent e.g. RDDDBS => 1st parameter has been sent => 2nd parameter has been sent=> interrupt => RDDDBC => 3rd parameter of the RDDDBS has been sent.</p>																							
Restriction	-																							
Register Availability	<table border="1"> <thead> <tr> <th>Status</th> <th>Availability</th> </tr> </thead> <tbody> <tr> <td>Normal Mode On, Idle Mode Off, Sleep Out</td> <td>Yes</td> </tr> <tr> <td>Normal Mode On, Idle Mode On, Sleep Out</td> <td>Yes</td> </tr> <tr> <td>Partial Mode On, Idle Mode Off, Sleep Out</td> <td>Yes</td> </tr> <tr> <td>Partial Mode On, Idle Mode On, Sleep Out</td> <td>Yes</td> </tr> <tr> <td>Sleep In or Booster Off</td> <td>Yes</td> </tr> </tbody> </table>										Status	Availability	Normal Mode On, Idle Mode Off, Sleep Out	Yes	Normal Mode On, Idle Mode On, Sleep Out	Yes	Partial Mode On, Idle Mode Off, Sleep Out	Yes	Partial Mode On, Idle Mode On, Sleep Out	Yes	Sleep In or Booster Off	Yes		
Status	Availability																							
Normal Mode On, Idle Mode Off, Sleep Out	Yes																							
Normal Mode On, Idle Mode On, Sleep Out	Yes																							
Partial Mode On, Idle Mode Off, Sleep Out	Yes																							
Partial Mode On, Idle Mode On, Sleep Out	Yes																							
Sleep In or Booster Off	Yes																							
Default	<table border="1"> <thead> <tr> <th rowspan="2">Status</th> <th colspan="2">Default Value</th> </tr> <tr> <th>Before OTP</th> <th>After OTP</th> </tr> </thead> <tbody> <tr> <td>Power On Sequence</td> <td>00h</td> <td>OTP Value</td> </tr> <tr> <td>S/W Reset</td> <td>00h</td> <td>OTP Value</td> </tr> <tr> <td>H/W Reset</td> <td>00h</td> <td>OTP Value</td> </tr> </tbody> </table>										Status	Default Value		Before OTP	After OTP	Power On Sequence	00h	OTP Value	S/W Reset	00h	OTP Value	H/W Reset	00h	OTP Value
Status	Default Value																							
	Before OTP	After OTP																						
Power On Sequence	00h	OTP Value																						
S/W Reset	00h	OTP Value																						
H/W Reset	00h	OTP Value																						



FORCELEAD Confidential
Do Not Copy



6.2.46 Read DDB Continue (A8h)

A8 H	RDDDBC (Read DDB Continue)																							
	R/W	D7	D6	D5	D4	D3	D2	D1	D0	HEX														
Command	Read	1	0	1	0	1	0	0	0	A8														
1 st Parameter	Read	x	x	x	x	x	x	x	x	-														
2 nd Parameter		x	x	x	x	x	x	x	x															
3 rd Parameter		x	x	x	x	x	x	x	x															
4 th parameter		x	x	x	x	x	x	x	x															
5 th parameter		1	1	1	1	1	1	1	1															
Description	This command returns the supplier identification and display module mode/revision information from the point where RDDDBS command was interrupted by an other command. Note: Parameter 0xFF is an "Exit Code", this means that there is no more data in the DDB block.																							
Restriction	-																							
Register Availability	<table border="1"> <thead> <tr> <th>Status</th> <th>Availability</th> </tr> </thead> <tbody> <tr> <td>Normal Mode On, Idle Mode Off, Sleep Out</td> <td>Yes</td> </tr> <tr> <td>Normal Mode On, Idle Mode On, Sleep Out</td> <td>Yes</td> </tr> <tr> <td>Partial Mode On, Idle Mode Off, Sleep Out</td> <td>Yes</td> </tr> <tr> <td>Partial Mode On, Idle Mode On, Sleep Out</td> <td>Yes</td> </tr> <tr> <td>Sleep In or Booster Off</td> <td>Yes</td> </tr> </tbody> </table>										Status	Availability	Normal Mode On, Idle Mode Off, Sleep Out	Yes	Normal Mode On, Idle Mode On, Sleep Out	Yes	Partial Mode On, Idle Mode Off, Sleep Out	Yes	Partial Mode On, Idle Mode On, Sleep Out	Yes	Sleep In or Booster Off	Yes		
Status	Availability																							
Normal Mode On, Idle Mode Off, Sleep Out	Yes																							
Normal Mode On, Idle Mode On, Sleep Out	Yes																							
Partial Mode On, Idle Mode Off, Sleep Out	Yes																							
Partial Mode On, Idle Mode On, Sleep Out	Yes																							
Sleep In or Booster Off	Yes																							
Default	<table border="1"> <thead> <tr> <th rowspan="2">Status</th> <th colspan="2">Default Value</th> </tr> <tr> <th>Before OTP</th> <th>After OTP</th> </tr> </thead> <tbody> <tr> <td>Power On Sequence</td> <td>00h</td> <td>OTP Value</td> </tr> <tr> <td>S/W Reset</td> <td>00h</td> <td>OTP Value</td> </tr> <tr> <td>H/W Reset</td> <td>00h</td> <td>OTP Value</td> </tr> </tbody> </table>										Status	Default Value		Before OTP	After OTP	Power On Sequence	00h	OTP Value	S/W Reset	00h	OTP Value	H/W Reset	00h	OTP Value
Status	Default Value																							
	Before OTP	After OTP																						
Power On Sequence	00h	OTP Value																						
S/W Reset	00h	OTP Value																						
H/W Reset	00h	OTP Value																						
Flow Chart	<p>The flow chart illustrates the RDDDBC command sequence. It starts with the 'Serial I/F Mode' box containing the 'RDDDBC' command. An arrow points from this command to a 'Host Driver' box. From the Host Driver, an arrow points to a 'Sequential transfer' oval containing 'RDDDBS Data D1[7:0], D2[7:0]...Dn[7:0]'. A legend on the right defines the symbols: a rectangle for 'Command', a parallelogram for 'Parameter', a rounded rectangle for 'Display', a chevron for 'Action', a rounded rectangle for 'Mode', and a rounded rectangle with a tail for 'Sequential transfer'.</p>																							



6.2.47 Read ID1 Value (DAh)

DA H	RDID1 (Read ID1 Value)									
	R/W	D7	D6	D5	D4	D3	D2	D1	D0	HEX
Command	Read	1	1	0	1	1	0	1	0	DA
Parameter	Read	ID17	ID16	ID15	ID14	ID13	ID12	ID11	ID10	-
Description	This read byte identifies the LCD module's manufacturer.									
Restriction	-									
Register Availability	Status						Availability			
	Normal Mode On, Idle Mode Off, Sleep Out						Yes			
	Normal Mode On, Idle Mode On, Sleep Out						Yes			
	Partial Mode On, Idle Mode Off, Sleep Out						Yes			
	Partial Mode On, Idle Mode On, Sleep Out						Yes			
Sleep In or Booster Off						Yes				
Default	Status						Default Value			
							Before OTP		After OTP	
	Power On Sequence						38h		OTP Value	
	S/W Reset						38h		OTP Value	
H/W Reset						38h		OTP Value		
Flow Chart	<p>Serial I/F Mode</p> <pre> graph TD RDID1[RDID1] --> SendID1[/Send ID1[7:0]/] </pre> <p>Host Driver</p> <div style="border: 1px dashed black; padding: 5px; margin-top: 10px;"> <p>Legend</p> <ul style="list-style-type: none"> Command Parameter Display Action Mode Sequential transfer </div>									



6.2.48 Read ID2 Value (DBh)

DB H	RDID2 (Read ID2 Value)									
	R/W	D7	D6	D5	D4	D3	D2	D1	D0	HEX
Command	Read	1	1	0	1	1	0	1	1	DB
Parameter	Read	ID27	ID26	ID25	ID24	ID23	ID22	ID21	ID20	-
Description	This read byte identifies the LCD module version.									
Restriction	-									
Register Availability	Status						Availability			
	Normal Mode On, Idle Mode Off, Sleep Out						Yes			
	Normal Mode On, Idle Mode On, Sleep Out						Yes			
	Partial Mode On, Idle Mode Off, Sleep Out						Yes			
	Partial Mode On, Idle Mode On, Sleep Out						Yes			
Sleep In or Booster Off						Yes				
Default	Status						Default Value			
							Before OTP		After OTP	
	Power On Sequence						21h		OTP Value	
	S/W Reset						21h		OTP Value	
H/W Reset						21h		OTP Value		
Flow Chart	<p>Serial I/F Mode</p> <pre> graph TD RDID1[RDID1] --> SendID2[/Send ID2[7:0]/] SendID2 --- HostDriver[Host Driver] </pre> <p>Legend</p> <ul style="list-style-type: none"> Command: Rectangle Parameter: Parallelogram Display: Oval Action: Arrow Mode: Capsule Sequential transfer: Oval with tail 									



6.2.49 Read ID3 Value (DCh)

DC H	RDID3 (Read ID3 Value)									
	R/W	D7	D6	D5	D4	D3	D2	D1	D0	HEX
Command	Read	1	1	0	1	1	1	0	0	DC
Parameter	Read	ID37	ID36	ID35	ID34	ID33	ID32	ID31	ID30	-
Description	This read byte identifies the LCD module/driver.									
Restriction	-									
Register Availability	Status					Availability				
	Normal Mode On, Idle Mode Off, Sleep Out					Yes				
	Normal Mode On, Idle Mode On, Sleep Out					Yes				
	Partial Mode On, Idle Mode Off, Sleep Out					Yes				
	Partial Mode On, Idle Mode On, Sleep Out					Yes				
	Sleep In or Booster Off					Yes				
Default	Status					Default Value				
						Before OTP		After OTP		
	Power On Sequence					1Fh		OTP Value		
	S/W Reset					1Fh		OTP Value		
	H/W Reset					1Fh		OTP Value		
Flow Chart	<div style="display: flex; justify-content: space-between; align-items: flex-start;"> <div style="text-align: center;"> <p>Serial I/F Mode</p> <div style="border: 1px solid black; padding: 2px; margin-bottom: 5px;">RDID1</div> <p>↓</p> <div style="border: 1px solid black; padding: 2px; width: 150px;">Send ID3[7:0]</div> </div> <div style="text-align: center; margin-top: 20px;">Host Driver</div> </div>									
	<div style="border: 1px dashed black; padding: 10px;"> <p style="text-align: center;">Legend</p> <div style="display: flex; flex-direction: column; gap: 5px;"> <div style="border: 1px solid black; width: 60px; height: 15px; margin: 2px;"></div> <div style="border: 1px solid black; width: 60px; height: 15px; transform: rotate(-45deg); margin: 2px;"></div> <div style="border: 1px solid black; width: 60px; height: 15px; border-radius: 10px; margin: 2px;"></div> <div style="border: 1px solid black; width: 60px; height: 15px; border-radius: 10px; margin: 2px;"></div> <div style="border: 1px solid black; width: 60px; height: 15px; border-radius: 10px; margin: 2px;"></div> <div style="border: 1px solid black; width: 60px; height: 15px; border-radius: 10px; margin: 2px;"></div> </div> </div>									



6.2.50 SETEXTC (B9h)

B9 H	SETEXC									
	R/W	D7	D6	D5	D4	D3	D2	D1	D0	HEX
Command	W	1	0	1	1	1	0	0	1	B9
Parameter 1st	W	EXTC1[7]	EXTC1[6]	EXTC1[5]	EXTC1[4]	EXTC1[3]	EXTC1[2]	EXTC1[1]	EXTC1[0]	00
Parameter 2nd	W	EXTC2[7]	EXTC2[6]	EXTC2[5]	EXTC2[4]	EXTC2[3]	EXTC2[2]	EXTC2[1]	EXTC2[0]	00
Parameter 3rd	W	EXTC3[7]	EXTC3[6]	EXTC3[5]	EXTC3[4]	EXTC3[3]	EXTC3[2]	EXTC3[1]	EXTC3[0]	00
Description	<p>This command is used to enable USER Command.</p> <p>Enable User command: Set B9H=F1h, 12h, 87h Disable User command: Set B9H=00h, 00h, 00h</p>									

FORCELEAD Confidential
Do Not Copy



6.2.51 SETAPPLEID (B1h)

B1 H	SETAPPLEID									
	R/W	D7	D6	D5	D4	D3	D2	D1	D0	HEX
Command	W	1	0	1	1	0	0	0	1	B1
Parameter 1st	R/W	APPLE_ID1[7]	APPLE_ID1[6]	APPLE_ID1[5]	APPLE_ID1[4]	APPLE_ID1[3]	APPLE_ID1[2]	APPLE_ID1[1]	APPLE_ID1[0]	00
Parameter 2nd	R/W	APPLE_ID2[7]	APPLE_ID2[6]	APPLE_ID2[5]	APPLE_ID2[4]	APPLE_ID2[3]	APPLE_ID2[2]	APPLE_ID2[1]	APPLE_ID2[0]	00
Parameter 3rd	R/W	APPLE_ID3[7]	APPLE_ID3[6]	APPLE_ID3[5]	APPLE_ID3[4]	APPLE_ID3[3]	APPLE_ID3[2]	APPLE_ID3[1]	APPLE_ID3[0]	00
Parameter 4th	R/W	APPLE_ID4[7]	APPLE_ID4[6]	APPLE_ID4[5]	APPLE_ID4[4]	APPLE_ID4[3]	APPLE_ID4[2]	APPLE_ID4[1]	APPLE_ID4[0]	00
Parameter 5th	R/W	APPLE_ID5[7]	APPLE_ID5[6]	APPLE_ID5[5]	APPLE_ID5[4]	APPLE_ID5[3]	APPLE_ID5[2]	APPLE_ID5[1]	APPLE_ID5[0]	00
Parameter 6th	R/W	APPLE_ID6[7]	APPLE_ID6[6]	APPLE_ID6[5]	APPLE_ID6[4]	APPLE_ID6[3]	APPLE_ID6[2]	APPLE_ID6[1]	APPLE_ID6[0]	00
Parameter 7th	R/W	APPLE_ID7[7]	APPLE_ID7[6]	APPLE_ID7[5]	APPLE_ID7[4]	APPLE_ID7[3]	APPLE_ID7[2]	APPLE_ID7[1]	APPLE_ID7[0]	00
Parameter 8th	R/W	APPLE_ID8[7]	APPLE_ID8[6]	APPLE_ID8[5]	APPLE_ID8[4]	APPLE_ID8[3]	APPLE_ID8[2]	APPLE_ID8[1]	APPLE_ID8[0]	00
Parameter 9th	R/W	APPLE_ID9[7]	APPLE_ID9[6]	APPLE_ID9[5]	APPLE_ID9[4]	APPLE_ID9[3]	APPLE_ID9[2]	APPLE_ID9[1]	APPLE_ID9[0]	00
Parameter 10th	R/W	APPLE_ID10[7]	APPLE_ID10[6]	APPLE_ID10[5]	APPLE_ID10[4]	APPLE_ID10[3]	APPLE_ID10[2]	APPLE_ID10[1]	APPLE_ID10[0]	00
Parameter 11th	R/W	APPLE_ID11[7]	APPLE_ID11[6]	APPLE_ID11[5]	APPLE_ID11[4]	APPLE_ID11[3]	APPLE_ID11[2]	APPLE_ID11[1]	APPLE_ID11[0]	00
Parameter 12th	R/W	APPLE_ID12[7]	APPLE_ID12[6]	APPLE_ID12[5]	APPLE_ID12[4]	APPLE_ID12[3]	APPLE_ID12[2]	APPLE_ID12[1]	APPLE_ID12[0]	00
Parameter 13th	R/W	APPLE_ID13[7]	APPLE_ID13[6]	APPLE_ID13[5]	APPLE_ID13[4]	APPLE_ID13[3]	APPLE_ID13[2]	APPLE_ID13[1]	APPLE_ID13[0]	00
Parameter 14th	R/W	APPLE_ID14[7]	APPLE_ID14[6]	APPLE_ID14[5]	APPLE_ID14[4]	APPLE_ID14[3]	APPLE_ID14[2]	APPLE_ID14[1]	APPLE_ID14[0]	00
Parameter 15th	R/W	APPLE_ID15[7]	APPLE_ID15[6]	APPLE_ID15[5]	APPLE_ID15[4]	APPLE_ID15[3]	APPLE_ID15[2]	APPLE_ID15[1]	APPLE_ID15[0]	00
Description	This command is used to set iPhone ID.									



6.2.52 SETDISP (B2h)

B2 H	SETDISP																																									
	R/W	D7	D6	D5	D4	D3	D2	D1	D0	HEX																																
Command	W	1	0	1	1	0	0	1	0	B2																																
Parameter 1st	R/W	NL[7]	NL[6]	NL[5]	NL[4]	NL[3]	NL[2]	NL[1]	NL[0]	C8																																
Parameter 2nd	R/W	RES_V_LSB[1]	RES_V_LSB[0]	BLK_CON[1]	BLK_CON[0]	RESO_SEL[3]	RESO_SEL[2]	RESO_SEL[1]	RESO_SEL[0]	02																																
Parameter 3rd	R/W	WHITE_GND_EN	WHITE_FRAME_SEL[2]	WHITE_FRAME_SEL[1]	WHITE_FRAME_SEL[0]	RES_V_MSB	ISC[2]	ISC[1]	ISC[0]	A0																																
Description	<p>This command is used to control the display resolution.</p> <ul style="list-style-type: none"> • RES_V_MSB/NL[7:0] / RES_V_LSB[1:0]: Specify the gate number of vertical direction. <ul style="list-style-type: none"> - Gate Number = NL[8:0]*4 + RES_V_LSB RES_V_MSB=NL[8] • BLK_CON[1:0]: Non-display area source output control. <table border="1" style="margin-left: 20px;"> <thead> <tr> <th>BLK_CON</th> <th>Source output</th> </tr> </thead> <tbody> <tr> <td>0</td> <td>0</td> <td>Keep last data</td> </tr> <tr> <td>0</td> <td>1</td> <td>VSSD</td> </tr> <tr> <td>1</td> <td>0</td> <td>Hi-Z</td> </tr> <tr> <td>1</td> <td>1</td> <td>Setting inhibited</td> </tr> </tbody> </table> • RESO_SEL[2:0]: Specify the channel number of source direction. <table border="1" style="margin-left: 20px;"> <thead> <tr> <th>RESO_SEL[2:0] (Hex)</th> <th>Channel number</th> </tr> </thead> <tbody> <tr> <td>3</td> <td>720RGB</td> </tr> <tr> <td>4</td> <td>640RGB</td> </tr> <tr> <td>5</td> <td>600RGB</td> </tr> <tr> <td>6</td> <td>540RGB</td> </tr> <tr> <td>7</td> <td>440RGB</td> </tr> <tr> <td>8</td> <td>400RGB</td> </tr> <tr> <td>9</td> <td>480RGB</td> </tr> <tr> <td>others</td> <td>720RGB</td> </tr> </tbody> </table> • WHITE_GND_EN: Determine source voltage during Blanking Time when accessing Sleep-Out / Sleep-In command. <ul style="list-style-type: none"> - 1: Source Voltage = GND - 0: Source Voltage = Lowest Voltage 										BLK_CON	Source output	0	0	Keep last data	0	1	VSSD	1	0	Hi-Z	1	1	Setting inhibited	RESO_SEL[2:0] (Hex)	Channel number	3	720RGB	4	640RGB	5	600RGB	6	540RGB	7	440RGB	8	400RGB	9	480RGB	others	720RGB
	BLK_CON	Source output																																								
0	0	Keep last data																																								
0	1	VSSD																																								
1	0	Hi-Z																																								
1	1	Setting inhibited																																								
RESO_SEL[2:0] (Hex)	Channel number																																									
3	720RGB																																									
4	640RGB																																									
5	600RGB																																									
6	540RGB																																									
7	440RGB																																									
8	400RGB																																									
9	480RGB																																									
others	720RGB																																									



• **WHITE_FRAME_SEL[2:0]**: Blank timing control when access sleep out command.

WHITE_FRAME			Blank Frame Period
0	0	0	0 frame
0	0	1	1 frame
0	1	0	2 frames
0	1	1	3 frames
1	0	0	4 frames
1	0	1	5 frames
1	1	0	6 frames
1	1	1	7 frames

• **ISC[2:0]**: Source output refresh control.

ISC			Refresh Period
0	0	0	0 frame
0	0	1	1 frame
0	1	0	2 frames
:	:	:	:
1	1	1	7 frames

FORCELEAD Confidential
Do Not Copy

6.2.53 SETRGBIF (B3h)

B3 H	SETRGBIF																																					
	R/W	D7	D6	D5	D4	D3	D2	D1	D0	HEX																												
Command	W	1	0	1	1	0	0	1	1	B3																												
Parameter 1st	R/W	VBP_RG B_GEN[7]	VBP_RG B_GEN[6]	VBP_RG B_GEN[5]	VBP_RG B_GEN[4]	VBP_RG B_GEN[3]	VBP_RG B_GEN[2]	VBP_RG B_GEN[1]	VBP_RG B_GEN[0]	28																												
Parameter 2nd	R/W	VFP_RG B_GEN[7]	VFP_RG B_GEN[6]	VFP_RG B_GEN[5]	VFP_RG B_GEN[4]	VFP_RG B_GEN[3]	VFP_RG B_GEN[2]	VFP_RG B_GEN[1]	VFP_RG B_GEN[0]	28																												
Parameter 3rd	R/W	DE_BP_ RGB_GE N[7]	DE_BP_ RGB_GE N[6]	DE_BP_ RGB_GE N[5]	DE_BP_ RGB_GE N[4]	DE_BP_ RGB_GE N[3]	DE_BP_ RGB_GE N[2]	DE_BP_ RGB_GE N[1]	DE_BP_ RGB_GE N[0]	28																												
Parameter 4th	R/W	DE_FP_ RGB_GE N[7]	DE_FP_ RGB_GE N[6]	DE_FP_ RGB_GE N[5]	DE_FP_ RGB_GE N[4]	DE_FP_ RGB_GE N[3]	DE_FP_ RGB_GE N[2]	DE_FP_ RGB_GE N[1]	DE_FP_ RGB_GE N[0]	28																												
Description	This command is used to control RGB I/F porch timing for internal use. <ul style="list-style-type: none"> • VBP_RGB_GEN[7:0]: Vertical back porch HS number selection in Blank Frame Period. • VFP_RGB_GEN[7:0]: Vertical front porch HS number selection in Blank Frame Period. <table border="1" data-bbox="347 810 919 1075"> <thead> <tr> <th>VBP_RGB_GEN[7:0] VFP_RGB_GEN[7:0] (Hex)</th> <th>Hsync number</th> </tr> </thead> <tbody> <tr> <td>0</td> <td>Setting inhibited</td> </tr> <tr> <td>1</td> <td>Setting inhibited</td> </tr> <tr> <td>2</td> <td>2</td> </tr> <tr> <td>:</td> <td>:</td> </tr> <tr> <td>FE</td> <td>254</td> </tr> <tr> <td>FF</td> <td>Setting inhibited</td> </tr> </tbody> </table> <ul style="list-style-type: none"> • DE_BP_RGB_GEN[7:0]: HBP OSC number selection in Blank Frame Period. • DE_FP_RGB_GEN[7:0]: HFP OSC number selection in Blank Frame Period. <table border="1" data-bbox="347 1173 1002 1438"> <thead> <tr> <th>DE_BP_RGB_GEN[7:0] DE_FP_RGB_GEN[7:0] (Hex)</th> <th>OSC number</th> </tr> </thead> <tbody> <tr> <td>0</td> <td>Setting inhibited</td> </tr> <tr> <td>1</td> <td>Setting inhibited</td> </tr> <tr> <td>2</td> <td>2</td> </tr> <tr> <td>:</td> <td>:</td> </tr> <tr> <td>FE</td> <td>254</td> </tr> <tr> <td>FF</td> <td>Setting inhibited</td> </tr> </tbody> </table>										VBP_RGB_GEN[7:0] VFP_RGB_GEN[7:0] (Hex)	Hsync number	0	Setting inhibited	1	Setting inhibited	2	2	:	:	FE	254	FF	Setting inhibited	DE_BP_RGB_GEN[7:0] DE_FP_RGB_GEN[7:0] (Hex)	OSC number	0	Setting inhibited	1	Setting inhibited	2	2	:	:	FE	254	FF	Setting inhibited
	VBP_RGB_GEN[7:0] VFP_RGB_GEN[7:0] (Hex)	Hsync number																																				
	0	Setting inhibited																																				
	1	Setting inhibited																																				
	2	2																																				
	:	:																																				
	FE	254																																				
	FF	Setting inhibited																																				
	DE_BP_RGB_GEN[7:0] DE_FP_RGB_GEN[7:0] (Hex)	OSC number																																				
	0	Setting inhibited																																				
1	Setting inhibited																																					
2	2																																					
:	:																																					
FE	254																																					
FF	Setting inhibited																																					



6.2.54 SETCYC (B4h)

B4 H	SETCYC																																																																																
Command	R/W	D7	D6	D5	D4	D3	D2	D1	D0	HEX																																																																							
Command	W	1	0	1	1	0	1	0	0	B4																																																																							
Parameter 1st	R/W	ZINV_S2401_EN	ZINV_G_EVEN_EN	ZINV_EN	ZINV2_EN	x	N_NW[2]	N_NW[1]	N_NW[0]	80																																																																							
Parameter 2nd	R/W	x	x	OPON_DLY[1]	OPON_DLY[0]	x	I_NW[2]	I_NW[1]	I_NW[0]	00																																																																							
Description	<p>This command is used to control display inversion type.</p> <ul style="list-style-type: none"> • ZINV_S2401_EN: Specify extra source for Zig-Zag Inversion. <ul style="list-style-type: none"> - 1: S2401 for use - 0: S0 for use • ZINV_G_EVEN_EN: Specify in which row source data dislocates. <ul style="list-style-type: none"> - 1: Odd row - 0: Even row • ZINV_EN: Enable Zig-Zag inversion. <ul style="list-style-type: none"> - 1: Enable Zig-Zag Inversion - 0: Disable Zig-Zag Inversion. • ZINV2_EN: Specify Zig-Zag inversion selection. <ul style="list-style-type: none"> - 1: Enable Zig-Zag2 Inversion - 0: Enable Zig-Zag1 Inversion. <p>© For Zig-Zag2 Inversion Type Definition, please refer to the following table.</p> <table border="1"> <thead> <tr> <th>ZINV2_EN</th> <th>ZINV_S2401_EN</th> <th>ZINV_G_EVEN_EN</th> <th>Zig-Zag Inversion Type</th> </tr> </thead> <tbody> <tr><td>0</td><td>0</td><td>1</td><td>Type A</td></tr> <tr><td>0</td><td>0</td><td>0</td><td>Type B</td></tr> <tr><td>0</td><td>1</td><td>0</td><td>Type C</td></tr> <tr><td>0</td><td>1</td><td>1</td><td>Type D</td></tr> <tr><td>1</td><td>0</td><td>1</td><td>Type E</td></tr> <tr><td>1</td><td>0</td><td>0</td><td>Type F</td></tr> <tr><td>1</td><td>1</td><td>0</td><td>Type G</td></tr> <tr><td>1</td><td>1</td><td>1</td><td>Type H</td></tr> </tbody> </table> <ul style="list-style-type: none"> • N_NW[2:0]: Normal mode inversion type selection. • I_NW[2:0]: IDLE mode inversion type selection. <table border="1"> <thead> <tr> <th>N_NW[2:0]</th> <th>I_NW[2:0]</th> <th>Inversion Type</th> </tr> </thead> <tbody> <tr><td>0</td><td>0</td><td>0</td><td>Column inversion</td></tr> <tr><td>0</td><td>0</td><td>1</td><td>1-dot inversion</td></tr> <tr><td>0</td><td>1</td><td>0</td><td>1+2-dot inversion</td></tr> <tr><td>0</td><td>1</td><td>1</td><td>3-dot inversion</td></tr> <tr><td>1</td><td>0</td><td>0</td><td>4-dot inversion</td></tr> <tr><td>1</td><td>0</td><td>1</td><td>8-dot inversion</td></tr> <tr><td>1</td><td>1</td><td>0</td><td>2-dot inversion</td></tr> <tr><td>1</td><td>1</td><td>1</td><td>Setting invalid</td></tr> </tbody> </table>										ZINV2_EN	ZINV_S2401_EN	ZINV_G_EVEN_EN	Zig-Zag Inversion Type	0	0	1	Type A	0	0	0	Type B	0	1	0	Type C	0	1	1	Type D	1	0	1	Type E	1	0	0	Type F	1	1	0	Type G	1	1	1	Type H	N_NW[2:0]	I_NW[2:0]	Inversion Type	0	0	0	Column inversion	0	0	1	1-dot inversion	0	1	0	1+2-dot inversion	0	1	1	3-dot inversion	1	0	0	4-dot inversion	1	0	1	8-dot inversion	1	1	0	2-dot inversion	1	1	1	Setting invalid
	ZINV2_EN	ZINV_S2401_EN	ZINV_G_EVEN_EN	Zig-Zag Inversion Type																																																																													
	0	0	1	Type A																																																																													
	0	0	0	Type B																																																																													
	0	1	0	Type C																																																																													
	0	1	1	Type D																																																																													
	1	0	1	Type E																																																																													
	1	0	0	Type F																																																																													
	1	1	0	Type G																																																																													
	1	1	1	Type H																																																																													
N_NW[2:0]	I_NW[2:0]	Inversion Type																																																																															
0	0	0	Column inversion																																																																														
0	0	1	1-dot inversion																																																																														
0	1	0	1+2-dot inversion																																																																														
0	1	1	3-dot inversion																																																																														
1	0	0	4-dot inversion																																																																														
1	0	1	8-dot inversion																																																																														
1	1	0	2-dot inversion																																																																														
1	1	1	Setting invalid																																																																														



6.2.55 SETBGP (B5h)

B5 H	SETBGP										
	R/W	D7	D6	D5	D4	D3	D2	D1	D0	HEX	
Command	W	1	0	1	1	0	1	0	1	B5	
Parameter 1st	R/W	x	x	x	VREF_SEL[4]	VREF_SEL[3]	VREF_SEL[2]	VREF_SEL[1]	VREF_SEL[0]	09	
Parameter 2nd	R/W	x	x	x	NVREF_SEL[4]	NVREF_SEL[3]	NVREF_SEL[2]	NVREF_SEL[1]	NVREF_SEL[0]	09	
Description	This command is used for internal reference voltage setting.										
	• VREF_SEL[4:0] / NVREF_SEL[4:0] : Specify the VREF/NVREF voltage.										
	VREF_SEL[4:0] NVREF_SEL[4:0] (Hex)		VREF NVREF (V)		VREF_SEL[4:0] NVREF_SEL[4:0] (Hex)		VREF NVREF (V)				
	0		3.5		10		5.1				
	1		3.6		11		5.2				
	2		3.7		12		5.3				
	3		3.8		13		5.4				
	4		3.9		14		5.45				
	5		4.0		15		5.5				
	6		4.1		16		5.55				
	7		4.2		17		5.6				
	8		4.3		18		5.65				
	9		4.4		19		5.7				
	A		4.5		1A		5.75				
	B		4.6		1B		5.8				
C		4.7		1C		5.85					
D		4.8		1D		5.9					
E		4.9		1E		5.95					
F		5.0		1F		6.0					

6.2.56 SETVCOM (B6h)

B6 H	SETVCOM																																																																																																																																																																																																																				
	R/W	D7	D6	D5	D4	D3	D2	D1	D0	HEX																																																																																																																																																																																																											
Command	W	1	0	1	1	0	1	1	0	B6																																																																																																																																																																																																											
Parameter 1st	R/W	VCOMD C_F[7]	VCOMD C_F[6]	VCOMD C_F[5]	VCOMD C_F[4]	VCOMD C_F[3]	VCOMD C_F[2]	VCOMD C_F[1]	VCOMD C_F[0]	4D																																																																																																																																																																																																											
Parameter 2nd	R/W	VCOMD C_B[7]	VCOMD C_B[6]	VCOMD C_B[5]	VCOMD C_B[4]	VCOMD C_B[3]	VCOMD C_B[2]	VCOMD C_B[1]	VCOMD C_B[0]	4D																																																																																																																																																																																																											
Parameter 3rd	R						VCOM_O TP_TIME [2]	VCOM_O TP_TIME [1]	VCOM_O TP_TIME [1]	00																																																																																																																																																																																																											
Description	This command is used to set VCOM Voltage. <ul style="list-style-type: none"> • VCOMDC_F[7:0]: Specify the VCOMDC voltage at GS_PANEL="0". • VCOMDC_B[7:0]: Specify the VCOMDC voltage at GS_PANEL="1". 																																																																																																																																																																																																																				
	<table border="1"> <thead> <tr> <th>VCOMDC_F[7:0] VCOMDC_B[7:0] (Hex)</th> <th>VCOMDC (V)</th> <th>VCOMDC_F[7:0] VCOMDC_B[7:0] (Hex)</th> <th>VCOMDC (V)</th> <th>VCOMDC_F[7:0] VCOMDC_B[7:0] (Hex)</th> <th>VCOMDC (V)</th> </tr> </thead> <tbody> <tr><td>0</td><td>0</td><td>10</td><td>-0.36</td><td>20</td><td>-0.55</td></tr> <tr><td>1</td><td>-0.025</td><td>11</td><td>-0.375</td><td>21</td><td>-0.56</td></tr> <tr><td>2</td><td>-0.05</td><td>12</td><td>-0.39</td><td>22</td><td>-0.57</td></tr> <tr><td>3</td><td>-0.075</td><td>13</td><td>-0.405</td><td>23</td><td>-0.58</td></tr> <tr><td>4</td><td>-0.1</td><td>14</td><td>-0.42</td><td>24</td><td>-0.59</td></tr> <tr><td>5</td><td>-0.125</td><td>15</td><td>-0.435</td><td>25</td><td>-0.6</td></tr> <tr><td>6</td><td>-0.15</td><td>16</td><td>-0.45</td><td>26</td><td>-0.61</td></tr> <tr><td>7</td><td>-0.175</td><td>17</td><td>-0.46</td><td>27</td><td>-0.62</td></tr> <tr><td>8</td><td>-0.2</td><td>18</td><td>-0.47</td><td>28</td><td>-0.63</td></tr> <tr><td>9</td><td>-0.225</td><td>19</td><td>-0.48</td><td>29</td><td>-0.64</td></tr> <tr><td>A</td><td>-0.25</td><td>1A</td><td>-0.49</td><td>2A</td><td>-0.65</td></tr> <tr><td>B</td><td>-0.275</td><td>1B</td><td>-0.5</td><td>2B</td><td>-0.66</td></tr> <tr><td>C</td><td>-0.3</td><td>1C</td><td>-0.51</td><td>2C</td><td>-0.67</td></tr> <tr><td>D</td><td>-0.315</td><td>1D</td><td>-0.52</td><td>2D</td><td>-0.68</td></tr> <tr><td>E</td><td>-0.33</td><td>1E</td><td>-0.53</td><td>2E</td><td>-0.69</td></tr> <tr><td>F</td><td>-0.345</td><td>1F</td><td>-0.54</td><td>2F</td><td>-0.7</td></tr> </tbody> </table> <table border="1"> <thead> <tr> <th>VCOMDC_F[7:0] VCOMDC_B[7:0] (Hex)</th> <th>VCOMDC (V)</th> <th>VCOMDC_F[7:0] VCOMDC_B[7:0] (Hex)</th> <th>VCOMDC (V)</th> <th>VCOMDC_F[7:0] VCOMDC_B[7:0] (Hex)</th> <th>VCOMDC (V)</th> </tr> </thead> <tbody> <tr><td>30</td><td>-0.71</td><td>40</td><td>-0.87</td><td>50</td><td>-1.03</td></tr> <tr><td>31</td><td>-0.72</td><td>41</td><td>-0.88</td><td>51</td><td>-1.04</td></tr> <tr><td>32</td><td>-0.73</td><td>42</td><td>-0.89</td><td>52</td><td>-1.05</td></tr> <tr><td>33</td><td>-0.74</td><td>43</td><td>-0.9</td><td>53</td><td>-1.06</td></tr> <tr><td>34</td><td>-0.75</td><td>44</td><td>-0.91</td><td>54</td><td>-1.07</td></tr> <tr><td>35</td><td>-0.76</td><td>45</td><td>-0.92</td><td>55</td><td>-1.08</td></tr> <tr><td>36</td><td>-0.77</td><td>46</td><td>-0.93</td><td>56</td><td>-1.09</td></tr> <tr><td>37</td><td>-0.78</td><td>47</td><td>-0.94</td><td>57</td><td>-1.1</td></tr> <tr><td>38</td><td>-0.79</td><td>48</td><td>-0.95</td><td>58</td><td>-1.11</td></tr> <tr><td>39</td><td>-0.8</td><td>49</td><td>-0.96</td><td>59</td><td>-1.12</td></tr> <tr><td>3A</td><td>-0.81</td><td>4A</td><td>-0.97</td><td>5A</td><td>-1.13</td></tr> <tr><td>3B</td><td>-0.82</td><td>4B</td><td>-0.98</td><td>5B</td><td>-1.14</td></tr> <tr><td>3C</td><td>-0.83</td><td>4C</td><td>-0.99</td><td>5C</td><td>-1.15</td></tr> <tr><td>3D</td><td>-0.84</td><td>4D</td><td>-1</td><td>5D</td><td>-1.16</td></tr> <tr><td>3E</td><td>-0.85</td><td>4E</td><td>-1.01</td><td>5E</td><td>-1.17</td></tr> <tr><td>3F</td><td>-0.86</td><td>4F</td><td>-1.02</td><td>5F</td><td>-1.18</td></tr> </tbody> </table>										VCOMDC_F[7:0] VCOMDC_B[7:0] (Hex)	VCOMDC (V)	VCOMDC_F[7:0] VCOMDC_B[7:0] (Hex)	VCOMDC (V)	VCOMDC_F[7:0] VCOMDC_B[7:0] (Hex)	VCOMDC (V)	0	0	10	-0.36	20	-0.55	1	-0.025	11	-0.375	21	-0.56	2	-0.05	12	-0.39	22	-0.57	3	-0.075	13	-0.405	23	-0.58	4	-0.1	14	-0.42	24	-0.59	5	-0.125	15	-0.435	25	-0.6	6	-0.15	16	-0.45	26	-0.61	7	-0.175	17	-0.46	27	-0.62	8	-0.2	18	-0.47	28	-0.63	9	-0.225	19	-0.48	29	-0.64	A	-0.25	1A	-0.49	2A	-0.65	B	-0.275	1B	-0.5	2B	-0.66	C	-0.3	1C	-0.51	2C	-0.67	D	-0.315	1D	-0.52	2D	-0.68	E	-0.33	1E	-0.53	2E	-0.69	F	-0.345	1F	-0.54	2F	-0.7	VCOMDC_F[7:0] VCOMDC_B[7:0] (Hex)	VCOMDC (V)	VCOMDC_F[7:0] VCOMDC_B[7:0] (Hex)	VCOMDC (V)	VCOMDC_F[7:0] VCOMDC_B[7:0] (Hex)	VCOMDC (V)	30	-0.71	40	-0.87	50	-1.03	31	-0.72	41	-0.88	51	-1.04	32	-0.73	42	-0.89	52	-1.05	33	-0.74	43	-0.9	53	-1.06	34	-0.75	44	-0.91	54	-1.07	35	-0.76	45	-0.92	55	-1.08	36	-0.77	46	-0.93	56	-1.09	37	-0.78	47	-0.94	57	-1.1	38	-0.79	48	-0.95	58	-1.11	39	-0.8	49	-0.96	59	-1.12	3A	-0.81	4A	-0.97	5A	-1.13	3B	-0.82	4B	-0.98	5B	-1.14	3C	-0.83	4C	-0.99	5C	-1.15	3D	-0.84	4D	-1	5D	-1.16	3E	-0.85	4E	-1.01	5E	-1.17	3F	-0.86	4F	-1.02	5F
VCOMDC_F[7:0] VCOMDC_B[7:0] (Hex)	VCOMDC (V)	VCOMDC_F[7:0] VCOMDC_B[7:0] (Hex)	VCOMDC (V)	VCOMDC_F[7:0] VCOMDC_B[7:0] (Hex)	VCOMDC (V)																																																																																																																																																																																																																
0	0	10	-0.36	20	-0.55																																																																																																																																																																																																																
1	-0.025	11	-0.375	21	-0.56																																																																																																																																																																																																																
2	-0.05	12	-0.39	22	-0.57																																																																																																																																																																																																																
3	-0.075	13	-0.405	23	-0.58																																																																																																																																																																																																																
4	-0.1	14	-0.42	24	-0.59																																																																																																																																																																																																																
5	-0.125	15	-0.435	25	-0.6																																																																																																																																																																																																																
6	-0.15	16	-0.45	26	-0.61																																																																																																																																																																																																																
7	-0.175	17	-0.46	27	-0.62																																																																																																																																																																																																																
8	-0.2	18	-0.47	28	-0.63																																																																																																																																																																																																																
9	-0.225	19	-0.48	29	-0.64																																																																																																																																																																																																																
A	-0.25	1A	-0.49	2A	-0.65																																																																																																																																																																																																																
B	-0.275	1B	-0.5	2B	-0.66																																																																																																																																																																																																																
C	-0.3	1C	-0.51	2C	-0.67																																																																																																																																																																																																																
D	-0.315	1D	-0.52	2D	-0.68																																																																																																																																																																																																																
E	-0.33	1E	-0.53	2E	-0.69																																																																																																																																																																																																																
F	-0.345	1F	-0.54	2F	-0.7																																																																																																																																																																																																																
VCOMDC_F[7:0] VCOMDC_B[7:0] (Hex)	VCOMDC (V)	VCOMDC_F[7:0] VCOMDC_B[7:0] (Hex)	VCOMDC (V)	VCOMDC_F[7:0] VCOMDC_B[7:0] (Hex)	VCOMDC (V)																																																																																																																																																																																																																
30	-0.71	40	-0.87	50	-1.03																																																																																																																																																																																																																
31	-0.72	41	-0.88	51	-1.04																																																																																																																																																																																																																
32	-0.73	42	-0.89	52	-1.05																																																																																																																																																																																																																
33	-0.74	43	-0.9	53	-1.06																																																																																																																																																																																																																
34	-0.75	44	-0.91	54	-1.07																																																																																																																																																																																																																
35	-0.76	45	-0.92	55	-1.08																																																																																																																																																																																																																
36	-0.77	46	-0.93	56	-1.09																																																																																																																																																																																																																
37	-0.78	47	-0.94	57	-1.1																																																																																																																																																																																																																
38	-0.79	48	-0.95	58	-1.11																																																																																																																																																																																																																
39	-0.8	49	-0.96	59	-1.12																																																																																																																																																																																																																
3A	-0.81	4A	-0.97	5A	-1.13																																																																																																																																																																																																																
3B	-0.82	4B	-0.98	5B	-1.14																																																																																																																																																																																																																
3C	-0.83	4C	-0.99	5C	-1.15																																																																																																																																																																																																																
3D	-0.84	4D	-1	5D	-1.16																																																																																																																																																																																																																
3E	-0.85	4E	-1.01	5E	-1.17																																																																																																																																																																																																																
3F	-0.86	4F	-1.02	5F	-1.18																																																																																																																																																																																																																



VCOMDC_F[7:0] VCOMDC_B[7:0] (Hex)	VCOMDC (V)	VCOMDC_F[7:0] VCOMDC_B[7:0] (Hex)	VCOMDC (V)	VCOMDC_F[7:0] VCOMDC_B[7:0] (Hex)	VCOMDC (V)
60	-1.19	70	-1.35	80	-1.51
61	-1.2	71	-1.36	81	-1.52
62	-1.21	72	-1.37	82	-1.53
63	-1.22	73	-1.38	83	-1.54
64	-1.23	74	-1.39	84	-1.55
65	-1.24	75	-1.4	85	-1.56
66	-1.25	76	-1.41	86	-1.57
67	-1.26	77	-1.42	87	-1.58
68	-1.27	78	-1.43	88	-1.59
69	-1.28	79	-1.44	89	-1.6
6A	-1.29	7A	-1.45	8A	-1.61
6B	-1.3	7B	-1.46	8B	-1.62
6C	-1.31	7C	-1.47	8C	-1.63
6D	-1.32	7D	-1.48	8D	-1.64
6E	-1.33	7E	-1.49	8E	-1.65
6F	-1.34	7F	-1.5	8F	-1.66

VCOMDC_F[7:0] VCOMDC_B[7:0] (Hex)	VCOMDC (V)	VCOMDC_F[7:0] VCOMDC_B[7:0] (Hex)	VCOMDC (V)	VCOMDC_F[7:0] VCOMDC_B[7:0] (Hex)	VCOMDC (V)
90	-1.67	A0	-1.845	B0	-2.085
91	-1.68	A1	-1.86	B1	-2.1
92	-1.69	A2	-1.875	B2	-2.115
93	-1.7	A3	-1.89	B3	-2.13
94	-1.71	A4	-1.905	B4	-2.145
95	-1.72	A5	-1.92	B5	-2.16
96	-1.73	A6	-1.935	B6	-2.175
97	-1.74	A7	-1.95	B7	-2.19
98	-1.75	A8	-1.965	B8	-2.205
99	-1.76	A9	-1.98	B9	-2.22
9A	-1.77	AA	-1.995	BA	-2.235
9B	-1.78	AB	-2.01	BB	-2.25
9C	-1.79	AC	-2.025	BC	-2.265
9D	-1.8	AD	-2.04	BD	-2.28
9E	-1.815	AE	-2.055	BE	-2.295
9F	-1.83	AF	-2.07	BF	-2.31

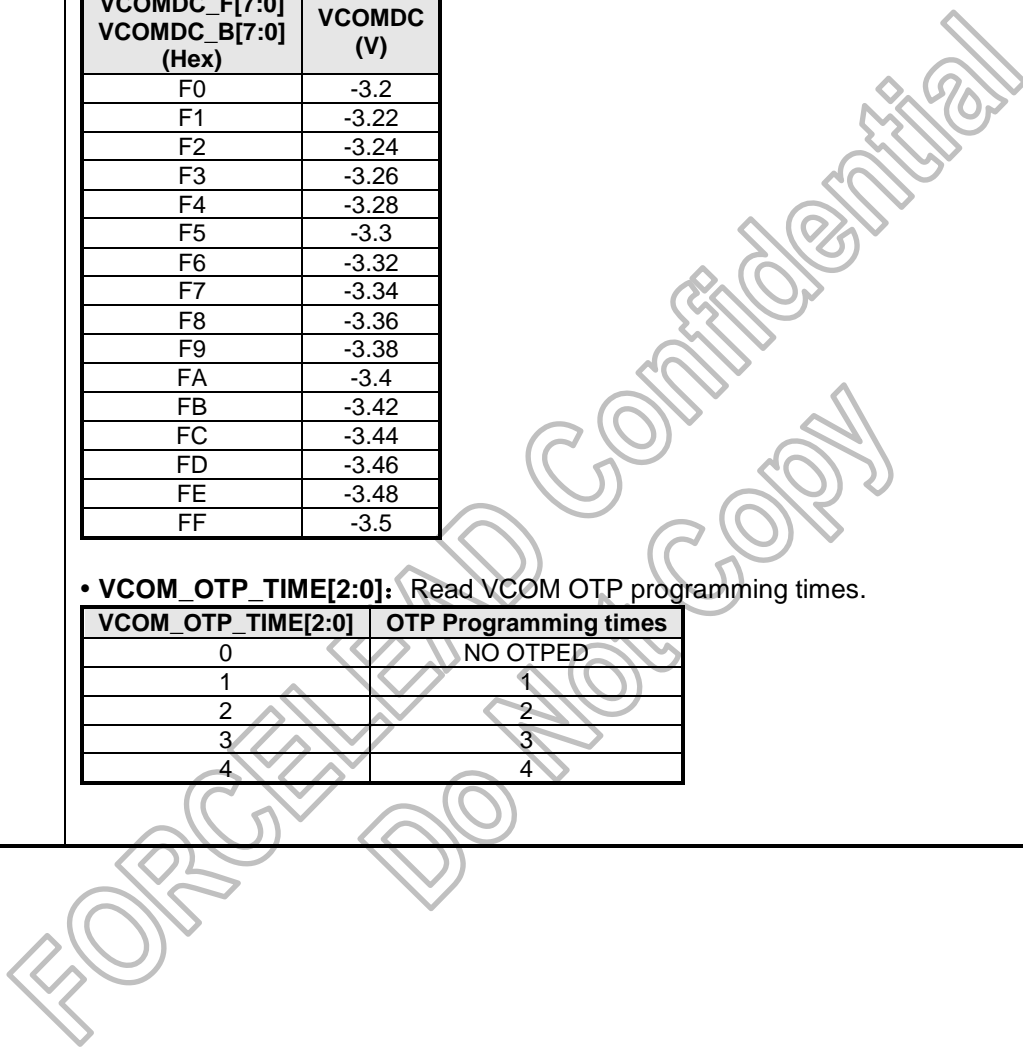
VCOMDC_F[7:0] VCOMDC_B[7:0] (Hex)	VCOMDC (V)	VCOMDC_F[7:0] VCOMDC_B[7:0] (Hex)	VCOMDC (V)	VCOMDC_F[7:0] VCOMDC_B[7:0] (Hex)	VCOMDC (V)
C0	-2.325	D0	-2.565	E0	-2.88
C1	-2.34	D1	-2.58	E1	-2.9
C2	-2.355	D2	-2.6	E2	-2.92
C3	-2.37	D3	-2.62	E3	-2.94
C4	-2.385	D4	-2.64	E4	-2.96
C5	-2.4	D5	-2.66	E5	-2.98
C6	-2.415	D6	-2.68	E6	-3
C7	-2.43	D7	-2.7	E7	-3.02
C8	-2.445	D8	-2.72	E8	-3.04
C9	-2.46	D9	-2.74	E9	-3.06
CA	-2.475	DA	-2.76	EA	-3.08
CB	-2.49	DB	-2.78	EB	-3.1
CC	-2.505	DC	-2.8	EC	-3.12
CD	-2.52	DD	-2.82	ED	-3.14
CE	-2.535	DE	-2.84	EE	-3.16
CF	-2.55	DF	-2.86	EF	-3.18



VCOMDC_F[7:0] VCOMDC_B[7:0] (Hex)	VCOMDC (V)
F0	-3.2
F1	-3.22
F2	-3.24
F3	-3.26
F4	-3.28
F5	-3.3
F6	-3.32
F7	-3.34
F8	-3.36
F9	-3.38
FA	-3.4
FB	-3.42
FC	-3.44
FD	-3.46
FE	-3.48
FF	-3.5

• **VCOM_OTP_TIME[2:0]**: Read VCOM OTP programming times.

VCOM_OTP_TIME[2:0]	OTP Programming times
0	NO OTPED
1	1
2	2
3	3
4	4





6.2.57 SETOTP (B7h)

B7 H	SETOTP																											
	R/W	D7	D6	D5	D4	D3	D2	D1	D0	HEX																		
Command	W	1	0	1	1	0	1	1	1	B7																		
Parameter 1st	R/W	OTP_KEY[7]	OTP_KEY[6]	OTP_KEY[5]	OTP_KEY[4]	OTP_KEY[3]	OTP_KEY[2]	OTP_KEY[1]	OTP_KEY[0]	FF																		
Parameter 2nd	R/W	OTP_MASK[7]	OTP_MASK[6]	OTP_MASK[5]	OTP_MASK[4]	OTP_MASK[3]	OTP_MASK[2]	OTP_MASK[1]	OTP_MASK[0]	00																		
Parameter 3rd	R/W	PSRR_VPP	VPP_SEL[2]	VPP_SEL[1]	VPP_SEL[0]	x	X	x	OTP_INDEX[8]	30																		
Parameter 4th	R/W	OTP_INDEX[7]	OTP_INDEX[6]	OTP_INDEX[5]	OTP_INDEX[4]	OTP_INDEX[3]	OTP_INDEX[2]	OTP_INDEX[1]	OTP_INDEX[0]	00																		
Parameter 5th	R/W	Load_DIS	VPP_EN	OTP_SEL	OTP_PWE	OTP_PTM[1]	OTP_PTM[0]	OTP_POR	OTP_PORG	00																		
Parameter 6th	R	OTP_DATA[7]	OTP_DATA[6]	OTP_DATA[5]	OTP_DATA[4]	OTP_DATA[3]	OTP_DATA[2]	OTP_DATA[1]	OTP_DATA[0]	00																		
Description	<p>This command is used to set OTP related setting.</p> <ul style="list-style-type: none"> • OTP_KEY[7:0]: Enable OTP function key. <ul style="list-style-type: none"> - OTP_KEY = "5A", enable OTP function. - OTP_KEY = "00", disable OTP function. • OTP_MASK[7:0]: Mask function for OTP programming. <ul style="list-style-type: none"> - 1: Means this bit will not be OTP in all programming process. - 0: Means this bit will be OTP in all programming process. • PSRR_VPP: Speeds up OP AMP for VPP, reducing voltage drop during OTP. <ul style="list-style-type: none"> - 1: Enable VPP Power PSRR function. - 0: Disable VPP Power PSRR function. • VPPSEL[2:0]: Specify VPP Voltage selection. <table border="1" style="margin-left: 20px;"> <thead> <tr> <th>VPPSEL[2:0]</th> <th>VPP Voltage (Ver.J)</th> </tr> </thead> <tbody> <tr><td>0</td><td>7.2</td></tr> <tr><td>1</td><td>7.5</td></tr> <tr><td>2</td><td>7.7</td></tr> <tr><td>3</td><td>8.0</td></tr> <tr><td>4</td><td>8.2</td></tr> <tr><td>5</td><td>8.5</td></tr> <tr><td>6</td><td>8.8</td></tr> <tr><td>7</td><td>External Power</td></tr> </tbody> </table> • OTP_INDEX[8:0]: Set OTP Index of target register or byte. • Load_DIS: Disable OTP load function. <ul style="list-style-type: none"> - 1: Disable OTP load function. - 0: Enable OTP load function. • VPP_EN: Enable VPP Power. <ul style="list-style-type: none"> - 1: Enable VPP Power. - 0: Disable VPP Power. • OTP_SEL: OTP functional block selection. <ul style="list-style-type: none"> - Automatically set by IC in auto OTP. - Manually set by user in manual OTP of DG register. 										VPPSEL[2:0]	VPP Voltage (Ver.J)	0	7.2	1	7.5	2	7.7	3	8.0	4	8.2	5	8.5	6	8.8	7	External Power
VPPSEL[2:0]	VPP Voltage (Ver.J)																											
0	7.2																											
1	7.5																											
2	7.7																											
3	8.0																											
4	8.2																											
5	8.5																											
6	8.8																											
7	External Power																											



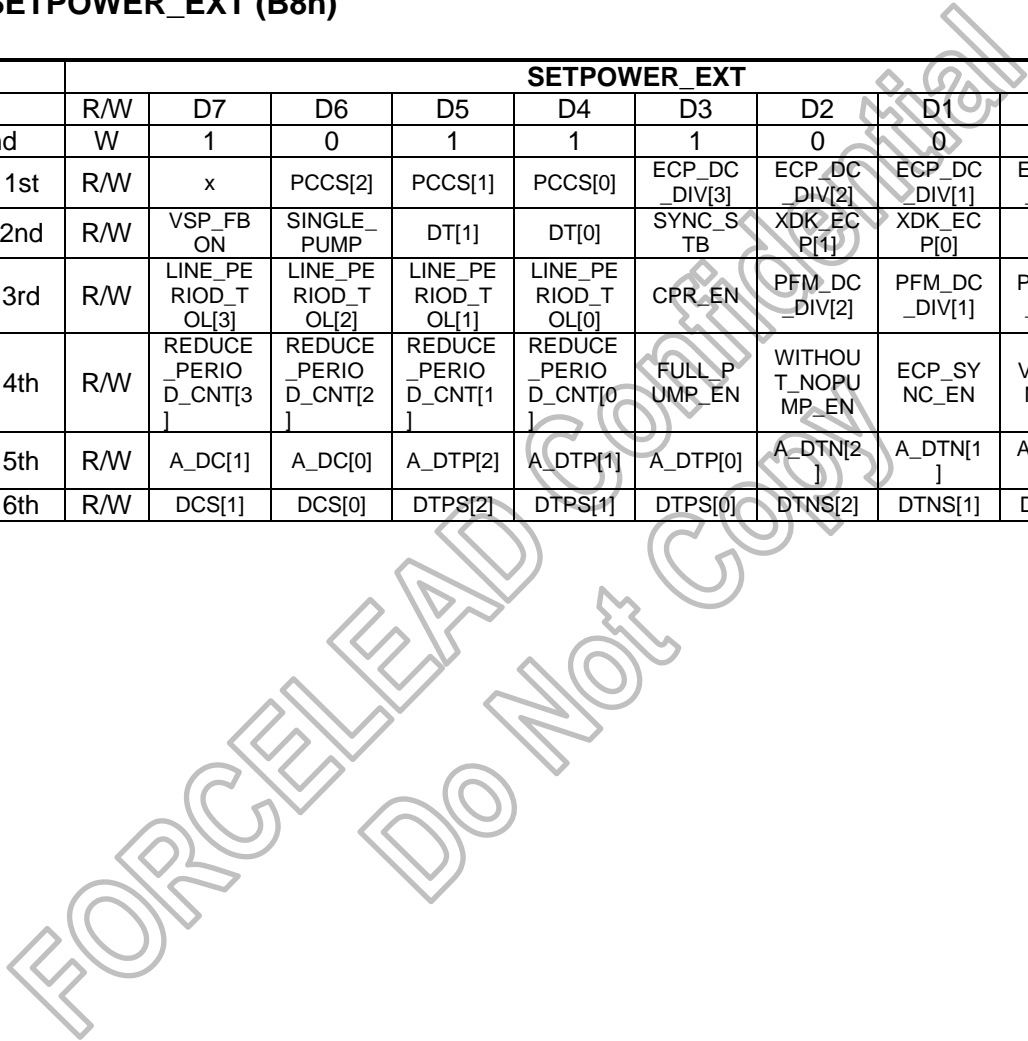
Description	<ul style="list-style-type: none">• OTP_PWE: OTP Write Signal.<ul style="list-style-type: none">- 1: OTP Write- 0: OTP don't Write • OTP_PTM[1:0]: For testing OTP robustness in test mode.<ul style="list-style-type: none">- For CP usage. • OTP_POR: OTP Read Signal.<ul style="list-style-type: none">- 1: OTP Read- 0: OTP don't Read • OTP_PORG: OTP Auto programming with related register.<ul style="list-style-type: none">- 1: OTP auto programming start.- 0: OTP auto programming stop. • OTP_DATA[7:0]: OTP Data read back when VPP_POR="1".
-------------	---

FORCELEAD Confidential
Do Not Copy



6.2.58 SETPOWER_EXT (B8h)

B8 H	SETPOWER_EXT									
	R/W	D7	D6	D5	D4	D3	D2	D1	D0	HEX
Command	W	1	0	1	1	1	0	0	0	B8
Parameter 1st	R/W	x	PCCS[2]	PCCS[1]	PCCS[0]	ECP_DC_DIV[3]	ECP_DC_DIV[2]	ECP_DC_DIV[1]	ECP_DC_DIV[0]	24
Parameter 2nd	R/W	VSP_FB_ON	SINGLE_PUMP	DT[1]	DT[0]	SYNC_STB	XDK_ECP[1]	XDK_ECP[0]	x	22
Parameter 3rd	R/W	LINE_PERIOD_TOL[3]	LINE_PERIOD_TOL[2]	LINE_PERIOD_TOL[1]	LINE_PERIOD_TOL[0]	CPR_EN	PFM_DC_DIV[2]	PFM_DC_DIV[1]	PFM_DC_DIV[0]	00
Parameter 4th	R/W	REDUCE_PERIOD_CNT[3]	REDUCE_PERIOD_CNT[2]	REDUCE_PERIOD_CNT[1]	REDUCE_PERIOD_CNT[0]	FULL_PUMP_EN	WITHOUT_NOPUMP_EN	ECP_SYNC_EN	VGX_SYNC_EN	03
Parameter 5th	R/W	A_DC[1]	A_DC[0]	A_DTP[2]	A_DTP[1]	A_DTP[0]	A_DTN[2]	A_DTN[1]	A_DTN[0]	ED
Parameter 6th	R/W	DCS[1]	DCS[0]	DTPS[2]	DTPS[1]	DTPS[0]	DTNS[2]	DTNS[1]	DTNS[0]	00





Description	This command is used to set display related register.																																																							
	• PCCS[2:0]: External power IC or PFM selection.																																																							
	<table border="1"> <thead> <tr> <th colspan="3">PCCS[2:0]</th> <th>IOVCC</th> <th>VCI</th> <th>VSP</th> <th>VSN</th> </tr> </thead> <tbody> <tr> <td>0</td><td>0</td><td>0</td> <td>IOVCC</td> <td>VCI</td> <td>PFM TYPE-A</td> <td>PFM TYPE-A</td> </tr> <tr> <td>0</td><td>0</td><td>1</td> <td>IOVCC</td> <td>VCI</td> <td>PFM TYPE-C</td> <td>PFM TYPE-C</td> </tr> <tr> <td>0</td><td>1</td><td>0</td> <td>IOVCC</td> <td>VCI</td> <td>FL1002</td> <td>FL1002</td> </tr> <tr> <td>0</td><td>1</td><td>1</td> <td>IOVCC</td> <td>VCI</td> <td>PFM TYPE-B</td> <td>PFM TYPE-B</td> </tr> <tr> <td>1</td><td>0</td><td>0</td> <td>IOVCC</td> <td>VCI</td> <td>PFM TYPE-A</td> <td>PFM TYPE-A</td> </tr> <tr> <td>1</td><td>1</td><td>1</td> <td>IOVCC</td> <td>VCI</td> <td>External VSP</td> <td>External VSN</td> </tr> </tbody> </table>							PCCS[2:0]			IOVCC	VCI	VSP	VSN	0	0	0	IOVCC	VCI	PFM TYPE-A	PFM TYPE-A	0	0	1	IOVCC	VCI	PFM TYPE-C	PFM TYPE-C	0	1	0	IOVCC	VCI	FL1002	FL1002	0	1	1	IOVCC	VCI	PFM TYPE-B	PFM TYPE-B	1	0	0	IOVCC	VCI	PFM TYPE-A	PFM TYPE-A	1	1	1	IOVCC	VCI	External VSP	External VSN
	PCCS[2:0]			IOVCC	VCI	VSP	VSN																																																	
	0	0	0	IOVCC	VCI	PFM TYPE-A	PFM TYPE-A																																																	
	0	0	1	IOVCC	VCI	PFM TYPE-C	PFM TYPE-C																																																	
	0	1	0	IOVCC	VCI	FL1002	FL1002																																																	
	0	1	1	IOVCC	VCI	PFM TYPE-B	PFM TYPE-B																																																	
	1	0	0	IOVCC	VCI	PFM TYPE-A	PFM TYPE-A																																																	
	1	1	1	IOVCC	VCI	External VSP	External VSN																																																	
• ECP_DC_DIV[3:0]: Specify VCSW1 / VCSW2 Frequency for Pumping VSP / VSN.																																																								
<table border="1"> <thead> <tr> <th>ECP_DC_DIV[3:0]</th> <th>VCSW1/2 Period</th> <th>ECP_DC_DIV[3:0]</th> <th>VCSW1/2 Period</th> </tr> </thead> <tbody> <tr> <td>0</td> <td>8 Hsync</td> <td>8</td> <td>1/12 Hsync</td> </tr> <tr> <td>1</td> <td>4 Hsync</td> <td>9</td> <td>1/16 Hsync</td> </tr> <tr> <td>2</td> <td>2 Hsync</td> <td>A</td> <td>1/20 Hsync</td> </tr> <tr> <td>3</td> <td>1 Hsync</td> <td>B</td> <td>1/25 Hsync</td> </tr> <tr> <td>4</td> <td>1/2 Hsync</td> <td>C</td> <td>1/36 Hsync</td> </tr> <tr> <td>5</td> <td>1/4 Hsync</td> <td>D</td> <td>1/56 Hsync</td> </tr> <tr> <td>6</td> <td>1/6 Hsync</td> <td>E</td> <td>1/72 Hsync</td> </tr> <tr> <td>7</td> <td>1/8 Hsync</td> <td>F</td> <td>Setting invalid</td> </tr> </tbody> </table>							ECP_DC_DIV[3:0]	VCSW1/2 Period	ECP_DC_DIV[3:0]	VCSW1/2 Period	0	8 Hsync	8	1/12 Hsync	1	4 Hsync	9	1/16 Hsync	2	2 Hsync	A	1/20 Hsync	3	1 Hsync	B	1/25 Hsync	4	1/2 Hsync	C	1/36 Hsync	5	1/4 Hsync	D	1/56 Hsync	6	1/6 Hsync	E	1/72 Hsync	7	1/8 Hsync	F	Setting invalid														
ECP_DC_DIV[3:0]	VCSW1/2 Period	ECP_DC_DIV[3:0]	VCSW1/2 Period																																																					
0	8 Hsync	8	1/12 Hsync																																																					
1	4 Hsync	9	1/16 Hsync																																																					
2	2 Hsync	A	1/20 Hsync																																																					
3	1 Hsync	B	1/25 Hsync																																																					
4	1/2 Hsync	C	1/36 Hsync																																																					
5	1/4 Hsync	D	1/56 Hsync																																																					
6	1/6 Hsync	E	1/72 Hsync																																																					
7	1/8 Hsync	F	Setting invalid																																																					
• VSP_FBON: Enable VSP Feedback Function.																																																								
<ul style="list-style-type: none"> - 1: Enable VSP feed back function - 0: Disable VSP feed back function 																																																								
• SINGLE_PUMP: Specify signal pump state.																																																								
<ul style="list-style-type: none"> - 1: VCSW1 Toggle; VCSW2 GND. - 0: VCSW1 / VCSW2 Toggle. 																																																								
• DT[1:0]: Specify VCSW1/VCSW2 soft start time.																																																								
<table border="1"> <thead> <tr> <th>DT[1:0]</th> <th>Period (ms)</th> </tr> </thead> <tbody> <tr> <td>0</td> <td>5</td> </tr> <tr> <td>1</td> <td>10</td> </tr> <tr> <td>2</td> <td>15</td> </tr> <tr> <td>3</td> <td>20</td> </tr> </tbody> </table>							DT[1:0]	Period (ms)	0	5	1	10	2	15	3	20																																								
DT[1:0]	Period (ms)																																																							
0	5																																																							
1	10																																																							
2	15																																																							
3	20																																																							
• SYNC_STB: Enter synchronous standby mode.																																																								
<ul style="list-style-type: none"> - 1: All power signal synchronous turn off. - 0: All power signal sequence turn off. 																																																								



Description

- **XDK_ECP[1:0]:** Specify Pumping ratio of VSP / VSN with VCI.

XDK_ECP[1:0]	Ratio
0	X1.5
1	X2
2	X3
3	Setting Inhibited

- **PFM_DC_DIV[2:0]:** Specify PFM operation frequency FoscD.

PFM_DC_DIV[2:0]	FoscD
0	Fosc/1
1	Fosc/2
2	Fosc/3
3	Fosc/4
4	Fosc/5
5	Fosc/6
6	Fosc/7
7	Fosc/8

- **ECP_SYNC_EN:** Enable power IC pumping frequency synchronization.

- 1: Synchronize with external Hsync.
- 0: Synchronize with internal Hsync.

- **VGX_SYNC_EN:** Enable VGH/VGL pumping frequency synchronization.

- 1: Synchronize with external Hsync.
- 0: Synchronize with internal Hsync.

- **A_DC[1:0]:** Specify PFM operation half period.

A_DC[1:0]	Period
0	4/FoscD
1	6/FoscD
2	8/FoscD
3	12/FoscD

- **A_DTP[2:0]:** Specify PFM period of VSP.
- **A_DTN[2:0]:** Specify PFM period of VSN.
- **DTPS[2:0]:** Specify PFM period of VSP at soft start stage.
- **DTNS[2:0]:** Specify PFM period of VSN at soft start stage.

DTN[2:0] DTP[2:0] DTPS[2:0] DTNS[2:0]	Period
0	1/FoscD
1	2/FoscD
2	3/FoscD
3	4/FoscD
4	5/FoscD
5	6/FoscD
6	7/FoscD
7	8/FoscD

- **DCS[1:0]:** Specify PFM operation half period at soft start stage.

DCS[1:0]	Period
0	12/FoscD
1	24/FoscD
2	48/FoscD
3	60/FoscD



6.2.59 SETMIPI (BAh)

BA H	SETMIPI									
	R/W	D7	D6	D5	D4	D3	D2	D1	D0	HEX
Command	W	1	0	1	1	1	0	1	0	BA
Parameter 1st	R/W	HOSTTY PE	CD_DLY	x	CRC_En able	VC_Main [1]	VC_Main [0]	Lane_Nu mber[1]	Lane_Nu mber[0]	33
Parameter 2nd	R/W	DSI_LDO _SEL[2]	DSI_LDO _SEL[1]	DSI_LDO _SEL[0]	LPTX_D R[2]	LPTX_D R[1]	LPTX_D R[0]	RTERM[1]	RTERM[0]	61
Parameter 3rd	R/W	x	x	x	X	IHSRX[3]	IHSRX[2]	IHSRX[1]	IHSRX[0]	06
Parameter 4th	R/W	DSI_HFP OTP	Txs_Wait [2]	Txs_Wait [1]	Txs_Wait [0]	Tx_clk_s el[1]	Tx_clk_s el[0]	VBP_OS C_EN	VFP_OS C_EN	F9
Parameter 5th	R/W	HFP_OS C[7]	HFP_OS C[6]	HFP_OS C[5]	HFP_OS C[4]	HFP_OS C[3]	HFP_OS C[2]	HFP_OS C[1]	HFP_OS C[0]	FF
Parameter 6th	R/W	HBP_OS C[7]	HBP_OS C[6]	HBP_OS C[5]	HBP_OS C[4]	HBP_OS C[3]	HBP_OS C[2]	HBP_OS C[1]	HBP_OS C[0]	0A

FORCELEAD Do Not Copy



Description

This command is used to set MIPI related register.

- **VC_Main [1:0]:** Specify the virtual channel ID for multiple slave ID.
- **Lane [1:0]:** Specify the lane number selection.

Lane[1:0]	MIPI Lane
0	1 lane
1	2 lanes
2	3 lanes
3	4 lanes

- **DSI_LDO_SEL[2:0]:** Specify the MIPI LDO voltage selection.

DSI_LDO_SEL[2:0]	LDO voltage (V)	DSI_LDO_SEL[2:0]	LDO voltage (V)
0	1.4	4	1.7
1	1.45	5	1.8
2	1.5	6	1.9
3	1.6	7	2.0

- **RTERM[1:0]:** Specify the terminal resistance

RTERM [1:0]	Resistance (Ω)
0	110
1	100
2	90
3	80

- **IHSRX[3:0]:** Specify the MIPI Low High Speed driving ability .

IHSRX [3:0]	Driving Ability	IHSRX [3:0]	Driving Ability
0	X1	8	X9
1	X2	9	X10
2	X3	10	X11
3	X4	11	X12
4	X5	12	X13
5	X6	13	X14
6	X7	14	X15
7	X8	15	X16

- **Tx_clk[1:0]:** Specify TXCLK speed in DSI LP mode for transmission.

Tx_clk[1:0]	TXCLK
0	fDSICLK/4
1	fDSICLK/8
2	fDSICLK/16
3	fDSICLK/32

- **HFP_OSC[7:0]:** Specify the min. HFP number in DSI mode.
- **HBP_OSC[7:0]:** Specify the min. HBP number in DSI mode.



6.2.60 SETVDC (BCh)

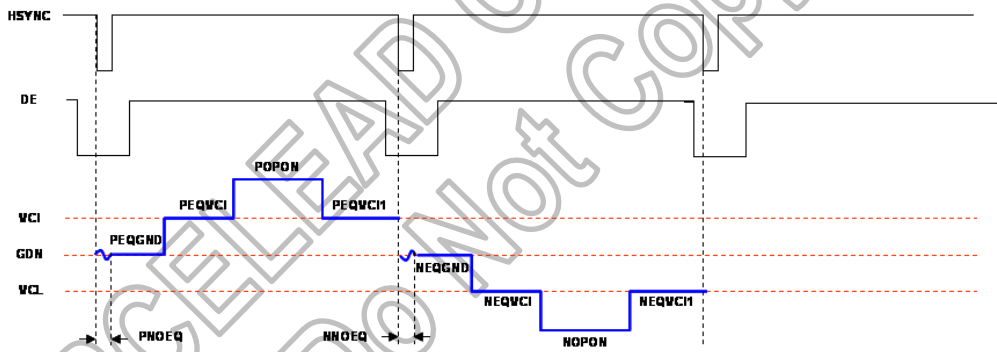
BC H	SETVDC																																									
	R/W	D7	D6	D5	D4	D3	D2	D1	D0	HEX																																
Command	W	1	0	1	1	1	1	0	0	BC																																
Parameter 1st	R/W	x	NVDDD_SEL[2]	NVDDD_SEL[1]	NVDDD_SEL[0]	ENDR_VDDD	VDDD_SEL[2]	VDDD_SEL[1]	VDDD_SEL[0]	21																																
Description	This command is used to control NVDDD/VDDD Voltage.																																									
	<ul style="list-style-type: none"> • NVDDD_SEL[2:0]: Specify the NVDDD voltage selection. 																																									
	<table border="1"> <thead> <tr> <th>NVDDD_SEL[2:0]</th> <th>NVDDD (V)</th> </tr> </thead> <tbody> <tr><td>0</td><td>-1.3</td></tr> <tr><td>1</td><td>-1.4</td></tr> <tr><td>2</td><td>-1.5</td></tr> <tr><td>3</td><td>-1.6</td></tr> <tr><td>4</td><td>-1.65</td></tr> <tr><td>5</td><td>-1.7</td></tr> <tr><td>6</td><td>-1.75</td></tr> <tr><td>7</td><td>-1.8</td></tr> </tbody> </table>										NVDDD_SEL[2:0]	NVDDD (V)	0	-1.3	1	-1.4	2	-1.5	3	-1.6	4	-1.65	5	-1.7	6	-1.75	7	-1.8														
	NVDDD_SEL[2:0]	NVDDD (V)																																								
	0	-1.3																																								
	1	-1.4																																								
	2	-1.5																																								
	3	-1.6																																								
	4	-1.65																																								
	5	-1.7																																								
6	-1.75																																									
7	-1.8																																									
<ul style="list-style-type: none"> • ENDR_VDDD: Enlarge OP_VDDD driving ability. 																																										
<ul style="list-style-type: none"> • VDDD_SEL[2:0]: Specify the VDDD voltage selection. 																																										
<table border="1"> <thead> <tr> <th>VDDD_SEL[2:0]</th> <th>VDDD (V)</th> </tr> </thead> <tbody> <tr><td>0</td><td>1.4</td></tr> <tr><td>1</td><td>1.5</td></tr> <tr><td>2</td><td>1.55</td></tr> <tr><td>3</td><td>1.6</td></tr> <tr><td>4</td><td>1.65</td></tr> <tr><td>5</td><td>1.7</td></tr> <tr><td>6</td><td>1.75</td></tr> <tr><td>7</td><td>1.8</td></tr> </tbody> </table>										VDDD_SEL[2:0]	VDDD (V)	0	1.4	1	1.5	2	1.55	3	1.6	4	1.65	5	1.7	6	1.75	7	1.8															
VDDD_SEL[2:0]	VDDD (V)																																									
0	1.4																																									
1	1.5																																									
2	1.55																																									
3	1.6																																									
4	1.65																																									
5	1.7																																									
6	1.75																																									
7	1.8																																									
<table border="1"> <thead> <tr> <th colspan="3">NVDDD&NVREF(V)</th> </tr> <tr> <th>NVREF</th> <th>-4.9</th> <th>-5.5</th> </tr> <tr> <td></td> <th>NVDDD(V)</th> <th>NVDDD(V)</th> </tr> </thead> <tbody> <tr><td>0</td><td>-1.33</td><td>-1.28</td></tr> <tr><td>1</td><td>-1.43</td><td>-1.38</td></tr> <tr><td>2</td><td>-1.53</td><td>-1.47</td></tr> <tr><td>3</td><td>-1.63</td><td>-1.57</td></tr> <tr><td>4</td><td>-1.68</td><td>-1.62</td></tr> <tr><td>5</td><td>-1.74</td><td>-1.67</td></tr> <tr><td>6</td><td>-1.79</td><td>-1.72</td></tr> <tr><td>7</td><td>-1.84</td><td>-1.77</td></tr> </tbody> </table>										NVDDD&NVREF(V)			NVREF	-4.9	-5.5		NVDDD(V)	NVDDD(V)	0	-1.33	-1.28	1	-1.43	-1.38	2	-1.53	-1.47	3	-1.63	-1.57	4	-1.68	-1.62	5	-1.74	-1.67	6	-1.79	-1.72	7	-1.84	-1.77
NVDDD&NVREF(V)																																										
NVREF	-4.9	-5.5																																								
	NVDDD(V)	NVDDD(V)																																								
0	-1.33	-1.28																																								
1	-1.43	-1.38																																								
2	-1.53	-1.47																																								
3	-1.63	-1.57																																								
4	-1.68	-1.62																																								
5	-1.74	-1.67																																								
6	-1.79	-1.72																																								
7	-1.84	-1.77																																								



6.2.61 SETSCR (C0h)

C0 H	SETSCR									
	R/W	D7	D6	D5	D4	D3	D2	D1	D0	HEX
Command	W	1	1	0	0	0	0	0	0	C0
Parameter 1st	R/W	N_POPO N[7]	N_POPO N[6]	N_POPO N[5]	N_POPO N[4]	N_POPO N[3]	N_POPO N[2]	N_POPO N[1]	N_POPO N[0]	73
Parameter 2nd	R/W	N_NOPO N[7]	N_NOPO N[6]	N_NOPO N[5]	N_NOPO N[4]	N_NOPO N[3]	N_NOPO N[2]	N_NOPO N[1]	N_NOPO N[0]	73
Parameter 3rd	R/W	I_POPO N[7]	I_POPO N[6]	I_POPO N[5]	I_POPO N[4]	I_POPO N[3]	I_POPO N[2]	I_POPO N[1]	I_POPO N[0]	50
Parameter 4th	R/W	I_NOPO N[7]	I_NOPO N[6]	I_NOPO N[5]	I_NOPO N[4]	I_NOPO N[3]	I_NOPO N[2]	I_NOPO N[1]	I_NOPO N[0]	50
Parameter 5th	R/W	SCR[31]	SCR[30]	SCR[29]	SCR[28]	SCR[27]	SCR[26]	SCR[25]	SCR[24]	C0
Parameter 6th	R/W	SCR[23]	SCR[22]	SCR[21]	SCR[20]	SCR[19]	SCR[18]	SCR[17]	SCR[16]	00
Parameter 7th	R/W	SCR[15]	SCR[14]	SCR[13]	SCR[12]	SCR[11]	SCR[10]	SCR[9]	SCR[8]	08
Parameter 8th	R/W	SCR[7]	SCR[6]	SCR[5]	SCR[4]	SCR[3]	SCR[2]	SCR[1]	SCR[0]	70

This command is used to set related setting of Source driving.



Description

- **N_POPON [7:0]**
- Specify the source OP Amp driving period for positive polarity in Normal Mode.
- **N_NOPON[7:0]**
- Specify the source OP Amp driving period for negative polarity in Normal Mode.
- **I_POPON [7:0]**
- Specify the source OP Amp driving period for positive polarity in Idle mode.
- **I_NOPON [7:0]**
- Specify the source OP Amp driving period for negative polarity in Idle Mode.

OPON[7:0]	Source OP Period
0	1*4/Fosc
1	1*4/Fosc
2	2*4/Fosc
3	3*4/Fosc
⋮	⋮
FD	253*4/Fosc
FE	254*4/Fosc
FF	255*4/Fosc



Description	<ul style="list-style-type: none"> • SCR [3:0]: Source and Gamma bias current core tune. 			
	SCR[3:0]	lbias	SCR[3:0]	lbias
	0	1	C	3.0
	1	1.25	D	3.25
	2	1.5	E	3.5
	3	1.75	F	3.75
	4	2.0	others	Setting Inhibited
	5	2.25		
	6	2.5		
	7	2.75		
	<ul style="list-style-type: none"> • SCR [8:4]: Source bias current fine tune. • SCR [13:9]: Gamma bias current fine tune. 			
	SCR[8:4] SCR[13:9] (Hex)	Current xlbias	SCR[8:4] SCR[13:9]	Current xlbias
	0	Setting Inhibited	0	16
	1	1	1	17
	2	2	2	18
	3	3	3	19
	4	4	4	20
	5	5	5	21
	6	6	6	22
	7	7	7	23
	8	8	8	24
	9	9	9	25
	A	10	A	26
	B	11	B	27
	C	12	C	28
D	13	D	29	
E	14	E	30	
F	15	F	31	



6.2.62 SETPOWER (C1h)

C1 H	SETPOWER									
	R/W	D7	D6	D5	D4	D3	D2	D1	D0	HEX
Command	W	1	1	0	0	0	0	0	1	C1
Parameter 1st	R/W	VBTHS[3]]	VBTHS[2]]	VBTHS[1]]	VBTHS[0]]	VBTLS[3]	VBTLS[2]	VBTLS[1]	VBTLS[0]	53
Parameter 2nd	R/W	FBOFF_VGH	FBOFF_VGL	x	x	x	x	x	x	C0
Parameter 3rd	R/W	x	x	VRP[5]	VRP[4]	VRP[3]	VRP[2]	VRP[1]	VRP[0]	16
Parameter 4th	R/W	x	x	VRN[5]	VRN[4]	VRN[3]	VRN[2]	VRN[1]	VRN[0]	16
Parameter 5th	R/W	VSPS[3]	VSPS[2]	VSPS[1]	VSPS[0]	VSNS[3]	VSNS[2]	VSNS[1]	VSNS[0]	77
Parameter 6th	R/W	VGL_DE_T_EN	VGH_DE_T_EN	VGL_TU_RBO	VGH_TU_RBO	x	APS[2]	APS[1]	APS[0]	D1
Parameter 7th	R/W	VGH1_L_DIV[3]	VGH1_L_DIV[2]	VGH1_L_DIV[1]	VGH1_L_DIV[0]	VGL1_L_DIV[3]	VGL1_L_DIV[2]	VGL1_L_DIV[1]	VGL1_L_DIV[0]	CC
Parameter 8th	R/W	VGH1_R_DIV[3]	VGH1_R_DIV[2]	VGH1_R_DIV[1]	VGH1_R_DIV[0]	VGL1_R_DIV[3]	VGL1_R_DIV[2]	VGL1_R_DIV[1]	VGL1_R_DIV[0]	DD
Parameter 9th	R/W	VGH2_L_DIV[3]	VGH2_L_DIV[2]	VGH2_L_DIV[1]	VGH2_L_DIV[0]	VGL2_L_DIV[3]	VGL2_L_DIV[2]	VGL2_L_DIV[1]	VGL2_L_DIV[0]	67
Parameter 10th	R/W	VGH2_R_DIV[3]	VGH2_R_DIV[2]	VGH2_R_DIV[1]	VGH2_R_DIV[0]	VGL2_R_DIV[3]	VGL2_R_DIV[2]	VGL2_R_DIV[1]	VGL2_R_DIV[0]	77
Parameter 11h	R/W	VGH3_L_DIV[3]	VGH3_L_DIV[2]	VGH3_L_DIV[1]	VGH3_L_DIV[0]	VGL3_L_DIV[3]	VGL3_L_DIV[2]	VGL3_L_DIV[1]	VGL3_L_DIV[0]	33
Parameter 12h	R/W	VGH3_R_DIV[3]	VGH3_R_DIV[2]	VGH3_R_DIV[1]	VGH3_R_DIV[0]	VGL3_R_DIV[3]	VGL3_R_DIV[2]	VGL3_R_DIV[1]	VGL3_R_DIV[0]	33
Parameter 13h	R/W	VGH4_L_DIV[3]	VGH4_L_DIV[2]	VGH4_L_DIV[1]	VGH4_L_DIV[0]	VGL4_L_DIV[3]	VGL4_L_DIV[2]	VGL4_L_DIV[1]	VGL4_L_DIV[0]	11
Parameter 14h	R/W	VGH4_R_DIV[3]	VGH4_R_DIV[2]	VGH4_R_DIV[1]	VGH4_R_DIV[0]	VGL4_R_DIV[3]	VGL4_R_DIV[2]	VGL4_R_DIV[1]	VGL4_R_DIV[0]	11
Parameter 15h	R/W	VGH5_L_DIV[3]	VGH5_L_DIV[2]	VGH5_L_DIV[1]	VGH5_L_DIV[0]	VGL5_L_DIV[3]	VGL5_L_DIV[2]	VGL5_L_DIV[1]	VGL5_L_DIV[0]	00
Parameter 16h	R/W	VGH5_R_DIV[3]	VGH5_R_DIV[2]	VGH5_R_DIV[1]	VGH5_R_DIV[0]	VGL5_R_DIV[3]	VGL5_R_DIV[2]	VGL5_R_DIV[1]	VGL5_R_DIV[0]	00

This command is used to set related setting of power.

- **VBTHS[3:0]**: The voltage adjustment of VGH.
- FBOFF_VGH must be 0

VBTHS[3:0] (Hex)	VGH Voltage (V)	VBTHS[3:0] (Hex)	VGH Voltage (V)	VBTHS[3:0] (Hex)	VGH Voltage (V)
0	10	4	14	8	18
1	11	5	15	9	18
2	12	6	16	A	18
3	13	7	17	B-F	18

- **VBTLS[3:0]**: The voltage adjustment of VGL.
- FBOFF_VGL must be 0

VBTLS[3:0] (Hex)	VGL Voltage (V)	VBTLS[3:0] (Hex)	VGL Voltage (V)	VBTLS[3:0] (Hex)	VGL Voltage (V)
0	-7	4	-11	8	-15
1	-8	5	-12	9	-16
2	-9	6	-13	A	-17
3	-10	7	-14	B-F	-18

- **FBOFF_VGH**: Enable VGH feedback detect function.
- 1: Disable VGH feedback voltage detection. Output voltage = 15V
- 0: Enable VGH feedback voltage detection. Output voltage = VBTHS
- **FBOFF_VGL**: Enable VGL feedback detect function.
- 1: Disable VGL feedback voltage detection. Output voltage = -10V.
- 0: Enable VGL feedback voltage detection. Output voltage = VBTL5.



Description

- **VRP[5:0]/VRN[5:0]:** Specify the VSPROUT/VSNROUT voltage.
 - VSPROUT= {Decimal (VRH [5:0]) x0.05+3.3} x (VREF/4.8) if VREF [4] =0.
 - VSNROUT= {Decimal (VRH [5:0]) x0.05+3.3} x (VREF/5.6) if VREF [4] =1.

VRP[5:0] VRN[5:0] (Hex)	VSPROUT VSNROUT (V)	VRP[5:0] VRN[5:0] (Hex)	VSPROUT VSNROUT (V)	VRP[5:0] VRN[5:0] (Hex)	VSPROUT VSNROUT (V)
0	3.23	E	3.92	1C	4.60
1	3.28	F	3.97	1D	4.65
2	3.33	10	4.01	1E	4.70
3	3.38	11	4.06	1F*	4.70
4	3.43	12	4.11	20*	5.2
5	3.48	13	4.16	21*	5.3
6	3.53	14	4.21	22*	5.4
7	3.57	15	4.26	23*	5.5
8	3.62	16	4.31	24*	5.55
9	3.67	17	4.36	25*	5.6
A	3.72	18	4.41	26*	5.65
B	3.77	19	4.46	27*	5.7
C	3.82	1A	4.50	28	STOP
D	3.87	1B	4.55	29~3F	STOP

Note: When VREF [4] =0, the max voltage of VSPROUT/VSNROUT will be 4.7V/-4.7V.

- **VGL_DET_EN:** Enable VGL voltage Detect Function.
 - 09h_01[3] = 1: VGL voltage Abnormal.
 - 09h_01[3] = 0: VGL voltage Normal.
- **VGH_DET_EN:** Enable VGH voltage Detect Function.
 - 09h_01[0] = 1: VGH voltage Abnormal.
 - 09h_01[0] = 0: VGH voltage Normal.
- **VGL_TURBO:** Enlarge VGL Voltage at FBOFF_VGL=1, must set this bit at sleep in status.
 - 1: VGL=-15V
 - 0: VGL=-10V
- **VGH_TURBO:** Enlarge VGH Voltage at FBOFF_VGH=1, must set this bit at sleep in status.
 - 1: VGH=20V
 - 0: VGH=15V



• **APS[2:0]:** Adjust power bias current of all regulator voltage.

APS[2:0]			Bias Current
0	0	0	Stop
0	0	1	Small
0	1	0	Medium Small
0	1	1	Medium Large
1	0	0	Large
others			Setting Invalid

- **VGH1_L_DIV[3:0]:** Specify left side VGH stage 1 pumping frequency.
- **VGH1_R_DIV[3:0]:** Specify right side VGH stage 1 pumping frequency.
- **VGH2_L_DIV[3:0]:** Specify left side VGH stage 2 pumping frequency.
- **VGH2_R_DIV[3:0]:** Specify right side VGH stage 2 pumping frequency.
- **VGH3_L_DIV[3:0]:** Specify left side VGH stage 3 pumping frequency.
- **VGH3_R_DIV[3:0]:** Specify right side VGH stage 3 pumping frequency.
- **VGH4_L_DIV[3:0]:** Specify left side VGH stage 4 pumping frequency.
- **VGH4_R_DIV[3:0]:** Specify right side VGH stage 4 pumping frequency.
- **VGH5_L_DIV[3:0]:** Specify left side VGH stage 5 pumping frequency.
- **VGH5_R_DIV[3:0]:** Specify right side VGH stage 5 pumping frequency.
- **VGL1_L_DIV[3:0]:** Specify left side VGL stage 1 pumping frequency.
- **VGL1_R_DIV[3:0]:** Specify right side VGL stage 1 pumping frequency.
- **VGL2_L_DIV[3:0]:** Specify left side VGL stage 2 pumping frequency.
- **VGL2_R_DIV[3:0]:** Specify right side VGL stage 2 pumping frequency.
- **VGL3_L_DIV[3:0]:** Specify left side VGL stage 3 pumping frequency.
- **VGL3_R_DIV[3:0]:** Specify right side VGL stage 3 pumping frequency.
- **VGL4_L_DIV[3:0]:** Specify left side VGL stage 4 pumping frequency.
- **VGL4_R_DIV[3:0]:** Specify right side VGL stage 4 pumping frequency.
- **VGL5_L_DIV[3:0]:** Specify left side VGL stage 5 pumping frequency.
- **VGL5_R_DIV[3:0]:** Specify right side VGL stage 5 pumping frequency.

VGH1/2/3/4/5_DIV[3:0] VGL1/2/3/4/5_DIV[3:0]				Frequency (MHz)
0	0	0	0	36
0	0	0	1	18
0	0	1	0	12
0	0	1	1	9
0	1	0	0	7.2
0	1	0	1	6
0	1	1	0	5.1
0	1	1	1	4.5
1	0	0	0	4
1	0	0	1	3.6
1	0	1	0	3.3
1	0	1	1	3
1	1	0	0	2.6
1	1	0	1	2.1
1	1	1	0	1.8
1	1	1	1	1.5



6.2.63 SETID (C3h)

C3 H	SETID																					
	R/W	D7	D6	D5	D4	D3	D2	D1	D0	HEX												
Command	W	1	1	0	0	0	0	1	1	C3												
Parameter 1st	R/W	ID1[7]	ID1[6]	ID1[5]	ID1[4]	ID1[3]	ID1[2]	ID1[1]	ID1[0]	38												
Parameter 2nd	R/W	ID2[7]	ID2[6]	ID2[5]	ID2[4]	ID2[3]	ID2[2]	ID2[1]	ID2[0]	21												
Parameter 3rd	R/W	ID3[7]	ID3[6]	ID3[5]	ID3[4]	ID3[3]	ID3[2]	ID3[1]	ID3[0]	1F												
Parameter 4th	R	x	x	x	x	x	ID_TIME[2]	ID_TIME[1]	ID_TIME[0]	00												
Description	<p>This command is used for setting ID.</p> <ul style="list-style-type: none"> • ID1[7:0] / ID2[7:0] / ID3[7:0]: Set ID1 / ID2 / ID3 respectively - 04h / DAh / DBh / DEh change correspondingly • ID_TIME[2:0]: Read ID OTP programming times. <table border="1"> <thead> <tr> <th>ID_TIME[2:0]</th> <th>OTP Programming times</th> </tr> </thead> <tbody> <tr> <td>0</td> <td>NO OTPED</td> </tr> <tr> <td>1</td> <td>1</td> </tr> <tr> <td>2</td> <td>2</td> </tr> <tr> <td>3</td> <td>3</td> </tr> <tr> <td>4</td> <td>4</td> </tr> </tbody> </table>										ID_TIME[2:0]	OTP Programming times	0	NO OTPED	1	1	2	2	3	3	4	4
ID_TIME[2:0]	OTP Programming times																					
0	NO OTPED																					
1	1																					
2	2																					
3	3																					
4	4																					

6.2.64 SETDDB (C4h)

C4 H	SETDDB									
	R/W	D7	D6	D5	D4	D3	D2	D1	D0	HEX
Command	W	1	1	0	0	0	1	0	0	C4
Parameter 1st	R/W	DDB1[7]	DDB1[6]	DDB1[5]	DDB1[4]	DDB1[3]	DDB1[2]	DDB1[1]	DDB1[0]	00
Parameter 2nd	R/W	DDB2[7]	DDB2[6]	DDB2[5]	DDB2[4]	DDB2[3]	DDB2[2]	DDB2[1]	DDB2[0]	00
Parameter 3rd	R/W	DDB3[7]	DDB3[6]	DDB3[5]	DDB3[4]	DDB3[3]	DDB3[2]	DDB3[1]	DDB3[0]	00
Parameter 4th	R/W	DDB4[7]	DDB4[6]	DDB4[5]	DDB4[4]	DDB4[3]	DDB4[2]	DDB4[1]	DDB4[0]	00
Description	<p>This command is used to set CMD DDB1~4 value.</p> <ul style="list-style-type: none"> • DDB1[7:0] ~ DDB4[7:0]: Set DDB1 ~ DDB4. 									



6.2.65 SETECO (C6h)

C6 H	SETECO									
	R/W	D7	D6	D5	D4	D3	D2	D1	D0	HEX
Command	W	1	1	0	0	0	1	1	0	C6
Parameter 1st	R/W	ECO0[7]	ECO0[6]	ECO0[5]	ECO0[4]	ECO0[3]	ECO0[2]	ECO0[1]	ECO0[0]	01
Parameter 2nd	R/W	ECO1[7]	ECO1[6]	ECO1[5]	ECO1[4]	ECO1[3]	ECO1[2]	ECO1[1]	ECO1[0]	00
Parameter 3rd	R/W	ECO2[7]	ECO2[6]	ECO2[5]	ECO2[4]	ECO2[3]	ECO2[2]	ECO2[1]	ECO2[0]	CF
Parameter 4th	R/W	ECO3[7]	ECO3[6]	ECO3[5]	ECO3[4]	ECO3[3]	ECO3[2]	ECO3[1]	ECO3[0]	FF
Parameter 5th	R/W	ECO4[7]	ECO4[6]	ECO4[5]	ECO4[4]	ECO4[3]	ECO4[2]	ECO4[1]	ECO4[0]	00
Parameter 6th	R/W	ECO5[7]	ECO5[6]	ECO5[5]	ECO5[4]	ECO5[3]	ECO5[2]	ECO5[1]	ECO5[0]	FF
Description	This command is used to control ECO register.									

6.2.66 SETIO (C7h)

C7 H	SETIO									
	R/W	D7	D6	D5	D4	D3	D2	D1	D0	HEX
Command	W	1	1	0	0	0	1	1	1	C7
Parameter 1st	R/W	PWM_O E	x	INVPWM	VOUT_O E	HOUT_O E				00
Parameter 2nd	R/W	x	V_DELA Y[2]	V_DELA Y[1]	V_DELA Y[0]	SMRPS_ IPHONE	H_DELA Y[2]	H_DELA Y[1]	H_DELA Y[0]	00



Description

This command is used to set I/O related register.

- **PWM_OE:** PWM output CABC PWM signal.
 - 1: Enable CABC PWM signal.
 - 0: Disable CABC PWM signal.
- **INVPWM:** Inverse polarity of CABC PWM signal.
 - 1: CABC PWM signal is inversed.
 - 0: Original CABC PWM signal.
- **VOUT_OE:** VOUT pin output frame synchronization signal.
- **HOUT_OE:** HOUT pin output horizontal synchronization signal.
- **V_DELAY[2:0]:** Specify Vertical Sync. delay time.

V_DELAY[2:0]	Delay time (ns)
0	0
1	1666
2	3332
3	4998
4	6664
5	8330
6	9996
7	11662

- **H_DELAY[2:0]:** Specify horizontal sync delay time.

H_DELAY[2:0]	Delay time (ns)
0	0
1	1666
2	3332
3	4998
4	6664
5	8330
6	9996
7	11662



6.2.67 SETCABC (C8h)

C8 H	SETCABC									
	R/W	D7	D6	D5	D4	D3	D2	D1	D0	HEX
Command	W	1	1	0	0	1	0	0	0	C8
Parameter 1st	R/W	x	PWMDIV [2]	PWMDIV [1]	PWMDIV [0]	PWMDL Y_sel[2]	PWMDL Y_sel[1]	PWMDL Y_sel[0]	DBV_MS B_TYPE	10
Parameter 2nd	R/W	PWM_PE RIOD[7]	PWM_PE RIOD[6]	PWM_PE RIOD[5]	PWM_PE RIOD[4]	PWM_PE RIOD[3]	PWM_PE RIOD[2]	PWM_PE RIOD[1]	PWM_PE RIOD[0]	40
Description	This command is used to set CABC related register.									
	• PWMDIV[2:0]: CABC PWM Frequency Fpwm control.									
	PWMDIV[2:0]		PWM Fpwm							
	0		Fosc/1							
	1		Fosc/2							
2		Fosc/4								
3		Fosc/8								
4		Fosc/16								
• PWMPERIOD[7:0]: CABC PWM output frequency control.										
PWMPERIOD[7:0]		PWM frequency								
0		Fpwm/1								
1		Fpwm/1								
2		Fpwm/2								
:		:								
3F		Fpwm/127								



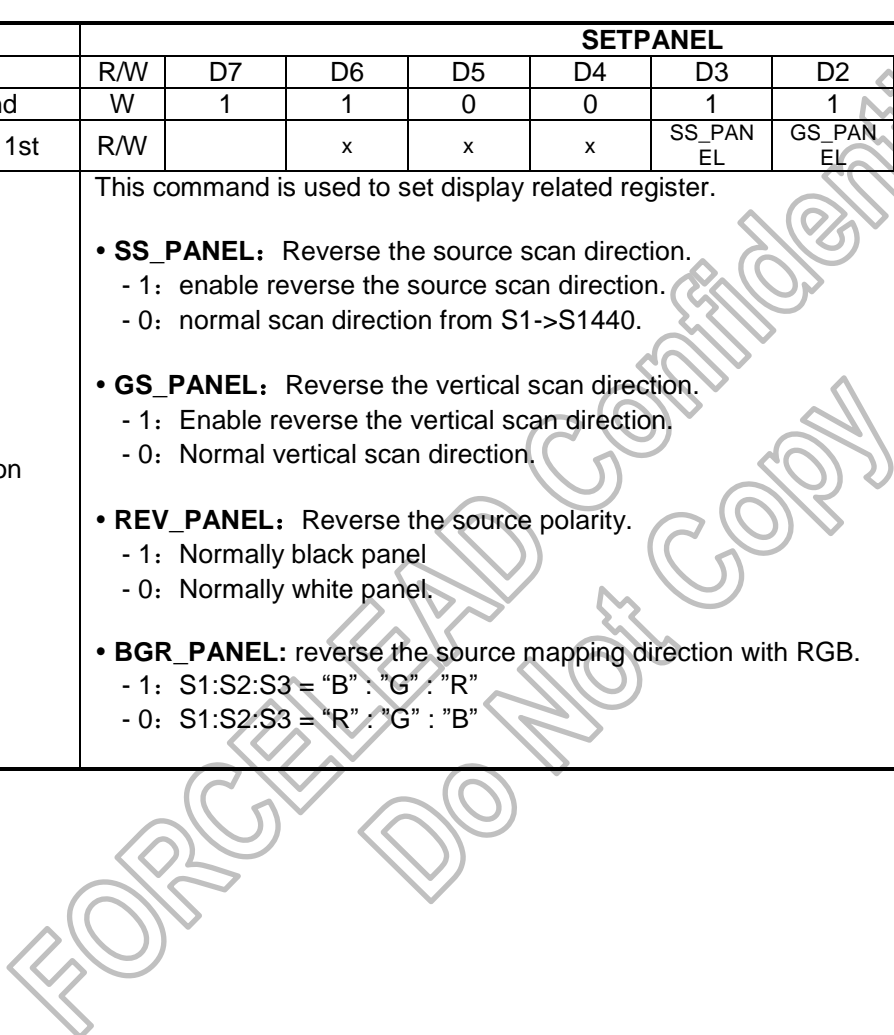
6.2.68 SETCLOCK (CBh)

CB H	SETCLOCK																																												
	R/W	D7	D6	D5	D4	D3	D2	D1	D0	HEX																																			
Command	W	1	1	0	0	1	0	1	1	CB																																			
Parameter 1st	R/W	OSC_DI V2	FORCE_ ULP[2]	FORCE_ ULP[1]	FORCE_ ULP[0]	x	FRADJ[2]	FRADJ[1]	FRADJ[0]	03																																			
Description	<p>This command is used to set OSC related register.</p> <ul style="list-style-type: none"> • OSC_DIV2: Halve PWM Frequency <ul style="list-style-type: none"> - 1: Halve PWM Frequency - 0: Not Halve PWM Frequency • FORCE_ULP: Enter ULP Mode <ul style="list-style-type: none"> - 5: Enter ULP Mode - Leave ULP Mode by HWRESET only • FRADJ[2:0]: Adjust internal oscillator frequency (Fosc). 																																												
	<table border="1"> <thead> <tr> <th colspan="3">FRADJ</th> <th>Internal oscillator frequency</th> </tr> </thead> <tbody> <tr> <td>0</td> <td>0</td> <td>0</td> <td>20.2M</td> </tr> <tr> <td>0</td> <td>0</td> <td>1</td> <td>24.2M</td> </tr> <tr> <td>0</td> <td>1</td> <td>0</td> <td>30.1M</td> </tr> <tr> <td>0</td> <td>1</td> <td>1</td> <td>36.9M</td> </tr> <tr> <td>1</td> <td>0</td> <td>0</td> <td>41.1M</td> </tr> <tr> <td>1</td> <td>0</td> <td>1</td> <td>49.1M</td> </tr> <tr> <td>1</td> <td>1</td> <td>0</td> <td>20.2M</td> </tr> <tr> <td>1</td> <td>1</td> <td>1</td> <td>20.2M</td> </tr> </tbody> </table>										FRADJ			Internal oscillator frequency	0	0	0	20.2M	0	0	1	24.2M	0	1	0	30.1M	0	1	1	36.9M	1	0	0	41.1M	1	0	1	49.1M	1	1	0	20.2M	1	1	1
FRADJ			Internal oscillator frequency																																										
0	0	0	20.2M																																										
0	0	1	24.2M																																										
0	1	0	30.1M																																										
0	1	1	36.9M																																										
1	0	0	41.1M																																										
1	0	1	49.1M																																										
1	1	0	20.2M																																										
1	1	1	20.2M																																										



6.2.69 SETPANEL (CCh)

CC H	SETPANEL									
	R/W	D7	D6	D5	D4	D3	D2	D1	D0	HEX
Command	W	1	1	0	0	1	1	0	0	CC
Parameter 1st	R/W		x	x	x	SS_PANEL	GS_PANEL	REV_PANEL	BGR_PANEL	00
Description	<p>This command is used to set display related register.</p> <ul style="list-style-type: none"> • SS_PANEL: Reverse the source scan direction. <ul style="list-style-type: none"> - 1: enable reverse the source scan direction. - 0: normal scan direction from S1->S1440. • GS_PANEL: Reverse the vertical scan direction. <ul style="list-style-type: none"> - 1: Enable reverse the vertical scan direction. - 0: Normal vertical scan direction. • REV_PANEL: Reverse the source polarity. <ul style="list-style-type: none"> - 1: Normally black panel - 0: Normally white panel. • BGR_PANEL: reverse the source mapping direction with RGB. <ul style="list-style-type: none"> - 1: S1:S2:S3 = "B" : "G" : "R" - 0: S1:S2:S3 = "R" : "G" : "B" 									





6.2.70 DGC_R (CDh)

CD H	DGC_R									
	R/W	D7	D6	D5	D4	D3	D2	D1	D0	HEX
Command	W	1	1	0	0	1	1	0	1	CD
Parameter 1st	R/W	x	x	x	x	x	DITH_EN	DITH_OP T	DGC_EN	00
Parameter 2nd	W	DGC_LU T_R00[7]	DGC_LU T_R00[6]	DGC_LU T_R00[5]	DGC_LU T_R00[4]	DGC_LU T_R00[3]	DGC_LU T_R00[2]	DGC_LU T_R00[1]	DGC_LU T_R00[0]	80
Parameter 3rd	W	DGC_LU T_R01[7]	DGC_LU T_R01[6]	DGC_LU T_R01[5]	DGC_LU T_R01[4]	DGC_LU T_R01[3]	DGC_LU T_R01[2]	DGC_LU T_R01[1]	DGC_LU T_R01[0]	80
Parameter 4th	W	DGC_LU T_R02[7]	DGC_LU T_R02[6]	DGC_LU T_R02[5]	DGC_LU T_R02[4]	DGC_LU T_R02[3]	DGC_LU T_R02[2]	DGC_LU T_R02[1]	DGC_LU T_R02[0]	80
:	:	:	:	:	:	:	:	:	:	
Parameter 10th	W	DGC_LU T_R08[7]	DGC_LU T_R08[6]	DGC_LU T_R08[5]	DGC_LU T_R08[4]	DGC_LU T_R08[3]	DGC_LU T_R08[2]	DGC_LU T_R08[1]	DGC_LU T_R08[0]	80
Parameter 11th	W	DGC_LU T_R09[7]	DGC_LU T_R09[6]	DGC_LU T_R09[5]	DGC_LU T_R09[4]	DGC_LU T_R09[3]	DGC_LU T_R09[2]	DGC_LU T_R09[1]	DGC_LU T_R09[0]	80
Parameter 12th	W	DGC_LU T_R10[7]	DGC_LU T_R10[6]	DGC_LU T_R10[5]	DGC_LU T_R10[4]	DGC_LU T_R10[3]	DGC_LU T_R10[2]	DGC_LU T_R10[1]	DGC_LU T_R10[0]	80
Parameter 13th	W	DGC_LU T_R11[7]	DGC_LU T_R11[6]	DGC_LU T_R11[5]	DGC_LU T_R11[4]	DGC_LU T_R11[3]	DGC_LU T_R11[2]	DGC_LU T_R11[1]	DGC_LU T_R11[0]	80
:	:	:	:	:	:	:	:	:	:	
Parameter 20th	W	DGC_LU T_R18[7]	DGC_LU T_R18[6]	DGC_LU T_R18[5]	DGC_LU T_R18[4]	DGC_LU T_R18[3]	DGC_LU T_R18[2]	DGC_LU T_R18[1]	DGC_LU T_R18[0]	80
Parameter 21th	W	DGC_LU T_R19[7]	DGC_LU T_R19[6]	DGC_LU T_R19[5]	DGC_LU T_R19[4]	DGC_LU T_R19[3]	DGC_LU T_R19[2]	DGC_LU T_R19[1]	DGC_LU T_R19[0]	80
Parameter 22th	W	DGC_LU T_R20[7]	DGC_LU T_R20[6]	DGC_LU T_R20[5]	DGC_LU T_R20[4]	DGC_LU T_R20[3]	DGC_LU T_R20[2]	DGC_LU T_R20[1]	DGC_LU T_R20[0]	80
Parameter 23th	W:	DGC_LU T_R21[7]	DGC_LU T_R21[6]	DGC_LU T_R21[5]	DGC_LU T_R21[4]	DGC_LU T_R21[3]	DGC_LU T_R21[2]	DGC_LU T_R21[1]	DGC_LU T_R21[0]	80
:	:	:	:	:	:	:	:	:	:	
Parameter 30th	W	DGC_LU T_R28[7]	DGC_LU T_R28[6]	DGC_LU T_R28[5]	DGC_LU T_R28[4]	DGC_LU T_R28[3]	DGC_LU T_R28[2]	DGC_LU T_R28[1]	DGC_LU T_R28[0]	80
Parameter 31th	W	DGC_LU T_R29[7]	DGC_LU T_R29[6]	DGC_LU T_R29[5]	DGC_LU T_R29[4]	DGC_LU T_R29[3]	DGC_LU T_R29[2]	DGC_LU T_R29[1]	DGC_LU T_R29[0]	80
Parameter 32th	W	DGC_LU T_R30[7]	DGC_LU T_R30[6]	DGC_LU T_R30[5]	DGC_LU T_R30[4]	DGC_LU T_R30[3]	DGC_LU T_R30[2]	DGC_LU T_R30[1]	DGC_LU T_R30[0]	80
Parameter 33th	W	DGC_LU T_R31[7]	DGC_LU T_R31[6]	DGC_LU T_R31[5]	DGC_LU T_R31[4]	DGC_LU T_R31[3]	DGC_LU T_R31[2]	DGC_LU T_R31[1]	DGC_LU T_R31[0]	80
Parameter 34th	W	DGC_LU T_R32[7]	DGC_LU T_R32[6]	DGC_LU T_R32[5]	DGC_LU T_R32[4]	DGC_LU T_R32[3]	DGC_LU T_R32[2]	DGC_LU T_R32[1]	DGC_LU T_R32[0]	80
Description	<p>This command is used to set Red color digital gamma.</p> <ul style="list-style-type: none"> • DGC_EN: Control digital gamma function. <ul style="list-style-type: none"> - 1: Enable digital gamma function. - 0: Disable digital gamma function. • DGC_LUT_R00 [7:0] ~ DGC_LUT_R32 [7:0]: Red color digital gamma LUT table. 									

6.2.71 DGC_G (CEh)

CE H	DGC_G									
Command	R/W	D7	D6	D5	D4	D3	D2	D1	D0	HEX
Command	W	1	1	0	0	1	1	1	0	CE
Parameter 1st	W	DGC_LU T_G00[7]	DGC_LU T_G00[6]	DGC_LU T_G00[5]	DGC_LU T_G00[4]	DGC_LU T_G00[3]	DGC_LU T_G00[2]	DGC_LU T_G00[1]	DGC_LU T_G00[0]	80
Parameter 2nd	W	DGC_LU T_G01[7]	DGC_LU T_G01[6]	DGC_LU T_G01[5]	DGC_LU T_G01[4]	DGC_LU T_G01[3]	DGC_LU T_G01[2]	DGC_LU T_G01[1]	DGC_LU T_G01[0]	80
Parameter 3rd	W	DGC_LU T_G02[7]	DGC_LU T_G02[6]	DGC_LU T_G02[5]	DGC_LU T_G02[4]	DGC_LU T_G02[3]	DGC_LU T_G02[2]	DGC_LU T_G02[1]	DGC_LU T_G02[0]	80
Parameter 4th	W	DGC_LU T_G03[7]	DGC_LU T_G03[6]	DGC_LU T_G03[5]	DGC_LU T_G03[4]	DGC_LU T_G03[3]	DGC_LU T_G03[2]	DGC_LU T_G03[1]	DGC_LU T_G03[0]	80
:	:	:	:	:	:	:	:	:	:	
Parameter 10th	W	DGC_LU T_G09[7]	DGC_LU T_G09[6]	DGC_LU T_G09[5]	DGC_LU T_G09[4]	DGC_LU T_G09[3]	DGC_LU T_G09[2]	DGC_LU T_G09[1]	DGC_LU T_G09[0]	80
Parameter 11th	W	DGC_LU T_G10[7]	DGC_LU T_G10[6]	DGC_LU T_G10[5]	DGC_LU T_G10[4]	DGC_LU T_G10[3]	DGC_LU T_G10[2]	DGC_LU T_G10[1]	DGC_LU T_G10[0]	80
Parameter 12th	W	DGC_LU T_G11[7]	DGC_LU T_G11[6]	DGC_LU T_G11[5]	DGC_LU T_G11[4]	DGC_LU T_G11[3]	DGC_LU T_G11[2]	DGC_LU T_G11[1]	DGC_LU T_G11[0]	80
Parameter 13th	W	DGC_LU T_G12[7]	DGC_LU T_G12[6]	DGC_LU T_G12[5]	DGC_LU T_G12[4]	DGC_LU T_G12[3]	DGC_LU T_G12[2]	DGC_LU T_G12[1]	DGC_LU T_G12[0]	80
:	:	:	:	:	:	:	:	:	:	
Parameter 19th	W	DGC_LU T_G18[7]	DGC_LU T_G18[6]	DGC_LU T_G18[5]	DGC_LU T_G18[4]	DGC_LU T_G18[3]	DGC_LU T_G18[2]	DGC_LU T_G18[1]	DGC_LU T_G18[0]	80
Parameter 20th	W	DGC_LU T_G19[7]	DGC_LU T_G19[6]	DGC_LU T_G19[5]	DGC_LU T_G19[4]	DGC_LU T_G19[3]	DGC_LU T_G19[2]	DGC_LU T_G19[1]	DGC_LU T_G19[0]	80
Parameter 21th	W	DGC_LU T_G20[7]	DGC_LU T_G20[6]	DGC_LU T_G20[5]	DGC_LU T_G20[4]	DGC_LU T_G20[3]	DGC_LU T_G20[2]	DGC_LU T_G20[1]	DGC_LU T_G20[0]	80
Parameter 22th	W	DGC_LU T_G21[7]	DGC_LU T_G21[6]	DGC_LU T_G21[5]	DGC_LU T_G21[4]	DGC_LU T_G21[3]	DGC_LU T_G21[2]	DGC_LU T_G21[1]	DGC_LU T_G21[0]	80
:	:	:	:	:	:	:	:	:	:	
Parameter 30th	W	DGC_LU T_G29[7]	DGC_LU T_G29[6]	DGC_LU T_G29[5]	DGC_LU T_G29[4]	DGC_LU T_G29[3]	DGC_LU T_G29[2]	DGC_LU T_G29[1]	DGC_LU T_G29[0]	80
Parameter 31th	W	DGC_LU T_G30[7]	DGC_LU T_G30[6]	DGC_LU T_G30[5]	DGC_LU T_G30[4]	DGC_LU T_G30[3]	DGC_LU T_G30[2]	DGC_LU T_G30[1]	DGC_LU T_G30[0]	80
Parameter 32th	W	DGC_LU T_G31[7]	DGC_LU T_G31[6]	DGC_LU T_G31[5]	DGC_LU T_G31[4]	DGC_LU T_G31[3]	DGC_LU T_G31[2]	DGC_LU T_G31[1]	DGC_LU T_G31[0]	80
Parameter 33th	W	DGC_LU T_G32[7]	DGC_LU T_G32[6]	DGC_LU T_G32[5]	DGC_LU T_G32[4]	DGC_LU T_G32[3]	DGC_LU T_G32[2]	DGC_LU T_G32[1]	DGC_LU T_G32[0]	80
Description	This command is used to set Green color digital gamma. • DGC_LUT_G00 [7:0] ~ DGC_LUT_G32 [7:0] : Green color digital gamma LUT table.									

6.2.72 DGC_B (CFh)

CF H	DGC_B									
Command	R/W	D7	D6	D5	D4	D3	D2	D1	D0	HEX
Command	W	1	1	0	0	1	1	1	1	CF
Parameter 1st	W	DGC_LU T_B00[7]	DGC_LU T_B00[6]	DGC_LU T_B00[5]	DGC_LU T_B00[4]	DGC_LU T_B00[3]	DGC_LU T_B00[2]	DGC_LU T_B00[1]	DGC_LU T_B00[0]	80
Parameter 2nd	W	DGC_LU T_B01[7]	DGC_LU T_B01[6]	DGC_LU T_B01[5]	DGC_LU T_B01[4]	DGC_LU T_B01[3]	DGC_LU T_B01[2]	DGC_LU T_B01[1]	DGC_LU T_B01[0]	80
Parameter 3rd	W	DGC_LU T_B02[7]	DGC_LU T_B02[6]	DGC_LU T_B02[5]	DGC_LU T_B02[4]	DGC_LU T_B02[3]	DGC_LU T_B02[2]	DGC_LU T_B02[1]	DGC_LU T_B02[0]	80
Parameter 4th	W	DGC_LU T_B03[7]	DGC_LU T_B03[6]	DGC_LU T_B03[5]	DGC_LU T_B03[4]	DGC_LU T_B03[3]	DGC_LU T_B03[2]	DGC_LU T_B03[1]	DGC_LU T_B03[0]	80
:	:	:	:	:	:	:	:	:	:	:
Parameter 10th	W	DGC_LU T_B09[7]	DGC_LU T_B09[6]	DGC_LU T_B09[5]	DGC_LU T_B09[4]	DGC_LU T_B09[3]	DGC_LU T_B09[2]	DGC_LU T_B09[1]	DGC_LU T_B09[0]	80
Parameter 11th	W	DGC_LU T_B10[7]	DGC_LU T_B10[6]	DGC_LU T_B10[5]	DGC_LU T_B10[4]	DGC_LU T_B10[3]	DGC_LU T_B10[2]	DGC_LU T_B10[1]	DGC_LU T_B10[0]	80
Parameter 12th	W	DGC_LU T_B11[7]	DGC_LU T_B11[6]	DGC_LU T_B11[5]	DGC_LU T_B11[4]	DGC_LU T_B11[3]	DGC_LU T_B11[2]	DGC_LU T_B11[1]	DGC_LU T_B11[0]	80
Parameter 13th	:W	DGC_LU T_B12[7]	DGC_LU T_B12[6]	DGC_LU T_B12[5]	DGC_LU T_B12[4]	DGC_LU T_B12[3]	DGC_LU T_B12[2]	DGC_LU T_B12[1]	DGC_LU T_B12[0]	80
:	:	:	:	:	:	:	:	:	:	:
Parameter 19th	W	DGC_LU T_B18[7]	DGC_LU T_B18[6]	DGC_LU T_B18[5]	DGC_LU T_B18[4]	DGC_LU T_B18[3]	DGC_LU T_B18[2]	DGC_LU T_B18[1]	DGC_LU T_B18[0]	80
Parameter 20th	W	DGC_LU T_B19[7]	DGC_LU T_B19[6]	DGC_LU T_B19[5]	DGC_LU T_B19[4]	DGC_LU T_B19[3]	DGC_LU T_B19[2]	DGC_LU T_B19[1]	DGC_LU T_B19[0]	80
Parameter 21th	W	DGC_LU T_B20[7]	DGC_LU T_B20[6]	DGC_LU T_B20[5]	DGC_LU T_B20[4]	DGC_LU T_B20[3]	DGC_LU T_B20[2]	DGC_LU T_B20[1]	DGC_LU T_B20[0]	80
Parameter 22th	W	DGC_LU T_B21[7]	DGC_LU T_B21[6]	DGC_LU T_B21[5]	DGC_LU T_B21[4]	DGC_LU T_B21[3]	DGC_LU T_B21[2]	DGC_LU T_B21[1]	DGC_LU T_B21[0]	80
:	:	:	:	:	:	:	:	:	:	:
Parameter 30th	W	DGC_LU T_B29[7]	DGC_LU T_B29[6]	DGC_LU T_B29[5]	DGC_LU T_B29[4]	DGC_LU T_B29[3]	DGC_LU T_B29[2]	DGC_LU T_B29[1]	DGC_LU T_B29[0]	80
Parameter 31th	W	DGC_LU T_B30[7]	DGC_LU T_B30[6]	DGC_LU T_B30[5]	DGC_LU T_B30[4]	DGC_LU T_B30[3]	DGC_LU T_B30[2]	DGC_LU T_B30[1]	DGC_LU T_B30[0]	80
Parameter 32th	W	DGC_LU T_B31[7]	DGC_LU T_B31[6]	DGC_LU T_B31[5]	DGC_LU T_B31[4]	DGC_LU T_B31[3]	DGC_LU T_B31[2]	DGC_LU T_B31[1]	DGC_LU T_B31[0]	80
Parameter 33th	W	DGC_LU T_B32[7]	DGC_LU T_B32[6]	DGC_LU T_B32[5]	DGC_LU T_B32[4]	DGC_LU T_B32[3]	DGC_LU T_B32[2]	DGC_LU T_B32[1]	DGC_LU T_B32[0]	80
Description	This command is used to set Blue color digital gamma. • DGC_LUT_B00 [7:0] ~ DGC_LUT_B32 [7:0] : Blue color digital gamma LUT table.									

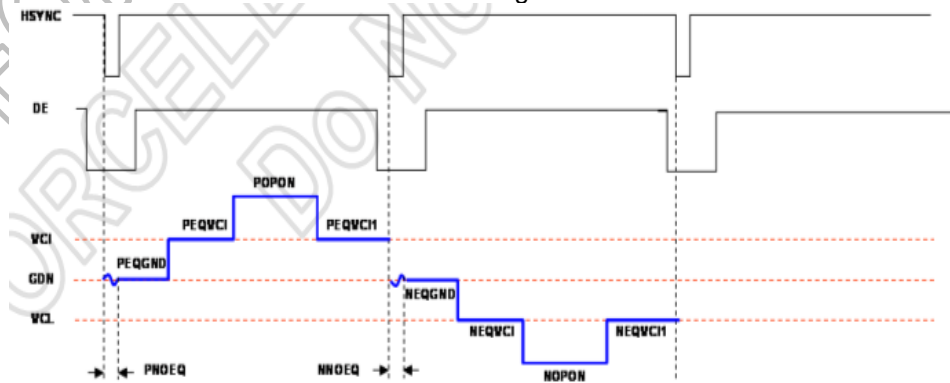
6.2.73 SETGAMMA (E0h)

E0 H	SETGAMMA									
	R/W	D7	D6	D5	D4	D3	D2	D1	D0	HEX
Command	W	1	1	1	0	0	0	0	0	E0
Parameter 1st	R/W	x	x	PVR0[5]	PVR0[4]	PVR0[3]	PVR0[2]	PVR0[1]	PVR0[0]	00
Parameter 2nd	R/W	x	x	PVR1[5]	PVR1[4]	PVR1[3]	PVR1[2]	PVR1[1]	PVR1[0]	11
Parameter 3rd	R/W	x	x	PVR2[5]	PVR2[4]	PVR2[3]	PVR2[2]	PVR2[1]	PVR2[0]	17
Parameter 4th	R/W	x	x	PVR3[5]	PVR3[4]	PVR3[3]	PVR3[2]	PVR3[1]	PVR3[0]	2C
Parameter 5th	R/W	x	x	PVR4[5]	PVR4[4]	PVR4[3]	PVR4[2]	PVR4[1]	PVR4[0]	32
Parameter 6th	R/W	x	x	PVR5[5]	PVR5[4]	PVR5[3]	PVR5[2]	PVR5[1]	PVR5[0]	3F
Parameter 7th	R/W	x	PPR0[6]	PPR0[5]	PPR0[4]	PPR0[3]	PPR0[2]	PPR0[1]	PPR0[0]	49
Parameter 8th	R/W	x	PPR1[6]	PPR1[5]	PPR1[4]	PPR1[3]	PPR1[2]	PPR1[1]	PPR1[0]	3E
Parameter 9th	R/W	x	x	x	PPK0[4]	PPK0[3]	PPK0[2]	PPK0[1]	PPK0[0]	07
Parameter 10th	R/W	x	x	x	PPK1[4]	PPK1[3]	PPK1[2]	PPK1[1]	PPK1[0]	0D
Parameter 11th	R/W	x	x	x	PPK2[4]	PPK2[3]	PPK2[2]	PPK2[1]	PPK2[0]	0E
Parameter 12th	R/W	x	x	x	PPK3[4]	PPK3[3]	PPK3[2]	PPK3[1]	PPK3[0]	12
Parameter 13th	R/W	x	x	x	PPK4[4]	PPK4[3]	PPK4[2]	PPK4[1]	PPK4[0]	13
Parameter 14th	R/W	x	x	x	PPK5[4]	PPK5[3]	PPK5[2]	PPK5[1]	PPK5[0]	11
Parameter 15th	R/W	x	x	x	PPK6[4]	PPK6[3]	PPK6[2]	PPK6[1]	PPK6[0]	13
Parameter 16th	R/W	x	x	x	PPK7[4]	PPK7[3]	PPK7[2]	PPK7[1]	PPK7[0]	10
Parameter 17th	R/W	x	x	x	PPK8[4]	PPK8[3]	PPK8[2]	PPK8[1]	PPK8[0]	17
Parameter 18th	R/W	x	x	NVR0[5]	NVR0[4]	NVR0[3]	NVR0[2]	NVR0[1]	NVR0[0]	00
Parameter 19th	R/W	x	x	NVR1[5]	NVR1[4]	NVR1[3]	NVR1[2]	NVR1[1]	NVR1[0]	11
Parameter 20th	R/W	x	x	NVR2[5]	NVR2[4]	NVR2[3]	NVR2[2]	NVR2[1]	NVR2[0]	17
Parameter 21st	R/W	x	x	NVR3[5]	NVR3[4]	NVR3[3]	NVR3[2]	NVR3[1]	NVR3[0]	2C
Parameter 22nd	R/W	x	x	NVR4[5]	NVR4[4]	NVR4[3]	NVR4[2]	NVR4[1]	NVR4[0]	32
Parameter 23rd	R/W	x	x	NVR5[5]	NVR5[4]	NVR5[3]	NVR5[2]	NVR5[1]	NVR5[0]	3F
Parameter 24th	R/W	x	NPR0[6]	NPR0[5]	NPR0[4]	NPR0[3]	NPR0[2]	NPR0[1]	NPR0[0]	49
Parameter 25th	R/W	x	NPR1[6]	NPR1[5]	NPR1[4]	NPR1[3]	NPR1[2]	NPR1[1]	NPR1[0]	3E
Parameter 26th	R/W	x	x	x	NPK0[4]	NPK0[3]	NPK0[2]	NPK0[1]	NPK0[0]	07
Parameter 27th	R/W	x	x	x	NPK1[4]	NPK1[3]	NPK1[2]	NPK1[1]	NPK1[0]	0D
Parameter 28th	R/W	x	x	x	NPK2[4]	NPK2[3]	NPK2[2]	NPK2[1]	NPK2[0]	0E
Parameter 29th	R/W	x	x	x	NPK3[4]	NPK3[3]	NPK3[2]	NPK3[1]	NPK3[0]	12
Parameter 30th	R/W	x	x	x	NPK4[4]	NPK4[3]	NPK4[2]	NPK4[1]	NPK4[0]	13
Parameter 31st	R/W	x	x	x	NPK5[4]	NPK5[3]	NPK5[2]	NPK5[1]	NPK5[0]	11
Parameter 32nd	R/W	x	x	x	NPK6[4]	NPK6[3]	NPK6[2]	NPK6[1]	NPK6[0]	13
Parameter 33rd	R/W	x	x	x	NPK7[4]	NPK7[3]	NPK7[2]	NPK7[1]	NPK7[0]	10
Parameter 34th	R/W	x	x	x	NPK8[4]	NPK8[3]	NPK8[2]	NPK8[1]	NPK8[0]	17
Description	This command is used to set the gray scale voltage to adjust the gamma characteristics of the TFT panel.									

6.2.74 SETEQ (E3h)

E3 H	SETEQ									HEX
Command	R/W	D7	D6	D5	D4	D3	D2	D1	D0	HEX
Command	W	1	1	1	0	0	0	1	1	E3
Parameter 1st	R/W	PNOEQ[7]	PNOEQ[6]	PNOEQ[5]	PNOEQ[4]	PNOEQ[3]	PNOEQ[2]	PNOEQ[1]	PNOEQ[0]	00
Parameter 2nd	R/W	NNOEQ[7]	NNOEQ[6]	PEQEQ[5]	NNOEQ[4]	NNOEQ[3]	NNOEQ[2]	NNOEQ[1]	NNOEQ[0]	00
Parameter 3rd	R/W	PEQGND[7]	PEQGND[6]	PEQGND[5]	PEQGND[4]	PEQGND[3]	PEQGND[2]	PEQGND[1]	PEQGND[0]	03
Parameter 4th	R/W	NEQGN D[7]	NEQGN D[6]	NEQGN D[5]	NEQGN D[4]	NEQGN D[3]	NEQGN D[2]	NEQGN D[1]	NEQGN D[0]	03
Parameter 5th	R/W	PEQVCI[7]	PEQVCI[6]	PEQVCI[5]	PEQVCI[4]	PEQVCI[3]	PEQVCI[2]	PEQVCI[1]	PEQVCI[0]	03
Parameter 6th	R/W	NEQVCI[7]	NEQVCI[6]	NEQVCI[5]	NEQVCI[4]	NEQVCI[3]	NEQVCI[2]	NEQVCI[1]	NEQVCI[0]	03
Parameter 7th	R/W	PEQVCI1[7]	PEQVCI1[6]	PEQVCI1[5]	PEQVCI1[4]	PEQVCI1[3]	PEQVCI1[2]	PEQVCI1[1]	PEQVCI1[0]	03
Parameter 8th	R/W	NEQVCI1[7]	NEQVCI1[6]	NEQVCI1[5]	NEQVCI1[4]	NEQVCI1[3]	NEQVCI1[2]	NEQVCI1[1]	NEQVCI1[0]	03
Parameter 9th	R/W	VCOM_P ULLGND OFF[7]	VCOM_P ULLGND OFF[6]	VCOM_P ULLGND OFF[5]	VCOM_P ULLGND OFF[4]	VCOM_P ULLGND OFF[3]	VCOM_P ULLGND OFF[2]	VCOM_P ULLGND OFF[1]	VCOM_P ULLGND OFF[0]	00
Parameter 10th	R/W	VCOM_P ULLGND ON[7]	VCOM_P ULLGND ON[6]	VCOM_P ULLGND ON[5]	VCOM_P ULLGND ON[4]	VCOM_P ULLGND ON[3]	VCOM_P ULLGND ON[2]	VCOM_P ULLGND ON[1]	VCOM_P ULLGND ON[0]	00
Parameter 11th	R/W	VCOMID LE_ON[7]	VCOMID LE_ON[6]	VCOMID LE_ON[5]	VCOMID LE_ON[4]	VCOMID LE_ON[3]	VCOMID LE_ON[2]	VCOMID LE_ON[1]	VCOMID LE_ON[0]	FF
Parameter 12th	R/W	EACH_OP ON_EN	EACH_VC I_EN	EACH_GN D_EN						84
Parameter 13th	R/W	ESD_DET _DATA_ WHITE	ESD_WH I TE_EN	ESD_OPT P[1]	ESD_OPT _P[0]	ESD_OPT _G[1]	ESD_OPT _G[0]			C0
Parameter 14th	R/W				SLPIN_OP TION	VEDIO_N O_CHECK _EN	ESD_WH I TE_GND_ EN	ESD_DET _TIME_SE L[1]	ESD_DET _TIME_SE L[0]	14

This command is used to set EQ related register.



Description

• FL7703NI do source EQ starting from HSYNC.

- **PNOEQ[7:0]**: Specify the temporal spacing between HSYNC and PEQGND.
- **NNOEQ[7:0]**: Specify the temporal spacing between HSYNC and NEQGND.
- **PEQGND[7:0]**: Specify the source EQ GND period when Source up to positive voltage.
- **NEQGND[7:0]**: Specify the source EQ GND period when Source down to negative voltage.
- **PEQVCI[7:0]**: Specify the source EQ VCI period when Source up to positive voltage.
- **NEQVCI[7:0]**: Specify the source EQ VCI period when Source down to negative voltage.
- **PEQVCI1[7:0]**: Specify the temporal period of PEQVCI1.
- **NEQVCI1[7:0]**: Specify the temporal period of NEQVCI1.



Description	<table border="1"> <tr> <td>PNOEQ[7:0]</td> <td rowspan="10" style="text-align: center; vertical-align: middle;">EQ Period</td> </tr> <tr> <td>NNOEQ[7:0]</td> </tr> <tr> <td>PEQGND[7:0]</td> </tr> <tr> <td>NEQGND[7:0]</td> </tr> <tr> <td>PEQVCI[7:0]</td> </tr> <tr> <td>NEQVCI[7:0]</td> </tr> <tr> <td>PEQVCI1[7:0]</td> </tr> <tr> <td>NEQVCI1[7:0]</td> </tr> <tr> <td>0</td> <td>0*4/Fosc</td> </tr> <tr> <td>1</td> <td>0*4/Fosc</td> </tr> <tr> <td>2</td> <td>2*4/Fosc</td> </tr> <tr> <td>3</td> <td>3*4/Fosc</td> </tr> <tr> <td>:</td> <td>:</td> </tr> <tr> <td>FD</td> <td>253*4/Fosc</td> </tr> <tr> <td>FE</td> <td>254*4/Fosc</td> </tr> <tr> <td>FF</td> <td>255*4/Fosc</td> </tr> </table>	PNOEQ[7:0]	EQ Period	NNOEQ[7:0]	PEQGND[7:0]	NEQGND[7:0]	PEQVCI[7:0]	NEQVCI[7:0]	PEQVCI1[7:0]	NEQVCI1[7:0]	0	0*4/Fosc	1	0*4/Fosc	2	2*4/Fosc	3	3*4/Fosc	:	:	FD	253*4/Fosc	FE	254*4/Fosc	FF	255*4/Fosc
	PNOEQ[7:0]	EQ Period																								
NNOEQ[7:0]																										
PEQGND[7:0]																										
NEQGND[7:0]																										
PEQVCI[7:0]																										
NEQVCI[7:0]																										
PEQVCI1[7:0]																										
NEQVCI1[7:0]																										
0	0*4/Fosc																									
1	0*4/Fosc																									
2	2*4/Fosc																									
3	3*4/Fosc																									
:	:																									
FD	253*4/Fosc																									
FE	254*4/Fosc																									
FF	255*4/Fosc																									
	<ul style="list-style-type: none"> • ESD_DET_DATA_WHITE: Select white or black pattern to protect GOA glass. • ESD_WHITE_EN: Enable ESD detection function to protect GOA glass. <ul style="list-style-type: none"> - At Sleep-Out State, IC automatically displaying white or black pattern when MIPI-DSI is interrupted or not sent. • SLPIN_OPTION <ul style="list-style-type: none"> - 0: Need VSYNC (additional frame) after Sleep-In command to display sleep-in blanking frame then into Sleep-In State. - 1: No Need VSYNC (additional frame) after Sleep-In command to display sleep-in blanking frame then into Sleep-In State. • VEDIO_NO_CHECK_EN: Enable video function detection. <ul style="list-style-type: none"> - 0: Enable vedio function detection. - 1: Disable vedio function detection, continually displaying white or black pattern after sleep-out blanking frame without detecting if MIPI video comes or not • ESD_WHITE_GND_EN: Enable ESD white pattern scanning voltage pull ground. "0", Disable scanning voltage pull ground. "1", Enable scanning voltage pull ground. • ESD_DET_TIME_SEL[1:0]: ESD detection function period. <table border="1"> <thead> <tr> <th>ESD_TIME_SEL[1:0]</th> <th>Period</th> </tr> </thead> <tbody> <tr> <td>0</td> <td>1 frames</td> </tr> <tr> <td>1</td> <td>2 frames</td> </tr> <tr> <td>2</td> <td>4 frames</td> </tr> <tr> <td>3</td> <td>8 frames</td> </tr> </tbody> </table>	ESD_TIME_SEL[1:0]	Period	0	1 frames	1	2 frames	2	4 frames	3	8 frames															
ESD_TIME_SEL[1:0]	Period																									
0	1 frames																									
1	2 frames																									
2	4 frames																									
3	8 frames																									



6.2.75 SETCOLOREN (E4h)

E4 H	SETCOLOREN									
	R/W	D7	D6	D5	D4	D3	D2	D1	D0	HEX
Command	W	1	1	1	0	0	1	0	0	E4
Parameter 1st	R/W	x	x	x	x	x	x	x	CE_MAS K	01
Description	<p>This command is to set color enhancement mode.</p> <ul style="list-style-type: none"> • CE_MASK: Enable / Disable the color enhanced mask function. <ul style="list-style-type: none"> - 0: Disable - 1: Enable 									

FORCELEAD Confidential
Do Not Copy



6.2.76 SETCOLOREN (E5h)

E5 H	SETCOLOREN																			
	R/W	D7	D6	D5	D4	D3	D2	D1	D0	HEX										
Command	W	1	1	1	0	0	1	0	1	E5										
Parameter 1st	R/W	SP_LEV EL[1]	SP_LEV EL[0]	CE_EN	x	x	x	x	x	00										
Parameter 2nd	R/W	x	x	x	x	x	x	x	x	No use										
Parameter 3rd	R/W	x	x	x	Blue_3[1 2]	Blue_3[1 1]	Blue_3[1 0]	Blue_3[9]	Blue_3[8]	08										
Parameter 4th	R/W	Blue_3[7]	Blue_3[6]	Blue_3[5]	Blue_3[4]	Blue_3[3]	Blue_3[2]	Blue_3[1]	Blue_3[0]	32										
Parameter 5th	R/W	x	x	x	Blue_2[1 2]	Blue_2[1 1]	Blue_2[1 0]	Blue_2[9]	Blue_2[8]	1C										
Parameter 6th	R/W	Blue_2[7]	Blue_2[6]	Blue_2[5]	Blue_2[4]	Blue_2[3]	Blue_2[2]	Blue_2[1]	Blue_2[0]	71										
Parameter 7th	R/W	x	x	x	Blue_1[1 2]	Blue_1[1 1]	Blue_1[1 0]	Blue_1[9]	Blue_1[8]	1F										
Parameter 8th	R/W	Blue_1[7]	Blue_1[6]	Blue_1[5]	Blue_1[4]	Blue_1[3]	Blue_1[2]	Blue_1[1]	Blue_1[0]	90										
Parameter 9th	R/W	x	x	x	Green_3[12]	Green_3[11]	Green_3[10]	Green_3[9]	Green_3[8]	1E										
Parameter 10th	R/W	Green_3[7]	Green_3[6]	Green_3[5]	Green_3[4]	Green_3[3]	Green_3[2]	Green_3[1]	Green_3[0]	CD										
Parameter 11th	R/W	x	x	x	Green_2[12]	Green_2[11]	Green_2[10]	Green_2[9]	Green_2[8]	07										
Parameter 12th	R/W	Green_2[7]	Green_2[6]	Green_2[5]	Green_2[4]	Green_2[3]	Green_2[2]	Green_2[1]	Green_2[0]	4C										
Parameter 13th	R/W	x	x	x	Green_1[12]	Green_1[11]	Green_1[10]	Green_1[9]	Green_1[8]	1E										
Parameter 14th	R/W	Green_1[7]	Green_1[6]	Green_1[5]	Green_1[4]	Green_1[3]	Green_1[2]	Green_1[1]	Green_1[0]	06										
Parameter 15th	R/W	x	x	x	Red_3[12]	Red_3[11]	Red_3[10]	Red_3[9]	Red_3[8]	1F										
Parameter 16th	R/W	Red_3[7]	Red_3[6]	Red_3[5]	Red_3[4]	Red_3[3]	Red_3[2]	Red_3[1]	Red_3[0]	66										
Parameter 17th	R/W	x	x	x	Red_2[12]	Red_2[11]	Red_2[10]	Red_2[9]	Red_2[8]	1E										
Parameter 18th	R/W	Red_2[7]	Red_2[6]	Red_2[5]	Red_2[4]	Red_2[3]	Red_2[2]	Red_2[1]	Red_2[0]	2A										
Parameter 19th	R/W	x	x	x	Red_1[12]	Red_1[11]	Red_1[10]	Red_1[9]	Red_1[8]	06										
Parameter 20th	R/W	Red_1[7]	Red_1[6]	Red_1[5]	Red_1[4]	Red_1[3]	Red_1[2]	Red_1[1]	Red_1[0]	70										
Description	<p>This command is to set color enhancement mode.</p> <ul style="list-style-type: none"> • SP_LEVEL[1:0]: Specify sharpness level. <table border="1"> <thead> <tr> <th>SP_LEVEL[1:0]</th> <th>Sharpness Level</th> </tr> </thead> <tbody> <tr> <td>0</td> <td>No sharpness</td> </tr> <tr> <td>1</td> <td>Small</td> </tr> <tr> <td>2</td> <td>Medium</td> </tr> <tr> <td>3</td> <td>Large</td> </tr> </tbody> </table> • CE_EN: Enable the color enhanced function. 										SP_LEVEL[1:0]	Sharpness Level	0	No sharpness	1	Small	2	Medium	3	Large
SP_LEVEL[1:0]	Sharpness Level																			
0	No sharpness																			
1	Small																			
2	Medium																			
3	Large																			

6.2.77 SETGIP1 (E9h)

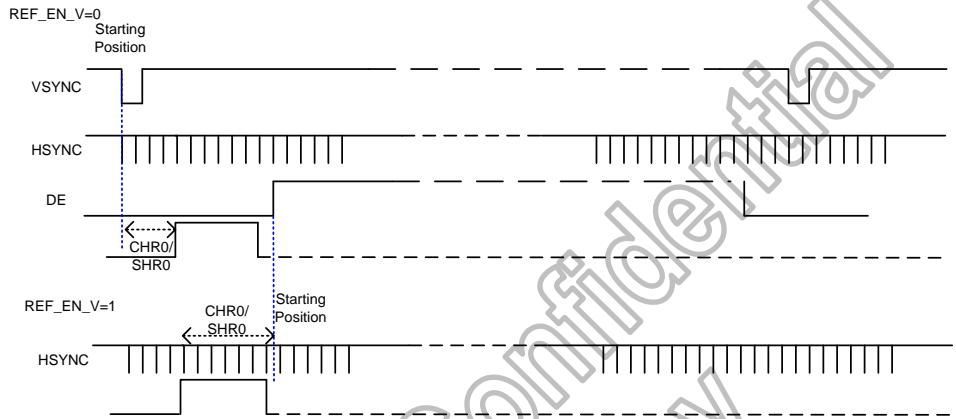
E9 H	SETGIP1									
	R/W	D7	D6	D5	D4	D3	D2	D1	D0	HEX
Command	W	1	1	1	0	1	0	0	1	E9
Parameter 1st	R/W	REF_EN	BLOCK_DATA_EN			PANEL_SEL[3]	PANEL_SEL[2]	PANEL_SEL[1]	PANEL_SEL[0]	44
Parameter 2nd	R/W				SHR0[12]	SHR0[11]	SHR0[10]	SHR0[9]	SHR0[8]	00
Parameter 3rd	R/W	SHR0[7]	SHR0[6]	SHR0[5]	SHR0[4]	SHR0[3]	SHR0[2]	SHR0[1]	SHR0[0]	00
Parameter 4th	R/W			x	SHR1[12]	SHR1[11]	SHR1[10]	SHR1[9]	SHR1[8]	00
Parameter 5th	R/W	SHR1[7]	SHR1[6]	SHR1[5]	SHR1[4]	SHR1[3]	SHR1[2]	SHR1[1]	SHR1[0]	00
Parameter 6th	R/W	SPON[7]	SPON[6]	SPON[5]	SPON[4]	SPON[3]	SPON[2]	SPON[1]	SPON[0]	00
Parameter 7th	R/W	SPOFF[7]	SPOFF[6]	SPOFF[5]	SPOFF[4]	SPOFF[3]	SPOFF[2]	SPOFF[1]	SPOFF[0]	00
Parameter 8th	R/W	SHR0_1[3]	SHR0_1[2]	SHR0_1[1]	SHR0_1[0]	SHR0_2[3]	SHR0_2[2]	SHR0_2[1]	SHR0_2[0]	00
Parameter 9th	R/W	SHR0_3[3]	SHR0_3[2]	SHR0_3[1]	SHR0_3[0]	SHR1_1[3]	SHR1_1[2]	SHR1_1[1]	SHR1_1[0]	00
Parameter 10th	R/W	SHR1_2[3]	SHR1_2[2]	SHR1_2[1]	SHR1_2[0]	SHR1_3[3]	SHR1_3[2]	SHR1_3[1]	SHR1_3[0]	00
Parameter 11th	R/W	SHP[3]	SHP[2]	SHP[1]	SHP[0]	SCP[3]	SCP[2]	SCP[1]	SCP[0]	00
Parameter 12th	R/W	CHR [7]	CHR [6]	CHR [5]	CHR [4]	CHR [3]	CHR [2]	CHR [1]	CHR [0]	00
Parameter 13th	R/W	CON [7]	CON [6]	CON [5]	CON [4]	CON [3]	CON [2]	CON [1]	CON [0]	02
Parameter 14th	R/W	COF [7]	COF [6]	COF [5]	COF [4]	COF [3]	COF [2]	COF [1]	COF [0]	02
Parameter 15th	R/W	CHP[3]	CHP[2]	CHP[1]	CHP[0]	CCP[3]	CCP[2]	CCP[1]	CCP[0]	00
Parameter 16th	R/W	USER_G IP_GATE [7]	USER_G IP_GATE [6]	USER_G IP_GATE [5]	USER_G IP_GATE [4]	USER_G IP_GATE [3]	USER_G IP_GATE [2]	USER_G IP_GATE [1]	USER_G IP_GATE [0]	00
Parameter 17th	R/W	x	x	CGTS_L[21]	CGTS_L[20]	CGTS_L[19]	CGTS_L[18]	CGTS_L[17]	CGTS_L[16]	00
Parameter 18th	R/W	CGTS_L[15]	CGTS_L[14]	CGTS_L[13]	CGTS_L[12]	CGTS_L[11]	CGTS_L[10]	CGTS_L[9]	CGTS_L[8]	00
Parameter 19th	R/W	CGTS_L[7]	CGTS_L[6]	CGTS_L[5]	CGTS_L[4]	CGTS_L[3]	CGTS_L[2]	CGTS_L[1]	CGTS_L[0]	00
Parameter 20th	R/W	x	x	CGTS_IN V_L[21]	CGTS_IN V_L[20]	CGTS_IN V_L[19]	CGTS_IN V_L[18]	CGTS_IN V_L[17]	CGTS_IN V_L[16]	00
Parameter 21st	R/W	CGTS_IN V_L[15]	CGTS_IN V_L[14]	CGTS_IN V_L[13]	CGTS_IN V_L[12]	CGTS_IN V_L[11]	CGTS_IN V_L[10]	CGTS_IN V_L[9]	CGTS_IN V_L[8]	00
Parameter 22nd	R/W	CGTS_IN V_L[7]	CGTS_IN V_L[6]	CGTS_IN V_L[5]	CGTS_IN V_L[4]	CGTS_IN V_L[3]	CGTS_IN V_L[2]	CGTS_IN V_L[1]	CGTS_IN V_L[0]	00
Parameter 23rd	R/W	x	x	CGTS_R[21]	CGTS_R[20]	CGTS_R[19]	CGTS_R[18]	CGTS_R[17]	CGTS_R[16]	00
Parameter 24th	R/W	CGTS_R[15]	CGTS_R[14]	CGTS_R[13]	CGTS_R[12]	CGTS_R[11]	CGTS_R[10]	CGTS_R[9]	CGTS_R[8]	00
Parameter 25th	R/W	CGTS_R[7]	CGTS_R[6]	CGTS_R[5]	CGTS_R[4]	CGTS_R[3]	CGTS_R[2]	CGTS_R[1]	CGTS_R[0]	00
Parameter 26th	R/W	x	x	CGTS_IN V_R[21]	CGTS_IN V_R[20]	CGTS_IN V_R[19]	CGTS_IN V_R[18]	CGTS_IN V_R[17]	CGTS_IN V_R[16]	00
Parameter 27th	R/W	CGTS_IN V_R[15]	CGTS_IN V_R[14]	CGTS_IN V_R[13]	CGTS_IN V_R[12]	CGTS_IN V_R[11]	CGTS_IN V_R[10]	CGTS_IN V_R[9]	CGTS_IN V_R[8]	00
Parameter 28th	R/W	CGTS_IN V_R[7]	CGTS_IN V_R[6]	CGTS_IN V_R[5]	CGTS_IN V_R[4]	CGTS_IN V_R[3]	CGTS_IN V_R[2]	CGTS_IN V_R[1]	CGTS_IN V_R[0]	00
Parameter 29th	R/W	COS1_L[3]	COS1_L[2]	COS1_L[1]	COS1_L[0]	COS2_L[3]	COS2_L[2]	COS2_L[1]	COS2_L[0]	00
Parameter 30th	R/W	COS3_L[3]	COS3_L[2]	COS3_L[1]	COS3_L[0]	COS4_L[3]	COS4_L[2]	COS4_L[1]	COS4_L[0]	00



Parameter 31st	R/W	COS5_L[3]	COS5_L[2]	COS5_L[1]	COS5_L[0]	COS6_L[3]	COS6_L[2]	COS6_L[1]	COS6_L[0]	00
:	:	:	:	:	:	:	:	:	:	
Parameter 37th	R/W	COS17_L[3]	COS17_L[2]	COS17_L[1]	COS17_L[0]	COS18_L[3]	COS18_L[2]	COS18_L[1]	COS18_L[0]	00
Parameter 38th	R/W	COS19_L[3]	COS19_L[2]	COS19_L[1]	COS19_L[0]	COS20_L[3]	COS20_L[2]	COS20_L[1]	COS20_L[0]	00
Parameter 39th	R/W	COS21_L[3]	COS21_L[2]	COS21_L[1]	COS21_L[0]	COS22_L[3]	COS22_L[2]	COS22_L[1]	COS22_L[0]	00
Parameter 40th	R/W	COS1_R[3]	COS1_R[2]	COS1_R[1]	COS1_R[0]	COS2_R[3]	COS2_R[2]	COS2_R[1]	COS2_R[0]	00
Parameter 41st	R/W	COS3_R[3]	COS3_R[2]	COS3_R[1]	COS3_R[0]	COS4_R[3]	COS4_R[2]	COS4_R[1]	COS4_R[0]	00
Parameter 42nd	R/W	COS5_R[3]	COS5_R[2]	COS5_R[1]	COS5_R[0]	COS6_R[3]	COS6_R[2]	COS6_R[1]	COS6_R[0]	00
:	:	:	:	:	:	:	:	:	:	
Parameter 48th	R/W	COS17_R[3]	COS17_R[2]	COS17_R[1]	COS17_R[0]	COS18_R[3]	COS18_R[2]	COS18_R[1]	COS18_R[0]	00
Parameter 49th	R/W	COS19_R[3]	COS19_R[2]	COS19_R[1]	COS19_R[0]	COS20_R[3]	COS20_R[2]	COS20_R[1]	COS20_R[0]	00
Parameter 50th	R/W	COS21_R[3]	COS21_R[2]	COS21_R[1]	COS21_R[0]	COS22_R[3]	COS22_R[2]	COS22_R[1]	COS22_R[0]	00
Parameter 51st	R/W	TCON_OPT[7]	TCON_OPT[6]	TCON_OPT[5]	TCON_OPT[4]	TCON_OPT[3]	TCON_OPT[2]	TCON_OPT[1]	TCON_OPT[0]	00
Parameter 52nd	R/W	x	GIP_OPT[22]	GIP_OPT[21]	GIP_OPT[20]	GIP_OPT[19]	GIP_OPT[18]	GIP_OPT[17]	GIP_OPT[16]	00
Parameter 53rd	R/W	GIP_OPT[15]	GIP_OPT[14]	GIP_OPT[13]	GIP_OPT[12]	GIP_OPT[11]	GIP_OPT[10]	GIP_OPT[9]	GIP_OPT[8]	00
Parameter 54th	R/W	GIP_OPT[7]	GIP_OPT[6]	GIP_OPT[5]	GIP_OPT[4]	GIP_OPT[3]	GIP_OPT[2]	GIP_OPT[1]	GIP_OPT[0]	00
Parameter 55th	R/W	CHR2[7]	CHR2[6]	CHR2[5]	CHR2[4]	CHR2[3]	CHR2[2]	CHR2[1]	CHR2[0]	00
Parameter 56th	R/W	CON2[7]	CON2[6]	CON2[5]	CON2[4]	CON2[3]	CON2[2]	CON2[1]	CON2[0]	02
Parameter 57th	R/W	COFF2[7]	COFF2[6]	COFF2[5]	COFF2[4]	COFF2[3]	COFF2[2]	COFF2[1]	COFF2[0]	02
Parameter 58th	R/W	CHP2[3]	CHP2[2]	CHP2[1]	CHP2[0]	CCP2[3]	CCP2[2]	CCP2[1]	CCP2[0]	00
Parameter 59th	R/W	x	x	CKS[21]	CKS[20]	CKS[19]	CKS[18]	CKS[17]	CKS[16]	00
Parameter 60th	R/W	CKS[15]	CKS[14]	CKS[13]	CKS[12]	CKS[11]	CKS[10]	CKS[9]	CKS[8]	00
Parameter 61st	R/W	CKS[7]	CKS[6]	CKS[5]	CKS[4]	CKS[3]	CKS[2]	CKS[1]	CKS[0]	00
Parameter 62nd	R/W	COFF[9]	COFF[8]	CON[9]	CON[8]	SPOFF[9]	SPOFF[8]	SPON[9]	SPON[8]	00
Parameter 63rd	R/W	COFF2[9]	COFF[8]	CON2[9]	CON2[8]	PANEL_SEL_INI[3]	PANEL_SEL_INI[2]	PANEL_SEL_INI[1]	PANEL_SEL_INI[0]	00



This command is to set forward GIP timing.



• REF_EN:

- 0: SHR0, SHR1, CHR, CHR2 refer to Internal VSYNC
- 1: SHR0, SHR1, CHR, CHR2 refer to Internal DE
- © REF_EN=1: SHR0, SHR1, CHR, CHR2 = MSB Sign Bit.

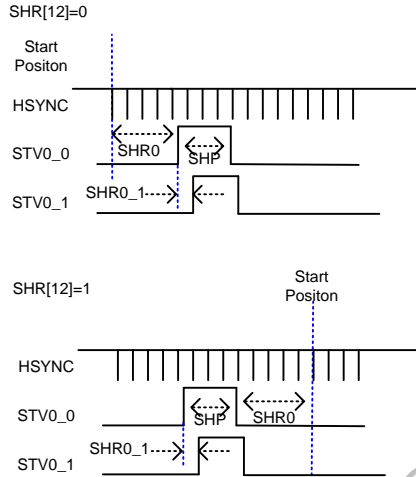
• PANEL_SEL[3:0]: Specify GIP signal at abnormal power off state.

Panel_sel[3:0]	GIP signal State
1	GND
2	VGH2 (VSP)
4	VGL
8	VGH

• PANEL_SEL_INI[3:0]: Specify GIP signal at initial state.

PANEL_SEL_INI	GIP signal State
1	VGH2
2	VGH
4	VGL
8	GND

Description



- **SHR0[12:0]**: Specify the starting position of GIP STV group 0 (STV0_0).
- **SHR1[12:0]**: Specify the starting position of GIP STV group 1 (STV1_0).

SHR0[12:0] SHR1[12:0] (Hex)	Starting Position
0	0 HSYNC
1	1 HSYNC
2	2 HSYNC
:	:
FFF	4095 HSYNC

- **SPON[9:0]**: Specify the distance of STV rising edge and HYSNC.
- **SPOFF[9:0]**: Specify the distance of STV falling edge and HYSNC.

SPON[9:0] SPOFF[9:0] (Hex)	Distance
0	0*(2/Fosc)
1	1*(2/Fosc)
2	2*(2/Fosc)
:	:
3FF	1023*(2/Fosc)

- **SHR0_1[3:0] / SHR0_2[3:0] / SHR0_3[3:0]**: Specify the STV0_x distance with STV0_0.
- **SHR1_1[3:0] / SHR1_2[3:0] / SHR1_3[3:0]**: Specify the STV1_x distance with STV1_0. (X=1~3)

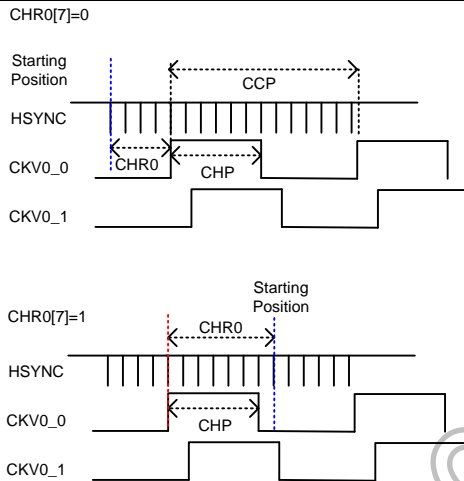
- **SHP[3:0]**: Specify the STV signal high pulse width.

SHP[3:0] (Hex)	Width
0	0 HSYNC
1	1 HSYNC
2	2 HSYNC
:	:
F	16 HSYNC

- **SCP[3:0]**: Specify the total number of STV signal.

SCP[3:0] (Hex)	STV NO.
0	1
1	2
2	3
:	:
F	16

Description



- **CHR[7:0]:** Specify the starting position of GIP CKV group 0 (CKV0_0).
- **CHR2[7:0]:** Specify the starting position of GIP CKV group 1 (CKV1_0).

CHR[7:0] CHR2[7:0] (Hex)	Starting Position
0	0 HSYNC
1	1 HSYNC
2	2 HSYNC
:	:
FF	255 HSYNC

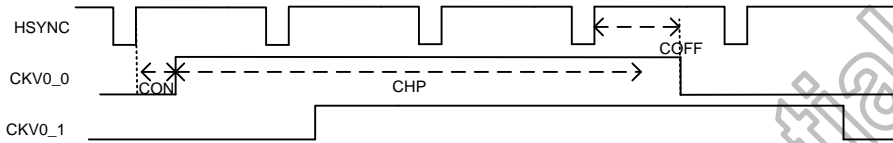
Description

- **CHP[3:0]:** Specify the CKV signal high pulse width.
- **CHP2[3:0]:** Specify the CKV1 signal high pulse width

CHP[3:0] CHP2[3:0] (Hex)	Width
0	1 HSYNC
1	2 HSYNC
2	3 HSYNC
:	:
F	16 HSYNC

- **CCP[3:0]:** Specify the total period cycle of CKV signal.
- **CCP2[3:0]:** Specify the total period cycle of CKV1 signal.

CCP[3:0] CCP2[3:0] (Hex)	CKV Period.
0	1 HSYNC
1	2 HSYNC
2	3 HSYNC
:	:
F	16 HSYNC

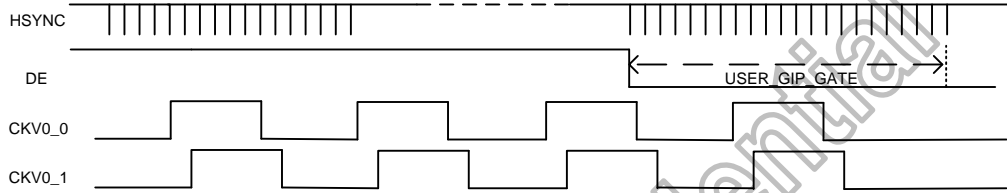


- **CON[9:0]:** Specify the distance of CKV rising edge and HYSNC.
- **COFF[9:0]:** Specify the distance of CKV falling edge and HYSNC.
- **CON2[9:0]:** Specify the distance of CKV1 rising edge and HYSNC.
- **COFF2[9:0]:** Specify the distance of CKV1 falling edge and HYSNC.

CON[9:0] COFF[9:0] CON2[9:0] COFF2[9:0] (Hex)	Distance
0	0*(2/Fosc)
1	1*(2/Fosc)
2	2*(2/Fosc)
:	:
FF	255*(2/Fosc)

Description

- **CGTS_L[21:0]:** Select Left side GIP output pad signal.
 - 1: Output pad assign as STV.
 - 0: Output pad assign as CKV.
- **CGTS_R[21:0]:** Select Right side GIP output pad signal.
 - 1: Output pad assign as STV.
 - 0: Output pad assign as CKV.
- **CGTS_INV_L[21:0]:** Reverse the polarity of Left side GIP output pad signal.
 - 1: Reverse the polarity.
 - 0: Normal polarity.
- **CGTS_INV_R[21:0]:** Reverse the polarity of Right side GIP output pad signal.
 - 1: Reverse the polarity.
 - 0: Normal polarity.



• **USER_GIP_GATE[7:0]**: Specify the extra gate counter at blanking area.

USER_GIP_GATE[7:0] (Hex)	Gate number
0	0
1	1
2	2
:	:
FF	255

• **COSx_L[3:0]**: Specify Left side GIP output pad signal.

• **COSx_R[3:0]**: Specify Right side GIP output pad signal.
(x=1~22)

COS (Hex)	GIP OUTPUT		
	CGTS="1"	CGTS="0"	
		CKS="0"	CKS="1"
0	STV0_0	CKV0_0	CKV1_0
1	STV0_1	CKV0_1	CKV1_1
2	STV0_2	CKV0_2	CKV1_2
3	STV0_3	CKV0_3	CKV1_3
4	STV1_0	CKV0_4	CKV1_4
5	STV1_1	CKV0_5	CKV1_5
6	STV1_2	CKV0_6	CKV1_6
7	STV1_3	CKV0_7	CKV1_7
8	Always Low	Always Low	
9	STV2_0	CKV All On	
A	STV2_1	YS1_Signal	
B	STV2_2	YS2_Signal	
C	STV2_3	CKV All On_2	
D	SMD_RST	YS1_Signal_2	
E	Display Area Line Ext	YS2_Signal_2	
F	Always High	Always High	

• **GIP_OPT[22:0]**: Specify GIP optional setting for GIP signal.

Description



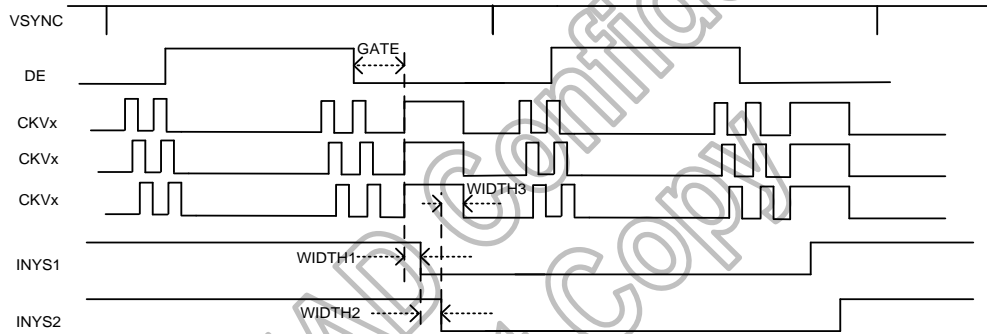
6.2.78 SETGIP2 (EAH)

EA H	SETGIP2									
	R/W	D7	D6	D5	D4	D3	D2	D1	D0	HEX
Command	W	1	1	1	0	1	0	1	0	EA
Parameter 1st	R/W	YS2_SE L[1]	YS2_SEL [0]	YS1_SEL [1]	YS1_SEL [0]	YS2_XO R	YS1_XO R	YS_FLG EN	ALL_ON EN	94
Parameter 2nd	R/W	GATE[7]	GATE[6]	GATE[5]	GATE[4]	GATE[3]	GATE[2]	GATE[1]	GATE[0]	00
Parameter 3rd	R/W	CK_ALL_ ON_EN	STV_ALL_ ON_EN	CK_ALL_ ON_WID TH1[5]	CK_ALL_ ON_WID TH1[4]	CK_ALL_ ON_WID TH1[3]	CK_ALL_ ON_WID TH1[2]	CK_ALL_ ON_WID TH1[1]	CK_ALL_ ON_WID TH1[0]	00
Parameter 4th	R/W	x	x	CK_ALL_ ON_WID TH2[5]	CK_ALL_ ON_WID TH2[4]	CK_ALL_ ON_WID TH2[3]	CK_ALL_ ON_WID TH2[2]	CK_ALL_ ON_WID TH2[1]	CK_ALL_ ON_WID TH2[0]	00
Parameter 5th	R/W	x	x	CK_ALL_ ON_WID TH3[5]	CK_ALL_ ON_WID TH3[4]	CK_ALL_ ON_WID TH3[3]	CK_ALL_ ON_WID TH3[2]	CK_ALL_ ON_WID TH3[1]	CK_ALL_ ON_WID TH3[0]	00
Parameter 6th	R/W	YS_FLG_ PERI OD[7]	YS_FLG_ PERI OD[6]	YS_FLG_ PERI OD[5]	YS_FLG_ PERI OD[4]	YS_FLG_ PERI OD[3]	YS_FLG_ PERI OD[2]	YS_FLG_ PERI OD[1]	YS_FLG_ PERI OD[0]	00
Parameter 7th	R/W	YS2_SE L_2[1]	YS2_SEL _2[0]	YS1_SEL _2[1]	YS1_SEL _2[0]	YS2_XO R_2	YS1_XO R_2	YS_FLG_ EN_2	ALL_ON EN_2	94
Parameter 8th	R/W	USER_G IP_GATE 1_2[7]	USER_G IP_GATE 1_2[6]	USER_G IP_GATE 1_2[5]	USER_G IP_GATE 1_2[4]	USER_G IP_GATE 1_2[3]	USER_G IP_GATE 1_2[2]	USER_G IP_GATE 1_2[1]	USER_G IP_GATE 1_2[0]	00
Parameter 9th	R/W	CK_ALL_ ON_EN_2	STV_ALL_ ON_EN_2	CK_ALL_ ON_WID TH1_2[5]	CK_ALL_ ON_WID TH1_2[4]	CK_ALL_ ON_WID TH1_2[3]	CK_ALL_ ON_WID TH1_2[2]	CK_ALL_ ON_WID TH1_2[1]	CK_ALL_ ON_WID TH1_2[0]	00
Parameter 10th	R/W	x	x	CK_ALL_ ON_WID TH2_2[5]	CK_ALL_ ON_WID TH2_2[4]	CK_ALL_ ON_WID TH2_2[3]	CK_ALL_ ON_WID TH2_2[2]	CK_ALL_ ON_WID TH2_2[1]	CK_ALL_ ON_WID TH2_2[0]	00
Parameter 11th	R/W	x	x	CK_ALL_ ON_WID TH3_2[5]	CK_ALL_ ON_WID TH3_2[4]	CK_ALL_ ON_WID TH3_2[3]	CK_ALL_ ON_WID TH3_2[2]	CK_ALL_ ON_WID TH3_2[1]	CK_ALL_ ON_WID TH3_2[0]	00
Parameter 12th	R/W	YS_FLG_ PERI OD_2[7]	YS_FLG_ PERI OD_2[6]	YS_FLG_ PERI OD_2[5]	YS_FLG_ PERI OD_2[4]	YS_FLG_ PERI OD_2[3]	YS_FLG_ PERI OD_2[2]	YS_FLG_ PERI OD_2[1]	YS_FLG_ PERI OD_2[0]	00
Parameter 13th	R/W	COS1_L _GS[3]	COS1_L _GS[2]	COS1_L _GS[1]	COS1_L _GS[0]	COS2_L _GS[3]	COS2_L _GS[2]	COS2_L _GS[1]	COS2_L _GS[0]	00
Parameter 14th	R/W	COS3_L _GS[3]	COS3_L _GS[2]	COS3_L _GS[1]	COS3_L _GS[0]	COS4_L _GS[3]	COS4_L _GS[2]	COS4_L _GS[1]	COS4_L _GS[0]	00
Parameter 15th	R/W	COS5_L _GS[3]	COS5_L _GS[2]	COS5_L _GS[1]	COS5_L _GS[0]	COS6_L _GS[3]	COS6_L _GS[2]	COS6_L _GS[1]	COS6_L _GS[0]	00
:	:	:	:	:	:	:	:	:	:	:
Parameter 21th	R/W	COS17_ L_GS[3]	COS17_ L_GS[2]	COS17_ L_GS[1]	COS17_ L_GS[0]	COS18_ L_GS[3]	COS18_ L_GS[2]	COS18_ L_GS[1]	COS18_ L_GS[0]	00
Parameter 22th	R/W	COS19_ L_GS[3]	COS19_ L_GS[2]	COS19_ L_GS[1]	COS19_ L_GS[0]	COS20_ L_GS[3]	COS20_ L_GS[2]	COS20_ L_GS[1]	COS20_ L_GS[0]	00
Parameter 23th	R/W	COS21_ L_GS[3]	COS21_ L_GS[2]	COS21_ L_GS[1]	COS21_ L_GS[0]	COS22_ L_GS[3]	COS22_ L_GS[2]	COS22_ L_GS[1]	COS22_ L_GS[0]	00
Parameter 24th	R/W	COS1_R _GS[3]	COS1_R _GS[2]	COS1_R _GS[1]	COS1_R _GS[0]	COS2_R _GS[3]	COS2_R _GS[2]	COS2_R _GS[1]	COS2_R _GS[0]	00
Parameter 25th	R/W	COS3_R _GS[3]	COS3_R _GS[2]	COS3_R _GS[1]	COS3_R _GS[0]	COS4_R _GS[3]	COS4_R _GS[2]	COS4_R _GS[1]	COS4_R _GS[0]	00
Parameter 26th	R/W	COS5_R _GS[3]	COS5_R _GS[2]	COS5_R _GS[1]	COS5_R _GS[0]	COS6_R _GS[3]	COS6_R _GS[2]	COS6_R _GS[1]	COS6_R _GS[0]	00
:	:	:	:	:	:	:	:	:	:	:
Parameter 32th	R/W	COS17_ R_GS[3]	COS17_ R_GS[2]	COS17_ R_GS[1]	COS17_ R_GS[0]	COS18_ R_GS[3]	COS18_ R_GS[2]	COS18_ R_GS[1]	COS18_ R_GS[0]	00
Parameter 33th	R/W	COS19_ R_GS[3]	COS19_ R_GS[2]	COS19_ R_GS[1]	COS19_ R_GS[0]	COS20_ R_GS[3]	COS20_ R_GS[2]	COS20_ R_GS[1]	COS20_ R_GS[0]	00
Parameter 34th	R/W	COS21_ R_GS[3]	COS21_ R_GS[2]	COS21_ R_GS[1]	COS21_ R_GS[0]	COS22_ R_GS[3]	COS22_ R_GS[2]	COS22_ R_GS[1]	COS22_ R_GS[0]	00
Parameter 35th	R/W	x	x	EQOPT[1]	EQOPT[0]	x	x	EQ_SEL[1]	EQ_SEL[0]	30
Parameter 36th	R/W	EQ_DEL AY[7]	EQ_DEL AY[6]	EQ_DEL AY[5]	EQ_DEL AY[4]	EQ_DEL AY[3]	EQ_DEL AY[2]	EQ_DEL AY[1]	EQ_DEL AY[0]	00



Parameter 37th	R/W	EQ2_DE_LAY[7]	EQ2_DE_LAY[6]	EQ2_DE_LAY[5]	EQ2_DE_LAY[4]	EQ_DEL_AY_HSY_NC[3]	EQ_DEL_AY_HSY_NC[2]	EQ_DEL_AY_HSY_NC[1]	EQ_DEL_AY_HSY_NC[0]	00
Parameter 38th	R/W	EQ2_DE_LAY[3]	EQ2_DE_LAY[2]	EQ2_DE_LAY[1]	EQ2_DE_LAY[0]	x	x	HSYNC_TO_CL1_CNT10[9]	HSYNC_TO_CL1_CNT10[8]	00
Parameter 39th	R/W	HSYNC_TO_CL1_CNT10[7]	HSYNC_TO_CL1_CNT10[6]	HSYNC_TO_CL1_CNT10[5]	HSYNC_TO_CL1_CNT10[4]	HSYNC_TO_CL1_CNT10[3]	HSYNC_TO_CL1_CNT10[2]	HSYNC_TO_CL1_CNT10[1]	HSYNC_TO_CL1_CNT10[0]	02

This command is to set backward GIP timing.



- **YS1_SEL[1:0]:** Specify YS1 Signal Mode.
- **YS2_SEL[1:0]:** Specify YS2 Signal Mode.

YS1[1:0] YS2[1:0] (Hex)	YS1/YS2 Signal Mode
0	INYS1/INYS2
1	INYS1 or INYS2
2	INYS1 and INYS2

- **YS_FLAG_EN:** Enable YS signal function.
- **YS1_XOR:** Reverse YS1 signal.
- **YS2_XOR:** Reverse YS2 signal.
- **ALL_ON_EN:** Enable ALL ON function.
- **CK_ALL_ON_EN:** Enable CKV ALL ON function.
- **STV_ALL_ON_EN:** Enable STV ALL ON function.
- **USER_GIP_GATE[7:0]:** Specify the distance of GIP ALL On rising edge and DE.
- **CK_ALL_ON_WIDTH1[5:0] / CK_ALL_ON_WIDTH2[5:0] / CK_ALL_ON_WIDTH3[5:0]:** Specify the timing of YS1 and YS2 signal.



Description

• **EQOPT[1:0]**: Specify GIP output EQ signal.

EQOTP (Hex)	P_EQ	N_EQ
0	Yes	Yes
1	No	Yes
2	Yes	No
3	No	No

• **EQ_SEL[1:0]**: Specify GIP output EQ signal level.

EQ_SEL (Hex)	P_EQ	N_EQ
0	-	-
1	VSP	VSP
2	VSP	VSP
3	VSP	VSP

• **EQ_DELAY[7:0]**: Specify the distance of EQ rising edge and HYSNC @ EQ_SEL=0.

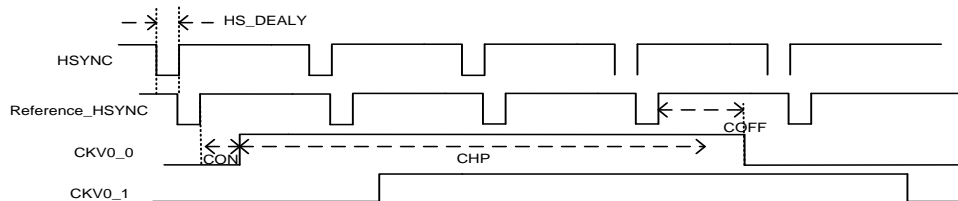
EQ_DEALY (Hex)	Distance
0	0*(2/Fosc)
1	1*(2/Fosc)
2	2*(2/Fosc)
:	:
FF	255*(2/Fosc)

• **EQ_DELAY_HSYNC[3:0]**: Specify the distance of EQ rising edge and HYSNC.

EQ_DEALY_HS (Hex)	Distance
0	0 Hsync
1	1 Hsync
2	2 Hsync
:	:
16	16 Hsync

• **HSYNC_TO_CL1_CNT10[9:0]**: Specify the GIP reference HSYNC between external HSYNC

HSYNC_TO_CL1_CNT10[9:0] (Hex)	Distance
0	0/Fosc
1	1/Fosc
2	2/Fosc
:	:
1FF	511/Fosc





6.2.79 SETCOLOR (EBh)

EB H	SETCOLOR									
	R/W	D7	D6	D5	D4	D3	D2	D1	D0	HEX
Command	W	1	1	1	0	1	0	1	1	EB
Parameter 1st	W	Bkx[1]	Bkx[0]	Bky[1]	Bky[0]	Wx[1]	Wx[0]	Wy[1]	Wy[0]	00
Parameter 2nd	W	BKx[9]	BKx[8]	BKx[7]	BKx[6]	BKx[5]	BKx[4]	BKx[3]	BKx[2]	00
Parameter 3rd	W	BKy[9]	BKy[8]	BKy[7]	BKy[6]	BKy[5]	BKy[4]	BKy[3]	BKy[2]	00
Parameter 4th	W	Wx[9]	Wx[8]	Wx[7]	Wx[6]	Wx[5]	Wx[4]	Wx[3]	Wx[2]	00
Parameter 5th	W	Wy[9]	Wy[8]	Wy[7]	Wy[6]	Wy[5]	Wy[4]	Wy[3]	Wy[2]	00
Parameter 6th	W	Rx[1]	Rx[0]	Ry[1]	Ry[0]	Gx[1]	Gx[0]	Gy[1]	Gy[0]	00
Parameter 7th	W	Rx[9]	Rx[8]	Rx[7]	Rx[6]	Rx[5]	Rx[4]	Rx[3]	Rx[2]	00
Parameter 8th	W	Ry[9]	Ry[8]	Ry[7]	Ry[6]	Ry[5]	Ry[4]	Ry[3]	Ry[2]	00
Parameter 9th	W	Gx[9]	Gx[8]	Gx[7]	Gx[6]	Gx[5]	Gx[4]	Gx[3]	Gx[2]	00
Parameter 10th	W	Gy[9]	Gy[8]	Gy[7]	Gy[6]	Gy[5]	Gy[4]	Gy[3]	Gy[2]	00
Parameter 11th	W	Bx[1]	Bx[0]	By[1]	By[0]	Ax[1]	Ax[0]	Ay[1]	Ay[0]	00
Parameter 12th	W	Bx[9]	Bx[8]	Bx[7]	Bx[6]	Bx[5]	Bx[4]	Bx[3]	Bx[2]	00
Parameter 13th	W	By[9]	By[8]	By[7]	By[6]	By[5]	By[4]	By[3]	By[2]	00
Parameter 14th	W	Ax[9]	Ax[8]	Ax[7]	Ax[6]	Ax[5]	Ax[4]	Ax[3]	Ax[2]	00
Parameter 15th	W	Ay[9]	Ay[8]	Ay[7]	Ay[6]	Ay[5]	Ay[4]	Ay[3]	Ay[2]	00
Description	This command is used to record the Panel Optical Performance.									



7. Electrical Characteristics

7.1 Absolute maximum ratings

Item	Symbol	Unit	Spec.		
			Min.	Typ.	Max.
Power Supply Voltage 1	IOVCC~VSSD	V	-0.3	-	+5.5
Power Supply Voltage 2	VCI ~ VSSA	V	-0.3	-	+6.6
Power Supply Voltage 3	VSP ~ VSSA	V	-0.3	-	+6.6
Power Supply Voltage 4	VSSA ~ VSN	V	-0.3	-	+6.6
Power Supply Voltage 5	VGH ~ VGL	V	-0.3	-	+35
Logic Input Voltage	V _{IN}	V	-0.3	-	IOVCC+0.3
Logic Output Voltage	V _o	V	-0.3	-	IOVCC+0.3
Differential Input Voltage	DSI_CP/DSI_CN	V	-0.3	-	2.0
	DSI_D0P/DSI_D0P,				
	DSI_D1P/DSI_D1N				
Operating Temperature	Topr	°C	-40	-	+85
Storage Temperature	Tstg	°C	-55	-	+110

Table 7-1: Absolute Maximum Ratings



7.2 DC characteristics

7.2.1 Basic Characteristics

External Power IC and PFM:

Parameter	Symbol	Conditions	Spec.			Unit
			Min.	Typ.	Max.	
Power & Operating Voltages						
Logic Operating voltage	IOVCC	I/O supply voltage	1.65	1.8	3.3	V
Analog Operating voltage	VCI	Operation voltage	2.5	2.8	3.3	
Input / Output						
Logic High level input voltage	VIH	-	0.7IOVCC	-	IOVCC	V
Logic Low level input voltage	VIL	-	VSSD	-	0.3IOVCC	
Logic High level output voltage	VOH	IOH = -1.0mA	0.8IOVCC	-	IOVCC	
Logic Low level output voltage	VOL	IOL = +1.0mA	VSSD	-	0.2IOVCC	
Input leakage current	IIL	-	-1	-	1	μA
DC/DC Converter Operation						
VSP booster voltage	VSP	I _{VSP} =1mA	4.5		6.2	V
VSN booster voltage	VSN	I _{VSN} =-1mA	-6.2		-4.5	
VGH booster voltage	VGH	I _{vgh} =1mA	10		20	
VGL booster voltage	VGL	I _{vgl} =-1mA	-15		-7.5	
VGH and VGL difference	VGH-VGL	-	-	-	32	
Oscillator tolerance	OSC	25°C	-3		3	%
Source Driver						
Gamma reference voltage	VSPR	-	3.3		5.6	V
	VSNR	-	-5.6		-3.3	
Output voltage deviation	DVOS	VSSD+1.0 ~ VSPROUT-1.0	-	-	+/- 20	mV
		VSSD+0.1V ~ VSSD+1.0	-	-	+/- 50	mV
		VSPR-1.0 ~ VSPR-0.1V	-	-	+/- 50	mV
Output offset voltage	Voff	-			+/-50	mV
Standby Mode Current Consumption						
Sleep In Mode	VCI	Ta=25°C VCI=2.8V	-	150	-	μA
	IOVCC	IOVCC=1.8V	-	50	-	



3 Power Mode:

Parameter	Symbol	Conditions	Spec.			Unit
			Min.	Typ.	Max.	
Power & Operating Voltages						
Logic Operating voltage	IOVCC	I/O supply voltage	1.65	1.8	3.3	V
Analog Operating voltage	VCI	Operation voltage	4.5		6.2	
Analog Operating voltage	VSP	Operation voltage	4.5		6.2	
Analog Operating voltage	VSN	Operation voltage	-6.2		-4.5	
Input / Output						
Logic High level input voltage	VIH	-	0.7IOVCC	-	IOVCC	V
Logic Low level input voltage	VIL	-	VSSD	-	0.3IOVCC	
Logic High level output voltage	VOH	IOH = -1.0mA	0.8IOVCC	-	IOVCC	
Logic Low level output voltage	VOL	IOL = +1.0mA	VSSD	-	0.2IOVCC	
Input leakage current	IIL	-	-1	-	1	μA
DC/DC Converter Operation						
VGH booster voltage	VGH	Ivgh=1mA	10		20	V
VGL booster voltage	VGL	Ivgl=-1mA	-15		-7.5	
VGH and VGL difference	VGH-VGL	-	-	-	32	
Oscillator tolerance	OSC	25°C	-3		3	%
Source Driver						
Gamma reference voltage	VSPR	-	3.3		5.6	V
	VSNR	-	-5.6		-3.3	
Output voltage deviation	DVOS	VSSD+1.0 ~ VSPROUT-1.0	-	-	+/- 20	mV
		VSSD+0.1V ~ VSSD+1.0	-	-	+/- 50	mV
		VSPR-1.0 ~ VSPR-0.1V	-	-	+/- 50	mV
Output offset voltage	Voff	-		-	+/-50	mV
Standby Mode Current Consumption						
Sleep In Mode	VSP	Ta=25°C VSP=5.4V VSN=-5.4V IOVCC=1.8V	-	150	-	μA
	VSN		-	50	-	
	IOVCC		-	35	-	



7.2.2 DSI DC Characteristics
LP Mode

Parameter	Symbol	Conditions	Spec.			Unit
			Min.	Typ.	Max.	
Logic high level input voltage	V_{IHLPD}	LP-CD	450	-	1350	mV
Logic low level input voltage	V_{ILLPCD}	LP-CD	0	-	200	mV
Logic high level input voltage	V_{IHLPRX}	LP-RX(CLK, D0)	880	-	1350	mV
Logic low level input voltage	V_{ILLPRX}	LP-RX(CLK, D0)	0	-	550	mV
Logic low level input voltage	$V_{ILLPRXULP}$	LP-RX(CLK ULP mode)	0	-	300	mV
Logic high level output voltage	V_{OHLPTX}	LP-TX(D0)	1.1	-	1.3	V
Logic low level output voltage	V_{OLLPTX}	LP-TX(D0)	-50	-	50	mV
Logic high level input current	V_{IH}	LP-CD, LP-RX	-	-	10	uA
Logic low level input current	V_{IL}	LP-CD, LP-RX	-10	-	-	uA
Input pulse rejection	SGD	DSI-CLK+/-, DSI-D0+1	-	-	300	Vps

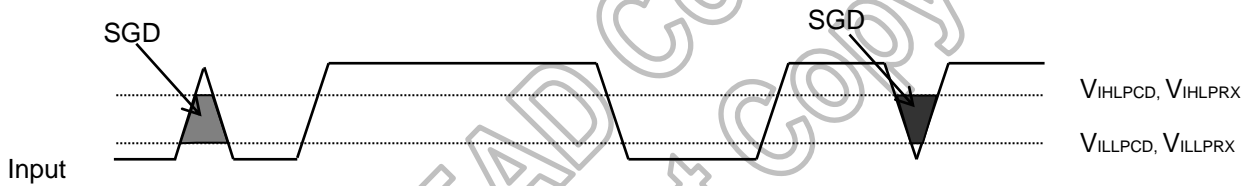


Figure 7-1: Input glitch rejections of low-power receivers



High Speed Mode

Parameter	Symbol	Conditions	Spec.			Unit
			Min.	Typ.	Max.	
Input common mode	V_{CMCLK} V_{CMDATA}	DSI_CP/DSI_CN DSI_D0P/DSI_D0P	70	-	330	mV
Input common mode variation <450 MHz	$V_{CMRCLKL}$ $V_{CMRDATAL}$	DSI_CP/DSI_CN DSI_D0P/DSI_D0P	-50	-	50	mV
Input common mode variation >450 MHz	$V_{CMRCLKM}$ $V_{CMRDATAM}$	DSI_CP/DSI_CN DSI_D0P/DSI_D0P	-	-	100	mV
Low-level differential Input threshold	V_{THLCLK} $V_{THLDATA}$	DSI_CP/DSI_CN DSI_D0P/DSI_D0P	-70	-	-	mV
High-level differential Input threshold	V_{THHCLK} $V_{THHDATA}$	DSI_CP/DSI_CN DSI_D0P/DSI_D0P	-	-	70	mV
Single ended input low voltage	V_{ILHS}	DSI_CP/DSI_CN DSI_D0P/DSI_D0P	-40	-	-	mV
Single ended input high voltage	V_{IHHS}	DSI_CP/DSI_CN DSI_D0P/DSI_D0P	-	-	460	mV
Differential input termination resistor	R_{TERM}	DSI_CP/DSI_CN DSI_D0P/DSI_D0P	80	100	125	Ω
Single-ended threshold voltage for termination enable	V_{TERMEN}	DSI_CP/DSI_CN DSI_D0P/DSI_D0P	-	-	450	mV
Termination capacitor	C_{TERM}	DSI_CP/DSI_CN DSI_D0P/DSI_D0P	-	-	-	pF

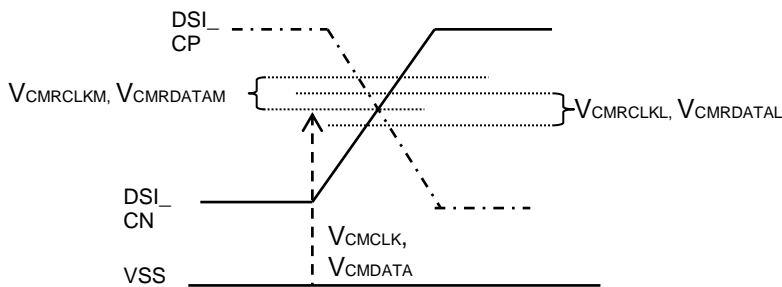
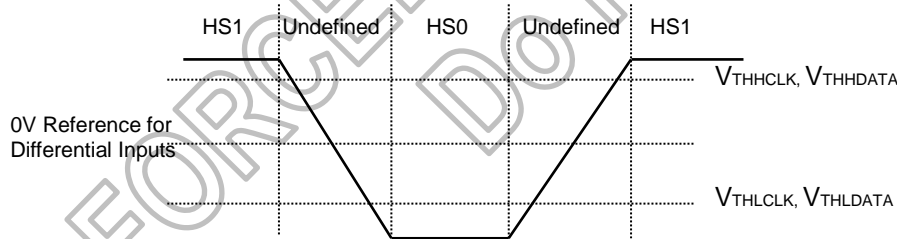


Figure 7-2: Differential voltage range and Command mode voltage



7.3 AC characteristics

7.3.1 Serial Interface Characteristics

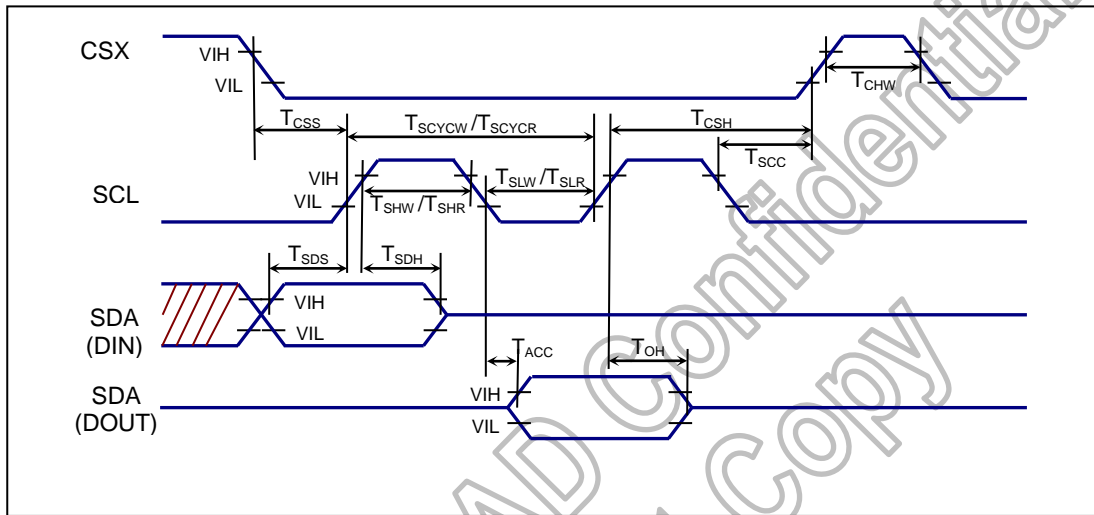


Figure 7-3: Serial Interface Characteristics

(VSSA=0V, IOVCC=1.8V, VCI=2.8V, T_A = 25°C)

Signal	Symbol	Parameter	Min.	Max.	Unit	Description
CSX	t _{css}	Chip select setup time (Write)	15	-		
	t _{css}	Chip select setup time (Read)	60	-	ns	
	t _{csh}	Chip select hold time (Write)	15	-		
	t _{csh}	Chip select hold time (Read)	65	-		
DCX	t _{ast}	Address setup time	0	-	ns	
	t _{aht}	Address hold time (Write/Read)	10	-		
SCL (Write)	t _{wc}	Write cycle	66	-		
	t _{wrh}	Control pulse "H" duration	15	-	ns	
	t _{wrl}	Control pulse "L" duration	15	-		
SCL (Read)	t _{rc}	Read cycle	150	-		
	t _{rdh}	Control pulse "H" duration	60	-	ns	
	t _{rdl}	Control pulse "L" duration	60	-		
SDA (Input)	t _{ds}	Data setup time	10	-	ns	
	t _{dh}	Data hold time	10	-		For maximum C _L =30pF
SDA (Output)	t _{acc}	Read access time	-	100	ns	For minimum C _L =8pF
	t _{oh}	Output disable time	10	-		

Note: The input signal rise time and fall time (tr, tf) is specified at 15 ns or less.

Logic high and low levels are specified as 30% and 70% of IOVCC for Input signals.

Table 7-2: Serial Interface Characteristics



7.3.2 DSI Interface Timing Characteristics

High Speed Mode

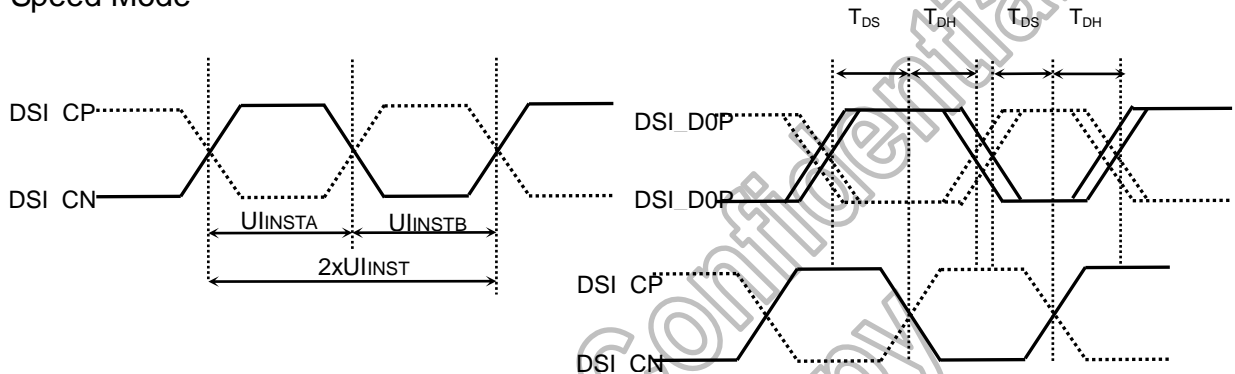


Figure 7-4: DSI clock timing Characteristics

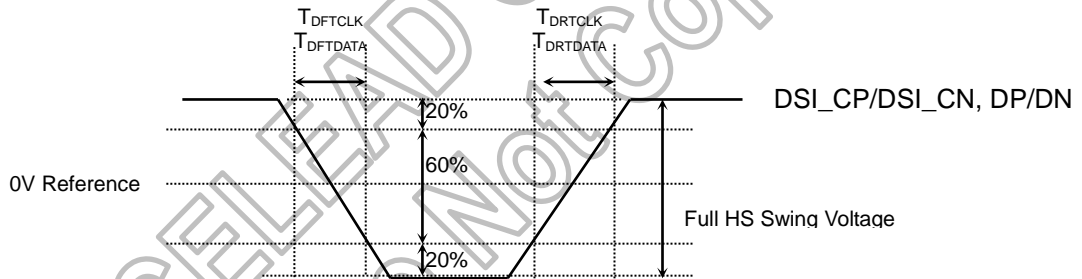


Figure 7-5: Rising and falling time on clock and data channel

(VSSA=0V, IOVCC=1.65V to 3.3V, VCI=2.5V to 3.3V, T_A = -30 to 70°C)

Signal	Item	Symbol	Spec.			Unit
			Min.	Typ.	Max.	
DSI_CP/ DSI_CN	Double UI instantaneous	2xUIINST	4LANE: 3.30 3LANE: 2.85 @ VDDD=1.8V	-	25	ns
	UI instantaneous	UIINSTA UIINSTB	4LANE: 1.67 3LANE: 1.43 @ VDDD=1.8V	-	12.5	ns
DP/DN	Data to clock setup time	T _{DS}	0.15xUI	-	-	ps
	Data to clock hold time	T _{DH}	0.15xUI	-	-	ps
DSI_CP/ DSI_CN	Differential rise time for clock	T _{DRTCLK}	150	-	0.3UI	ps
	Differential fall time for clock	T _{DFTCLK}	150	-	0.3UI	ps
DP/DN	Differential rise time for data	T _{DRTDATA}	150	-	0.3UI	ps
	Differential fall time for data	T _{DFTDATA}	150	-	0.3UI	ps

Table 7-3: DSI High Speed Mode Characteristics



Low Power Mode

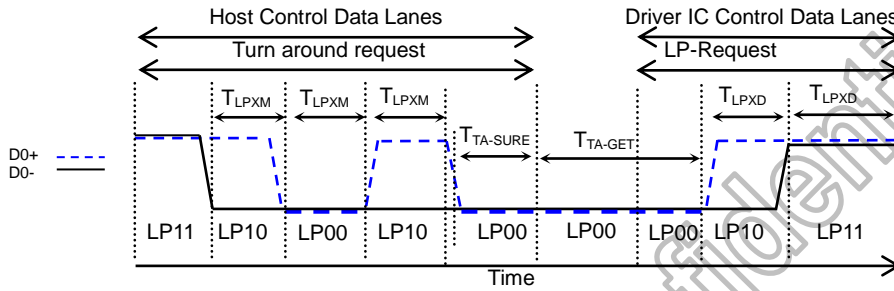


Figure 7-6: BTA from HOST to Display Module Timing

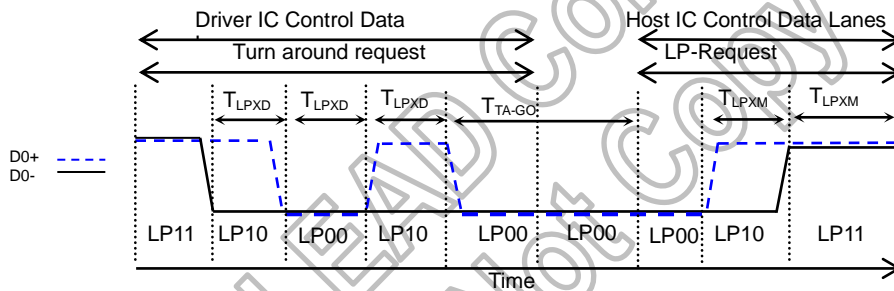


Figure 7-7: BTA from Display Module Timing to HOST

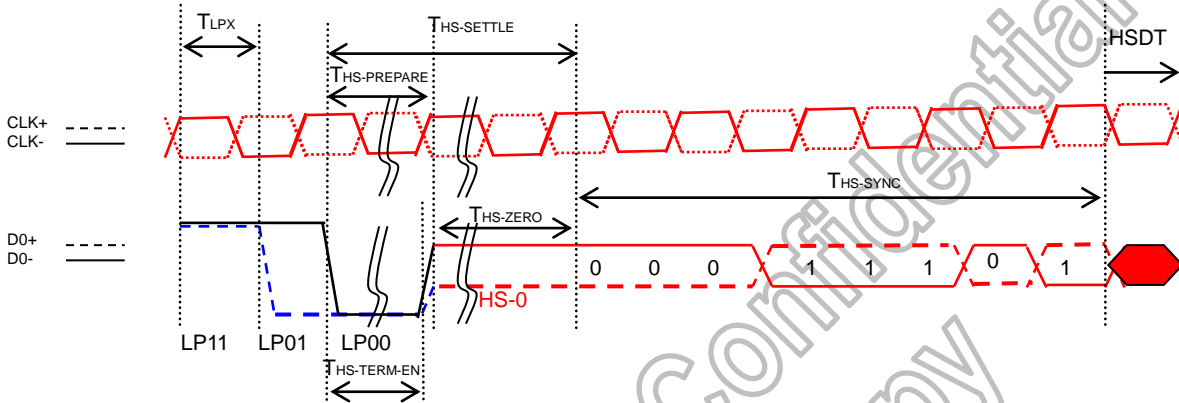
(VSSA=0V, IOVCC=1.65V to 3.3V, VCI=2.3V to 3.3V, T_A = -30 to 70°C)

Signal	Item	Symbol	Spec.			Unit
			Min.	Typ.	Max.	
DSI_D0P/ DSI_D0P	Length of LP-00/LP01/LP10/LP11 Host → Display module	T _{LPXM}	50	-	-	ns
	Length of LP-00/LP01/LP10/LP11 Display module → Host	T _{LPXD}	50	-	-	ns
	Time-out before the MPU start driver	T _{TA-SURE}	T _{LPXD}	-	2xT _{LPXD}	ns
	Time to drive LP-00 by display module	T _{TA-GET}	5xT _{LPXD}	-	-	ns
	Time to drive LP-00 after turnaround request Host	T _{TAGO}	4xT _{LPXD}	-	-	ns

Table 7-4: DSI Low Power Mode Characteristics

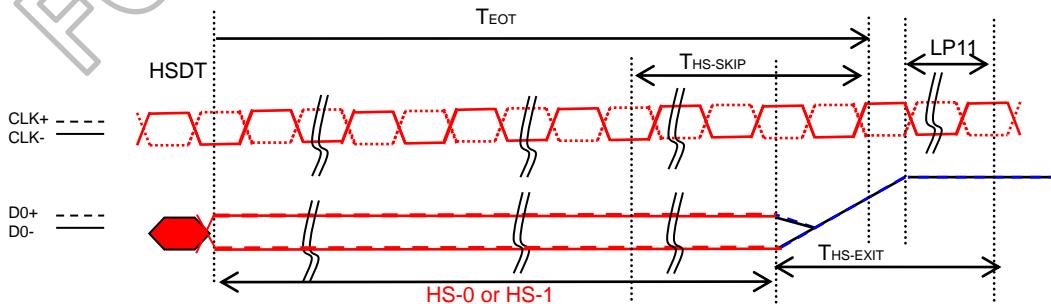


DSI BURSTS



Signal	Item	Symbol	Spec.			Unit
			Min.	Typ.	Max.	
DSI_D0P/ DSI_D0P	Length of LP-00/LP01/LP10/LP11	T _{LPX}	50	-	-	ns
	Time to Driver LP-00 to prepare for HS transmission	T _{HS-PREPARE}	40+4UI	-	85+6UI	ns
	Time to enable data receiver line termination	T _{HS-TERM-EN}	-	-	35+4xUI	ns
	Time to drive LP-00 by display module	T _{TA-GET}	5xT _{LPXD}	-	-	ns
	Time to drive LP-00 after turnaround request Host	T _{TAGO}	4xT _{LPXD}	-	-	ns

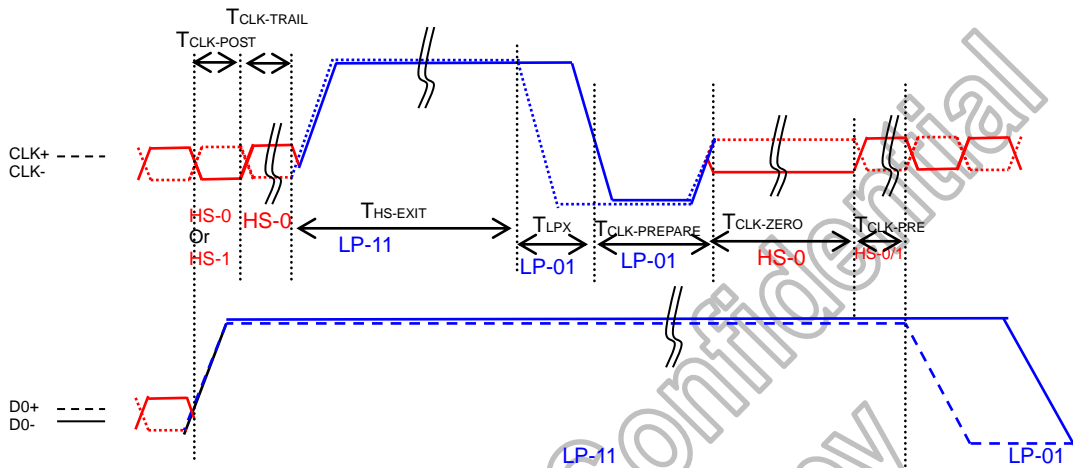
Table 7-5: DSI Low Power Mode to High Speed Mode Timing



NOTE:
If the last bit is HS-0, the transmitter changes from HS-0 to HS-1
If the last bit is HS-1, the transmitter changes from HS-1 to HS-0

Signal	Item	Symbol	Spec.			Unit
			Min.	Typ.	Max.	
DSI_D0P/ DSI_D0P	Time-Out at Display Module to Ignore Transition Period of EoT	T _{HS-SKIP}	40	-	55+4xUI	ns
	Time to Driver LP-11 after HS Burst	T _{HS-EXIT}	100	-	-	ns

Table 7-6: DSI Low Power Mode to High Speed Mode Timing



Signal	Item	Symbol	Spec.			Unit
			Min.	Typ.	Max.	
DSI_CP/ DSI_CN	Time that the MCU shall continue sending HS clock after the last associated Data Lane has transitioned to LP mode	T _{CLK-POST}	60+52xUI	-	-	ns
	Time to drive HS differential state after last payload clock bit of a HS transmission burst	T _{CLK-TRAIL}	60	-	-	ns
	Time to drive LP-11 after HS burst	T _{HS-EXIT}	100	-	-	ns
	Time to drive LP-00 to prepare for HS transmission	T _{CLK-PREPARE}	38	-	95	ns
	Time-out at Clock Lane Display Module to enable HS Termination	T _{CLK-TERM-EN}	-	-	38	ns
	Minimum lead HS-0 drive period before starting Clock	T _{CLK-PREPARE} + T _{CLK-ZERO}	300	-	-	ns
	Time that the HS clock shall be driven prior to any associated data Lane beginning the transition from LP to HS mode	T _{CLK-PRE}	8xUI			

Table 7-7: Clock Lanes High Speed Mode to/from Low Power Mode Timing



7.3.3 Reset input timing

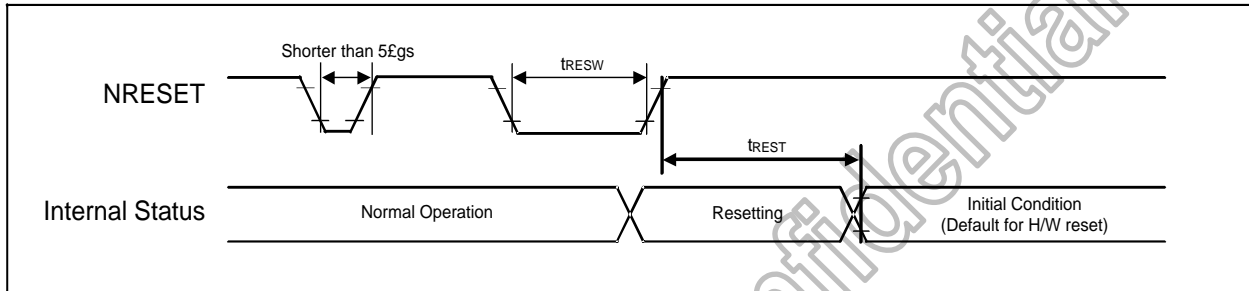


Figure 7-8: Reset input timing

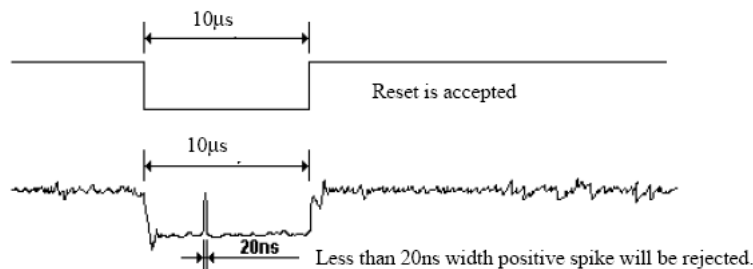
Symbol	Parameter	Related Pins	Spec.			Note	Unit
			Min.	Typ.	Max.		
tRESW	Reset low pulse width ⁽¹⁾	NRESET	10	-	-	-	µs
tREST	Reset complete time ⁽²⁾	-	15	-	-	When reset applied during SLPIN mode	ms
		-	120	-	-	When reset applied during SLPOUT mode	ms

Table 7-8: Reset Input Timing

Note: (1) Spike due to an electrostatic discharge on NRESET line does not cause irregular system reset according to the following table.

NRESET Pulse	Action
Shorter than 5 µs	Reset Rejected
Longer than 10 µs	Reset
Between 5 µs and 10 µs	Reset Start

- (2) During the resetting period, the display will be blanked (The display is entering blanking sequence, which Maximum time is 120 ms, when Reset Starts in Sleep Out –mode. The display remains the blank state in Sleep In –mode) and then return to Default condition for H/W reset.
- (3) During Reset Complete Time, ID and VCOM value in OTP will be latched to internal register during this period. This loading is done every time when there is H/W reset complete time (tREST) within 15ms after a rising edge of NRESET.
- (4) Spike Rejection also applies during a valid reset pulse as shown as below:



- (5) It is necessary to wait 15msec after releasing NRESET before sending commands. Also Sleep Out command cannot be sent for 120msec.



8. Reference Application

8.1 Interface

The display, which is using DSI interface, is connected to the MPU as it is illustrated below.

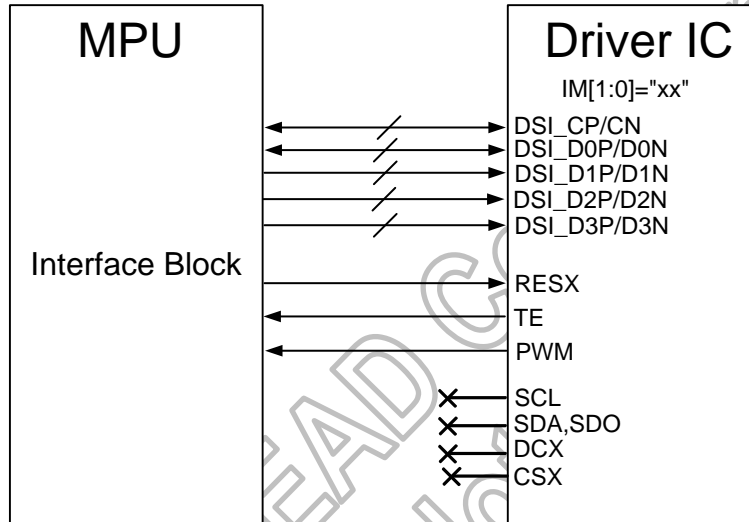


Figure 8-1: Interfacing for MIPI by Setting Lane [1:0]="11"

Notes:

1. When TE is not in use, please let it open.
2. When PWM is not in use, please let it open.
3. Connect DSI_D3_P/N to DSI_VSS in 3 data lanes application (LANE[1:0]="10").
4. Connect DSI_D3P/N and DSI_D2P/N to DSI_VSS in 2 data lanes application (LANE[1:0]="01").



8.2 Connections with Panel

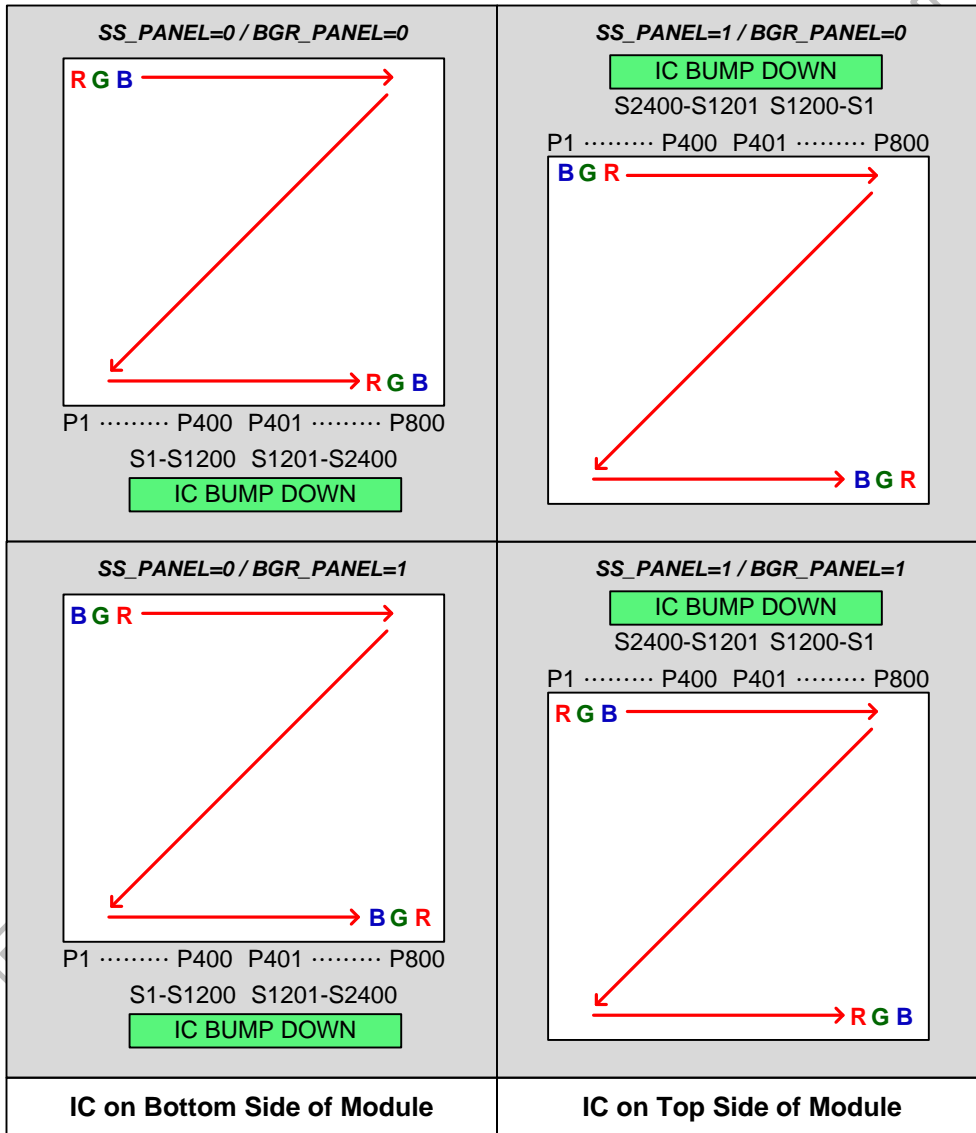
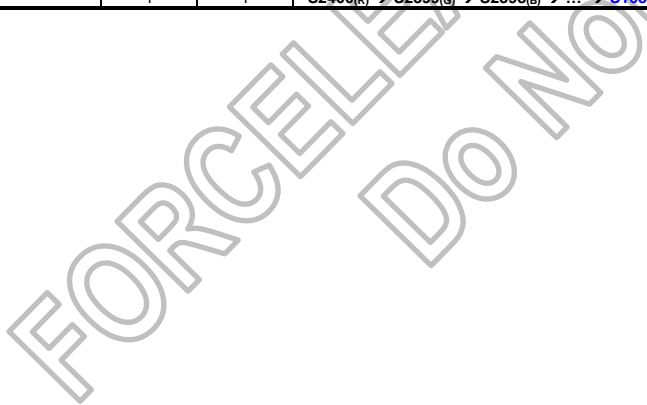


Figure 8-2: Source Pin Connection for Panel



The relationship between Sn output sequence and SS_PANEL / BGR_PANEL.

RESO SEL[2:0]	Resolution	SS PANEL	BGR PANEL	Sn Output Sequence	Used Sn Pin
3	720RGB	0	0	S1(R) → S2(G) → S3(B) → ... → S1080(B) → S1321(R) → ... → S2398(R) → S2399(G) → S2400(B)	S1-S1080 and S1321-S2400
		0	1	S1(B) → S2(G) → S3(R) → ... → S1080(R) → S1321(B) → ... → S2398(B) → S2399(G) → S2400(R)	
		1	0	S2400(B) → S2399(G) → S2398(R) → ... → S1321(B) → S1080(B) → ... → S3(B) → S2(G) → S1(R)	
4	640RGB	1	1	S2400(R) → S2399(G) → S2398(B) → ... → S1321(B) → S1080(R) → ... → S3(R) → S2(G) → S1(B)	S1-S960 and S1441-S2400
		0	0	S1(R) → S2(G) → S3(B) → ... → S960(B) → S1441(R) → ... → S2398(R) → S2399(G) → S2400(B)	
		0	1	S1(B) → S2(G) → S3(R) → ... → S960(R) → S1441(B) → ... → S2398(B) → S2399(G) → S2400(R)	
5	600RGB	1	0	S2400(B) → S2399(G) → S2398(R) → ... → S1441(R) → S960(B) → ... → S3(B) → S2(G) → S1(R)	S1-S900 and S1501-S2400
		1	1	S2400(R) → S2399(G) → S2398(B) → ... → S1501(B) → S900(B) → ... → S3(R) → S2(G) → S1(B)	
		0	0	S1(R) → S2(G) → S3(B) → ... → S900(B) → S1501(R) → ... → S2398(R) → S2399(G) → S2400(B)	
6	540RGB	0	1	S1(B) → S2(G) → S3(R) → ... → S900(R) → S1501(B) → ... → S2398(B) → S2399(G) → S2400(R)	S1-S810 and S1591-S2400
		0	0	S2400(B) → S2399(G) → S2398(R) → ... → S1591(R) → S810(B) → ... → S3(B) → S2(G) → S1(R)	
		1	1	S2400(R) → S2399(G) → S2398(B) → ... → S1591(B) → S810(R) → ... → S3(R) → S2(G) → S1(B)	
7	440RGB	0	0	S1(R) → S2(G) → S3(B) → ... → S810(B) → S1591(R) → ... → S2398(R) → S2399(G) → S2400(B)	S1-S660 and S1741-S2400
		0	1	S1(B) → S2(G) → S3(R) → ... → S660(B) → S1741(R) → ... → S2398(B) → S2399(G) → S2400(R)	
		1	0	S2400(B) → S2399(G) → S2398(R) → ... → S1741(R) → S660(B) → ... → S3(B) → S2(G) → S1(R)	
8	400RGB	1	1	S2400(R) → S2399(G) → S2398(B) → ... → S1741(B) → S660(R) → ... → S3(R) → S2(G) → S1(B)	S1-S600 and S1741-S2400
		0	0	S1(R) → S2(G) → S3(B) → ... → S600(B) → S1801(R) → ... → S2398(R) → S2399(G) → S2400(B)	
		0	1	S1(B) → S2(G) → S3(R) → ... → S600(R) → S1801(B) → ... → S2398(B) → S2399(G) → S2400(R)	
9	480RGB	1	0	S2400(B) → S2399(G) → S2398(R) → ... → S1801(R) → S600(B) → ... → S3(B) → S2(G) → S1(R)	S1-S720 and S1681-S2400
		1	1	S2400(R) → S2399(G) → S2398(B) → ... → S1801(B) → S600(R) → ... → S3(R) → S2(G) → S1(B)	
		0	0	S1(R) → S2(G) → S3(B) → ... → S720(B) → S1681(R) → ... → S2398(R) → S2399(G) → S2400(B)	
9	480RGB	0	1	S1(B) → S2(G) → S3(R) → ... → S720(R) → S1681(B) → ... → S2398(B) → S2399(G) → S2400(R)	S1-S720 and S1681-S2400
		1	0	S2400(B) → S2399(G) → S2398(R) → ... → S1681(R) → S720(B) → ... → S3(B) → S2(G) → S1(R)	
		1	1	S2400(R) → S2399(G) → S2398(B) → ... → S1681(B) → S720(R) → ... → S3(R) → S2(G) → S1(B)	





8.3 DC/DC Converter

8.3.1 External Power IC Mode - FL1002

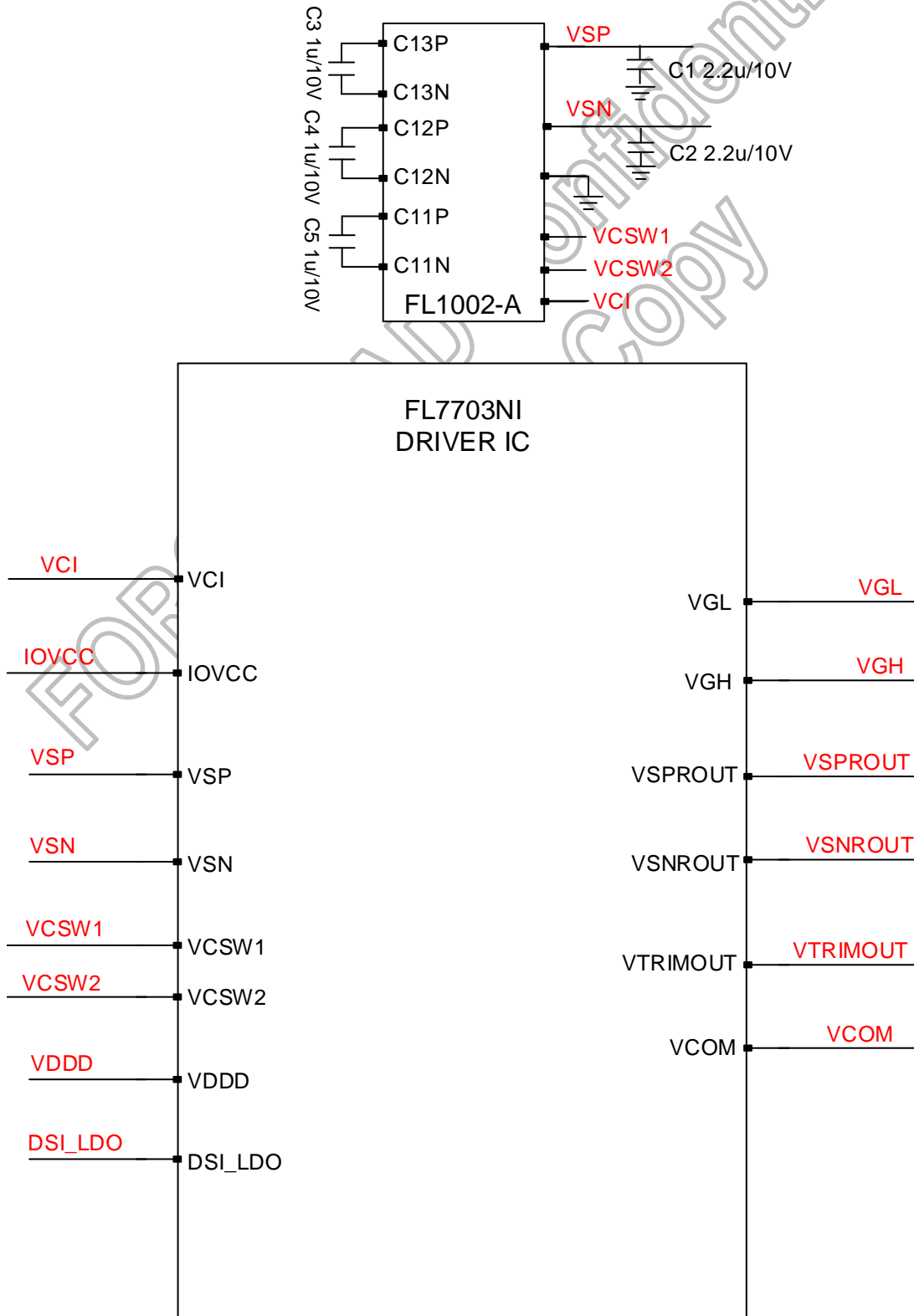


Figure 8-3: Using External Power IC Application



8.3.2 PFM Mode - Type C

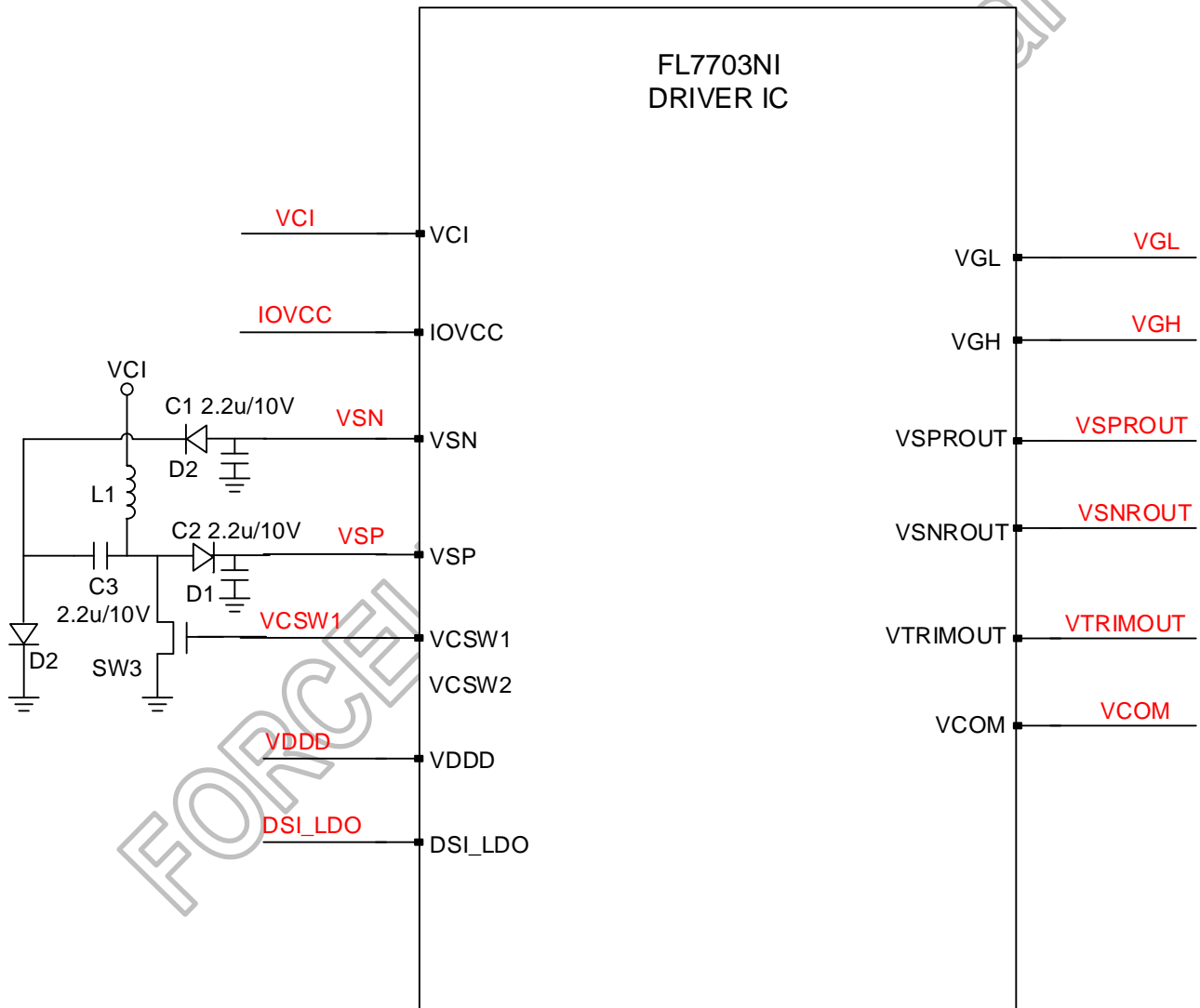


Figure 8-4: Using PFM - Type C Application



8.3.3 Three-Power Mode

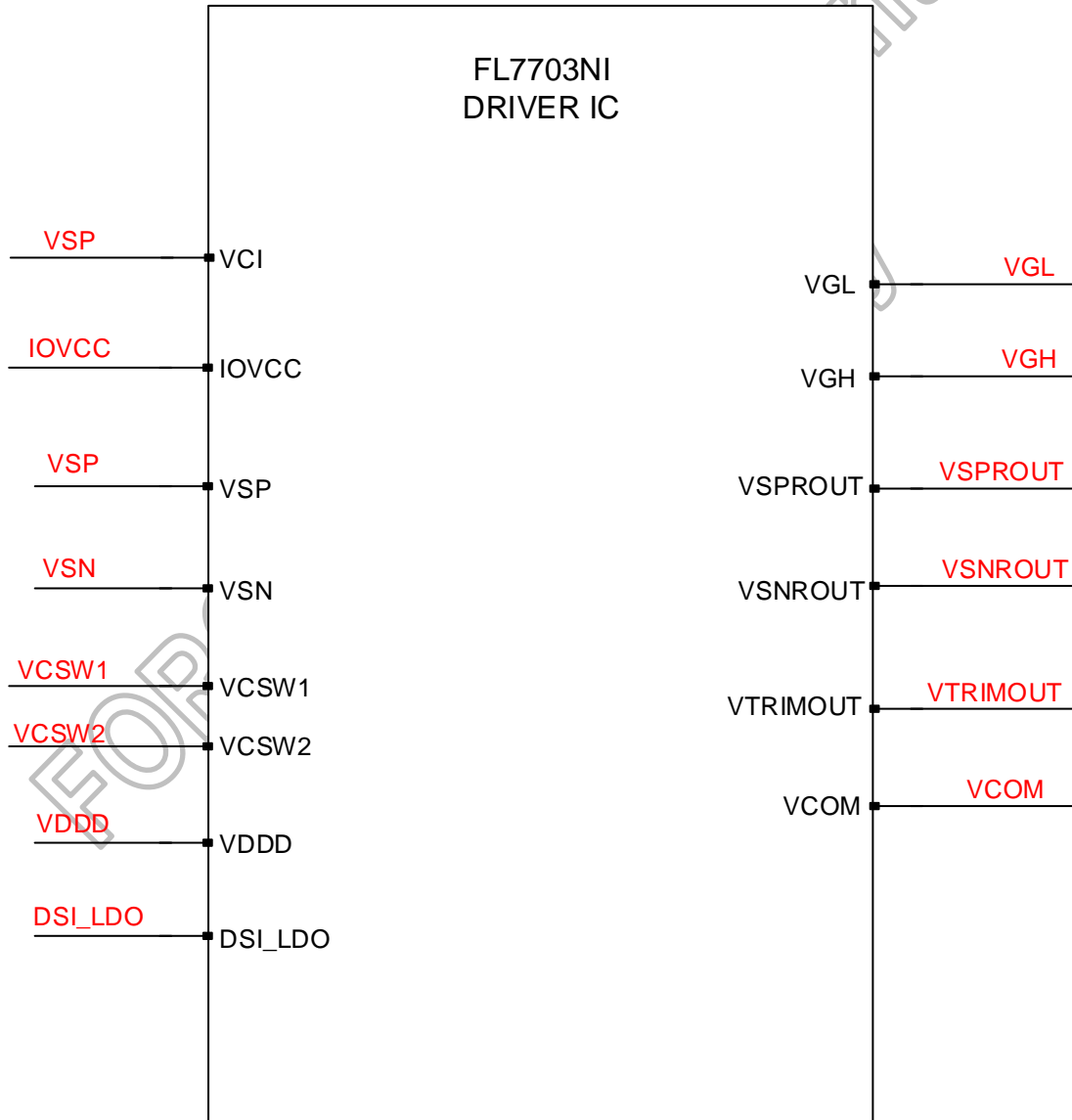


Figure 8-5: Using Three Power Mode Application



8.4 DSI Power On/Off Timing

8.4.1 Power On Timing of External Power IC

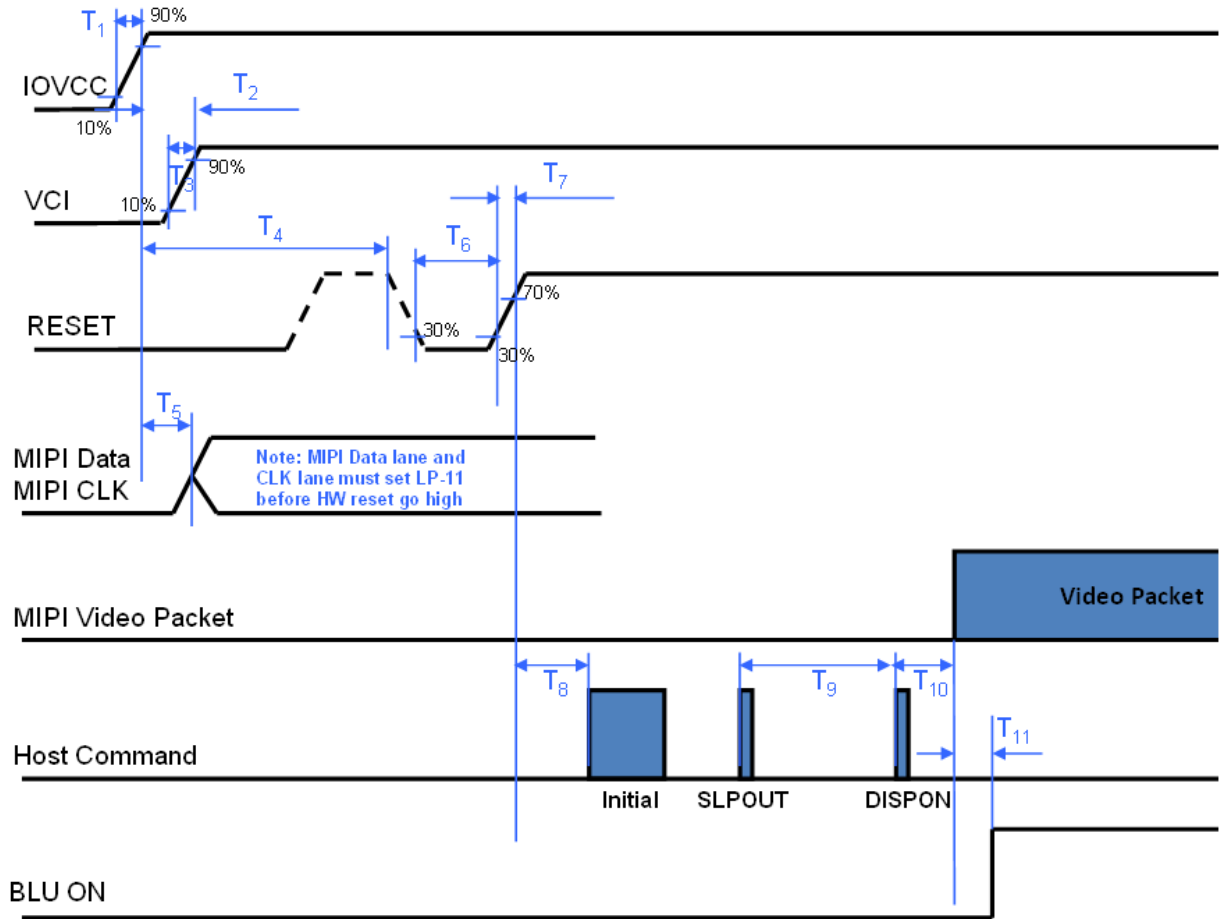


Figure 8-6: DSI Power On Sequence of Power IC Mode

	Min.	Typ.	Max.	Unit
T1	0.01	-	10	ms
T2	No Limit			ms
T3	0.01	-	10	ms
T4	1	-	-	ms
T5	1	-	-	ms
T6	10	-	-	us
T7	No Limit			ns
T8	15	-	-	ms
T9	120	-	-	ms
T10	No Limit			ms
T11	100	150	-	ms

Table 8-1: DSI Power On Timing of Power IC Mode



8.4.2 Power Off Timing of External Power IC

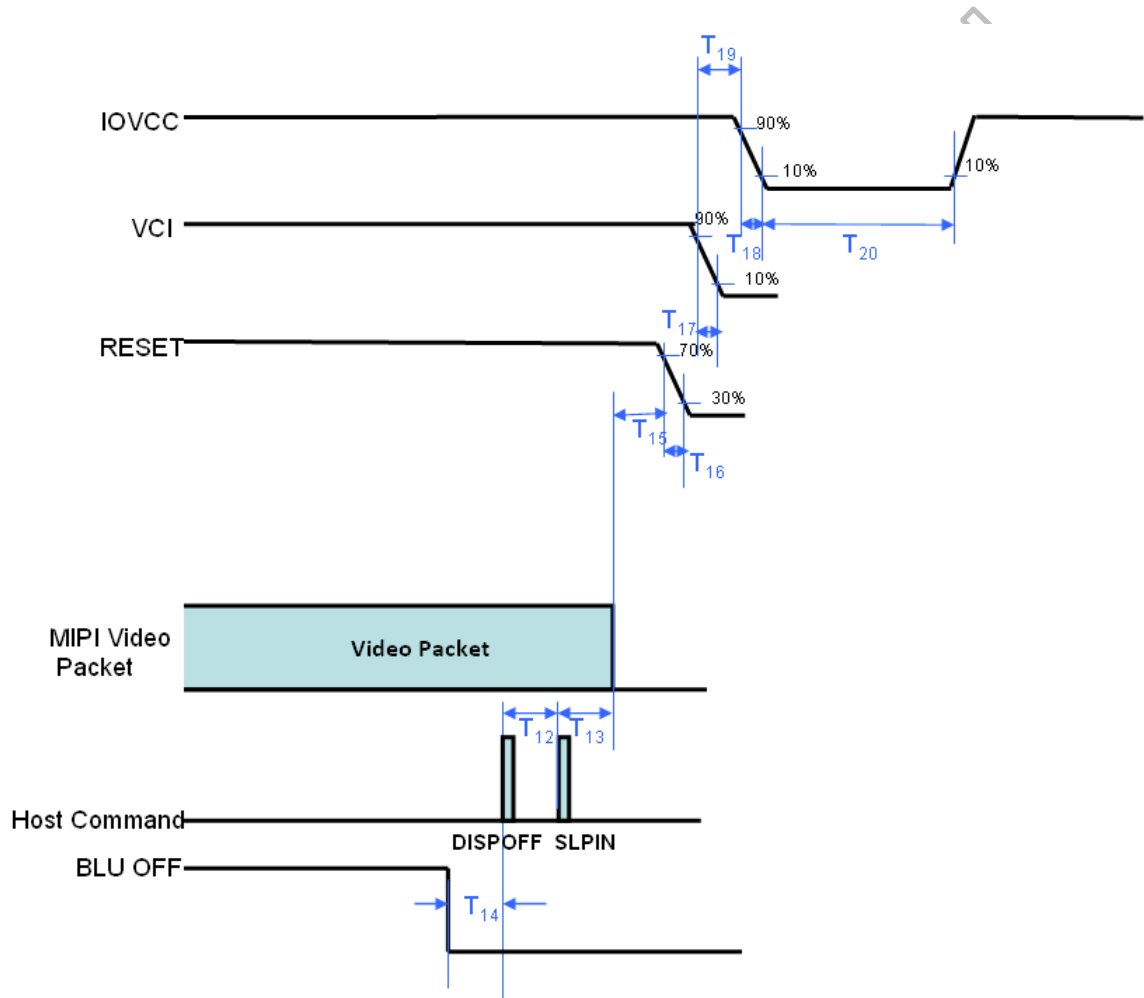


Figure 8-7: DSI Power Off Sequence of Power IC Mode

	Min.	Typ.	Max.	Unit
T12	2	-	-	Frame
T13	2	-	-	Frame
T14	40	100	-	ms
T15	10	-	-	ms
T16	No Limit			ms
T17	No Limit			ms
T18	No Limit			ms
T19	No Limit			ms
T20	100			ms

Table 8-2: DSI Power Off Timing of Power IC Mode



8.4.3 Power On Timing of 3-Power Mode

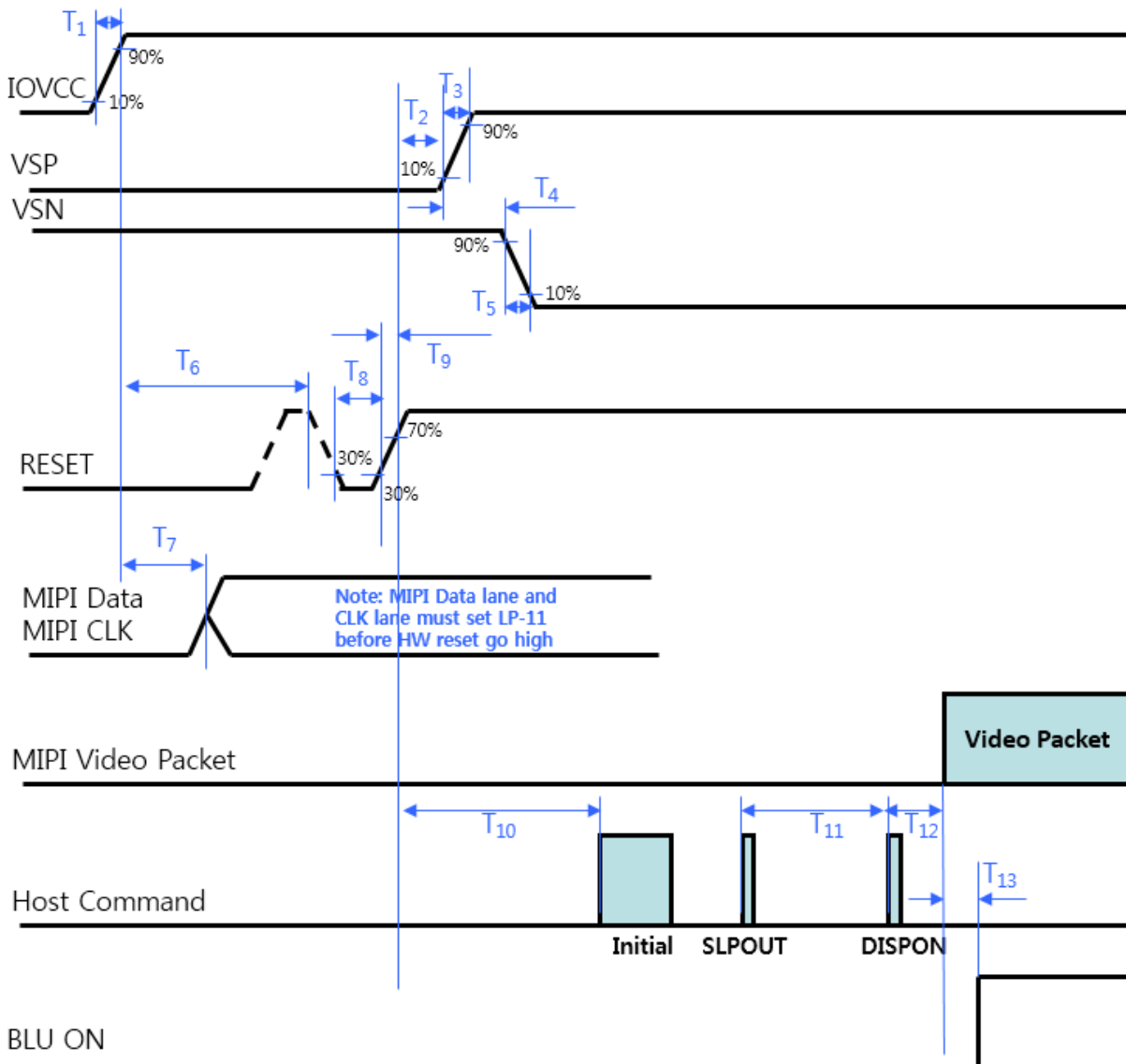


Figure 8-8: DSI Power On Sequence of 3 Power Mode

	Min.	Typ.	Max.	Unit
T1	0.01	-	10	ms
T2	10	-	-	ms
T3	0.01	-	10	ms
T4	No Limit			ms
T5	0.01	-	10	ms
T6	1	-	-	ms
T7	1	-	-	ms
T8	10	-	-	us
T9	No Limit			ns
T10	15	-	-	ms
T11	120	-	-	ms
T12	No Limit			ms
T13	100	150	-	ms

Table 8-3: DSI Power On Timing of 3 Power Mode



8.4.4 Power Off Timing of 3-Power Mode

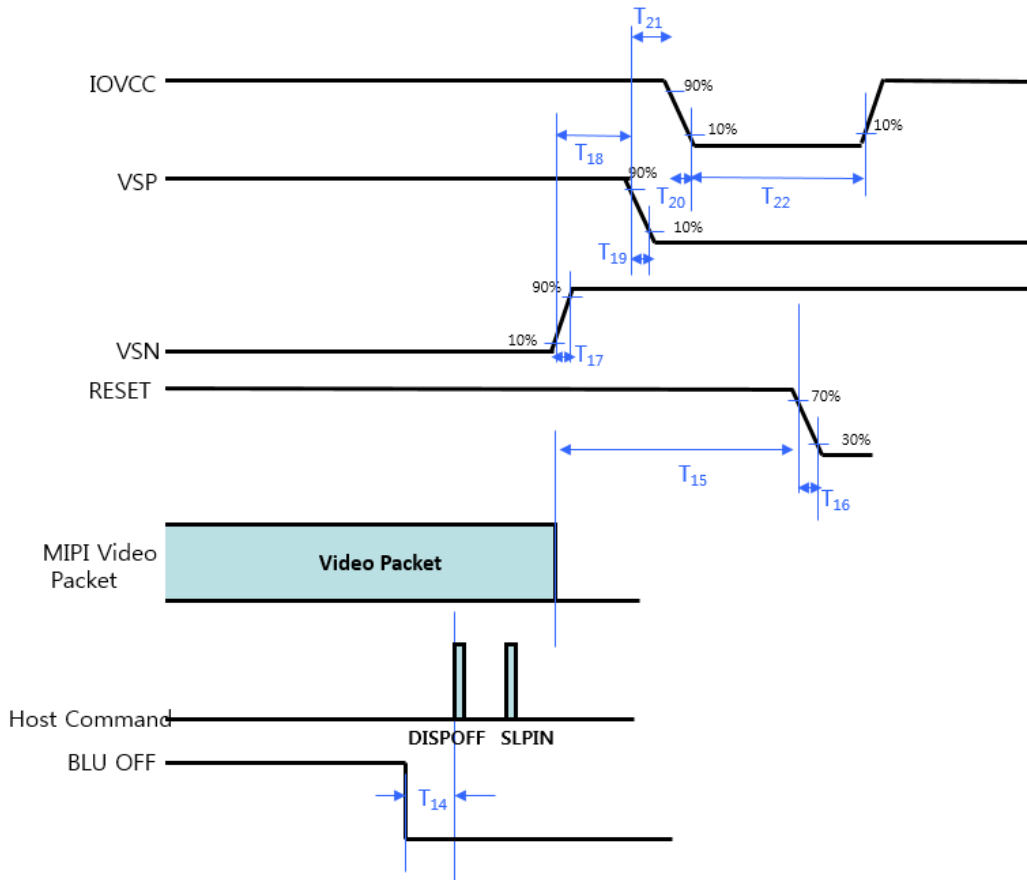


Figure 8-9: DSI Power Off Sequence of 3 Power Mode

	Min.	Typ.	Max.	Unit
T14	40	100	-	ms
T15	10	-	-	ms
T16	No Limit			ms
T17	No Limit			ms
T18	1	-	-	ms
T19	No Limit			ms
T20	No Limit			ms
T21	1	-	-	ms
T22	100	-	-	ms

Table 8-4: DSI Power Off Timing of 3 Power Mode



8.5 Maximum Layout Resistance

Name	Type	Maximum layout resistance	Unit
IOVCC	Power supply	10	Ω
VCI	Power supply	10	Ω
VSSD	Power supply	10	Ω
VSSA	Power supply	10	Ω
DSI_VSS	Power supply	10	Ω
IM0,IM1,LANSEL	Input	100	Ω
VCSW1, VCSW2	Output	30	Ω
DCX,SCL,CSX,RESX	Input	100	Ω
SDA	Input/Output	100	Ω
SDO	Output	100	Ω
VOUT,HOUT	Output	100	Ω
PWM	Output	100	Ω
VCOM	Output	10	Ω
DSI_D0P	Input/Output	8	Ω
DSI_D0N	Input/Output	8	Ω
DSI_CP	Input	8	Ω
DSI_CN	Input	8	Ω
DSI_D1P	Input	8	Ω
DSI_D1N	Input	8	Ω
DSI_D2P	Input	8	Ω
DSI_D2N	Input	8	Ω
DSI_D3P	Input	8	Ω
DSI_D3N	Input	8	Ω
VDDD	Output	10	Ω
VSP,VSN	Input/Output	10	Ω
VSPROUT, VSNROUT	Output	10	Ω
VTRIMOUT	Output	10	Ω
VGL	Output	10	Ω
VGH	Output	10	Ω
DSI_LDO	Output	10	Ω
OSC	Input	100	Ω
VTESTOUTP, VTESTOUTN	Output	100	Ω
CGOUTL_1~22	Output	30	Ω
CGOUTR_1~22	Output	30	Ω

Table 8-5: Maximum Layout Resistance