



RA6963

Dot Matrix

LCD Controller

Specification

Version 2.1

June 10, 2015

RAiO Technology Inc.

©Copyright RAiO Technology Inc. 2011, 2012, 2013, 2014, 2015

Update History		
Version	Date	Description
1.0	May 29, 2007	Formal Release
1.1	September 27, 2007	Update Figure 9-4
1.2	November 15, 2007	Update < Table 8-2 > Max. f_{OSC} to 18MHz. Update < Table 8-4 > Max. f_{SCP} to 9MHz. Update the Chapter 5-4 "Misc Interface" – the description of pin "MDS" and MD[1:0].
1.3	February 26, 2008	Update the description of pin "X1" in Section 5-4. Update Figure 6-13, 6-14, 9-5 and 9-6.
1.4	March 27, 2009	Update < Table 6-5 > Command Definition Description. Update Figure 6-10. Update < Table 6-31 > Package Description in Section 6-21. Update < Table 8-2 >
1.5	July 07, 2009	Update Figure 9-6
1.6	March 02, 2010	Update the Section 7-1 : Die Form
1.7	January 20, 2011	Update <Table 5-4> : delete the description of FONTSEL Update <Table 6-1> : the description of CDATA Update <Table 6-15> Delete Section 6-16 : Screen Reverse Delete Section 6-17 : Blink Time Delete Section 6-18 : Cursor Auto Moving Delete Section 6-19 : CGROM Font Select Delete Section 6-21 : RA6963 vs T6963C Delete Section 7-1 : Die Form Delete Section 7-2 : Part Number Delete Section 7-3 : XY Coordinate
	May 5, 2011	Modify feature description - 256 word ROM -> 128 word ROM Delete feature description – Bold and Display reverse
1.8	April 26, 2012	Modify Ch5: Pin Description Modify <Table 8-2>
1.9	July 24, 2013	Modify <Table 6-1> Modify <Table 6-19>
2.0	April 30, 2014	Modify <Table 8-2> Operating Frequency
2.1	June 10, 2015	Modify <Table 8-2>

Chapter	Contents	Pages
1.	Overview	5
2.	Features	5
3.	Block Diagram	5
4.	Package	6
5.	Pin Descriptions.....	6
	5-1 MPU Interface	6
	5-2 LCD Driver Interface	7
	5-3 Memory Interface	7
	5-4 Misc. Interface	8
6.	Functions Description	10
	6-1 Functional Definition	10
	6-2 State After RESET/HALT	10
	6-3 Row / Column and Oscillation Clock.....	11
	6-4 RAM Interface.....	12
	6-5 Communications with MPU.....	13
	6-5-1 Status Read.....	13
	6-5-2 Setting Data.....	15
	6-5-3 Command Definitions	16
	6-6 Setting Registers.....	17
	6-6-1 Set Cursor Pointer.....	17
	6-6-2 Set Offset Register	18
	6-6-3 Set Address Pointer	19
	6-7 Set Control Word.....	20
	6-7-1 Set Text Home Address	20
	6-7-2 Set Graphic Home Address.....	21
	6-7-3 Set Text Area.....	22
	6-7-4 Set Graphic Area	23
	6-8 Mode Set	24
	6-9 Display Mode	25
	6-10 Cursor Pattern Select	26
	6-11 Data Auto Read/Write	26
	6-12 Data Read/Write.....	28
	6-13 Screen Peek.....	29
	6-14 Screen Copy	30
	6-15 Bit Set/Reset.....	31
	6-16 Character Font Map	32
7.	Package Dimensions	33
	7-1 Outline Drawing	33

8. Specifications	34
8-1 Absolute Maximum Ratings	34
8-2 MPU Interface Timing	35
8-3 Driver Interface Timing	35
8-4 External Memory Interface	36
9. Application	38
9-1 MPU Memory Address Mapping	38
9-2 MPU I/O Addressing.....	39
9-3 Use PPI LSI	39
9-4 Application Block Diagram	40
9-5 Application Circuit (1).....	41
9-6 Application Circuit (2).....	41

1. Overview

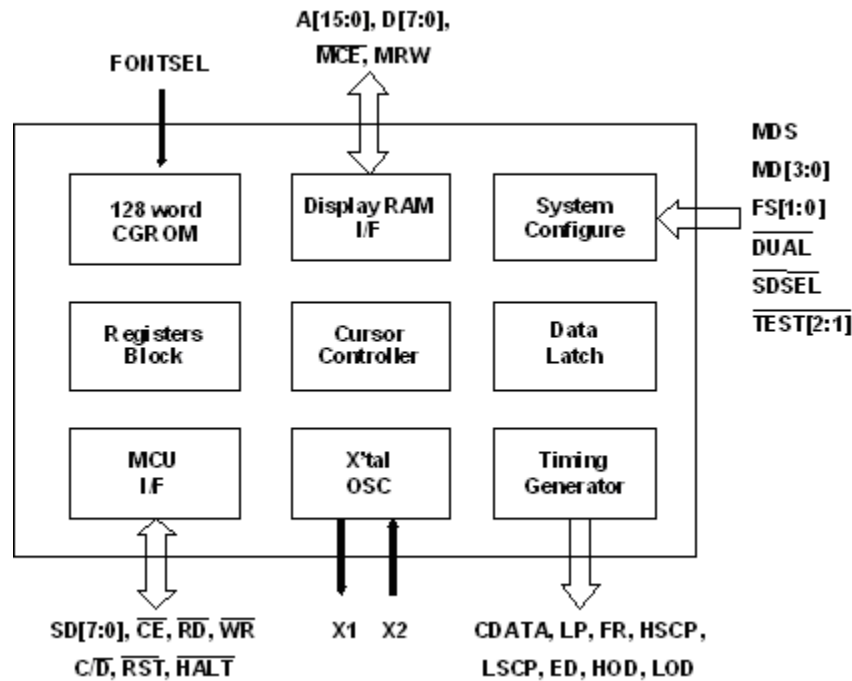
The RA6963 is a dot matrix LCD Controller which fully compatible with T6963C. It supports various LCD Driver for standard or custom-made LCD module. The RA6963 built-in a 128-word CG(Character Generator) ROM that for ASCII, Japanese or numeric display in text mode. It also supports Graphics mode and mixed display with Text. The supported maximum external display RAM is 64Kbyte and the display Window can be moved freely within the allocated memory range. The RA6963 has an 8-bit parallel data bus that can be directly connected to an 8080 series MPU.

The RA6963 supports a very broad range of LCD formats by allowing selection of different combinations via a set and combination text-and-graphic modes, and includes various attribute functions.

2. Features

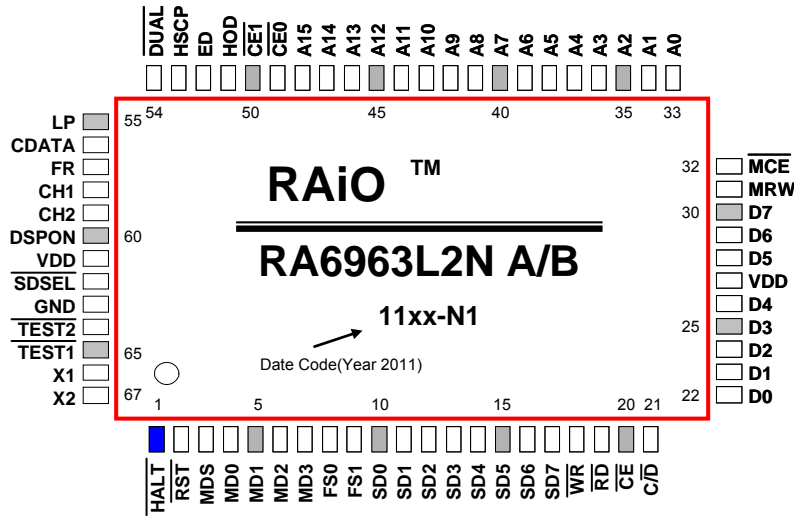
- ◆ Support Display Range:
Columns → 32, 40, 64, 80
Rows → 2, 4, 6, 8, 10, 12, 14, 16, 20, 24, 28, 32
- ◆ Support 8080 8-bit MPU Interface
- ◆ Built-in 128-word Font ROM: Basic ASCII、
Japanese、Numeric
- ◆ Support Max. 64Kbyte External Display SRAM
- ◆ Display Mode : Character、Graphics and Mixed Mode
- ◆ Font Size :
Horizontal → 5, 6, 7, 8 Pixels
Vertical → 8 Pixels
- ◆ Support Various LCD Driver
- ◆ Support 1/16 ~1/128 Duty
- ◆ Built-in X'tal Oscillator or Using External Clock
- ◆ Power Supply Range: 3.0~5.5V
- ◆ Package: LQFP-67Pin (RoHS Compliance)

3. Block Diagram



< Figure 3-1 >

4. Package



< Figure 4-1 >

RA6963L2NA : LQFP-67 Pin, RoHS Compliance Package, Font-01 (Refer to Chapter 6-16)
RA6963L2NB : LQFP-67 Pin, RoHS Compliance Package, Font-02 (Refer to Chapter 6-16)

5. Pin Descriptions

Item	Symbol	Description
INPUT	I	Input pin.
OUTPUT	O	Output pin, set to high impedance while in-active.
Bi-direction	B	This is bi-directional data bus. While in-active, data bus is set to high impedance.

5-1 MPU Interface

< Table 5-1 >

Pin Name	I/O	Description
SD[7..0]	B	Data Bus This is bus for data transfer between MPU and RA6963.
\overline{RD}	I	Read Control \overline{RD} is a data read signal. When Low, MPU read data from RA6963.
\overline{WR}	I	Write Control \overline{WR} is a data write signal. When Low, MPU write data into RA6963.

C/\overline{D}	I	Command/Data Select or Register Select This is a Data or Command select signal.									
		<table border="1"> <tr> <td>C/\overline{D}</td> <td>$\overline{WR} = \text{Low}$</td> <td>$\overline{RD} = \text{Low}$</td> </tr> <tr> <td>High</td> <td>Command Write</td> <td>Status Read</td> </tr> <tr> <td>Low</td> <td>Data Write</td> <td>Data Read</td> </tr> </table>	C/\overline{D}	$\overline{WR} = \text{Low}$	$\overline{RD} = \text{Low}$	High	Command Write	Status Read	Low	Data Write	Data Read
		C/\overline{D}	$\overline{WR} = \text{Low}$	$\overline{RD} = \text{Low}$							
High	Command Write	Status Read									
Low	Data Write	Data Read									
\overline{CE}	I	Chip Enable This is chip enable of RA6963. When MPU communicate with RA6963, this pin must be Low.									

5-2 LCD Driver Interface

< Table 5-2 >

Pin Name	I/O	Description
FR	O	Frame
LP	O	Latch Latch pulse for column driver. Shift clock pulse for Row Driver
CDATA	O	Synchronous Data Synchronous Data for Row Driver.
HSCP	O	Shift Clock Pulse Shift clock pulse for Column Driver in upper area of LCD.
HOD	O	Data Output Data output for Odd Columns in upper area of LCD.
ED	O	Data Output $\overline{SDSEL} = \text{High} \rightarrow$ Data output for even columns in both upper and lower area of LCD. $\overline{SDSEL} = \text{Low} \rightarrow$ Data output for columns in both upper and lower area of LCD.
DSPON	O	Display On Display On/Off control signal. When \overline{HALT} or \overline{RST} is Low, DSPON output Low (LCD Display Off).

5-3 Memory Interface

< Table 5-3 >

Pin Name	I/O	Description
A[15:0]	O	Address Output for External Memory
D[7:0]	B	Data Bus for External Memory
\overline{MCE}	O	Memory Chip Enable $\overline{MCE} = \text{Low} \rightarrow$ Memory Enable. $\overline{MCE} = \text{High} \rightarrow$ Memory Disable.
MRW	O	Memory Read/Write Control MRW = Low \rightarrow Memory Write Enable. MRW = High \rightarrow Memory Read Enable.

$\overline{\text{CE0}}$ LOD	O	Memory Chip Enable 0 If $\overline{\text{DUAL}} = \text{High}$ → Chip enable pin for display memory in the address range 0000~07FFh. If $\overline{\text{DUAL}} = \text{Low}$ → Serial data output for odd columns in lower area of LCD.
$\overline{\text{CE1}}$ LSCP	O	Memory Chip Enable 1 If $\overline{\text{DUAL}} = \text{High}$ → Chip enable pin for display memory in the address range 0800~0FFFh. If $\overline{\text{DUAL}} = \text{Low}$ → Shift clock output for Column Driver in lower area of LCD.
VDD	P	Power
GND	P	Ground

5-4 Misc. Interface

< Table 5-4 >

Pin Name	I/O	Description																																																																																																												
$\overline{\text{DUAL}}$	I	Scan Select $\overline{\text{DUAL}} = \text{Low}$ → Dual-Scan Mode. $\overline{\text{DUAL}} = \text{High}$ → Signal-Scan Mode.																																																																																																												
MDS MD[1:0]	I	LCD Size Selection One Screen <table border="1" style="margin: 10px auto;"> <tr><td>DUAL</td><td>H</td><td>H</td><td>H</td><td>H</td><td>H</td><td>H</td><td>H</td><td>H</td></tr> <tr><td>MDS</td><td>L</td><td>L</td><td>L</td><td>L</td><td>H</td><td>H</td><td>H</td><td>H</td></tr> <tr><td>MD1</td><td>H</td><td>H</td><td>L</td><td>L</td><td>H</td><td>H</td><td>L</td><td>L</td></tr> <tr><td>MD0</td><td>H</td><td>L</td><td>H</td><td>L</td><td>H</td><td>L</td><td>H</td><td>L</td></tr> <tr><td>Lines</td><td>2</td><td>4</td><td>6</td><td>8</td><td>10</td><td>12</td><td>14</td><td>16</td></tr> <tr><td>V-Dots</td><td>16</td><td>32</td><td>48</td><td>64</td><td>80</td><td>96</td><td>112</td><td>128</td></tr> </table> Two Screens <table border="1" style="margin: 10px auto;"> <tr><td>DUAL</td><td>L</td><td>L</td><td>L</td><td>L</td><td>L</td><td>L</td><td>L</td><td>L</td></tr> <tr><td>MDS</td><td>L</td><td>L</td><td>L</td><td>L</td><td>H</td><td>H</td><td>H</td><td>H</td></tr> <tr><td>MD1</td><td>H</td><td>H</td><td>L</td><td>L</td><td>H</td><td>H</td><td>L</td><td>L</td></tr> <tr><td>MD0</td><td>H</td><td>L</td><td>H</td><td>L</td><td>H</td><td>L</td><td>H</td><td>L</td></tr> <tr><td>Lines</td><td>4</td><td>8</td><td>12</td><td>16</td><td>20</td><td>24</td><td>28</td><td>32</td></tr> <tr><td>V-Dots</td><td>32</td><td>64</td><td>96</td><td>128</td><td>160</td><td>192</td><td>224</td><td>256</td></tr> </table>	DUAL	H	H	H	H	H	H	H	H	MDS	L	L	L	L	H	H	H	H	MD1	H	H	L	L	H	H	L	L	MD0	H	L	H	L	H	L	H	L	Lines	2	4	6	8	10	12	14	16	V-Dots	16	32	48	64	80	96	112	128	DUAL	L	L	L	L	L	L	L	L	MDS	L	L	L	L	H	H	H	H	MD1	H	H	L	L	H	H	L	L	MD0	H	L	H	L	H	L	H	L	Lines	4	8	12	16	20	24	28	32	V-Dots	32	64	96	128	160	192	224	256
DUAL	H	H	H	H	H	H	H	H																																																																																																						
MDS	L	L	L	L	H	H	H	H																																																																																																						
MD1	H	H	L	L	H	H	L	L																																																																																																						
MD0	H	L	H	L	H	L	H	L																																																																																																						
Lines	2	4	6	8	10	12	14	16																																																																																																						
V-Dots	16	32	48	64	80	96	112	128																																																																																																						
DUAL	L	L	L	L	L	L	L	L																																																																																																						
MDS	L	L	L	L	H	H	H	H																																																																																																						
MD1	H	H	L	L	H	H	L	L																																																																																																						
MD0	H	L	H	L	H	L	H	L																																																																																																						
Lines	4	8	12	16	20	24	28	32																																																																																																						
V-Dots	32	64	96	128	160	192	224	256																																																																																																						
X1	I	Crystal Oscillator Input A crystal / ceramic oscillator circuit is built in. The oscillation frequency is adjusted according to the display size. If using an external clock, use the X1 pin as the clock input. (X2 open.) External capacitors 15 to 20pF for Crystal or Ceramic oscillator.																																																																																																												
X2	O	Crystal Oscillator Output																																																																																																												

Pin Name	I/O	Description															
FS[1:0]	I	Font Selection <table border="1"> <tr> <td>FS0</td> <td>H</td> <td>L</td> <td>H</td> <td>L</td> </tr> <tr> <td>FS1</td> <td>H</td> <td>H</td> <td>L</td> <td>L</td> </tr> <tr> <td>Font</td> <td>5 X 8</td> <td>6 X 8</td> <td>7 X 8</td> <td>8 X 8</td> </tr> </table>	FS0	H	L	H	L	FS1	H	H	L	L	Font	5 X 8	6 X 8	7 X 8	8 X 8
FS0	H	L	H	L													
FS1	H	H	L	L													
Font	5 X 8	6 X 8	7 X 8	8 X 8													
MD[3:2]	I	Columns Selection <table border="1"> <tr> <td>MD2</td> <td>H</td> <td>L</td> <td>H</td> <td>L</td> </tr> <tr> <td>MD3</td> <td>H</td> <td>H</td> <td>L</td> <td>L</td> </tr> <tr> <td>Columns</td> <td>32</td> <td>40</td> <td>64</td> <td>80</td> </tr> </table>	MD2	H	L	H	L	MD3	H	H	L	L	Columns	32	40	64	80
MD2	H	L	H	L													
MD3	H	H	L	L													
Columns	32	40	64	80													
$\overline{\text{SDSEL}}$	I	Data Transfer Mode $\overline{\text{SDSEL}}$ = Low → Sending data by simple serial mode. $\overline{\text{SDSEL}}$ = High → Sending data by odd/even separation mode.															
$\overline{\text{HALT}}$	I	Halt Signal $\overline{\text{HALT}}$ = Low → Stop the Clock. $\overline{\text{HALT}}$ = High → Normal Mode.															
$\overline{\text{RST}}$	I	Reset Signal $\overline{\text{RST}}$ = Low → RA6963 will be reset. $\overline{\text{RST}}$ = High → Normal mode. RA6963 built-in a Pull-Hi resistor.															
$\overline{\text{TEST}}[2:1]$	I	Test Pins These are test pins. No need for connection(NC). These two pins have built-in Pull-Hi resistors.															
CH1, CH2	O	Check Signals															

6. Functions Description

6-1 Functional Definition

- ◆ After power on, it is necessary to reset. The $\overline{\text{RST}}$ is kept Low between 5 clocks up (oscillation clock).
- ◆ When $\overline{\text{HALT}}$ = Low, the oscillation stops. The power supply for the LCD must be turned off, to protect the LCD from DC bias.
- ◆ The HALT function($\overline{\text{HALT}}$ = Low) includes the RESET function($\overline{\text{RST}}$ = Low).
- ◆ The column/line counter and display register are cleared by $\overline{\text{RST}}$. (Other registers are not cleared.) Disable the display using the clear-display register
- ◆ The status must be checked before data or commands are sent. The MSB=0 status check must be done in particular. There is a possibility of erroneous operation due to a hard interrupt.
- ◆ STA0 and STA1 must be checked at the same time. When a command is executed, data transmission errors may occur.
- ◆ The RA6963 can only handle one byte per machine cycle (16 clocks). It is impossible to send more than two data in a machine cycle.
- ◆ When using a command with operand data, it important to send the data first, and then executes the command.
- ◆ The character fonts used by the RA6963 are different from ASCII codes.

6-2 State After RESET/HALT

< Table 6-1 >

Pins	HALT	RESET
SD[7:0]	Floating	Floating
D[7:0]	Floating	Floating
MRW	Hi	Hi
MCE	Hi (Note 1)	Hi (Note 1)
A[15:0]	Hi (Note 2)	Hi (Note 2)
$\overline{\text{CE0}}$, $\overline{\text{CE1}}$	Hi (Note 1)	Hi (Note 1)
ED, HOD	Final data	Final data
HSCP	Low	Low
LP	Low	Low
CDATA	Hi	Hi
FR	Hi	Hi
CH1	Low	Test Signal
CH2	Low	Test Signal
DSPON	Low	Low
X2	Hi	OSC Clock

Note 1 : In Attribute mode, Hi or Low according to state of graphic pointer

Note 2 : In Attribute mode, data to graphic pointer

6-3 Row / Column and Oscillation Clock

The frequency of the crystal oscillator is adjusted by the following formula.

- f_{OSC} : Frequency of oscillation
- f_{SCP} : Frequency of shift clock ($f_{SCP} = f_{OSC} / 2$)
- f_R : Frequency of Frame
- M : Number of characters on one line (number of dots on one line 8M)
For all font sizes (e.g. 7 x 8, 7 x 8, 5 x 8) the oscillation frequency remains constant.
- N : Number of rows (Duty=1/8N)

$$\frac{8M}{f_{SCP}} \times 8N = \frac{1}{f_R}$$

$$f_{OSC} = f_R \times 64 \times 2 \times M \times N$$

($f_R = 60\text{Hz}$)

< Table 6-2 >

Unit: MHz

N \ M					Duty	
	32	40	64	80		
2	Upper	0.492	0.614	0.983	1.229	1/16
	Lower	0.983	1.229	1.966	2.458	
4	Upper	0.983	1.229	1.966	2.458	1/32
	Lower	1.966	2.458	3.932	4.915	
6	Upper	1.475	1.843	2.949	3.688	1/48
	Lower	2.949	3.685	5.898	7.372	
8	Upper	1.966	2.458	3.932	4.915	1/64
	Lower	3.932	4.915	7.864	9.830	
10	Upper	2.458	3.072	4.915	6.144	1/80
	Lower	4.915	6.144	9.830	12.288	
12	Upper	2.949	3.686	5.898	7.373	1/96
	Lower	5.898	7.373	11.776	14.746	
14	Upper	3.440	4.300	6.881	8.602	1/112
	Lower	6.881	8.601	13.763	17.203	
16	Upper	3.932	4.915	7.864	9.830	1/128
	Lower	7.864	9.830	15.729	19.660	

Note 1: Upper → Single-Scan. Lower → Dual-Scan at $f_R = 60\text{Hz}$

6-4 RAM Interface

The external RAM is used to store display data (text, graphic and external CG data).

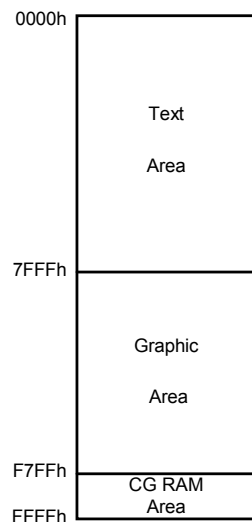
With single-scan, text data, graphic data and external CG data can be freely allocated to the memory area (64 KB max).

With dual-scan, LCD-I is allocated to 0000h to 7FFFh (32 KB max), LCD-II is allocated to 8000h to FFFFh (32-KB Max). Text data, graphic data and external CG data can be freely allocated in LCD-I. In LCD-II, the same addresses must be allocated as in LCD-I, except A15. A15 determines selection of LCD-I or LCD-II.

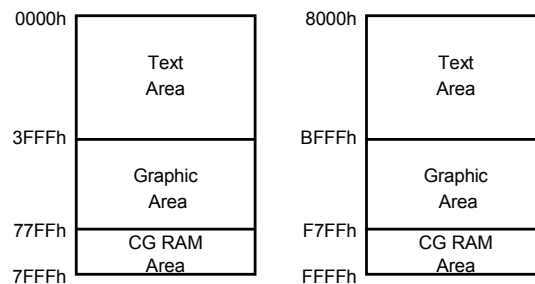
It can be used the address-decoded signals $\overline{CE0}$ (0000h to 07FFh), $\overline{CE1}$ (0800h to 0FFFh) within 4 KB. $\overline{CE0}$ and $\overline{CE1}$ allow decoding of addresses in the ranges (0000h to 07FFh) and (0800h to 0FFFh) respectively within a 4-KB memory space.

(Example)

(1) Single-Scan



(2) Dual-Scan



< Figure 6-1 >

6-5 Communications with MPU

6-5-1 Status Read

A status check must be performed before data is read or written.

Status Check

The Status of RA6963 can be read from the data lines.

< Table 6-3 >

\overline{RD}	\overline{WR}	\overline{CS}	C/\overline{D}	SD[7:0]
L	H	L	H	Status Word

The RA6963 status word format is as follows:

MSB				LSB			
SD7	SD6	SD5	SD4	SD3	SD2	SD1	SD0
STA7	STA6	STA5	STA4	STA3	STA2	STA1	STA0

< Table 6-4 >

STA0	Check command execution capability	0: Disable 1: Enable
STA1	Check data read/write capability	0: Disable 1: Enable
STA2	Check Auto mode data read capability	0: Disable 1: Enable
STA3	Check Auto mode data write capability	0: Disable 1: Enable
STA4	Not used	
STA5	Check controller operation capability	0: Disable 1: Enable
STA6	Error flag. Used for Screen copy commands.	0: No error 1: Error
STA7	Check the blink condition	0: Display off 1: Normal display

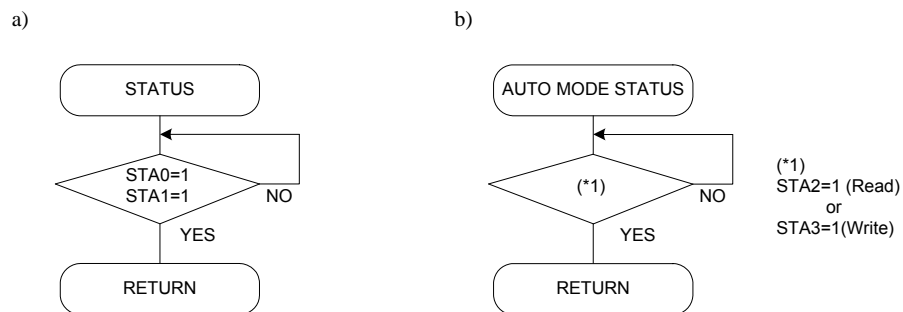
Note 1: It is necessary to check STA0 and STA1 at the same time.

There is a possibility of erroneous operation due to a hardware interrupt.

Note 2: For most modes STA0 /STA1 are used as a status check.

Note 3: STA2 and STA3 are valid in Auto mode; STA0 and STA1 are invalid.

Status Checking Flow



< Figure 6-2 >

Note 4: When using the MSB=0 command, a Status Read must be performed.
If a status check is not carried out, the RA6963 cannot operate normally, even after a delay time.

The hardware interrupt occurs during the address calculation period (at the end of each line).

If a MSB=0 command is sent to the RA6963 during this period, the RA6963 enters Wait status.

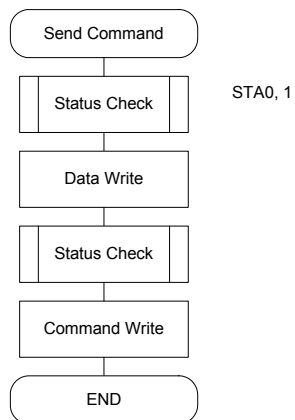
If a status check is not carried out in this state before the next command is sent, there is the possibility that the command or data will not be received.

6-5-2 Setting Data

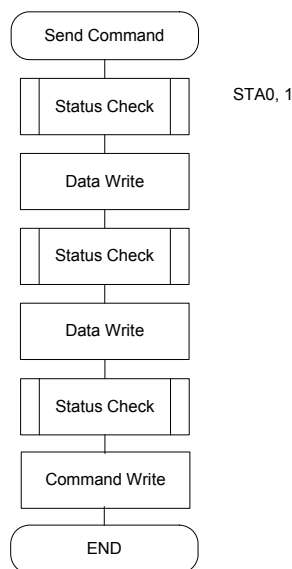
When using the RA6963, first set the data, then set the command.

Procedure for Sending a Command

a) The case of 1 data



b) The case of 2 data



< Figure 6-3 >

Note : When sending more than two data, the last datum (or last two data) is valid.

6-5-3 Command Definitions

< Table 6-5 >

Command	Code	D1	D2	Function
Registers Setting	00100001	X address	Y address	Set cursor pointer
	00100010	Data	00h	Set Offset Register
	00100100	Low address	High address	Set Address pointer
Set Control Word	01000000	Low address	High address	Set Text Home Address
	01000001	Columns	00h	Set Text Area
	01000010	Low address	High address	Set Graphic Home Address
	01000011	Columns	00h	Set Graphic Area
Mode Set	1000X000	--	--	OR mode
	1000X001	--	--	EXOR mode
	1000X011	--	--	AND mode
	1000X100	--	--	Text Attribute mode
	10000XXX	--	--	Internal CG ROM mode
	10001XXX	--	--	External CG RAM mode
Display Mode	10010000	--	--	Display off
	1001XX10	--	--	Cursor on, blink off
	1001XX11	--	--	Cursor on, blink on
	100101XX	--	--	Text on, graphic off
	100110XX	--	--	Text off, graphic on
	100111XX	--	--	Text on, graphic on
Cursor Pattern Select	10100000	--	--	1-line cursor
	10100001	--	--	2-line cursor
	10100010	--	--	3-line cursor
	10100011	--	--	4-line cursor
	10100100	--	--	5-line cursor
	10100101	--	--	6-line cursor
	10100110	--	--	7-line cursor
	10100111	--	--	8-line cursor
Data auto Read/Write	10110000	--	--	Set Data Auto Write
	10110001	--	--	Set Data Auto Read
	10110010	--	--	Auto Reset
Data Read/Write	11000000	Data	--	Data Write and Increment ADP
	11000001	--	--	Data Read and Increment ADP
	11000010	Data	--	Data Write and Decrement ADP
	11000011	--	--	Data Read and Decrement ADP
	11000100	Data	--	Data Write and Non-variable ADP
	11000101	--	--	Data Read and Non-variable ADP
Screen Peek	11100000	--	--	Screen Peek
Screen Copy	11101000			Screen Copy
Bit Set/Reset	11110XXX	--	--	Bit Reset
	11111XXX	--	--	Bit Set
	1111X000	--	--	Bit 0 (LSB)
	1111X001	--	--	Bit 1
	1111X010	--	--	Bit 2
	1111X011	--	--	Bit 3
	1111X100	--	--	Bit 4
	1111X101	--	--	Bit 5
	1111X110	--	--	Bit 6
	1111X111	--	--	Bit 7 (MSB)

6-6 Setting Registers

< Table 6-6 >

Code	Hex.	Function	D1	D2
00100001	21h	Set Cursor Pointer	X-Adrs	Y-Adrs
00100010	22h	Set Offset Register	Data	00h
00100100	24h	Set Address Pointer	Low Adrs	High Adrs

6-6-1 Set Cursor Pointer

The X-Adrs and Y-Adrs specify the position of the cursor. The cursor position can only be moved by this command. Data read /write from the MPU never changes the cursor pointer. X-Adrs and Y-Adrs are specified as follows.

X-Adrs 00h to 4Fh (lower 7 bits are valid)
Y-Adrs 00h to 1Fh (lower 5 bits are valid)

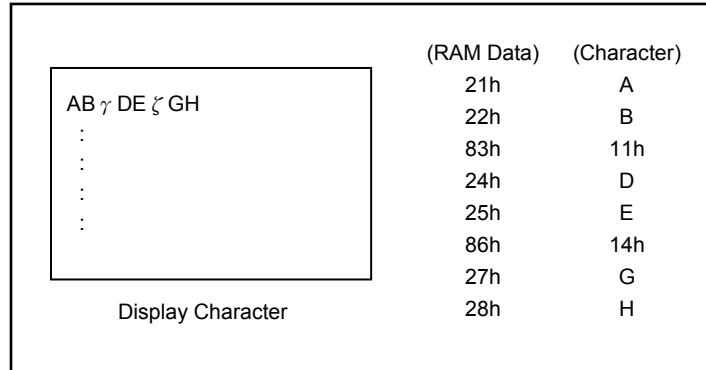
a) Single-Scan
X-Adrs 00h to 4Fh

Y-Adrs 00h to 0Fh

b) Dual-Scan
X-Adrs 00h to 4Fh

Y-Adrs 00h to 0Fh Upper Screen
Y-Adrs 10h to 1Fh Lower Screen

(Example 2) The relationship between Display RAM data and display characters



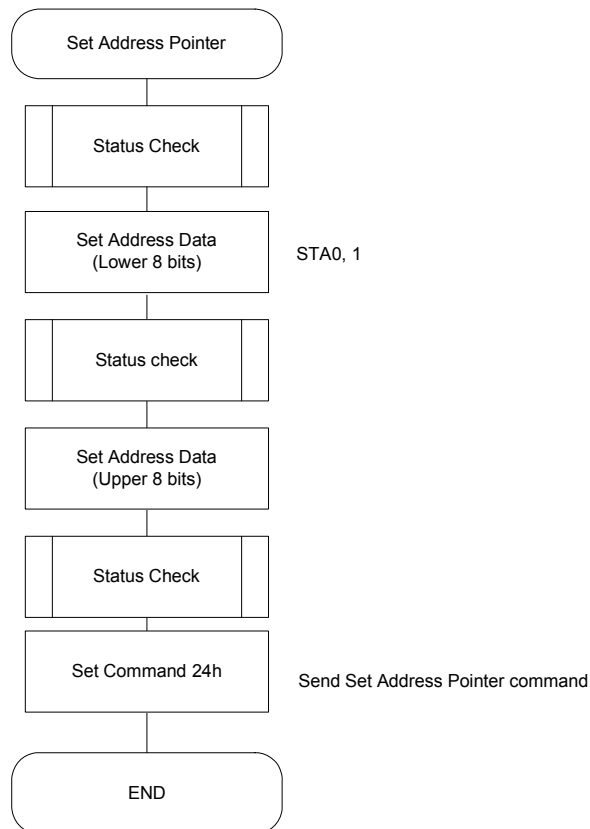
< Figure 6-5 >

The “γ” and “ζ” are displayed by character generator RAM.

6-6-3 Set Address Pointer

The Set Address Pointer command is used to indicate the start address for writing to (or reading from) External RAM.

The Flowchart for Set Address Pointer Command



< Figure 6-6 >

6-7 Set Control Word

< Table 6-7 >

Code	Hex.	Function	D1	D2
01000000	40h	Set Text Home Address	Low Address	High Address
01000001	41h	Set Text Area	Columns	00h
01000010	42h	Set Graphic Home Address	Low Address	High Address
01000011	43h	Set Graphic Area	Columns	00h

The home address and column size are defined by this command.

6-7-1 Set Text Home Address

The starting address in the external display RAM for text display is defined by this command. The text home address indicates the leftmost and uppermost position.

The Relationship between Display RAM Address and Display Position

< Table 6-8 >

TH	TH + CL
TH + TA	TH + TA + CL
(TH + TA) + TA	TH + 2TA + CL
(TH + 2TA) + TA	TH + 3TA + CL
⋮	⋮	⋮
⋮	⋮	⋮
⋮	⋮	⋮
TH + (n-1) TA	TH + (n-1) TA + CL

TH: Text home address
 TA: Text area number (columns)
 CL: Columns are fixed by hardware (pin-programmable).

(Example)

Text Home Address : 0000h
 Text Area : 0020h
 MD2=H, MD3=H : 32 Columns
 $\overline{\text{DUAL}}$ =H, MDS=L, MD0=L, MD1=H : 4 Lines

< Table 6-9 >

0000h	0001h	001Eh	001Fh
0020h	0021h	003Eh	002Fh
0040h	0041h	005Eh	005Fh
0060h	0061h	007Eh	007Fh

6-7-2 Set Graphic Home Address

The starting address of the external display RAM used for graphic display is defined by this command. The graphic home address indicates the leftmost and uppermost position.

The Relationship between External Display RAM Address and Display Position

< Table 6-10 >

GH	GH + CL
GH + GA	GH + GA + CL
(GH + GA) + GA	GH + 2GA + CL
(GH + 2GA) + GA	GH + 3GA + CL
⋮	⋮	⋮
⋮	⋮	⋮
⋮	⋮	⋮
⋮	⋮	⋮
GH + (n-1) GA	GH + (n-1) GA + CL

GH: Graphic Home Address

GA: Graphic Area Number (columns)

CL: Columns are fixed by hardware (pin-programmable).

(Example)

Graphic Home Address : 0000h
 Graphic Area : 0020h
 MD2=H, MD3=H : 32 columns
 DUAL =H, MDS=L, MD0=H, MD1=H : 2 lines

< Table 6-11 >

0000h	0001h	001Eh	001Fh
0020h	0021h	003Eh	003Fh
0040h	0041h	005Eh	005Fh
0060h	0061h	007Eh	007Fh
0080h	0081h	009Eh	009Fh
00A0h	00A1h	00BEh	00BFh
00C0h	00C1h	00DEh	00DFh
00E0h	00E1h	00FEh	00FFh
0100h	0101h	011Eh	011Fh
0120h	0121h	013Eh	013Fh
0140h	0141h	015Eh	015Fh
0160h	0161h	017Eh	017Fh
0180h	0181h	019Eh	019Fh
01A0h	01A1h	01BEh	01BFh
01C0h	01C1h	01DEh	01DFh
01E0h	01E1h	01FEh	01FFh

6-7-3 Set Text Area

The display columns are defined by the hardware setting. This command can be used adjust the columns of the display.

(Example)

LCD Size : 20 columns, 4 lines
 Text Home Address : 0000h
 Text Area : 0014h
 MD2=H, MD3=H : 32 columns
 DUAL =H , MDS =L, MD0= L, MD1=H : 4 lines

< Table 6-12 >

0000	0001	0013	0014	001F
0014	0015	0027	0028	0033
0028	0029	003B	003C	0047
003C	003D	004F	0050	005B



6-7-4 Set Graphic Area

The display columns are defined by the hardware setting. This command can be used to adjust the columns of the graphic display.

(Example)

LCD Size : 20 columns, 2 lines
 Graphic Home Address : 0000h
 Graphic Area : 0014h
 MD2=H, MD3=H : 32 columns
 $\overline{\text{DUAL}} = \text{H}$, MDS=L MD0=H, MD1=H : 2 lines

< Table 6-13 >

0000	0001	0013	0014	001F
0014	0015	0027	0028	0033
0028	0029	003B	003C	0047
003C	003D	004F	0050	005B
0050	0051	0063	0064	006F
0064	0065	0077	0078	0083
0078	0079	008B	008C	0097
008C	008D	009F	00A0	00AB
00A0	00A1	00B3	00B4	00BF
00B4	00B5	00C7	00C8	00D3
00C8	00C9	00DB	00DC	00E7
00DC	00DD	00EF	00F0	00FD
00F0	00F1	0103	0104	011F
0104	0105	0127	0128	0123
0128	0129	013B	013C	0147
013C	013D	014F	0150	015B



If the graphic area setting is set to match the desired number of columns on the LCD, the addressing scheme will be automatically modified so that the start address of each line equals the end address of the previous line +1.

6-8 Mode Set

< Table 6-14 >

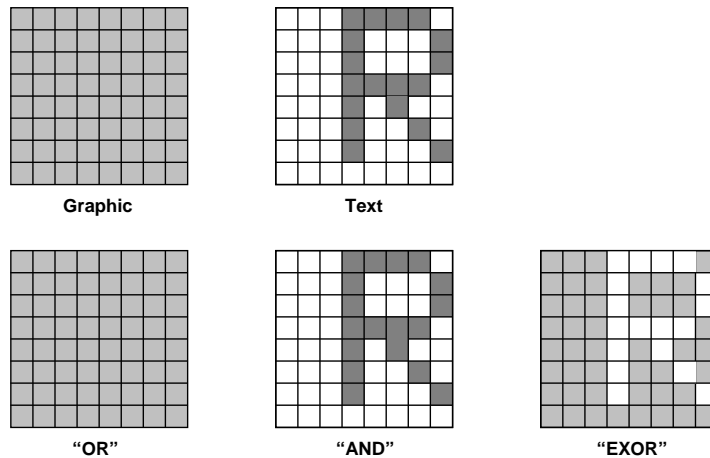
Code	Function	Operand
1000X000	OR Mode	—
1000X001	EXOR Mode	—
1000X011	AND Mode	—
1000X100	Text Attribute Mode	—
10000XXX	Internal Character Generator Mode	—
10001XXX	External Character Generator Mode	—

X: Invalid

The display mode is defined by this command. The display mode does not change until the next command is sent. The logical OR, EXOR, AND of text or graphic display can be displayed.

In internal Character Generator mode, character codes 00h to 7Fh are assigned to the built-in Character generator ROM. The character codes 80h to FFh are automatically assigned to the external character generator RAM.

(Example)



< Figure 6-7 >

Note: Attribute functions can only be applied to text display, since the attribute data is placed in the graphic RAM area.

Attribute Function

The attribute operations are Reverse display, Character blink, bold and Inhibit. The attribute data is written into the graphic area, which was defined by the Set Control word command. Only text display is possible in Attribute Function mode; graphic display is automatically disabled. However, the Display Mode command must be used to turn both Text and Graphic on that in order to for the Attribute function available.

The attribute data for each character in the text area is written to the same address in the graphic area.

The Attribute function is defined as follows.

Attribute RAM 1byte

X	X	X	X	d3	d2	d1	d0
---	---	---	---	----	----	----	----

X: Invalid

< Table 6-15 >

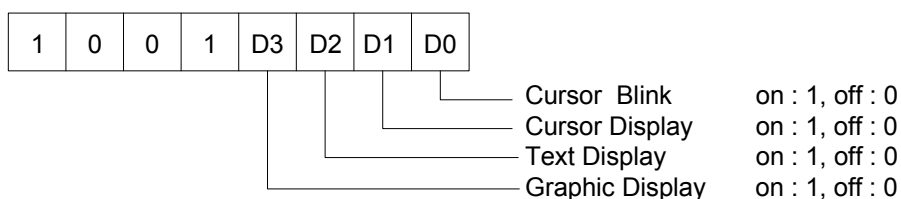
d3	d2	d1	d0	Function
0	0	0	0	Normal Display
0	1	0	1	Reverse Display
0	0	1	1	Inhibit Display
1	0	0	0	Blink of Normal Display
1	1	0	1	Blink of Reverse Display
1	0	1	1	Blink of Inhibit Display

6-9 Display Mode

< Table 6-16 >

Code	Function	Operand
10010000	Display off	—
1001XX10	Cursor on, Blink off	—
1001XX11	Cursor on, Blink on	—
100101XX	Text on, Graphic off	—
100110XX	Text off, Graphic on	—
100111XX	Text on, Graphic on	—

X: Invalid



Note: It is necessary to turn on “Text Display” and “Graphic Display” in the following cases.
 a) Combination of text /graphic display
 b) Attribute function

6-10 Cursor Pattern Select

< Table 6-17 >

Code	Function	Operand
10100000	1-line cursor	—
10100001	2-line cursor	—
10100010	3-line cursor	—
10100011	4-line cursor	—
10100100	5-line cursor	—
10100101	6-line cursor	—
10100110	7-line cursor	—
10100111	8-line cursor	—

When cursor display is ON, this command selects the cursor pattern in the range 1 line to 8 lines. The cursor address is defined by the Cursor Pointer Set command.

6-11 Data Auto Read/Write

< Table 6-18 >

Code	Hex.	Function	Operand
10110000	B0h	Set Data Auto Write	—
10110001	B1h	Set Data Auto Read	—
10110010	B2h	Auto Reset	—

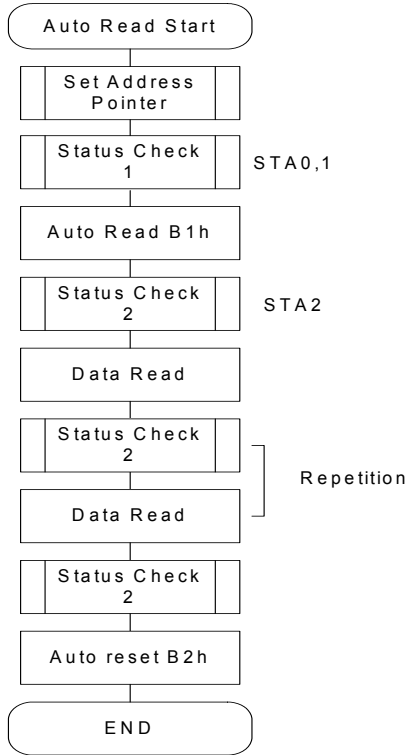
This command is convenient for sending a full screen of data from the external display RAM. After Setting Auto mode, a Data Write (or Read) command does not need sent between each datum. A Data Auto Write (or Read) command must be sent after a Set Address Pointer command. After this Command, the address pointer is automatically incremented by 1 after each datum. In Auto mode, the RA6963 cannot accept any other commands.

The Auto Reset command must be sent to the RA6963 after all data has been sent, to clear Auto Mode.

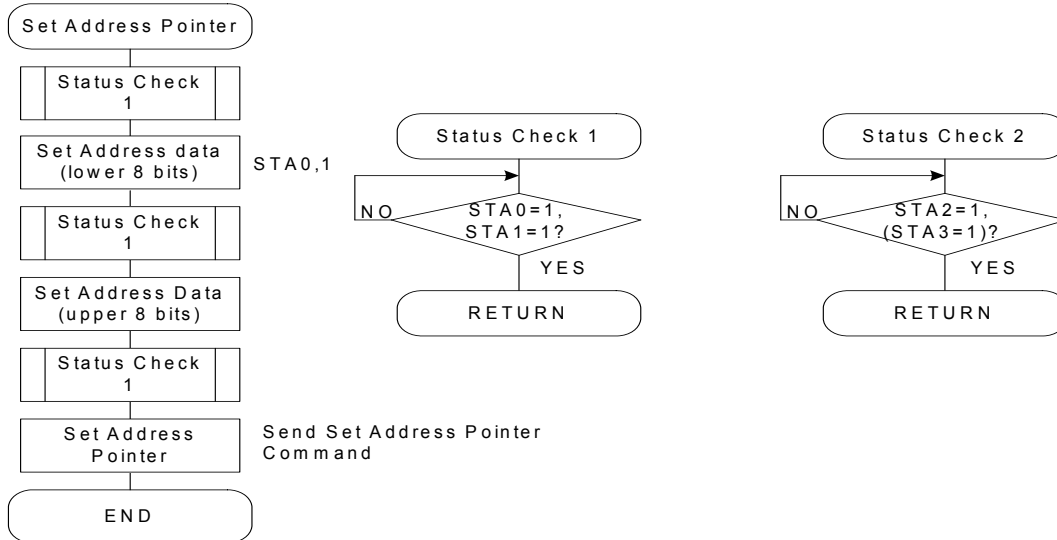
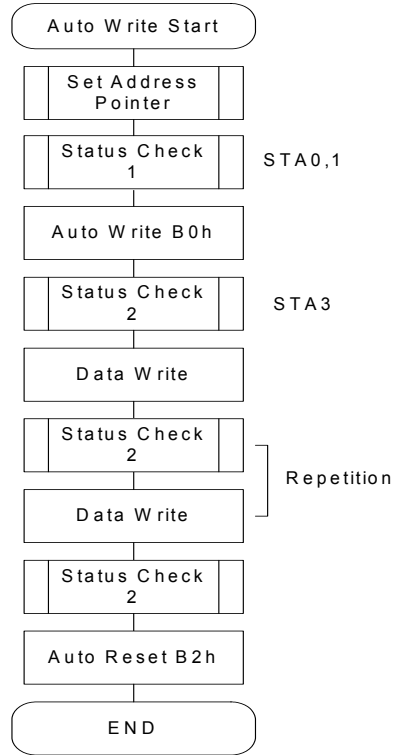
Note : A Status Check for Auto Mode

STA2, STA3 should be checked between sending of each datum. Auto Reset should be performed after checking STA3=1 (STA2=1). Refer to the following flowchart.

a) Auto Read mode



b) Auto Write mode



< Figure 6-8 >

6-12 Data Read/Write

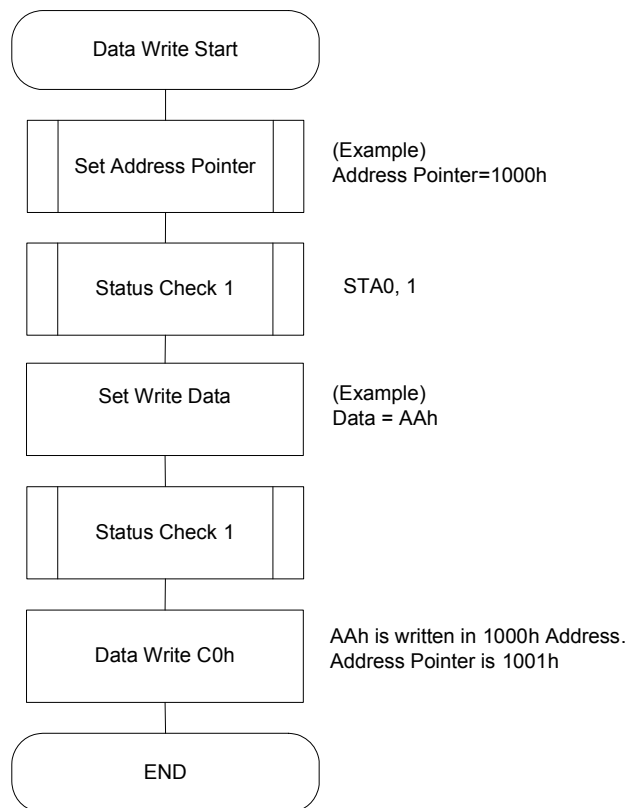
< Table 6-19 >

Code	Hex.	Function	Operand
11000000	C0h	Data Write and Increment ADP	Data
11000001	C1h	Data Read and Increment ADP	—
11000010	C2h	Data Write and Decrement ADP	Data
11000011	C3h	Data Read and Decrement ADP	—
11000100	C4h	Data Write and Non-variable ADP	Data
11000101	C5h	Data Read and Non-variable ADP	—

This command is used for writing data from the MPU to external display RAM, and reading data from external display RAM to the MPU. Data Write / Data Read should be executed after setting address using Set Address Pointer command, The address pointer can be automatically incremented or decremented using this command.

Note: This command is necessary for each 1-byte datum.

Refer to the following flowchart.



< Figure 6-9 >

6-13 Screen Peek

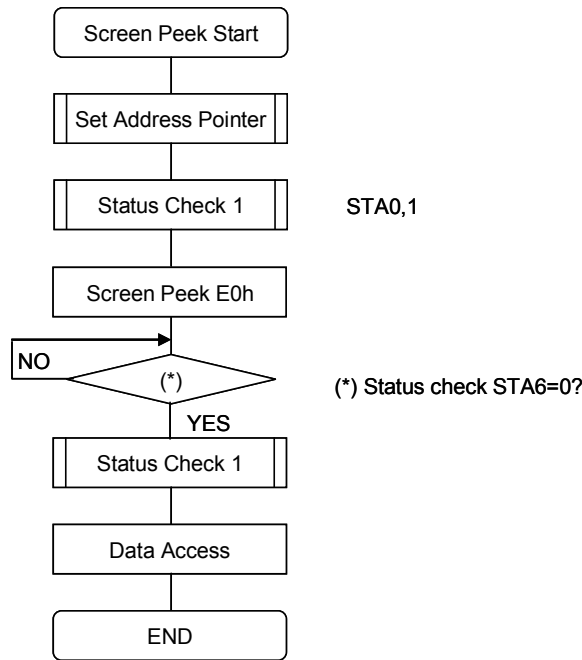
< Table 6-20 >

Code	Hex.	Function	Operand
11100000	E0h	Screen Peek	—

This command is used to transfer 1 byte of displayed data to the data stack; this byte can be read from the MPU by data access. The logical combination of text and graphic display data on the LCD screen can be read by this command.

The status (STA6) should be checked just after the Screen Peek command. If the address determined by the Set Address Pointer command is not in the graphic area, this command is ignored and a status flag (STA6) is set.

Refer to the following flowchart.



< Figure 6-10 >

Note: This command is available when hardware column number and software column number are the same. Hardware column number is related to MD2 and MD3 setting. Software column number is related to Set Text Area and Set Graphic Area command.

6-14 Screen Copy

< Table 6-21 >

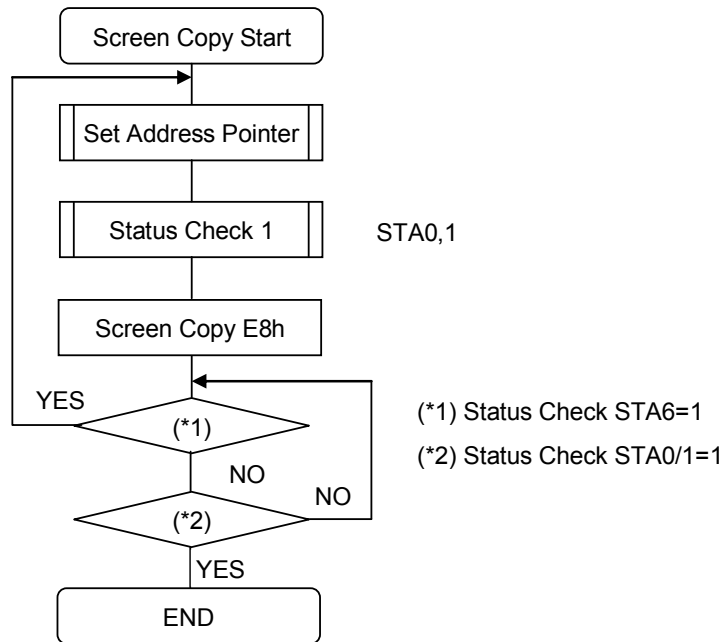
Code	Hex.	Function	Operand
11101000	E8h	Screen Copy	—

This command copies a single raster line of data to the graphic area. The start point must be set using the Set Address Pointer command.

Note 1: If the attribute function is being used, this command is not available. (With Attribute data is graphic area data.)

Note 2: With Dual-Scan, this command cannot be used (because the RA6963 cannot separate the upper screen data and lower screen data).

Refer to the following flowchart.



< Figure 6-11 >

Note : This command is available when hardware column number and software column number are the same. Hardware column number is related to MD2 and MD3 setting. Software column number is related to Set Text Area and Set Graphic Area command.

6-15 Bit Set/Reset

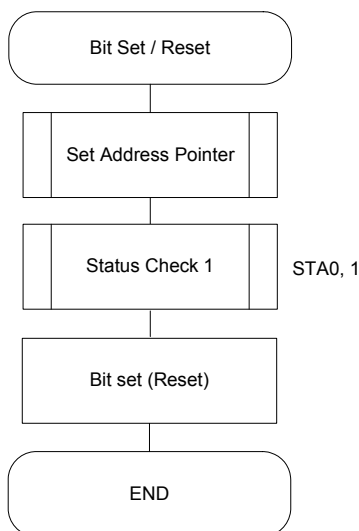
< Table 6-22 >

Code	Function	Operand
11110XXX	Bit Reset	—
11111XXX	Bit Set	—
1111X000	Bit 0 (LSB)	—
1111X001	Bit 1	—
1111X010	Bit 2	—
1111X011	Bit 3	—
1111X100	Bit 4	—
1111X101	Bit 5	—
1111X110	Bit 6	—
1111X111	Bit 7 (MSB)	—

X: Invalid

This command used to set or reset a bit of the byte specified by the address pointer. Only one bit can be set / reset at time.

Refer to following flowchart.



< Figure 6-12 >

6-16 Character Font Map

CGROM Font - 01

LSB \ MSB	0	1	2	3	4	5	6	7	8	9	A	B	C	D	E	F
0		!	"	#	\$	%	&	'	()	*	+	,	-	.	/
1	0	1	2	3	4	5	6	7	8	9	:	;	<	=	>	?
2	a	A	B	C	D	E	F	G	H	I	J	K	L	M	N	O
3	P	Q	R	S	T	U	V	W	X	Y	Z	[\]	^	_
4	`	a	b	c	d	e	f	g	h	i	j	k	l	m	n	o
5	p	q	r	s	t	u	v	w	x	y	z	{		}	~	
6	ü	û	ë	ä	å	ä	ä	ö	ë	ë	ë	ï	ï	ï	À	Á
7	É	æ	Æ	ø	ø	ø	ó	ó	ü	ö	ö	ø	ø	¥	℞	ƒ

< Figure 6-13 >

CGROM Font - 02

LSB \ MSB	0	1	2	3	4	5	6	7	8	9	A	B	C	D	E	F
0		!	"	#	\$	%	&	'	()	*	+	,	-	.	/
1	0	1	2	3	4	5	6	7	8	9	:	;	<	=	>	?
2	a	A	B	C	D	E	F	G	H	I	J	K	L	M	N	O
3	P	Q	R	S	T	U	V	W	X	Y	Z	[\]	^	_
4	千	万	月	夕	夕	■	ヲ	ア	イ	ウ	エ	オ	カ	ク	ケ	コ
5	一	ア	イ	ウ	エ	オ	カ	キ	ク	ケ	コ	サ	シ	ス	セ	ソ
6	タ	チ	ツ	テ	ト	ナ	ニ	ヌ	ネ	ノ	ヒ	フ	ヘ	ホ	マ	メ
7	ミ	ム	メ	モ	ヤ	ユ	ヨ	ラ	リ	ル	レ	ロ	ワ	ウ	エ	オ

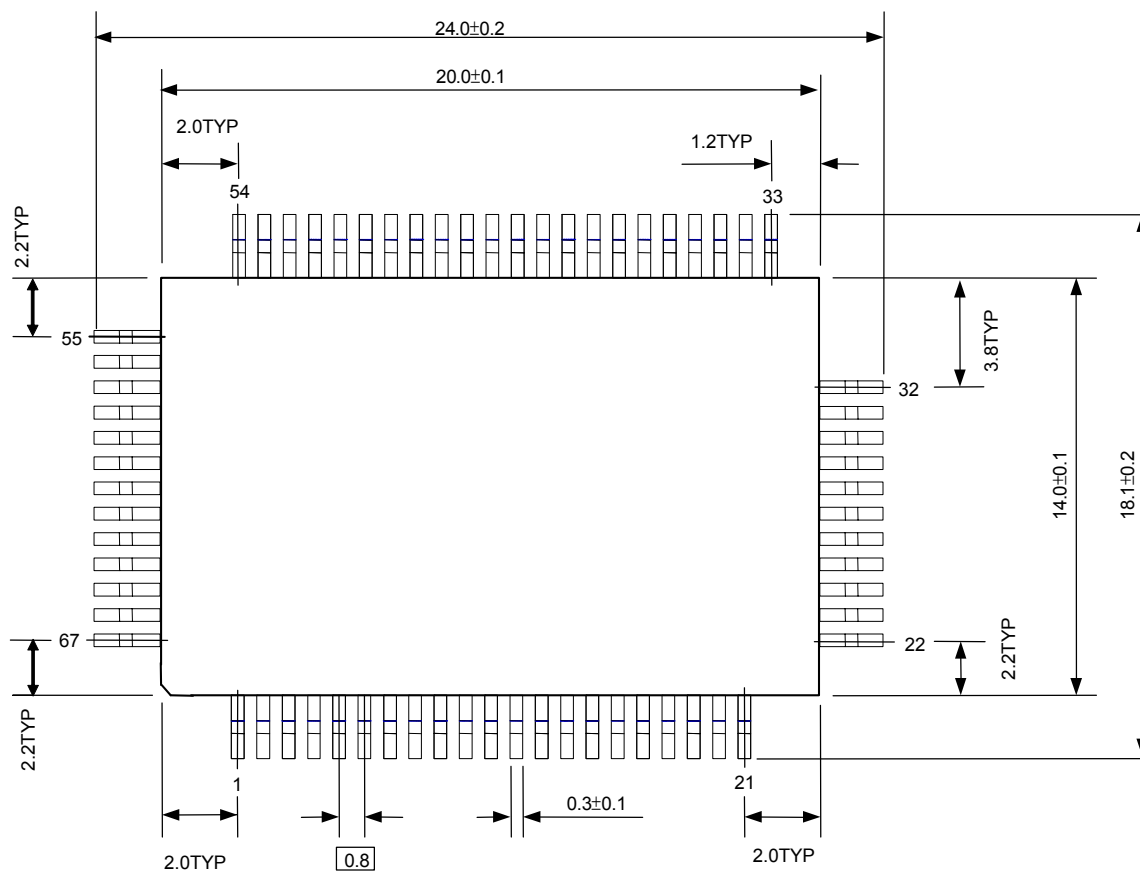
< Figure 6-14 >

The RA6963 has two part number - RA6963L2NA and RA6963L2NB. The RA6963L2NA is compatible to T6963C(code 0101) and the default font is Figure 6-13 as above. The RA6963L2NB is compatible to T6963C(code 0201) and the default font is Figure 6-14 as above.

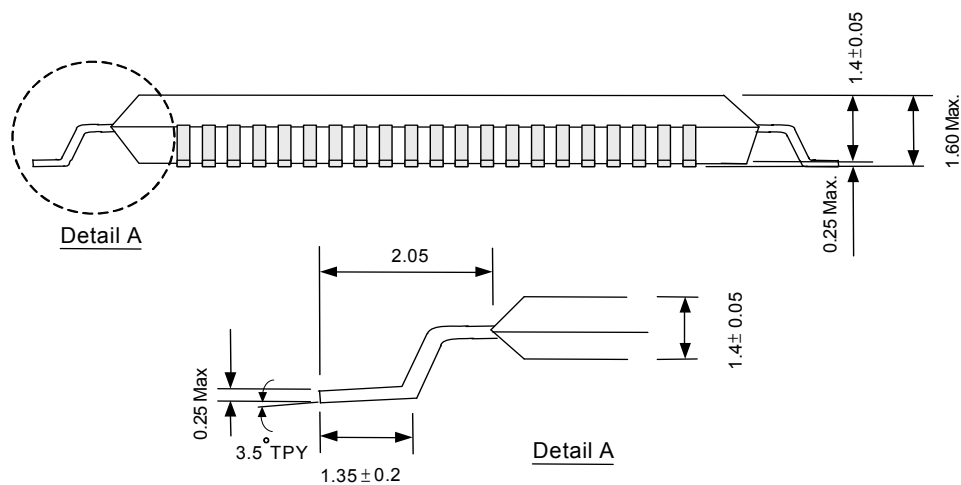
7. Package Dimensions

7-1 Outline Drawing

LQFP-67Pin



< Figure 7-1 >



< Figure 7-2 >

8. Specifications

8-1 Absolute Maximum Ratings

< Table 8-1 >

Ta=25°C

Parameter	Symbol	Rating	Unit
Supply Voltage Range	V _{DD} (Note 1)	-0.3 to +7.0	V
Input Voltage Range	V _{in} (Note 1)	-0.3 to V _{DD} +0.3	V
Operating Temperature Range	T _{op}	-30 to +85	°C
Storage Temperature Range	T _{stg}	-55 to +125	°C
Solder Temperature Range	T _{sdt} (Note 2)	400	°C

Note 1 : Gnd = 0V.

Note 2 : Solder Time = 8 Minutes.

< Table 8-2 >

(V_{DD}=5.5V±10%,GND=0V,Ta= -20 to +70°C)

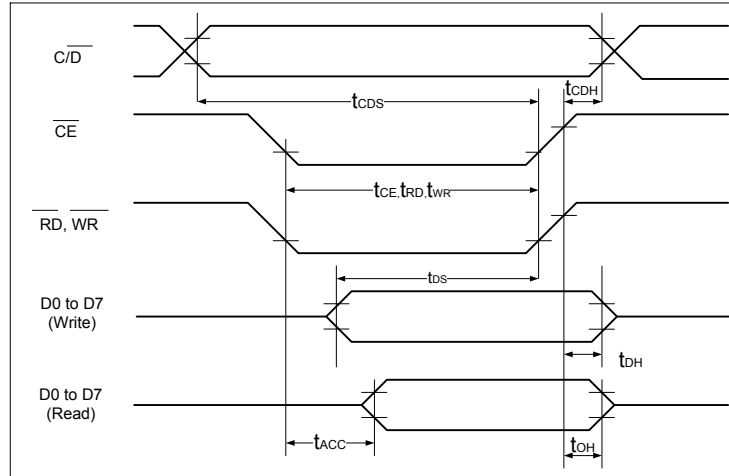
Item	Symbol	Test Conditions	Min.	Typ.	Max.	Unit	Pin Name	
Operating Voltage	V _{DD}	V _{DD}	--	4.5	5.0	5.5	V	VDD
Input	"H"	V _{IH}	--	0.8V _{DD}	--	V _{DD}	V	I/P
	"L"	V _{IL}	--	0	--	0.15V _{DD}	V	I/P
Output	"H"	V _{OH}	--	V _{DD} -0.3	--	V _{DD}	V	O/P
	"L"	V _{OL}	--	0	--	0.3	V	O/P
Output Resistance	"H"	R _{OH}	V _{OUT} =V _{DD} -0.5	--	--	400	Ω	O/P
	"L"	R _{OL}	V _{OUT} =0.5	--	--	400	Ω	O/P
Current Consumption	Operating	I _{DD}	V _{DD} =5.0V (Note 2) f _{OSC} =4.0MHz	--	3.0	5	mA	VDD
	Halt	I _{DD}	V _{DD} =5.0V	--	1	2	μA	VDD
Input Pull Up Resistance	RPU	--	50	100	300	KΩ	(Note 1)	
Operating Frequency	f _{OSC}	--	0.4	8	18	MHz		
Solder Temperature	T _{SdT}	(Note 3)	--	260	--	°C		

Note 1: Applied $\overline{\text{TEST}}[2:1], \overline{\text{RST}}$.

Note 2: MDS=L, MD[1:0]=LL, MD[3:2]=HH, FS[1:0]=LL, $\overline{\text{SDSEL}}=L, \overline{\text{DUAL}}=H, D[7:0]=LHLHLHLH$.

Note 3: Solder Time = 20~40 Seconds.

8-2 MPU Interface Timing



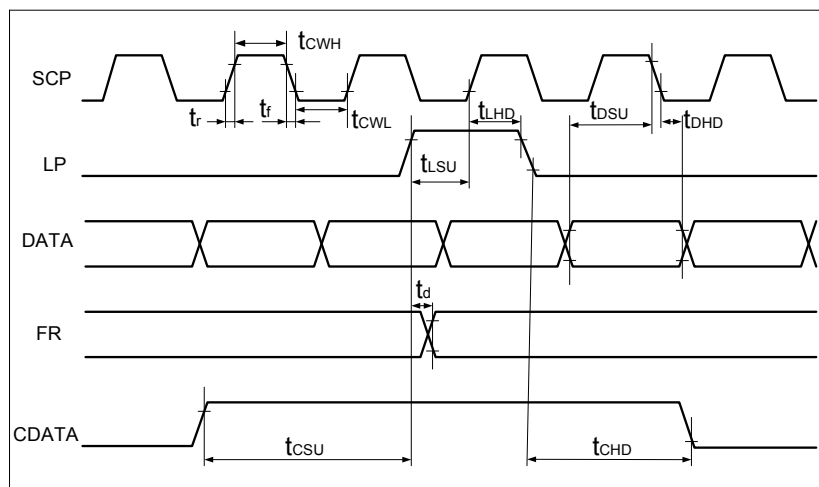
< Figure 8-1 >

< Table 8-3 >

($V_{DD}=+5V\pm 5\%$, $GND=0V$, $T_a = -20$ to $+70^\circ C$)

Item	Symbol	Test Conditions	Min.	Max.	Unit
C/D Set Up Time	t_{CDS}	--	100	--	ns
C/D Hold Time	t_{CDH}	--	10	--	ns
CE, RD, WR Pulse Width	t_{CE}, t_{RD}, t_{WR}	--	80	--	ns
Data Set Up Time	t_{DS}	--	80	--	ns
Data Hold Time	t_{DH}	--	40	--	ns
Access Time	t_{ACC}	--	--	150	ns
Output Hold Time	t_{OH}	--	10	50	ns

8-3 Driver Interface Timing



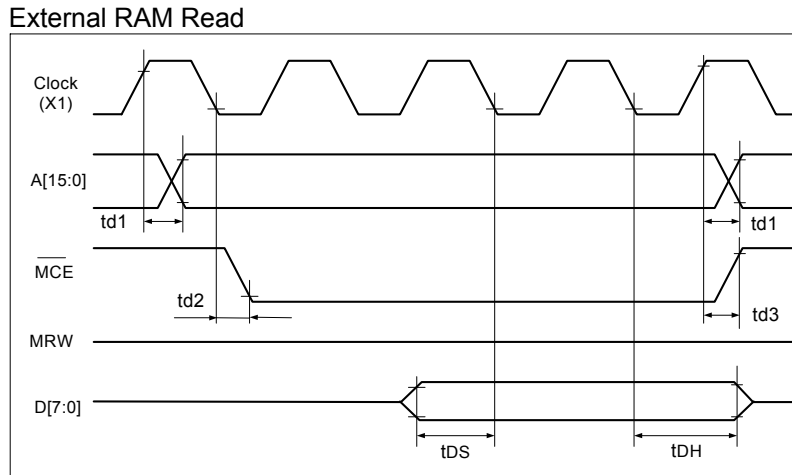
< Figure 8-2 >

< Table 8-4 >

($V_{DD}=+5V\pm 5\%$, $GND=0V$, $T_a = -20$ to $+70^\circ C$)

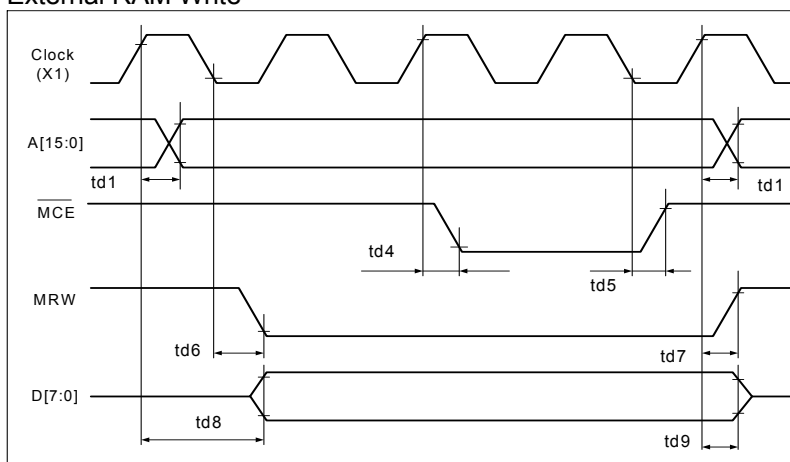
Item	Symbol	Test Conditions	Min.	Max.	Unit
Operating Frequency	f_{SCP}	$T_a = -20\sim 70^\circ C$	--	9	MHz
SCP Pulse Width	t_{CWH}, t_{CWL}	--	150	--	ns
SCP Rise/Fall Time	t_r, t_f	--	--	30	ns
LP Setup Time	t_{LSU}	--	150	290	ns
LP Hold Time	t_{LHD}	--	5	40	ns
Data Setup Time	t_{DSU}	--	170	--	ns
Data Hold Time	t_{DHD}	--	80	--	ns
FR Delay Time	t_d	--	0	90	ns
CDATA Setup Time	t_{CSU}	--	450	850	ns
CDATA Hold Time	t_{CHD}	--	450	950	ns

8-4 External Memory Interface



< Figure 8-3 >

External RAM Write



< Figure 8-4 >

< Table 8-5 >

($V_{DD}=+5V\pm 5\%$, $GND=0V$, $T_a = -20$ to $+70^\circ C$)

Item	Symbol	Test Conditions	Min.	Max.	Unit
Address Delay Time	t_{d1}	--	--	250	ns
\overline{MCE} Fall Delay Time(Read)	t_{d2}	--	--	180	ns
\overline{MCE} Rise Delay Time(Read)	t_{d3}	--	--	180	ns
Data Setup Time	t_{DS}	--	0	--	ns
Data Hold Time	t_{DH}	--	30	--	ns
\overline{MCE} Fall Delay Time(Write)	t_{d4}	--	--	200	ns
\overline{MCE} Rise Delay Time(Write)	t_{d5}	--	--	200	ns
MRW Fall Delay Time	t_{d6}	--	--	180	ns
MRW Rise Delay Time	t_{d7}	--	--	180	ns
Data Stable Time	t_{d8}	--	--	450	ns
Data Hold Time	t_{d9}	--	--	200	ns

9. Application

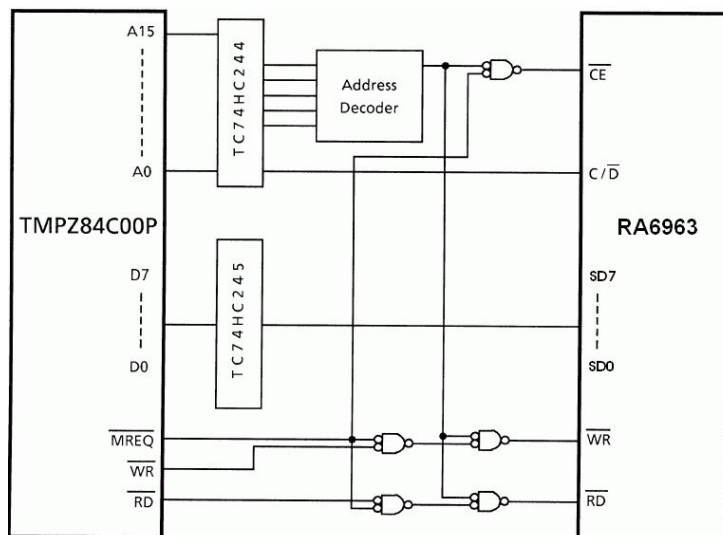
The RA6963 can be directly connected to Z80(Note 1) series MPU. The following applications are use a TMPZ84C00A to connect RA6963.

9-1 MPU Memory Address Mapping

Data is transferred to the RA6963 using a memory request signal.

< Table 9-1 >

	Address
DATA (I/O)	XXXXh
Command/Status	XXXX + 1h



< Figure 9-1 >

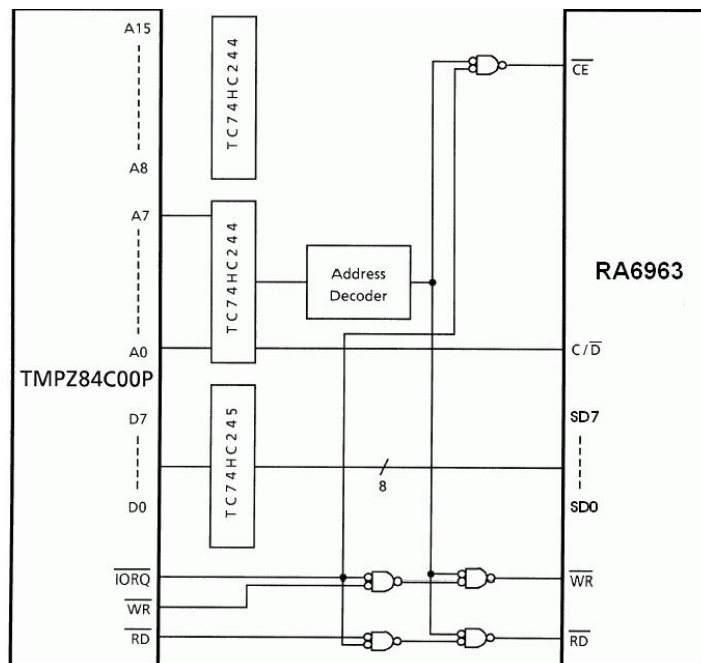
Note 1: Z80 is a trademark of Zilog Inc.

9-2 MPU I/O Addressing

Data is transferred to the RA6963 using an I/O request signal.

< Table 9-2 >

	I/O Address
DATA	XXh
Command / Status	XX + 1h



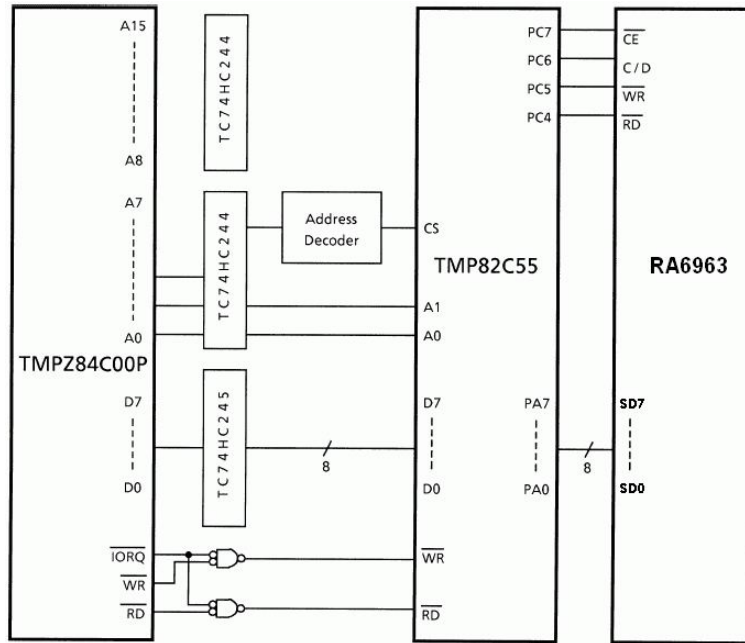
< Figure 9-2 >

9-3 Use PPI LSI

The RA6963 can be connected to a PPI LSI.

The port A connects to the data bus.

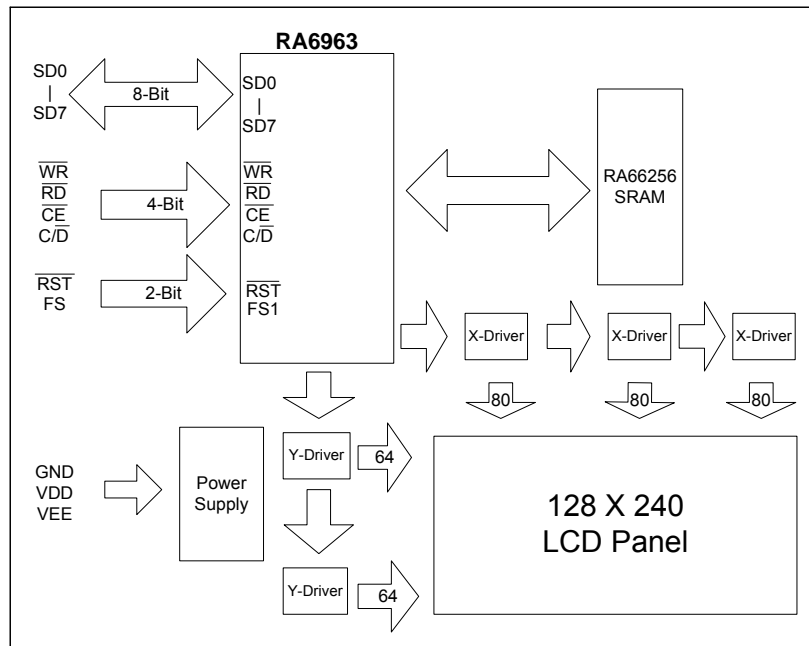
The port C connects to the control bus. ($\overline{C/D}$, \overline{CE} , \overline{WR} , \overline{RD})



< Figure 9-3 >

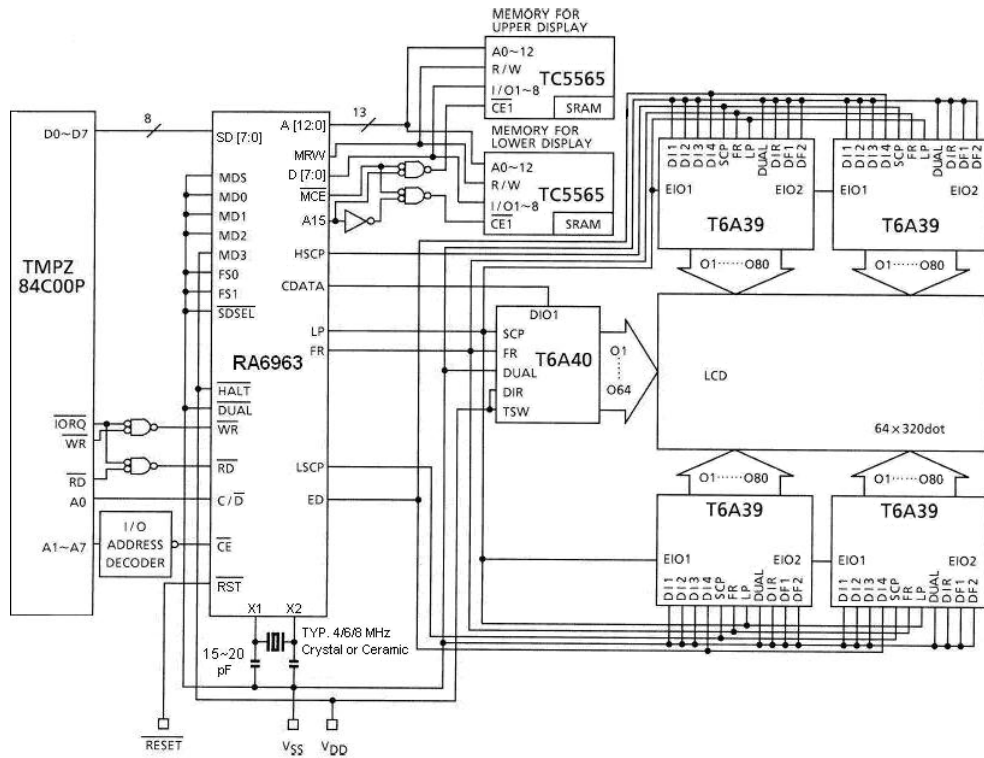
9-4 Application Block Diagram

All LCD require two power sources, VDD for logic circuits and VEE for Liquid Crystal (LC) drive. Some graphics LCD modules will run directly of a single VDD supply by generating the VEE voltage on-board; others will require an external DC-DC converter to generate the negative VEE voltage. Refer to individual specifications for details.



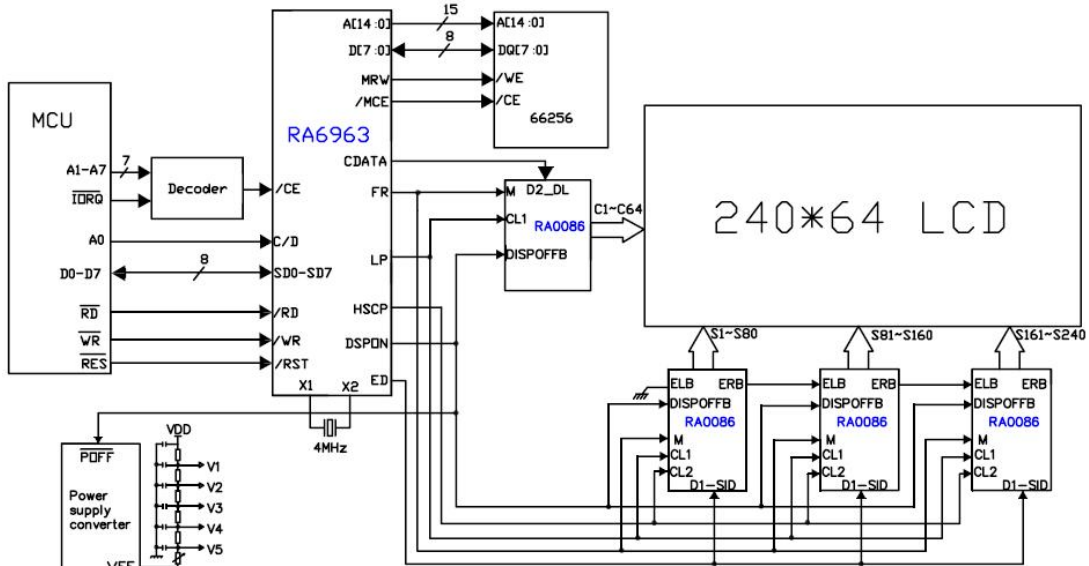
< Figure 9-4 >

9-5 Application Circuit (1)



< Figure 9-5 >

9-6 Application Circuit (2)



< Figure 9-6 >

