

# **SSD1683A**

## ***Advance Information***

**400 Source x 300 Gate Red/Black/White  
Active Matrix EPD Display Driver with Controller**

This document contains information on a new product. Specifications and information herein are subject to change without notice.

<http://www.solomon-systech.com>

**SSD1683A**

Rev 1.1

P 1/50

Mar 2023

Copyright © 2023 Solomon Systech Limited

## Appendix: IC Revision history of SSD1683A Specification

<b>Version</b>	<b>Change Items</b>	<b>Effective Date</b>
1.0	Initial release	13-Feb-2023
1.1	Removed "Deep sleep mode1" (Page 25 and Page 44)	13-Mar-2023

# CONTENTS

<b>1</b>	<b>GENERAL DESCRIPTION.....</b>	<b>5</b>
<b>2</b>	<b>FEATURES.....</b>	<b>5</b>
<b>3</b>	<b>ORDERING INFORMATION .....</b>	<b>6</b>
<b>4</b>	<b>BLOCK DIAGRAM .....</b>	<b>6</b>
<b>5</b>	<b>PIN DESCRIPTION .....</b>	<b>7</b>
<b>6</b>	<b>FUNCTIONAL BLOCK DESCRIPTION.....</b>	<b>10</b>
6.1	MCU INTERFACE .....	10
6.1.1	MCU INTERFACE SELECTION.....	10
6.1.2	MCU SERIAL INTERFACE (4-WIRE SPI).....	10
6.1.3	MCU SERIAL PERIPHERAL INTERFACE (3-WIRE SPI) .....	11
6.2	OSCILLATOR .....	12
6.3	BOOSTER & REGULATOR.....	12
6.4	VCOM SENSING .....	12
6.5	RAM.....	13
6.6	PROGRAMMABLE WAVEFORM FOR GATE, SOURCE AND VCOM.....	13
6.7	WAVEFORM SETTING .....	16
6.8	TEMPERATURE SEARCHING.....	18
6.8.1	INTERNAL TEMPERATURE SENSOR.....	18
6.8.2	EXTERNAL TEMPERATURE SENSOR I2C SINGLE MASTER INTERFACE .....	18
6.8.3	FORMAT OF TEMPERATURE VALUE .....	18
6.9	WAVEFORM SETTING SEARCHING MECHANISM.....	19
6.10	ONE TIME PROGRAMMABLE (OTP) MEMORY.....	20
6.11	THE FORMAT FOR TEMPERATURE RANGE (TR) .....	20
6.12	CASCADE MODE .....	21
6.13	VCI DETECTION.....	21
6.14	HV READY DETECTION .....	21
<b>7</b>	<b>COMMAND TABLE .....</b>	<b>22</b>
<b>8</b>	<b>COMMAND DESCRIPTION.....</b>	<b>37</b>
8.1	DRIVER OUTPUT CONTROL (01H) .....	37
8.2	DATA ENTRY MODE SETTING (11H) .....	39
8.3	SET RAM X - ADDRESS START / END POSITION (44H).....	40
8.4	SET RAM Y - ADDRESS START / END POSITION (45H).....	40
8.5	SET RAM ADDRESS COUNTER (4EH-4FH).....	40
<b>9</b>	<b>OPERATION FLOW AND CODE SEQUENCE .....</b>	<b>41</b>
9.1	SSD1683A OPERATION FLOW TO DRIVE DISPLAY PANEL WITH POWER ON/OFF .....	41
9.2	SSD1683A OPERATION FLOW TO ENTER DEEP SLEEP MODE 2 AFTER DISPLAY UPDATE .....	42
<b>10</b>	<b>ABSOLUTE MAXIMUM RATING .....</b>	<b>43</b>
<b>11</b>	<b>ELECTRICAL CHARACTERISTICS.....</b>	<b>43</b>
<b>12</b>	<b>AC CHARACTERISTICS .....</b>	<b>45</b>
12.1	SERIAL PERIPHERAL INTERFACE .....	45
<b>13</b>	<b>APPLICATION CIRCUIT.....</b>	<b>47</b>
<b>14</b>	<b>PACKAGE INFORMATION .....</b>	<b>48</b>
14.1	DIE TRAY DIMENSIONS FOR SSD1683AZ2 (FACE-UP).....	48
14.2	DIE TRAY DIMENSIONS FOR SSD1683AZA (FACE-DOWN) .....	49

## TABLES

TABLE 3-1 : ORDERING INFORMATION .....	6
TABLE 5-1: POWER SUPPLY PINS .....	7
TABLE 5-2: INTERFACE LOGIC PINS.....	8
TABLE 5-3: ANALOG PINS.....	9
TABLE 5-4: DRIVER OUTPUT PINS.....	9
TABLE 5-5: MISCELLANEOUS PINS .....	9
TABLE 6-1 : INTERFACE PINS ASSIGNMENT UNDER DIFFERENT MCU INTERFACE .....	10
TABLE 6-2 : CONTROL PINS STATUS OF 4-WIRE SPI .....	10
TABLE 6-3 : CONTROL PINS STATUS OF 3-WIRE SPI .....	11
TABLE 6-4 : RAM BIT AND LUT MAPPING FOR 3-COLOR DISPLAY .....	13
TABLE 6-5 : RAM BIT AND LUT MAPPING FOR BLACK/WHITE DISPLAY .....	13
TABLE 6-6 : VS[NX-LUTM] SETTINGS FOR SOURCE VOLTAGE AND VCOM VOLTAGE .....	14
TABLE 6-7 : FR SETTINGS FOR FRAME RATE SELECTION .....	15
TABLE 6-8 : EXAMPLE OF 8-BIT BINARY TEMPERATURE SETTINGS FOR TEMPERATURE RANGES .....	18
TABLE 6-9 : EXAMPLE OF WAVEFORM SETTINGS SELECTION BASED ON TEMPERATURE RANGES. ....	19
TABLE 7-1: COMMAND TABLE .....	22
TABLE 10-1 : MAXIMUM RATINGS .....	43
TABLE 11-1: DC CHARACTERISTICS.....	43
TABLE 11-2: REGULATORS CHARACTERISTICS .....	44
TABLE 12-1 : SERIAL PERIPHERAL INTERFACE TIMING CHARACTERISTICS .....	45
TABLE 13-1: COMPONENT LIST FOR SSD1683A APPLICATION CIRCUIT.....	47

## FIGURES

FIGURE 4-1 : SSD1683A BLOCK DIAGRAM.....	6
FIGURE 6-1 : WRITE PROCEDURE IN 4-WIRE SPI MODE .....	10
FIGURE 6-2 : READ PROCEDURE IN 4-WIRE SPI MODE .....	11
FIGURE 6-3 : WRITE PROCEDURE IN 3-WIRE SPI .....	11
FIGURE 6-4 : READ PROCEDURE IN 3-WIRE SPI MODE .....	12
FIGURE 6-5 : PROGRAMMABLE DRIVING WAVEFORM ILLUSTRATION .....	13
FIGURE 6-6 : WAVEFORM SETTING FORMAT FOR 3-COLOR MODE .....	16
FIGURE 6-7 : WAVEFORM SETTING FORMAT FOR BLACK/WHITE MODE.....	17
FIGURE 6-8 : THE WAVEFORM SETTING MAPPING IN OTP FOR WAVEFORM SETTING AND TEMPERATURE RANGE ..	20
<b>FIGURE 6-9 : FORMAT OF TEMPERATURE RANGE (TR) IN OTP .....</b>	<b>20</b>
FIGURE 8-1: OUTPUT PIN ASSIGNMENT ON DIFFERENT SCAN MODE SETTING.....	38
<b>FIGURE 9-1: OPERATION FLOW TO DRIVE DISPLAY PANEL POWER ON/OFF .....</b>	<b>41</b>
<b>FIGURE 9-2: OPERATION FLOW TO ENTER DEEP SLEEP MODE 2 AFTER DISPLAY UPDATE .....</b>	<b>42</b>
FIGURE 12-1: 3 PIN SERIAL INTERFACE CHARACTERISTICS (WRITE MODE) .....	45
FIGURE 12-2: 3 PIN SERIAL INTERFACE CHARACTERISTICS (READ MODE) .....	45
FIGURE 12-3: 4 PIN SERIAL INTERFACE CHARACTERISTICS (WRITE MODE) .....	46
FIGURE 12-4: 4 PIN SERIAL INTERFACE CHARACTERISTICS (READ MODE) .....	46
FIGURE 13-1: SCHEMATIC OF SSD1683A APPLICATION CIRCUIT.....	47
FIGURE 14-1 : SSD1683AZ2 DIE TRAY INFORMATION .....	48
FIGURE 14-2 : SSD1683AZA DIE TRAY INFORMATION (UNIT: MM) .....	49

## 1 GENERAL DESCRIPTION

SSD1683A is an Active Matrix EPD display driver with controller for Red/Black/White EPD displays.

It consists of 400 source outputs, 300 gate outputs, 1 VCOM and 1VBD (for border), which can support displays with resolution up to 400x 300.

In the SSD1683A, data and commands are sent from MCU through hardware selectable serial peripheral interface. It has embedded booster, regulator and oscillator which is suitable for EPD display applications.

## 2 FEATURES

- Design for dot matrix type active matrix EPD display, support Red/Black/White colour
- Resolution: 400 source outputs, 300 gate outputs, 1 VCOM and 1VBD (for border)
- Power supply:
  - VCI: 2.3 to 3.7V
  - VDDIO: Connect to VCI
- On chip display RAM
  - Mono B/W: 400x300 bits
  - Mono Red: 400x300 bits
- On-chip booster and regulator for generating VCOM, Gate and Source driving voltage
- Gate driving output voltage: 2-level outputs (VGH, VGL), Max 40Vp-p
  - VGH: 10V to 20V (Voltage adjustment step: 500mV)
  - VGL: -VGH (Voltage adjustment step: 500mV)
- Source driving output voltage: 4-levels outputs (VSH1, VSH2, VSS and VSL)
  - VSH1: 8.6V to 17V (Voltage adjustment step: 200mV)
  - VSH2: 2.4V to 17V (Voltage adjustment step: 100mV for 2.4V to 8.6V, 200mV for 8.8V to 17V)
  - VSL: -5V to -17V (Voltage adjustment step: 500mV)
- VCOM output voltage
  - DCVCOM: -3.0V to -0.2V in 100mV resolution
  - ACVCOM: 3-level outputs (VSH1+DCVCOM, DCVCOM, VSL+DCVCOM)
- On-chip oscillator, adjustable frame rate from 25Hz to 125Hz
  - Programmable output Waveform for 3-color mode and black/white mode:
    - 4 LUTs for 3-color mode
    - 5 LUTs for black/white mod
- Embedded OTP to store 24 sets of waveform setting and temperature range, color mode selection, 4-byte waveform version, 10-byte User ID and initial code setting
- External or internal generated voltage for burning OTP
- Built-in CRC checking method for RAM content and WS & TR in OTP
- VCI low voltage detection
- Driving voltage ready detection
- Support display partial update
- Auto write RAM command for regular patterns
- Internal Temperature Sensor of +/-2degC accuracy from -25degC to 50degC
- I2C single master interface to communicate with external temperature sensor
- MCU interface: 4-wire or 3-wire Serial peripheral interface (maximum SPI write speed 20MHz)
- Available in COG package

### 3 ORDERING INFORMATION

Table 3-1 : Ordering Information

Ordering Part Number	Package Form	Remark
SSD1683AZ2	Gold Bump Die	Bump Face Up On Waffle pack Die thickness: 300um Bump height: 9um
SSD1683AZA	Gold Bump Die	Bump Face Down On Waffle pack Die thickness: 300um Bump height: 9um

### 4 BLOCK DIAGRAM

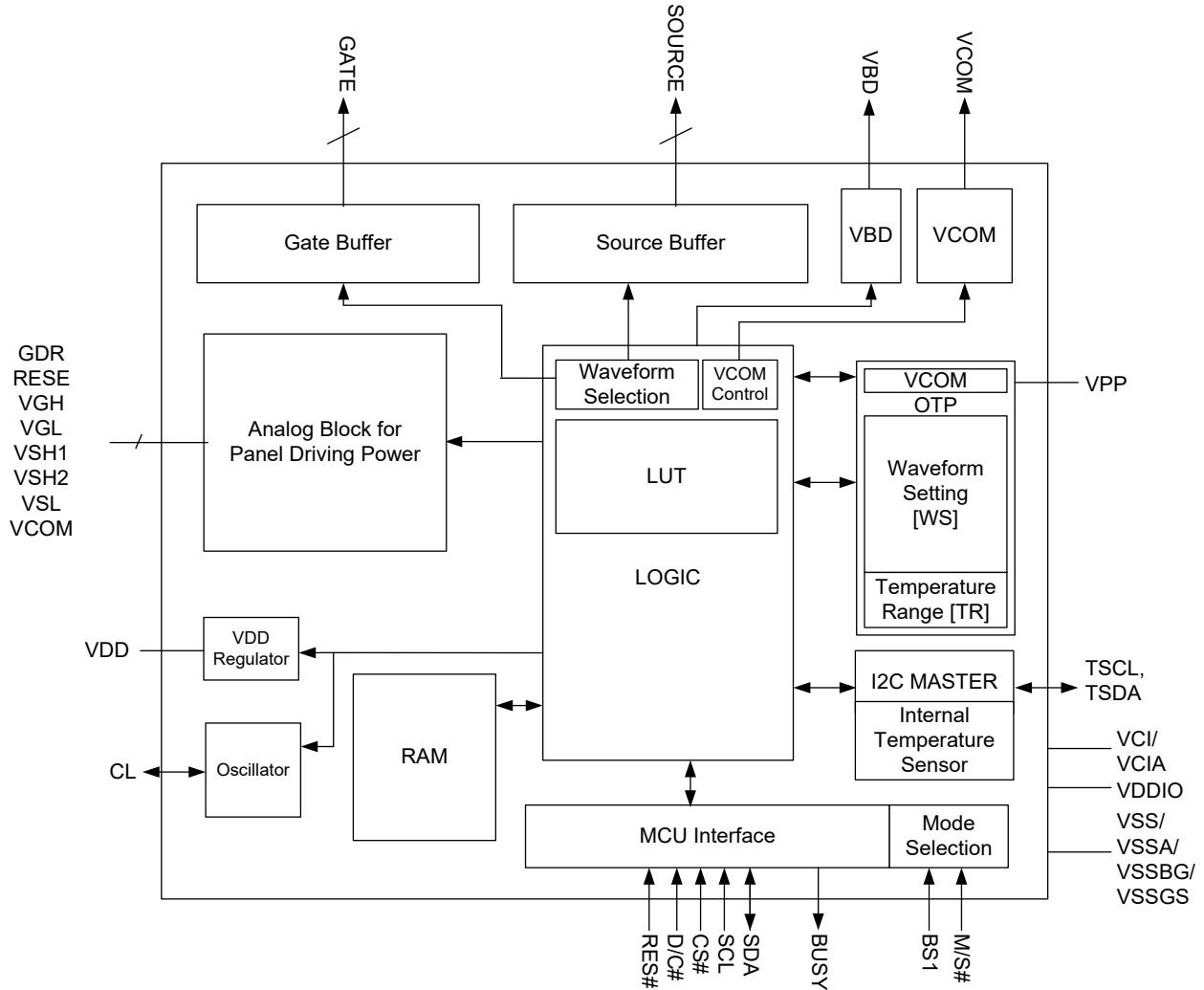


Figure 4-1 : SSD1683A Block Diagram

## 5 PIN DESCRIPTION

### Key:

I = Input

O =Output

IO = Bi-directional (input/output)

P = Power pin

C = Capacitor Pin

NC = Not Connected

**Table 5-1: Power Supply Pins**

Name	Type	Connect to	Function	Description	When not in use
VCI	P	Power Supply	Power Supply	Power input pin for the chip.	-
VCIA	P	Power Supply	Power Supply	Power input pin for the chip. - Connect to VCI in the application circuit.	-
VDDIO	P	Power Supply	Power for interface logic pins	Power input pin for the Interface. - Connect to VCI in the application circuit.	-
VDD	P	Capacitor	Regulator output	Core logic power pin VDD can be regulated internally from VCI.  A capacitor should be connected between VDD and VSS under all circumstances.	-
VSS	P	VSS	GND	Ground (Digital).	-
VSSA	P	VSS	GND	Ground (Analog) - Connect to VSS in the application circuit.	-
VSSBG	P	VSS	GND	Ground (Reference) pin. - Connect to VSS in the application circuit.	-
VSSGS	P	VSS	GND	Ground (Output) pin. - Connect to VSS in the application circuit.	-
VPP	P	Power Supply	OTP power	Power Supply for OTP Programming.	Open

**Table 5-2: Interface Logic Pins**

Name	Type	Connect to	Function	Description	When not in use						
SCL	I	MPU	Data Bus	This pin is serial clock pin for interface. Refer to MCU interface in Section 6.1.	-						
SDA	I/O	MPU	Data Bus	This pin is serial data pin for interface. Refer to MCU interface in Section 6.1.	-						
CS#	I	MPU	Logic Control	This pin is the chip select input connecting to the MCU. Refer to MCU interface in Section 6.1.	VDDIO or VSS						
D/C#	I	MPU	Logic Control	This pin is Data/Command control pin connecting to the MCU. Refer to MCU interface in Section 6.1.	VDDIO or VSS						
RES#	I	MPU	System Reset	This pin is reset signal input. Active Low.	-						
BUSY	O	MPU	Device Busy Signal	This pin is Busy state output pin. When Busy is High, the operation of the chip should not be interrupted, and command should not be sent. For example., The chip would output Busy pin as High when - Outputting display waveform; or - Programming with OTP - Communicating with digital temperature sensor	Open						
M/S#	I	VDDIO/VSS	Cascade Mode Selection	This pin is Master and Slave selection pin. - For the single chip application, the M/S# pin should be connected to VDDIO. - In the cascade mode: For Master Chip, the M/S# pin should be connected to VDDIO. For Slave Chip, the M/S# pin should be connected to VSS. The oscillator, booster and regulator circuits of the slave chip will be disabled. The corresponding pins including CL, VDD, VDDIO, VGH, VGL, VSH1, VSH2, VSL and VCOM must be connected to the master chip.	-						
CL	I/O	NC	Clock signal	This pin is the clock signal pin. - For the single chip application, the CL pin should be left open. - In the cascade mode, the CL pin of the slave chip should be connected to the CL pin of the master chip.	-						
BS1	I	VDDIO/VSS	MCU Interface Mode Selection	This pin is for selecting 3-wire or 4-wire SPI bus. <table border="1" data-bbox="778 1464 1251 1563"> <thead> <tr> <th>BS1</th> <th>MCU Interface</th> </tr> </thead> <tbody> <tr> <td>L</td> <td>4-wire SPI</td> </tr> <tr> <td>H</td> <td>3-wire SPI (9-bit SPI)</td> </tr> </tbody> </table>	BS1	MCU Interface	L	4-wire SPI	H	3-wire SPI (9-bit SPI)	-
BS1	MCU Interface										
L	4-wire SPI										
H	3-wire SPI (9-bit SPI)										
TSDA	I/O	Temperature sensor SDA	Interface to Digital Temp. Sensor	This pin is I <sup>2</sup> C Interface to digital temperature sensor Data pin. External pull up resistor is required when connecting to I <sup>2</sup> C slave.	VSS						
TSCL	O	Temperature sensor SCL	Interface to Digital Temp. Sensor	This pin is I <sup>2</sup> C Interface to digital temperature sensor Clock pin. External pull up resistor is required when connecting to I <sup>2</sup> C slave.	VSS						

**Table 5-3: Analog Pins**

Name	Type	Connect to	Function	Description	When not in use
GDR	O	POWER MOSFET Driver Control	VGH, VGL Generation	This pin is N-Channel MOSFET gate drive control pin.	-
RESE	I	Booster Control Input		This pin is Current sense input pin for the control Loop.	-
VGH	C	Stabilizing capacitor		This pin is Positive Gate driving voltage. Connect a stabilizing capacitor between VGH and VSS in the application circuit.	-
VGL	C	Stabilizing capacitor		This pin is Negative Gate driving voltage. Connect a stabilizing capacitor between VGL and VSS in the application circuit.	-
VSH1	C	Stabilizing capacitor	VSH1, VSH2, VSL Generation	This pin is Positive Source driving voltage, VSH1 Connect a stabilizing capacitor between VSH1 and VSS in the application circuit.	-
VSH2	C	Stabilizing capacitor		This pin is Positive Source driving voltage, VSH2 Connect a stabilizing capacitor between VSH2 and VSS in the application circuit.	-
VSL	C	Stabilizing capacitor		This pin is Negative Source driving voltage. Connect a stabilizing capacitor between VSL and VSS in the application circuit.	-
VCOM	C	Panel/ Stabilizing capacitor	VCOM Generation	This pins is VCOM driving voltage Connect a stabilizing capacitor between VCOM and VSS in the application circuit.	-

**Table 5-4: Driver Output Pins**

Name	Type	Connect to	Function	Description	When not in use
S [399:0]	O	Panel	Source driving signal	Source output pin.	Open
G [299:0]	O	Panel	Gate driving signal	Gate output pin.	Open
VBD	O	Panel	Border driving signal	Border output pin.	Open

**Table 5-5: Miscellaneous Pins**

Name	Type	Connect to	Function	Description	When not in use
NC	NC	NC	Not Connected	This is dummy pin. It should not be connected with other NC pins.	Open
RSV	NC	NC	Reserved	This is a reserved pin and should be kept open.	Open
TPA, TPB, TPC, TPD, TPF, FB	NC	NC	Reserved for Testing	Reserved pins. - Keep open. - Do not connect to other NC pins and test pins including TPA, TPB, TPC, TPD, TPF, TIN and FB.	Open
TIN	I	TPE	Reserved for Testing	This is a reserved pin and should be connected to TPE pin	VSS/VDDIO
TPE	O	TIN	Reserved for Testing	This is a reserved pin and should be connected to TIN pin	Open

## 6 Functional Block Description

### 6.1 MCU Interface

#### 6.1.1 MCU Interface selection

The SSD1683A can support 3-wire/4-wire serial peripheral. MCU interface is pin selectable by BS1 shown in Table 6-1.

Table 6-1 : Interface pins assignment under different MCU interface

MCU Interface	Pin Name					
	BS1	RES#	CS#	D/C#	SCL	SDA
4-wire serial peripheral interface (SPI)	L	RES#	CS#	DC#	SCL	SDA
3-wire serial peripheral interface (SPI) – 9 bits SPI	H	RES#	CS#	L	SCL	SDA

#### Note

(1) L is connected to  $V_{SS}$  and H is connected to  $V_{DDIO}$

#### 6.1.2 MCU Serial Interface (4-wire SPI)

The 4-wire SPI consists of serial clock SCL, serial data SDA, D/C# and CS#. The control pins status in 4-wire SPI in writing command/data is shown in Table 6-2 and the write procedure 4-wire SPI is shown in Table 6-2

Table 6-2 : Control pins status of 4-wire SPI

Function	SCL pin	SDA pin	D/C# pin	CS# pin
Write command	↑	Command bit	L	L
Write data	↑	Data bit	H	L

#### Note:

- (1) L is connected to  $V_{SS}$  and H is connected to  $V_{DDIO}$
- (2) ↑ stands for rising edge of signal
- (3) SDA (Write Mode) is shifted into an 8-bit shift register on every rising edge of SCL in the order of D7, D6, ... D0. The level of D/C# should be kept over the whole byte. The data byte in the shift register is written to the Graphic Display Data RAM (RAM)/Data Byte register or command Byte register according to D/C# pin.

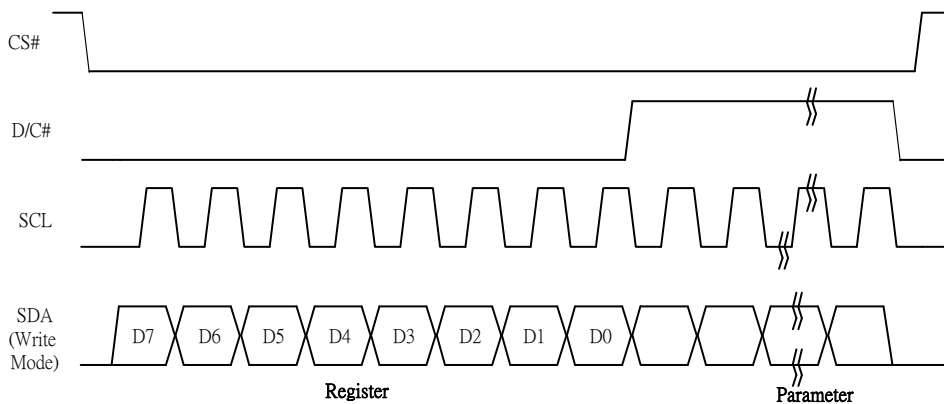


Figure 6-1 : Write procedure in 4-wire SPI mode

In the read operation (Command 0x1B, 0x27, 0x2D, 0x2E, 0x2F, 0x35). After CS# is pulled low, the first byte sent is command byte, D/C# is pulled low. After command byte sent, the following byte(s) read are data byte(s), so D/C# bit is then pulled high. An 8-bit data will be shifted out on every clock falling edge. The serial data SDA bit shifting sequence is D7, D6, to D0 bit. Figure 6-2 shows the read procedure in 4-wire SPI.

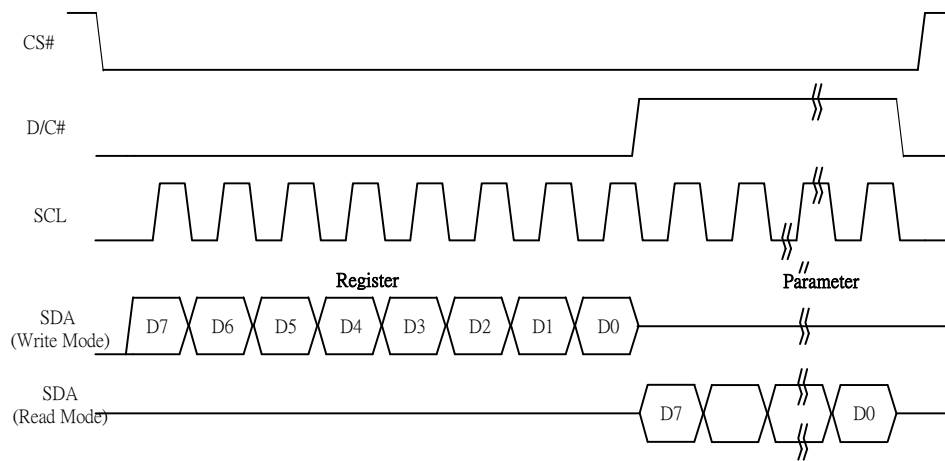


Figure 6-2 : Read procedure in 4-wire SPI mode

### 6.1.3 MCU Serial Peripheral Interface (3-wire SPI)

The 3-wire SPI consists of serial clock SCL, serial data SDA and CS#. The operation is similar to 4-wire SPI while D/C# pin is not used and it must be tied to LOW. The control pins status in 3-wire SPI is shown in Table 6-3.

In the write operation, a 9-bit data will be shifted into the shift register on every clock rising edge. The bit shifting sequence is D/C# bit, D7 bit, D6 bit to D0 bit. The first bit is D/C# bit which determines the following byte is command or data. When D/C# bit is 0, the following byte is command. When D/C# bit is 1, the following byte is data. Table 6-3 shows the write procedure in 3-wire SPI

Table 6-3 : Control pins status of 3-wire SPI

Function	SCL pin	SDA pin	D/C# pin	CS# pin
Write command	↑	Command bit	Tie LOW	L
Write data	↑	Data bit	Tie LOW	L

**Note:**

- (1) L is connected to V<sub>SS</sub> and H is connected to V<sub>DDIO</sub>
- (2) ↑ stands for rising edge of signal

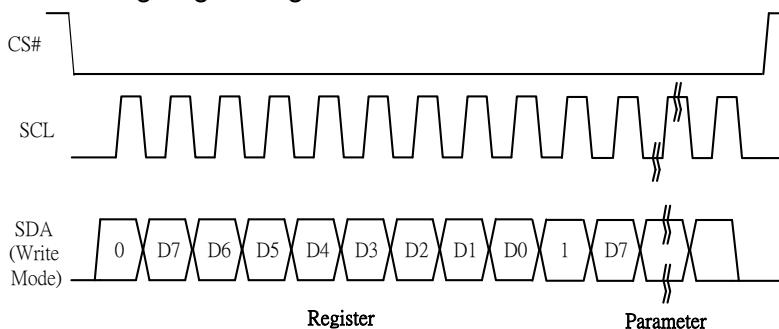


Figure 6-3 : Write procedure in 3-wire SPI

In the read operation (Register 0x1B, 0x27, 0x2D, 0x2E, 0x2F, 0x35). SDA data are transferred in the unit of 9 bits. After CS# pull low, the first byte is command byte, the D/C# bit is as 0 and following with the register byte. After command byte send, the following byte(s) are data byte(s), with D/C# bit is 1. After D/C# bit sending from MCU, an 8-bit data will be shifted out on every clock falling edge. The serial data SDA bit shifting sequence is D7, D6, to D0 bit. Figure 6-4 shows the read procedure in 3-wire SPI.

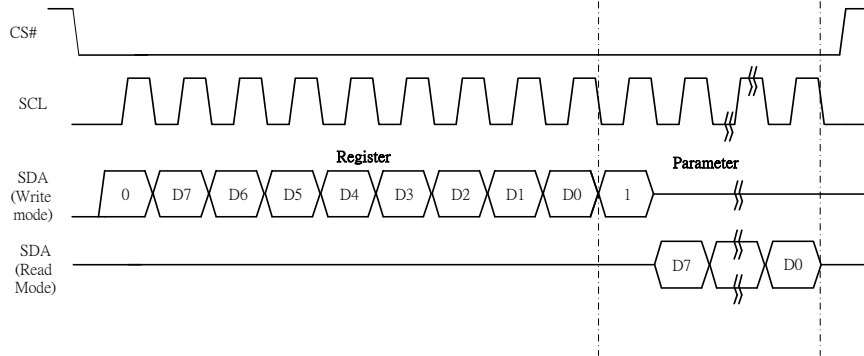


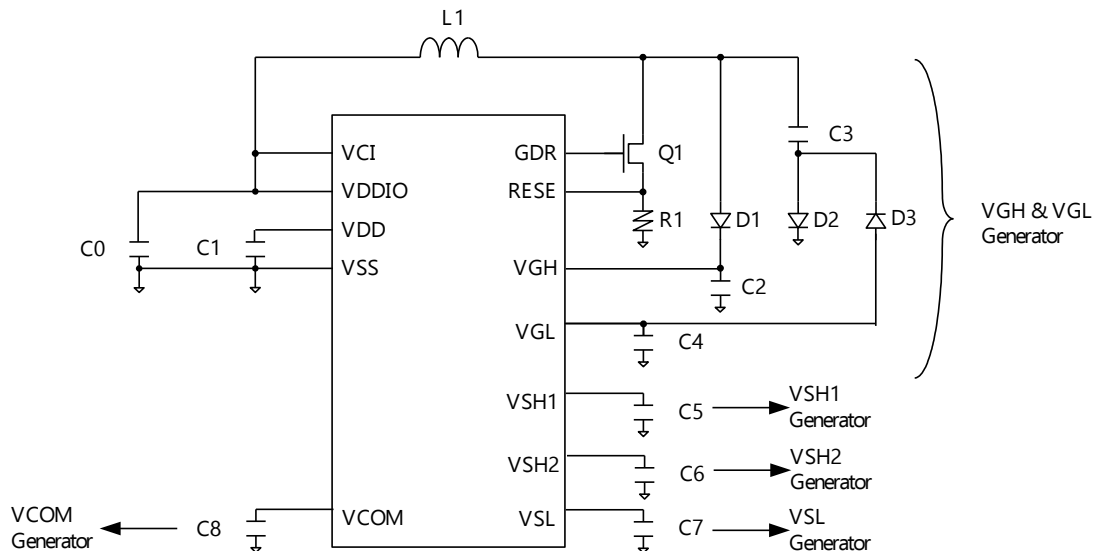
Figure 6-4 : Read procedure in 3-wire SPI mode

## 6.2 OSCILLATOR

The oscillator module generates the clock reference for waveform timing and analog operations.

## 6.3 BOOSTER & REGULATOR

A voltage generation system is included in the driver. It provides all necessary driving voltages required for an AMEPD panel including VGH, VGL, VSH1, VSH2, VSL and VCOM. External application circuit is needed to make the on-chip booster & regulator circuit work properly.



## 6.4 VCOM SENSING

This functional block provides the scheme to select the optimal VCOM DC level. The sensed value can be programmed into OTP.

The flow of VCOM sensing:

- Active Gate is scanning during the VCOM sense Period.
- Source are VSS.
- VCOM pin used for sensing.
- During Sensing period, BUSY is high.
- After Sensing, Active Gate return to non-select stage.

## 6.5 RAM

The On chip display RAM is holding the image data.  
 1 set of RAM is built for Mono B/W. The RAM size is 400x300 bits.  
 1 set of RAM is built for Mono Red. The RAM size is 400x300 bits.

**Table 6-4 : RAM bit and LUT mapping for 3-color display**

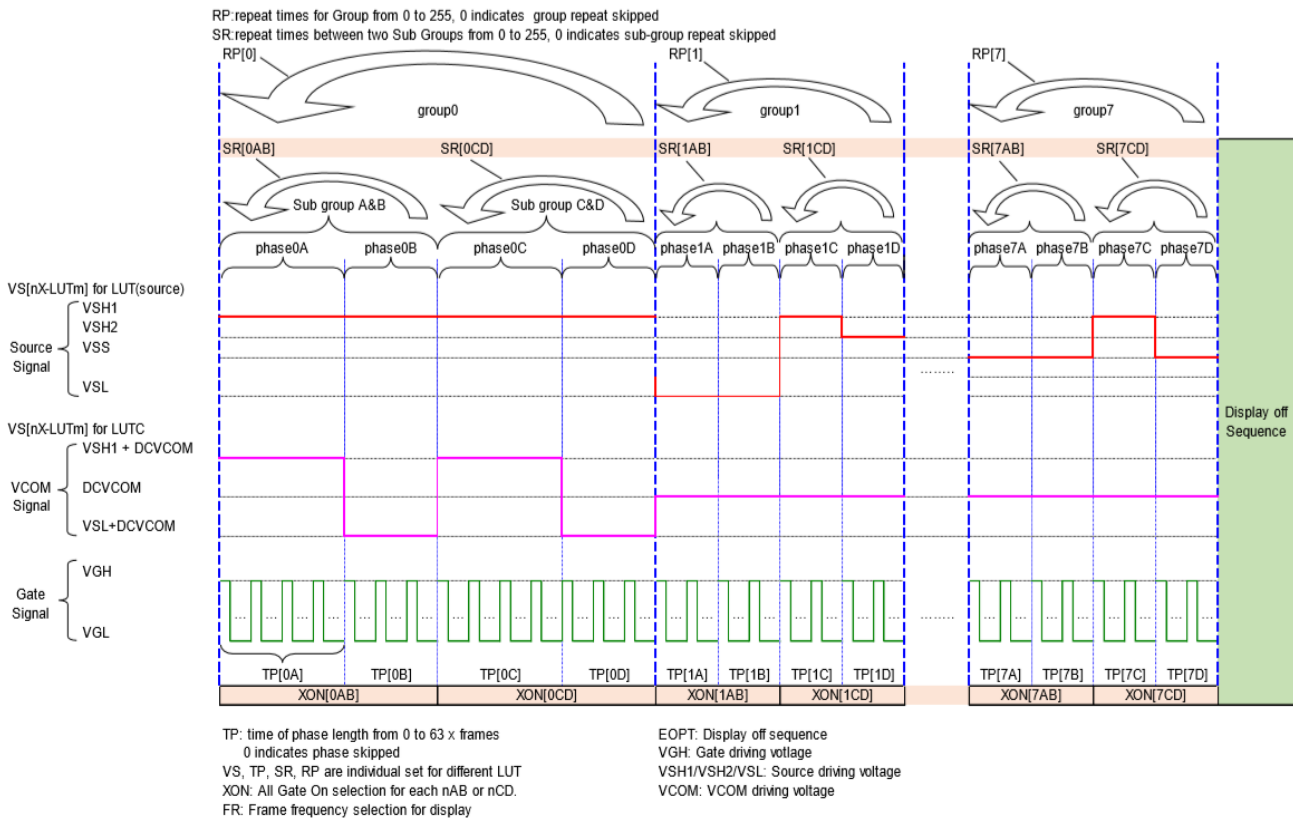
Data bit in R RAM	Data bit in B/W RAM	Image Color	LUT
0	0	Black	LUTB for driving Black
0	1	White	LUTW for driving White
1	0	Red	LUTR for driving Red

**Table 6-5 : RAM bit and LUT mapping for black/white display**

Data bit in R RAM	Data bit in B/W RAM	Image Color	LUT
0	0	Black	LUTBB for driving Black
0	1	White	LUTWB for driving White
1	0	Black	LUTBW = LUTBB
1	1	White	LUTWW = LUTWB

## 6.6 Programmable Waveform for Gate, Source and VCOM

There are two selectable programmable driving waveform, which is selected by Command 0x22. The color mode selection can be selected for 3-color mode and black/white mode. Figure 6-5 illustrates the programmable driving waveform with the description of parameter setting.



**Figure 6-5 : Programmable driving waveform illustration**

In 3-color mode, there are 8 groups (Group0 to Group7) for 4 LUTs. The 4 LUTs are LUTC, LUTR, LUTW and LUTB. In black/white mode, there are 6 groups (Group0 to Group5) for 5LUTs. The 5 LUTs are LUTC, LUTBB, LUTWB, LUTBW and LUTWW. In each group, there are 4 phases (Phase A to Phase D) and 2 state repeats (Phase A and B, Phase C and D). Totally, there are 32 phases in 3-color mode and 24 phases in black/white mode. In each phase, the phase length (TP[nX]) can be set by number of frame from 0 to 63 frames. Also, each group can be repeated with repeat counting number (RP[n]) from 0 to 255 times; each AB / CD phases can be repeated with state repeat counting number (SR[nAB]/SR[nCD]) from 0 to 255 times. For the voltage level (VS[nX-LUTm]), there are four levels for Source voltage (VSS, VSH1, VSH2, VSL) and four levels for VCOM voltage (DCVCOM, VSH1+DCVCOM, VSL+DCVCOM, Floating).

The description of each parameter is as follows.

- 1) TP[nX] represents the phase length set by the number of frame.
  - The range of TP[nX] is from 0 to 63.
  - n represents the Group number
    - from 0 to 7 for 3-color mode
    - from 0 to 5 for black/white mode
  - X represents the phase number from A to D.
  - When TP[nX] = 0, the phase is skipped. When TP[nX] = 1, the phase is 1 frame, and so on. The maximum phase length is 63 frame.
  
- 2) RP[n] represents the repeat counting number for the Group.
  - The range of RP[n] is from 0 to 255.
  - n represents the Group number
    - from 0 to 7 for 3-color mode
    - from 0 to 5 for black/white mode
  - RP[n] = 0 indicates that the group is skipped, RP[n] = 1 indicates that the repeat times = 1, and so on. The maximum repeat times is 255.
  
- 3) SR[nAB] and SR[nCD] represent the state repeat counting number for Phase A & B and Phase C & D respectively.
  - The range of SR[nXY] is from 0 to 255.
  - n represents the Group number
    - from 0 to 7 for 3-color mode
    - from 0 to 5 for black/white mode
  - SR[nXY] = 0 indicates that the sub-group is skipped, SR[nXY] = 1 indicates that the repeat times = 1, and so on. The maximum repeat times is 255.
  
- 4) VS[nX-LUTm] represents Source and VCOM voltage level which is used in each phase. Table 6-6 shows the voltage settings for source voltage and VCOM voltage.
  - In 3-color mode
    - n represents the Group number from 0 to 7.
    - X represents the phase number from A to D.
    - LUTm represents the corresponding LUT for LUTC, LUTB, LUTW and LUTR.
  - In black/white mode
    - n represents the Group number from 0 to 5.
    - X represents the phase number from A to D.
    - LUTm represents the corresponding LUT for LUTC, LUTBB, LUTWB, LUTBW and LUTWW.

**Table 6-6 : VS[nX-LUTm] settings for Source voltage and VCOM voltage**

VS[nX-LUTm]	Source voltage	VCOM voltage
00	VSS	DCVCOM
01	VSH1	VSH1 + DCVCOM
10	VSL	VSL + DCVCOM
11	VSH2	Floating

5) FR indicates the frame rate for display. Table 6-7 shows the FR settings for frame rate selection.

**Table 6-7 : FR settings for frame rate selection**

FR [3:0]	Frame Rate	FR [3:0]	Frame Rate
0001	25Hz	1001	37.5Hz
0010	50Hz	1010	62.5Hz
0011	75Hz	1011	87.5Hz
0100	100Hz	1100	112.5Hz
0101	125Hz		

6) XON[nAB] and XON[nCD], indicates the gate scan selection.

- n represents the Group number
  - from 0 to 7 for 3-color mode
  - from 0 to 5 for black/white mode
- XON[nXY] = 0 indicates Normal gate scan in Phase[nX] & Phase[nY].
- XON[nXY] = 1 indicates All gate on, that Gate keeps High until the phase for normal gate scan, in Phase[nX] & Phase[nY].

7) EOPT represents Display off sequence.

- Set as 0x22 for
  - 2 scan frames to discharge TFT pixels voltage
  - VCOM and HV power will be discharged in a sequence.
- Set as 0x07 for
  - No scan frame, keep previous TFT pixels voltage
  - VCOM will float. VSH1/VSH2/VSL/VGH will be discharged & VGL will float in a sequence
 For 0x07 setting, VCOM and VGL are floating after display update. Please wait until the system completely discharge before next operation.

8) VGH, VSH1/ VSH2/ VSL and VCOM represent the gate driving voltage, source driving voltage and VCOM driving voltage respectively.

- VGH setting from 10V to 20V.
- VSH1 voltage setting from 8.6V to 17V.
- VSH2 voltage setting from 2.4V to 8.6V, 8.8V to 17V
- VSL setting from -5V to -17V.
- VCOM setting from -0.2V to -3V.

## 6.7 WAVEFORM SETTING

As described in Section 6.6, parameters VS[nX-LUTm], TP[nX], RP[n], SR[nXY], FR[n], and XON[nXY], EOPT and VGH, VSH1/ VSH2/ VSL, VCOM are used to define the driving waveform. In the SSD1683A, there are 233 bytes in the waveform setting as follows.

- WS byte 0~226, the content of waveform LUT are defined by Register 0x32
- WS byte 227, the content of display off sequence, is the parameter belonging to register 0x3F.
- WS byte 228, the content of gate level, is the parameter defined by Register 0x03.
- WS byte 229~231, the content of source level, is the parameter defined by Register 0x04.
- WS byte 232, the content of VCOM level, is the parameter defined by Register 0x2C.

Figure 6-6 and Figure 6-7 show the waveform setting format for 3-color mode and black/white mode respectively. The waveform setting of a particular temperature range can be loaded from OTP or written by MCU. These commands (0x32, 0x3F, 0x03, 0x04 and 0x2C) can be overridden by the latest register setting. For example, if waveform setting A is loaded from OTP first, then, MCU has written another waveform setting B into the driver IC after OTP loaded. The driver IC will use the waveform setting B to drive the display.

addr.	D7	D6	D5	D4	D3	D2	D1	D0	addr.	D7	D6	D5	D4	D3	D2	D1	D0
0	RP LUTC 0								112	RP LUTW 0							
1	VS-0A-LUTC				TP LUTC 0A				113	VS-0A-LUTW				TP LUTW 0A			
2	VS-0B-LUTC				TP LUTC 0B				114	VS-0B-LUTW				TP LUTW 0B			
3	VS-0C-LUTC				TP LUTC 0C				115	VS-0C-LUTW				TP LUTW 0C			
4	VS-0D-LUTC				TP LUTC 0D				116	VS-0D-LUTW				TP LUTW 0D			
5	SR LUTC 0AB								117	SR LUTW 0AB							
6	SR LUTC 0CD								118	SR LUTW 0CD							
7	RP LUTC 1								119	RP LUTW 1							
8	VS-1A-LUTC				TP LUTC 1A				120	VS-1A-LUTW				TP LUTW 1A			
9	VS-1B-LUTC				TP LUTC 1B				121	VS-1B-LUTW				TP LUTW 1B			
10	VS-1C-LUTC				TP LUTC 1C				122	VS-1C-LUTW				TP LUTW 1C			
11	VS-1D-LUTC				TP LUTC 1D				123	VS-1D-LUTW				TP LUTW 1D			
12	SR LUTC 1AB								124	SR LUTW 1AB							
13	SR LUTC 1CD								125	SR LUTW 1CD							
14	RP LUTC 2								126	RP LUTW 2							
...	...								...	...							
...	...								...	...							
50	VS-7A-LUTC				TP LUTC 7A				162	VS-7A-LUTW				TP LUTW 7A			
51	VS-7B-LUTC				TP LUTC 7B				163	VS-7B-LUTW				TP LUTW 7B			
52	VS-7C-LUTC				TP LUTC 7C				164	VS-7C-LUTW				TP LUTW 7C			
53	VS-7D-LUTC				TP LUTC 7D				165	VS-7D-LUTW				TP LUTW 7D			
54	SR LUTC 7AB								166	SR LUTW 7AB							
55	SR LUTC 7CD								167	SR LUTW 7CD							
56	RP LUTR 0								168	RP LUTB 0							
57	VS-0A-LUTR				TP LUTR 0A				169	VS-0A-LUTB				TP LUTB 0A			
58	VS-0B-LUTR				TP LUTR 0B				170	VS-0B-LUTB				TP LUTB 0B			
59	VS-0C-LUTR				TP LUTR 0C				171	VS-0C-LUTB				TP LUTB 0C			
60	VS-0D-LUTR				TP LUTR 0D				172	VS-0D-LUTB				TP LUTB 0D			
61	SR LUTR 0AB								173	SR LUTB 0AB							
62	SR LUTR 0CD								174	SR LUTB 0CD							
63	RP LUTR 1								175	RP LUTB 1							
64	VS-1A-LUTR				TP LUTR 1A				176	VS-1A-LUTB				TP LUTB 1A			
65	VS-1B-LUTR				TP LUTR 1B				177	VS-1B-LUTB				TP LUTB 1B			
66	VS-1C-LUTR				TP LUTR 1C				178	VS-1C-LUTB				TP LUTB 1C			
67	VS-1D-LUTR				TP LUTR 1D				179	VS-1D-LUTB				TP LUTB 1D			
68	SR LUTR 1AB								180	SR LUTB 1AB							
69	SR LUTR 1CD								181	SR LUTB 1CD							
70	RP LUTR 2								182	RP LUTB 2							
...	...								...	...							
...	...								...	...							
106	VS-7A-LUTR				TP LUTR 7A				218	VS-7A-LUTB				TP LUTB 7A			
107	VS-7B-LUTR				TP LUTR 7B				219	VS-7B-LUTB				TP LUTB 7B			
108	VS-7C-LUTR				TP LUTR 7C				220	VS-7C-LUTB				TP LUTB 7C			
109	VS-7D-LUTR				TP LUTR 7D				221	VS-7D-LUTB				TP LUTB 7D			
110	SR LUTR 7AB								222	SR LUTB 7AB							
111	SR LUTR 7CD								223	SR LUTB 7CD							
									224	FR							
	XON3CD	XON3AB	XON2CD	XON2AB	XON1CD	XON1AB	XON0CD	XON0AB	225	XON3CD	XON3AB	XON2CD	XON2AB	XON1CD	XON1AB	XON0CD	XON0AB
	XON7CD	XON7AB	XON6CD	XON6AB	XON5CD	XON5AB	XON4CD	XON4AB	226	XON7CD	XON7AB	XON6CD	XON6AB	XON5CD	XON5AB	XON4CD	XON4AB
									227	EOPT							
									228	VGH							
									229	VSH1							
									230	VSH2							
									231	VSL							
									232	VCOM							

Figure 6-6 : Waveform Setting format for 3-color mode

addr.	D7	D6	D5	D4	D3	D2	D1	D0	addr.	D7	D6	D5	D4	D3	D2	D1	D0
0								RP LUTC 0	126								RP LUTWB 0
1	VS-0A-LUTC							TP LUTC 0A	127	VS-0A-LUTWB							TP LUTWB 0A
2	VS-0B-LUTC							TP LUTC 0B	128	VS-0B-LUTWB							TP LUTWB 0B
3	VS-0C-LUTC							TP LUTC 0C	129	VS-0C-LUTWB							TP LUTWB 0C
4	VS-0D-LUTC							TP LUTC 0D	130	VS-0D-LUTWB							TP LUTWB 0D
5								SR LUTC 0AB	131								SR LUTWB 0AB
6								SR LUTC 0CD	132								SR LUTWB 0CD
7								RP LUTC 1	133								RP LUTWB 1
8	VS-1A-LUTC							TP LUTC 1A	134	VS-1A-LUTWB							TP LUTWB 1A
9	VS-1B-LUTC							TP LUTC 1B	135	VS-1B-LUTWB							TP LUTWB 1B
10	VS-1C-LUTC							TP LUTC 1C	136	VS-1C-LUTWB							TP LUTWB 1C
11	VS-1D-LUTC							TP LUTC 1D	137	VS-1D-LUTWB							TP LUTWB 1D
12								SR LUTC 1AB	138								SR LUTWB 1AB
13								SR LUTC 1CD	139								SR LUTWB 1CD
14								RP LUTC 2	140								RP LUTWB 2
...								...	...								...
...								...	...								...
...								...	...								...
36	VS-5A-LUTC							TP LUTC 5A	162	VS-5A-LUTWB							TP LUTWB 5A
37	VS-5B-LUTC							TP LUTC 5B	163	VS-5B-LUTWB							TP LUTWB 5B
38	VS-5C-LUTC							TP LUTC 5C	164	VS-5C-LUTWB							TP LUTWB 5C
39	VS-5D-LUTC							TP LUTC 5D	165	VS-5D-LUTWB							TP LUTWB 5D
40								SR LUTC 5AB	166								SR LUTWB 5AB
41								SR LUTC 5CD	167								SR LUTWB 5CD
42								RP LUTWW 0	168								RP LUTBB 0
43	VS-0A-LUTWW							TP LUTWW 0A	169	VS-0A-LUTBB							TP LUTBB 0A
44	VS-0B-LUTWW							TP LUTWW 0B	170	VS-0B-LUTBB							TP LUTBB 0B
45	VS-0C-LUTWW							TP LUTWW 0C	171	VS-0C-LUTBB							TP LUTBB 0C
46	VS-0D-LUTWW							TP LUTWW 0D	172	VS-0D-LUTBB							TP LUTBB 0D
47								SR LUTWW 0AB	173								SR LUTBB 0AB
48								SR LUTWW 0CD	174								SR LUTBB 0CD
49								RP LUTWW 1	175								RP LUTBB 1
50	VS-1A-LUTWW							TP LUTWW 1A	176	VS-1A-LUTBB							TP LUTBB 1A
51	VS-1B-LUTWW							TP LUTWW 1B	177	VS-1B-LUTBB							TP LUTBB 1B
52	VS-1C-LUTWW							TP LUTWW 1C	178	VS-1C-LUTBB							TP LUTBB 1C
53	VS-1D-LUTWW							TP LUTWW 1D	179	VS-1D-LUTBB							TP LUTBB 1D
54								SR LUTWW 1AB	180								SR LUTBB 1AB
55								SR LUTWW 1CD	181								SR LUTBB 1CD
56								RP LUTWW 2	182								RP LUTBB 2
...								...	...								...
...								...	...								...
...								...	...								...
78	VS-5A-LUTWW							TP LUTWW 5A	204	VS-5A-LUTBB							TP LUTBB 5A
79	VS-5B-LUTWW							TP LUTWW 5B	205	VS-5B-LUTBB							TP LUTBB 5B
80	VS-5C-LUTWW							TP LUTWW 5C	206	VS-5C-LUTBB							TP LUTBB 5C
81	VS-5D-LUTWW							TP LUTWW 5D	207	VS-5D-LUTBB							TP LUTBB 5D
82								SR LUTWW 5AB	208								SR LUTBB 5AB
83								SR LUTWW 5CD	209								SR LUTBB 5CD
84								RP LUTBW 0	210								0
85	VS-0A-LUTBW							TP LUTBW 0A	...								...
86	VS-0B-LUTBW							TP LUTBW 0B	223								0
87	VS-0C-LUTBW							TP LUTBW 0C	224								FR
88	VS-0D-LUTBW							TP LUTBW 0D	225	XON3CD	XON3AB	XON2CD	XON2AB	XON1CD	XON1AB	XON0CD	XON0AB
89								SR LUTBW 0AB	226			0		XON5CD	XON5AB	XON4CD	XON4AB
90								SR LUTBW 0CD	227								EOPT
91								RP LUTBW 1	228								VGH
92	VS-1A-LUTBW							TP LUTBW 1A	229								VSH1
93	VS-1B-LUTBW							TP LUTBW 1B	230								VSH2
94	VS-1C-LUTBW							TP LUTBW 1C	231								VSL
95	VS-1D-LUTBW							TP LUTBW 1D	232								VCOM
96								SR LUTBW 1AB									
97								SR LUTBW 1CD									
98								RP LUTBW 2									
...								...									
...								...									
...								...									
120	VS-5A-LUTBW							TP LUTBW 5A									
121	VS-5B-LUTBW							TP LUTBW 5B									
122	VS-5C-LUTBW							TP LUTBW 5C									
123	VS-5D-LUTBW							TP LUTBW 5D									
124								SR LUTBW 5AB									
125								SR LUTBW 5CD									

Figure 6-7 : Waveform Setting format for black/white mode

## 6.8 Temperature Searching

The SSD1683A has internal temperature sensor to detect the environment temperature or can communicate with the external temperature sensor by I2C single master interface or can communicate with the external MCU to get the temperature value through SPI. In the SSD1683A, there is a dedicated format for the temperature value so that the driver IC can understand it. The format of temperature value is described in Section 6.8.3.

### 6.8.1 Internal Temperature Sensor

The internal temperature sensor can be selected by command register. The accuracy of it is  $\pm 2\text{degC}$  from -25degC to 50degC.

### 6.8.2 External Temperature Sensor I2C Single Master Interface

The driver IC can communicate with the external temperature sensor through I2C single master interface (TSDA and TSCL). TSDA will be SDA and TSCL will be SCL. TSDA and TSCL are required to connect with external pull-up resistor. Temperature register value of external temperature sensor can be read by command register.

### 6.8.3 Format of temperature value

The temperature value is defined by 8-bit binary. The rules are shown as below.

- If the Temperature value MSByte bit D11 = 0, then the temperature is positive and value (DegC) = + (Temperature value)
- If the Temperature value MSByte bit D11 = 1, then the temperature is negative and value (DegC) = - (2's complement of Temperature value)

Table 6-8 shows some examples of 8-bit binary temperature value:

**Table 6-8 : Example of 8-bit binary temperature settings for temperature ranges**

8-bit binary (2's complement)	Hexadecimal Value	TR Value [DegC]
0111 1111	7F	12B
0110 0100	64	100
0101 0000	50	80
0100 1011	4B	75
0011 0010	32	50
0001 1001	19	25
0000 0000	00	0
1111 1111	FF	-1
1110 0111	E7	-25
1100 1001	C9	-55

## 6.9 Waveform Setting searching mechanism

As mentioned in Section 6.7, the SSD1683A OTP can store waveform setting and temperature range. If waveform setting and temperature range are programmed in OTP memory, corresponding waveform LUT can be selected according to the sensed temperature to drive the display. The Waveform Setting searching mechanism by driver IC is as follows.

- 1) Read temperature value by command register in the format of 8-bit binary.
- 2) According to read temperature and color mode selection, search LUT in OTP from TR0 to TR23 in sequence. The last match will be selected, then, the corresponding WS will be loaded in the LUT register to drive the display.

**Remark:** Waveform LUT selection criteria is “Lower temperature bound < Sensed temperature ≤ Upper temperature bound”.

Table 6-9 shows an example for the waveform LUT searching from OTP:

- If the read temperature is 25degC, then, WS4 will be selected.
- If the read temperature is 34degC, then, WS7 will be selected. Although 34degC is also in the temperature range TR6, according to searching mechanism, the last match should be selected. Therefore, WS7 is selected.

**Table 6-9 : Example of waveform settings selection based on temperature ranges.**

Waveform LUT in OTP	Temperature Range in OTP	TR Lower Limit [Hex]	TR Upper Limit [Hex]	Temperature range in OTP
WS0	TR0	80	05	-128 DegC < Temperature ≤ 5 DegC
WS1	TR1	05	0A	5 DegC < Temperature ≤ 10DegC
WS2	TR2	0A	0F	10 DegC < Temperature ≤ 15DegC
WS3	TR3	0F	14	15 DegC < Temperature ≤ 20DegC
WS4	TR4	14	19	20 DegC < Temperature ≤ 25DegC
WS5	TR5	19	1E	25 DegC < Temperature ≤ 30DegC
WS6	TR6	1E	23	30 DegC < Temperature ≤ 35DegC
WS7	TR7	21	7F	33 DegC < Temperature ≤ 127DegC
Others	Others	00	00	

**Precaution:**

Please ensure the temperature range covers whole range of application temperatures, display will not be updated if no suitable temperature range matches the sensed temperature.

## 6.10 One Time Programmable (OTP) Memory

In the SSD1683A, there is an embedded OTP memory which is designed to store the waveform settings of different temperature range and some variables/parameters. The OTP memory can store 24 sets of waveform LUT settings (WS), 24 sets of temperature range (TR), VCOM value, color mode selection, waveform version and user ID. Figure 6 7 shows the address mapping of the 24 waveform setting (WS0 to WS23) and temperature range (TR0 to TR23).

addr.	D7	D6	D5	D4	D3	D2	D1	D0
0	WS0							
...								
232								
233	WS1							
...								
465								
466	WS2							
...								
698								
699	WS3							
...								
931								
932	WS4							
...								
1164								
	...							
5126	WS22							
...								
5358								
5359	WS23							
...								
5591								
5592	TR0							
5593								
5594	TR1							
5595								
5596	TR2							
5597								
5598	TR3							
5599								
5600	TR4							
5601								
	...							
5636	TR22							
5637								
5638	TR23							
5639								

Figure 6-8 : The Waveform setting mapping in OTP for waveform setting and temperature range

## 6.11 The Format for Temperature Range (TR)

The format of TR Lower limit and Upper limit as shown in Figure 6-8 which temp\_L[7:0] is the lower limit and temp\_H[7:0] is the upper limit of the temperature range. There has 24sets of TR for waveform LUT searching.

D7	D6	D5	D4	D3	D2	D1	D0
temp_L[7:0]							
temp_H[7:0]							

Figure 6-9 : Format of Temperature Range (TR) in OTP

## 6.12 Cascade Mode

The SSD1683A has a cascade mode that can cascade 2 chips to achieve the display resolution up to 800 (sources) x 300 (gates). The pin M/S# is used to configure the chip. When M/S# is connected to VDDIO, the chip is configured as a master chip. When M/S# is connected to VSS, the chip is configured as a slave chip.

When the chip is configured as a master chip, it will be the same as a single chip application, ie, all circuit blocks will be worked as usual. When the chip is configured as a slave chip, its oscillator and booster & regulator circuit will be disabled. The oscillator clock and all booster voltages will be come from the master chip. Therefore, the corresponding pins including CL, VDD, VGH, VGL, VSH1, VSH2, VSL, VGL and VCOM must be connected to the master chip.

## 6.13 VCI Detection

The VCI detection function is used to detect the VCI level when it is lower than Vlow, threshold voltage set by register.

In SSD1683A, there is a command to execute the VCI detection function. When the VCI detection command is issued, the VCI detection will be executed. During the detection period, BUSY output is at high level. BUSY output is at low level when the detection is completed. Then, user can issue the Status Bit Read command to check the status bit for the result of VCI, which 0 is normal, 1 is VCI<Vlow.

## 6.14 HV Ready Detection

The HV Ready detection function is used to detect whether the analog block is ready.

In SSD1683A, there is a command to execute the HV Ready detection function. When the HV Ready detection command is issued, the HV Ready will be executed. During the detection period, BUSY output is at high level. BUSY output is at low level when the detection is completed. Then, user can issue the Status Bit Read command to check the status bit for the result of HV Ready, which 0 is normal, 1 indicate HV is not ready.

## 7 COMMAND TABLE

Table 7-1: Command Table

Command Table											Command	Description																																																								
R/W#	D/C#	Hex	D7	D6	D5	D4	D3	D2	D1	D0																																																										
0	0	01	0	0	0	0	0	0	0	1	Driver Output control	<p>Gate setting A[8:0]= 12Bh [POR], 300 MUX MUX Gate lines setting as (A[8:0] + 1).</p> <p>B [2:0] = 000 [POR]. Gate scanning sequence and direction</p> <p>B[2]: GD Selects the 1st output Gate GD=0 [POR], G0 is the 1st gate output channel, gate output sequence is G0,G1, G2, G3, ... GD=1, G1 is the 1st gate output channel, gate output sequence is G1, G0, G3, G2, ...</p> <p>B[1]: SM Change scanning order of gate driver. SM=0 [POR], G0, G1, G2, G3...299 (left and right gate interlaced) SM=1, G0, G2, G4 ...G294, G1, G3, ...G299</p> <p>B[0]: TB TB = 0 [POR], scan from G0 to G299 TB = 1, scan from G299 to G0.</p>																																																								
0	1		A <sub>7</sub>	A <sub>6</sub>	A <sub>5</sub>	A <sub>4</sub>	A <sub>3</sub>	A <sub>2</sub>	A <sub>1</sub>	A <sub>0</sub>																																																										
0	1		0	0	0	0	0	0	0	A <sub>8</sub>																																																										
0	1		0	0	0	0	0	B <sub>2</sub>	B <sub>1</sub>	B <sub>0</sub>																																																										
0	0	03	0	0	0	0	0	0	1	1	Gate Driving voltage Control	<p>Set Gate driving voltage A[4:0] = 00h [POR] VGH setting from 10V to 20V</p> <table border="1"> <thead> <tr> <th>A[4:0]</th> <th>VGH</th> <th>A[4:0]</th> <th>VGH</th> </tr> </thead> <tbody> <tr> <td>00h</td> <td>20</td> <td>0Dh</td> <td>15</td> </tr> <tr> <td>03h</td> <td>10</td> <td>0Eh</td> <td>15.5</td> </tr> <tr> <td>04h</td> <td>10.5</td> <td>0Fh</td> <td>16</td> </tr> <tr> <td>05h</td> <td>11</td> <td>10h</td> <td>16.5</td> </tr> <tr> <td>06h</td> <td>11.5</td> <td>11h</td> <td>17</td> </tr> <tr> <td>07h</td> <td>12</td> <td>12h</td> <td>17.5</td> </tr> <tr> <td>08h</td> <td>12.5</td> <td>13h</td> <td>18</td> </tr> <tr> <td>07h</td> <td>12</td> <td>14h</td> <td>18.5</td> </tr> <tr> <td>08h</td> <td>12.5</td> <td>15h</td> <td>19</td> </tr> <tr> <td>09h</td> <td>13</td> <td>16h</td> <td>19.5</td> </tr> <tr> <td>0Ah</td> <td>13.5</td> <td>17h</td> <td>20</td> </tr> <tr> <td>0Bh</td> <td>14</td> <td>Other</td> <td>NA</td> </tr> <tr> <td>0Ch</td> <td>14.5</td> <td></td> <td></td> </tr> </tbody> </table>	A[4:0]	VGH	A[4:0]	VGH	00h	20	0Dh	15	03h	10	0Eh	15.5	04h	10.5	0Fh	16	05h	11	10h	16.5	06h	11.5	11h	17	07h	12	12h	17.5	08h	12.5	13h	18	07h	12	14h	18.5	08h	12.5	15h	19	09h	13	16h	19.5	0Ah	13.5	17h	20	0Bh	14	Other	NA	0Ch	14.5		
A[4:0]	VGH	A[4:0]	VGH																																																																	
00h	20	0Dh	15																																																																	
03h	10	0Eh	15.5																																																																	
04h	10.5	0Fh	16																																																																	
05h	11	10h	16.5																																																																	
06h	11.5	11h	17																																																																	
07h	12	12h	17.5																																																																	
08h	12.5	13h	18																																																																	
07h	12	14h	18.5																																																																	
08h	12.5	15h	19																																																																	
09h	13	16h	19.5																																																																	
0Ah	13.5	17h	20																																																																	
0Bh	14	Other	NA																																																																	
0Ch	14.5																																																																			
0	1		0	0	0	A <sub>4</sub>	A <sub>3</sub>	A <sub>2</sub>	A <sub>1</sub>	A <sub>0</sub>																																																										

Command Table																																																																																																																																																																																																																																																																																																	
R/W#	D/C#	Hex	D7	D6	D5	D4	D3	D2	D1	D0	Command	Description																																																																																																																																																																																																																																																																																					
0	0	04	0	0	0	0	0	1	0	0	Source Driving voltage Control	Set Source driving voltage A[7:0] = 41h [POR], VSH1 at 15V B [7:0] = A8h [POR], VSH2 at 5V. C[7:0] = 32h [POR], VSL at -15V Remark: VSH1>=VSH2																																																																																																																																																																																																																																																																																					
0	1		A <sub>7</sub>	A <sub>6</sub>	A <sub>5</sub>	A <sub>4</sub>	A <sub>3</sub>	A <sub>2</sub>	A <sub>1</sub>	A <sub>0</sub>																																																																																																																																																																																																																																																																																							
0	1		B <sub>7</sub>	B <sub>6</sub>	B <sub>5</sub>	B <sub>4</sub>	B <sub>3</sub>	B <sub>2</sub>	B <sub>1</sub>	B <sub>0</sub>																																																																																																																																																																																																																																																																																							
0	1		C <sub>7</sub>	C <sub>6</sub>	C <sub>5</sub>	C <sub>4</sub>	C <sub>3</sub>	C <sub>2</sub>	C <sub>1</sub>	C <sub>0</sub>																																																																																																																																																																																																																																																																																							
B[7] = 1, VSH2 voltage setting from 2.4V to 8.6V				A[7]/B[7] = 0, VSH1/VSH2 voltage setting from 8.6V to 17V				C[7] = 0, VSL setting from -5V to -17V																																																																																																																																																																																																																																																																																									
<table border="1"> <thead> <tr> <th>A/B[7:0]</th> <th>VSH1/VSH2</th> <th>A/B[7:0]</th> <th>VSH1/VSH2</th> </tr> </thead> <tbody> <tr><td>8Eh</td><td>2.4</td><td>AEh</td><td>5.6</td></tr> <tr><td>8Fh</td><td>2.5</td><td>AFh</td><td>5.7</td></tr> <tr><td>90h</td><td>2.6</td><td>B0h</td><td>5.8</td></tr> <tr><td>91h</td><td>2.7</td><td>B1h</td><td>5.9</td></tr> <tr><td>92h</td><td>2.8</td><td>B2h</td><td>6</td></tr> <tr><td>93h</td><td>2.9</td><td>B3h</td><td>6.1</td></tr> <tr><td>94h</td><td>3</td><td>B4h</td><td>6.2</td></tr> <tr><td>95h</td><td>3.1</td><td>B5h</td><td>6.3</td></tr> <tr><td>96h</td><td>3.2</td><td>B6h</td><td>6.4</td></tr> <tr><td>97h</td><td>3.3</td><td>B7h</td><td>6.5</td></tr> <tr><td>98h</td><td>3.4</td><td>B8h</td><td>6.6</td></tr> <tr><td>99h</td><td>3.5</td><td>B9h</td><td>6.7</td></tr> <tr><td>9Ah</td><td>3.6</td><td>BAh</td><td>6.8</td></tr> <tr><td>9Bh</td><td>3.7</td><td>BBh</td><td>6.9</td></tr> <tr><td>9Ch</td><td>3.8</td><td>BCh</td><td>7</td></tr> <tr><td>9Dh</td><td>3.9</td><td>BDh</td><td>7.1</td></tr> <tr><td>9Eh</td><td>4</td><td>BEh</td><td>7.2</td></tr> <tr><td>9Fh</td><td>4.1</td><td>BFh</td><td>7.3</td></tr> <tr><td>A0h</td><td>4.2</td><td>C0h</td><td>7.4</td></tr> <tr><td>A1h</td><td>4.3</td><td>C1h</td><td>7.5</td></tr> <tr><td>A2h</td><td>4.4</td><td>C2h</td><td>7.6</td></tr> <tr><td>A3h</td><td>4.5</td><td>C3h</td><td>7.7</td></tr> <tr><td>A4h</td><td>4.6</td><td>C4h</td><td>7.8</td></tr> <tr><td>A5h</td><td>4.7</td><td>C5h</td><td>7.9</td></tr> <tr><td>A6h</td><td>4.8</td><td>C6h</td><td>8</td></tr> <tr><td>A7h</td><td>4.9</td><td>C7h</td><td>8.1</td></tr> <tr><td>A8h</td><td>5</td><td>C8h</td><td>8.2</td></tr> <tr><td>A9h</td><td>5.1</td><td>C9h</td><td>8.3</td></tr> <tr><td>AAh</td><td>5.2</td><td>CAh</td><td>8.4</td></tr> <tr><td>ABh</td><td>5.3</td><td>CBh</td><td>8.5</td></tr> <tr><td>ACh</td><td>5.4</td><td>CCh</td><td>8.6</td></tr> <tr><td>ADh</td><td>5.5</td><td>Other</td><td>NA</td></tr> </tbody> </table>				A/B[7:0]	VSH1/VSH2	A/B[7:0]	VSH1/VSH2	8Eh	2.4	AEh	5.6	8Fh	2.5	AFh	5.7	90h	2.6	B0h	5.8	91h	2.7	B1h	5.9	92h	2.8	B2h	6	93h	2.9	B3h	6.1	94h	3	B4h	6.2	95h	3.1	B5h	6.3	96h	3.2	B6h	6.4	97h	3.3	B7h	6.5	98h	3.4	B8h	6.6	99h	3.5	B9h	6.7	9Ah	3.6	BAh	6.8	9Bh	3.7	BBh	6.9	9Ch	3.8	BCh	7	9Dh	3.9	BDh	7.1	9Eh	4	BEh	7.2	9Fh	4.1	BFh	7.3	A0h	4.2	C0h	7.4	A1h	4.3	C1h	7.5	A2h	4.4	C2h	7.6	A3h	4.5	C3h	7.7	A4h	4.6	C4h	7.8	A5h	4.7	C5h	7.9	A6h	4.8	C6h	8	A7h	4.9	C7h	8.1	A8h	5	C8h	8.2	A9h	5.1	C9h	8.3	AAh	5.2	CAh	8.4	ABh	5.3	CBh	8.5	ACh	5.4	CCh	8.6	ADh	5.5	Other	NA	<table border="1"> <thead> <tr> <th>A/B[7:0]</th> <th>VSH1/VSH2</th> <th>A/B[7:0]</th> <th>VSH1/VSH2</th> </tr> </thead> <tbody> <tr><td>21h</td><td>8.6</td><td>37h</td><td>13</td></tr> <tr><td>22h</td><td>8.8</td><td>38h</td><td>13.2</td></tr> <tr><td>23h</td><td>9</td><td>39h</td><td>13.4</td></tr> <tr><td>24h</td><td>9.2</td><td>3Ah</td><td>13.6</td></tr> <tr><td>25h</td><td>9.4</td><td>3Bh</td><td>13.8</td></tr> <tr><td>26h</td><td>9.6</td><td>3Ch</td><td>14</td></tr> <tr><td>27h</td><td>9.8</td><td>3Dh</td><td>14.2</td></tr> <tr><td>28h</td><td>10</td><td>3Eh</td><td>14.4</td></tr> <tr><td>29h</td><td>10.2</td><td>3Fh</td><td>14.6</td></tr> <tr><td>2Ah</td><td>10.4</td><td>40h</td><td>14.8</td></tr> <tr><td>2Bh</td><td>10.6</td><td>41h</td><td>15</td></tr> <tr><td>2Ch</td><td>10.8</td><td>42h</td><td>15.2</td></tr> <tr><td>2Dh</td><td>11</td><td>43h</td><td>15.4</td></tr> <tr><td>2Eh</td><td>11.2</td><td>44h</td><td>15.6</td></tr> <tr><td>2Fh</td><td>11.4</td><td>45h</td><td>15.8</td></tr> <tr><td>30h</td><td>11.6</td><td>46h</td><td>16</td></tr> <tr><td>31h</td><td>11.8</td><td>47h</td><td>16.2</td></tr> <tr><td>32h</td><td>12</td><td>48h</td><td>16.4</td></tr> <tr><td>33h</td><td>12.2</td><td>49h</td><td>16.6</td></tr> <tr><td>34h</td><td>12.4</td><td>4Ah</td><td>16.8</td></tr> <tr><td>35h</td><td>12.6</td><td>4Bh</td><td>17</td></tr> <tr><td>36h</td><td>12.8</td><td>Other</td><td>NA</td></tr> </tbody> </table>				A/B[7:0]	VSH1/VSH2	A/B[7:0]	VSH1/VSH2	21h	8.6	37h	13	22h	8.8	38h	13.2	23h	9	39h	13.4	24h	9.2	3Ah	13.6	25h	9.4	3Bh	13.8	26h	9.6	3Ch	14	27h	9.8	3Dh	14.2	28h	10	3Eh	14.4	29h	10.2	3Fh	14.6	2Ah	10.4	40h	14.8	2Bh	10.6	41h	15	2Ch	10.8	42h	15.2	2Dh	11	43h	15.4	2Eh	11.2	44h	15.6	2Fh	11.4	45h	15.8	30h	11.6	46h	16	31h	11.8	47h	16.2	32h	12	48h	16.4	33h	12.2	49h	16.6	34h	12.4	4Ah	16.8	35h	12.6	4Bh	17	36h	12.8	Other	NA	<table border="1"> <thead> <tr> <th>C[7:0]</th> <th>VSL</th> </tr> </thead> <tbody> <tr><td>0Ah</td><td>-5</td></tr> <tr><td>0Ch</td><td>-5.5</td></tr> <tr><td>0Eh</td><td>-6</td></tr> <tr><td>10h</td><td>-6.5</td></tr> <tr><td>12h</td><td>-7</td></tr> <tr><td>14h</td><td>-7.5</td></tr> <tr><td>16h</td><td>-8</td></tr> <tr><td>18h</td><td>-8.5</td></tr> <tr><td>1Ah</td><td>-9</td></tr> <tr><td>1Ch</td><td>-9.5</td></tr> <tr><td>1Eh</td><td>-10</td></tr> <tr><td>20h</td><td>-10.5</td></tr> <tr><td>22h</td><td>-11</td></tr> <tr><td>24h</td><td>-11.5</td></tr> <tr><td>26h</td><td>-12</td></tr> <tr><td>28h</td><td>-12.5</td></tr> <tr><td>2Ah</td><td>-13</td></tr> <tr><td>2Ch</td><td>-13.5</td></tr> <tr><td>2Eh</td><td>-14</td></tr> <tr><td>30h</td><td>-14.5</td></tr> <tr><td>32h</td><td>-15</td></tr> <tr><td>34h</td><td>-15.5</td></tr> <tr><td>36h</td><td>-16</td></tr> <tr><td>38h</td><td>-16.5</td></tr> <tr><td>3Ah</td><td>-17</td></tr> <tr><td>Other</td><td>NA</td></tr> </tbody> </table>				C[7:0]	VSL	0Ah	-5	0Ch	-5.5	0Eh	-6	10h	-6.5	12h	-7	14h	-7.5	16h	-8	18h	-8.5	1Ah	-9	1Ch	-9.5	1Eh	-10	20h	-10.5	22h	-11	24h	-11.5	26h	-12	28h	-12.5	2Ah	-13	2Ch	-13.5	2Eh	-14	30h	-14.5	32h	-15	34h	-15.5	36h	-16	38h	-16.5	3Ah	-17	Other	NA
A/B[7:0]	VSH1/VSH2	A/B[7:0]	VSH1/VSH2																																																																																																																																																																																																																																																																																														
8Eh	2.4	AEh	5.6																																																																																																																																																																																																																																																																																														
8Fh	2.5	AFh	5.7																																																																																																																																																																																																																																																																																														
90h	2.6	B0h	5.8																																																																																																																																																																																																																																																																																														
91h	2.7	B1h	5.9																																																																																																																																																																																																																																																																																														
92h	2.8	B2h	6																																																																																																																																																																																																																																																																																														
93h	2.9	B3h	6.1																																																																																																																																																																																																																																																																																														
94h	3	B4h	6.2																																																																																																																																																																																																																																																																																														
95h	3.1	B5h	6.3																																																																																																																																																																																																																																																																																														
96h	3.2	B6h	6.4																																																																																																																																																																																																																																																																																														
97h	3.3	B7h	6.5																																																																																																																																																																																																																																																																																														
98h	3.4	B8h	6.6																																																																																																																																																																																																																																																																																														
99h	3.5	B9h	6.7																																																																																																																																																																																																																																																																																														
9Ah	3.6	BAh	6.8																																																																																																																																																																																																																																																																																														
9Bh	3.7	BBh	6.9																																																																																																																																																																																																																																																																																														
9Ch	3.8	BCh	7																																																																																																																																																																																																																																																																																														
9Dh	3.9	BDh	7.1																																																																																																																																																																																																																																																																																														
9Eh	4	BEh	7.2																																																																																																																																																																																																																																																																																														
9Fh	4.1	BFh	7.3																																																																																																																																																																																																																																																																																														
A0h	4.2	C0h	7.4																																																																																																																																																																																																																																																																																														
A1h	4.3	C1h	7.5																																																																																																																																																																																																																																																																																														
A2h	4.4	C2h	7.6																																																																																																																																																																																																																																																																																														
A3h	4.5	C3h	7.7																																																																																																																																																																																																																																																																																														
A4h	4.6	C4h	7.8																																																																																																																																																																																																																																																																																														
A5h	4.7	C5h	7.9																																																																																																																																																																																																																																																																																														
A6h	4.8	C6h	8																																																																																																																																																																																																																																																																																														
A7h	4.9	C7h	8.1																																																																																																																																																																																																																																																																																														
A8h	5	C8h	8.2																																																																																																																																																																																																																																																																																														
A9h	5.1	C9h	8.3																																																																																																																																																																																																																																																																																														
AAh	5.2	CAh	8.4																																																																																																																																																																																																																																																																																														
ABh	5.3	CBh	8.5																																																																																																																																																																																																																																																																																														
ACh	5.4	CCh	8.6																																																																																																																																																																																																																																																																																														
ADh	5.5	Other	NA																																																																																																																																																																																																																																																																																														
A/B[7:0]	VSH1/VSH2	A/B[7:0]	VSH1/VSH2																																																																																																																																																																																																																																																																																														
21h	8.6	37h	13																																																																																																																																																																																																																																																																																														
22h	8.8	38h	13.2																																																																																																																																																																																																																																																																																														
23h	9	39h	13.4																																																																																																																																																																																																																																																																																														
24h	9.2	3Ah	13.6																																																																																																																																																																																																																																																																																														
25h	9.4	3Bh	13.8																																																																																																																																																																																																																																																																																														
26h	9.6	3Ch	14																																																																																																																																																																																																																																																																																														
27h	9.8	3Dh	14.2																																																																																																																																																																																																																																																																																														
28h	10	3Eh	14.4																																																																																																																																																																																																																																																																																														
29h	10.2	3Fh	14.6																																																																																																																																																																																																																																																																																														
2Ah	10.4	40h	14.8																																																																																																																																																																																																																																																																																														
2Bh	10.6	41h	15																																																																																																																																																																																																																																																																																														
2Ch	10.8	42h	15.2																																																																																																																																																																																																																																																																																														
2Dh	11	43h	15.4																																																																																																																																																																																																																																																																																														
2Eh	11.2	44h	15.6																																																																																																																																																																																																																																																																																														
2Fh	11.4	45h	15.8																																																																																																																																																																																																																																																																																														
30h	11.6	46h	16																																																																																																																																																																																																																																																																																														
31h	11.8	47h	16.2																																																																																																																																																																																																																																																																																														
32h	12	48h	16.4																																																																																																																																																																																																																																																																																														
33h	12.2	49h	16.6																																																																																																																																																																																																																																																																																														
34h	12.4	4Ah	16.8																																																																																																																																																																																																																																																																																														
35h	12.6	4Bh	17																																																																																																																																																																																																																																																																																														
36h	12.8	Other	NA																																																																																																																																																																																																																																																																																														
C[7:0]	VSL																																																																																																																																																																																																																																																																																																
0Ah	-5																																																																																																																																																																																																																																																																																																
0Ch	-5.5																																																																																																																																																																																																																																																																																																
0Eh	-6																																																																																																																																																																																																																																																																																																
10h	-6.5																																																																																																																																																																																																																																																																																																
12h	-7																																																																																																																																																																																																																																																																																																
14h	-7.5																																																																																																																																																																																																																																																																																																
16h	-8																																																																																																																																																																																																																																																																																																
18h	-8.5																																																																																																																																																																																																																																																																																																
1Ah	-9																																																																																																																																																																																																																																																																																																
1Ch	-9.5																																																																																																																																																																																																																																																																																																
1Eh	-10																																																																																																																																																																																																																																																																																																
20h	-10.5																																																																																																																																																																																																																																																																																																
22h	-11																																																																																																																																																																																																																																																																																																
24h	-11.5																																																																																																																																																																																																																																																																																																
26h	-12																																																																																																																																																																																																																																																																																																
28h	-12.5																																																																																																																																																																																																																																																																																																
2Ah	-13																																																																																																																																																																																																																																																																																																
2Ch	-13.5																																																																																																																																																																																																																																																																																																
2Eh	-14																																																																																																																																																																																																																																																																																																
30h	-14.5																																																																																																																																																																																																																																																																																																
32h	-15																																																																																																																																																																																																																																																																																																
34h	-15.5																																																																																																																																																																																																																																																																																																
36h	-16																																																																																																																																																																																																																																																																																																
38h	-16.5																																																																																																																																																																																																																																																																																																
3Ah	-17																																																																																																																																																																																																																																																																																																
Other	NA																																																																																																																																																																																																																																																																																																
0	0	08	0	0	0	0	1	0	0	0	Initial Code Setting OTP Program	Program Initial Code Setting  The command required CLKEN=1. Refer to Register 0x22 for detail. BUSY pad will output high during operation.																																																																																																																																																																																																																																																																																					
0	0	09	0	0	0	0	1	0	0	1	Write Register for Initial Code Setting	Write Register for Initial Code Setting Selection A[7:0] ~ D[7:0]: Reserved Details refer to Application Notes of Initial Code Setting																																																																																																																																																																																																																																																																																					
0	1		A <sub>7</sub>	A <sub>6</sub>	A <sub>5</sub>	A <sub>4</sub>	A <sub>3</sub>	A <sub>2</sub>	A <sub>1</sub>	A <sub>0</sub>																																																																																																																																																																																																																																																																																							
0	1		B <sub>7</sub>	B <sub>6</sub>	B <sub>5</sub>	B <sub>4</sub>	B <sub>3</sub>	B <sub>2</sub>	B <sub>1</sub>	B <sub>0</sub>																																																																																																																																																																																																																																																																																							
0	1		C <sub>7</sub>	C <sub>6</sub>	C <sub>5</sub>	C <sub>4</sub>	C <sub>3</sub>	C <sub>2</sub>	C <sub>1</sub>	C <sub>0</sub>																																																																																																																																																																																																																																																																																							
0	1		D <sub>7</sub>	D <sub>6</sub>	D <sub>5</sub>	D <sub>4</sub>	D <sub>3</sub>	D <sub>2</sub>	D <sub>1</sub>	D <sub>0</sub>																																																																																																																																																																																																																																																																																							
0	0	0A	0	0	0	0	1	0	1	0	Read Register for Initial Code Setting	Read Register for Initial Code Setting																																																																																																																																																																																																																																																																																					
0	0	0C	0	0	0	0	1	1	0	0	Booster Soft start	Booster Enable with Phase 1, Phase 2 and Phase 3																																																																																																																																																																																																																																																																																					

Command Table											Command	Description																																																									
R/W#	D/C#	Hex	D7	D6	D5	D4	D3	D2	D1	D0																																																											
0	1		1	A <sub>6</sub>	A <sub>5</sub>	A <sub>4</sub>	A <sub>3</sub>	A <sub>2</sub>	A <sub>1</sub>	A <sub>0</sub>	Control	for soft start current and duration setting.  A[7:0] -> Soft start setting for Phase1 = 8Bh [POR] B[7:0] -> Soft start setting for Phase2 = 9Ch [POR] C[7:0] -> Soft start setting for Phase3 = 96h [POR] D[7:0] -> Duration setting = 0Fh [POR]  Bit Description of each byte: A[6:0] / B[6:0] / C[6:0]: <table border="1" data-bbox="1038 510 1497 853"> <thead> <tr> <th>Bit[6:4]</th> <th>Driving Strength Selection</th> </tr> </thead> <tbody> <tr><td>000</td><td>1(Weakest)</td></tr> <tr><td>001</td><td>2</td></tr> <tr><td>010</td><td>3</td></tr> <tr><td>011</td><td>4</td></tr> <tr><td>100</td><td>5</td></tr> <tr><td>101</td><td>6</td></tr> <tr><td>110</td><td>7</td></tr> <tr><td>111</td><td>8(Strongest)</td></tr> </tbody> </table> <table border="1" data-bbox="1038 875 1497 1429"> <thead> <tr> <th>Bit[3:0]</th> <th>Min Off Time Setting of GDR [ Time unit ]</th> </tr> </thead> <tbody> <tr><td>0000</td><td rowspan="2">NA</td></tr> <tr><td>~ 0011</td></tr> <tr><td>0100</td><td>2.6</td></tr> <tr><td>0101</td><td>3.2</td></tr> <tr><td>0110</td><td>3.9</td></tr> <tr><td>0111</td><td>4.6</td></tr> <tr><td>1000</td><td>5.4</td></tr> <tr><td>1001</td><td>6.3</td></tr> <tr><td>1010</td><td>7.3</td></tr> <tr><td>1011</td><td>8.4</td></tr> <tr><td>1100</td><td>9.8</td></tr> <tr><td>1101</td><td>11.5</td></tr> <tr><td>1110</td><td>13.8</td></tr> <tr><td>1111</td><td>16.5</td></tr> </tbody> </table> D[5:0]: duration setting of phase D[5:4]: duration setting of phase 3 D[3:2]: duration setting of phase 2 D[1:0]: duration setting of phase 1 <table border="1" data-bbox="1038 1547 1497 1749"> <thead> <tr> <th>Bit[1:0]</th> <th>Duration of Phase [Approximation]</th> </tr> </thead> <tbody> <tr><td>00</td><td>10ms</td></tr> <tr><td>01</td><td>20ms</td></tr> <tr><td>10</td><td>30ms</td></tr> <tr><td>11</td><td>40ms</td></tr> </tbody> </table>	Bit[6:4]	Driving Strength Selection	000	1(Weakest)	001	2	010	3	011	4	100	5	101	6	110	7	111	8(Strongest)	Bit[3:0]	Min Off Time Setting of GDR [ Time unit ]	0000	NA	~ 0011	0100	2.6	0101	3.2	0110	3.9	0111	4.6	1000	5.4	1001	6.3	1010	7.3	1011	8.4	1100	9.8	1101	11.5	1110	13.8	1111	16.5	Bit[1:0]	Duration of Phase [Approximation]	00	10ms	01	20ms	10	30ms	11	40ms
Bit[6:4]	Driving Strength Selection																																																																				
000	1(Weakest)																																																																				
001	2																																																																				
010	3																																																																				
011	4																																																																				
100	5																																																																				
101	6																																																																				
110	7																																																																				
111	8(Strongest)																																																																				
Bit[3:0]	Min Off Time Setting of GDR [ Time unit ]																																																																				
0000	NA																																																																				
~ 0011																																																																					
0100	2.6																																																																				
0101	3.2																																																																				
0110	3.9																																																																				
0111	4.6																																																																				
1000	5.4																																																																				
1001	6.3																																																																				
1010	7.3																																																																				
1011	8.4																																																																				
1100	9.8																																																																				
1101	11.5																																																																				
1110	13.8																																																																				
1111	16.5																																																																				
Bit[1:0]	Duration of Phase [Approximation]																																																																				
00	10ms																																																																				
01	20ms																																																																				
10	30ms																																																																				
11	40ms																																																																				
0	1		1	B <sub>6</sub>	B <sub>5</sub>	B <sub>4</sub>	B <sub>3</sub>	B <sub>2</sub>	B <sub>1</sub>	B <sub>0</sub>																																																											
0	1		1	C <sub>6</sub>	C <sub>5</sub>	C <sub>4</sub>	C <sub>3</sub>	C <sub>2</sub>	C <sub>1</sub>	C <sub>0</sub>																																																											
0	1		0	0	D <sub>5</sub>	D <sub>4</sub>	D <sub>3</sub>	D <sub>2</sub>	D <sub>1</sub>	D <sub>0</sub>																																																											

Command Table											Command	Description						
R/W#	D/C#	Hex	D7	D6	D5	D4	D3	D2	D1	D0								
0	0	10	0	0	0	1	0	0	0	0	Deep Sleep mode	Deep Sleep mode Control:						
0	1		0	0	0	0	0	0	A <sub>1</sub>	A <sub>0</sub>		<table border="1"> <tr> <td>A[1:0] :</td> <td>Description</td> </tr> <tr> <td>00</td> <td>Normal Mode [POR]</td> </tr> <tr> <td>11</td> <td>Enter Deep Sleep Mode 2</td> </tr> </table> <p>After this command initiated, the chip will enter Deep Sleep Mode, BUSY pad will keep output high.</p> <p>Remark: *To Exit Deep Sleep mode, User required to send HWRESET to the driver</p>	A[1:0] :	Description	00	Normal Mode [POR]	11	Enter Deep Sleep Mode 2
A[1:0] :	Description																	
00	Normal Mode [POR]																	
11	Enter Deep Sleep Mode 2																	
0	0	11	0	0	0	1	0	0	0	1	Data Entry mode setting	Define data entry sequence						
0	1		0	0	0	0	0	A <sub>2</sub>	A <sub>1</sub>	A <sub>0</sub>		<p>A[2:0] = 011 [POR]</p> <p>A [1:0] = ID[1:0] Address automatic increment / decrement setting The setting of incrementing or decrementing of the address counter can be made independently in each upper and lower bit of the address. 00 –Y decrement, X decrement, 01 –Y decrement, X increment, 10 –Y increment, X decrement, 11 –Y increment, X increment [POR]</p> <p>A[2] = AM Set the direction in which the address counter is updated automatically after data are written to the RAM. AM= 0, the address counter is updated in the X direction. [POR] AM = 1, the address counter is updated in the Y direction.</p>						
0	0	12	0	0	0	1	0	0	1	0	SW RESET	It resets the commands and parameters to their S/W Reset default values except R10h-Deep Sleep Mode						
												<p>During operation, BUSY pad will output high.</p> <p>Note: RAM are unaffected by this command.</p>						

Command Table											Command	Description												
R/W#	D/C#	Hex	D7	D6	D5	D4	D3	D2	D1	D0														
0	0	14	0	0	0	1	0	1	0	0	HV Ready Detection	<p>HV ready detection A[7:0] = 00h [POR] The command required CLKEN=1 and ANALOGEN=1. Refer to Register 0x22 for detail. After this command initiated, HV Ready detection starts. BUSY pad will output high during detection. The detection result can be read from the Status Bit Read (Command 0x2F).</p>												
0	1		0	A <sub>6</sub>	A <sub>5</sub>	A <sub>4</sub>	0	A <sub>2</sub>	A <sub>1</sub>	A <sub>0</sub>		<p>A[6:4]=n for cool down duration: 10ms x (n+1) A[2:0]=m for number of Cool Down Loop to detect. The max HV ready duration is 10ms x (n+1) x (m) HV ready detection will be trigger after each cool down time. The detection will be completed when HV is ready. For 1 shot HV ready detection, A[7:0] can be set as 00h.</p>												
0	0	15	0	0	0	1	0	1	0	1	VCI Detection	<p>VCI Detection A[2:0] = 100 [POR] , Detect level at 2.3V A[2:0] : VCI level Detect</p> <table border="1"> <thead> <tr> <th>A[2:0]</th> <th>VCI level</th> </tr> </thead> <tbody> <tr> <td>100</td> <td>2.3V</td> </tr> <tr> <td>101</td> <td>2.4V</td> </tr> <tr> <td>110</td> <td>2.5V</td> </tr> <tr> <td>111</td> <td>2.6V</td> </tr> <tr> <td>Other</td> <td>NA</td> </tr> </tbody> </table> <p>The command required CLKEN=1 and ANALOGEN=1 Refer to Register 0x22 for detail.</p> <p>After this command initiated, VCI detection starts. BUSY pad will output high during detection. The detection result can be read from the Status Bit Read (Command 0x2F).</p>	A[2:0]	VCI level	100	2.3V	101	2.4V	110	2.5V	111	2.6V	Other	NA
A[2:0]	VCI level																							
100	2.3V																							
101	2.4V																							
110	2.5V																							
111	2.6V																							
Other	NA																							
0	1		0	0	0	0	0	A <sub>2</sub>	A <sub>1</sub>	A <sub>0</sub>														

Command Table																																	
R/W#	D/C#	Hex	D7	D6	D5	D4	D3	D2	D1	D0	Command	Description																					
0	0	16	0	0	0	1	0	1	1	0	Program WS password to OTP	Program R4C Password to OTP. Remark: Require clock is active. And Busy = 1 during operation																					
0	1		A7	A6	A5	A4	A3	A2	A1	A0																							
0	0	17	0	0	0	1	0	1	1	1	Program Automated	Program OTP auto: <table border="1" style="width: 100%; border-collapse: collapse;"> <thead> <tr> <th>A[7:0]</th> <th>OTP area</th> <th>Ref to</th> </tr> </thead> <tbody> <tr> <td>8</td> <td>Program Init code</td> <td>Cmd08</td> </tr> <tr> <td>16</td> <td>Program PW</td> <td>Cmd16</td> </tr> <tr> <td>2a</td> <td>Program VCOM</td> <td>Cmd2A</td> </tr> <tr> <td>30</td> <td>Program LUT</td> <td>Cmd30</td> </tr> <tr> <td>36</td> <td>Program User_ID</td> <td>Cmd36</td> </tr> <tr> <td>Others</td> <td>Program NA</td> <td>NA</td> </tr> </tbody> </table> Remark: 1. Command 17 only operating in internal program mode. 2. Command 17 action performed: open clock -> analog on -> program OTP -> analog off -> clock off. Busy = 1 during operation	A[7:0]	OTP area	Ref to	8	Program Init code	Cmd08	16	Program PW	Cmd16	2a	Program VCOM	Cmd2A	30	Program LUT	Cmd30	36	Program User_ID	Cmd36	Others	Program NA	NA
A[7:0]	OTP area	Ref to																															
8	Program Init code	Cmd08																															
16	Program PW	Cmd16																															
2a	Program VCOM	Cmd2A																															
30	Program LUT	Cmd30																															
36	Program User_ID	Cmd36																															
Others	Program NA	NA																															
0	1		A7	A6	A5	A4	A3	A2	A1	A0																							
0	0	18	0	0	0	1	1	0	0	0	Temperature Sensor Control	Temperature Sensor Selection A[7:0] = 48h [POR], external temperature sensor A[7:0] = 80h Internal temperature sensor																					
0	1		A7	A6	A5	A4	A3	A2	A1	A0																							
0	0	1A	0	0	0	1	1	0	1	0	Temperature Sensor Control (Write to temperature register)	Write to temperature register. A[7:0] = 7Fh [POR]																					
0	1		A7	A6	A5	A4	A3	A2	A1	A0																							
0	0	1B	0	0	0	1	1	0	1	1	Temperature Sensor Control (Read from temperature register)	Read from temperature register.																					
1	1		A7	A6	A5	A4	A3	A2	A1	A0																							
0	0	1C	0	0	0	1	1	1	0	0	Temperature Sensor Control (Write Command to External temperature sensor)	Write Command to External temperature sensor. A[7:0] = 00h [POR], B[7:0] = 00h [POR], C[7:0] = 00h [POR],  A[7:6] <table border="1" style="width: 100%; border-collapse: collapse;"> <thead> <tr> <th>A[7:6]</th> <th>Select no of byte to be sent</th> </tr> </thead> <tbody> <tr> <td>00</td> <td>Address + pointer</td> </tr> <tr> <td>01</td> <td>Address + pointer + 1st parameter</td> </tr> <tr> <td>10</td> <td>Address + pointer + 1st parameter + 2nd pointer</td> </tr> <tr> <td>11</td> <td>Address</td> </tr> </tbody> </table> A[5:0] – Pointer Setting B[7:0] – 1 <sup>st</sup> parameter C[7:0] – 2 <sup>nd</sup> parameter The command required CLKEN=1. Refer to Register 0x22 for detail.	A[7:6]	Select no of byte to be sent	00	Address + pointer	01	Address + pointer + 1st parameter	10	Address + pointer + 1st parameter + 2nd pointer	11	Address											
A[7:6]	Select no of byte to be sent																																
00	Address + pointer																																
01	Address + pointer + 1st parameter																																
10	Address + pointer + 1st parameter + 2nd pointer																																
11	Address																																
0	1		A7	A6	A5	A4	A3	A2	A1	A0																							
0	1		B7	B6	B5	B4	B3	B2	B1	B0																							
0	1		C7	C6	C5	C4	C3	C2	C1	C0		After this command initiated, Write Command to external temperature sensor starts. BUSY pad will output high during operation.																					

Command Table																								
R/W#	D/C#	Hex	D7	D6	D5	D4	D3	D2	D1	D0	Command	Description												
0	0	20	0	0	1	0	0	0	0	0	Master Activation	<p>Activate Display Update Sequence</p> <p>The Display Update Sequence Option is located at R22h.</p> <p>BUSY pad will output high during operation. User should not interrupt this operation to avoid corruption of panel images.</p>												
0	0	21	0	0	1	0	0	0	0	1	Display Update Control 1	<p>RAM content option for Display Update A[7:0] = 00h [POR] B[7:0] = 00h [POR]</p> <p>A[7:4] Red RAM option</p> <table border="1"> <tr> <td>0000</td> <td>Normal</td> </tr> <tr> <td>0100</td> <td>Bypass RAM content as 0</td> </tr> <tr> <td>1000</td> <td>Inverse RAM content</td> </tr> </table> <p>A[3:0] BW RAM option</p> <table border="1"> <tr> <td>0000</td> <td>Normal</td> </tr> <tr> <td>0100</td> <td>Bypass RAM content as 0</td> </tr> <tr> <td>1000</td> <td>Inverse RAM content</td> </tr> </table> <p>B[4] ckouten, Cascade selection 0: Single chip application 1: Cascade application Remark : For cascade mode, connect CL pin between Master sample with Slave sample.</p>	0000	Normal	0100	Bypass RAM content as 0	1000	Inverse RAM content	0000	Normal	0100	Bypass RAM content as 0	1000	Inverse RAM content
0000	Normal																							
0100	Bypass RAM content as 0																							
1000	Inverse RAM content																							
0000	Normal																							
0100	Bypass RAM content as 0																							
1000	Inverse RAM content																							
0	1		A <sub>7</sub>	A <sub>6</sub>	A <sub>5</sub>	A <sub>4</sub>	A <sub>3</sub>	A <sub>2</sub>	A <sub>1</sub>	A <sub>0</sub>														
0	1		0	0	0	B <sub>4</sub>	0	0	0	0														

Command Table											Command	Description		
R/W#	D/C#	Hex	D7	D6	D5	D4	D3	D2	D1	D0				
0	0	22	0	0	1	0	0	0	1	0	Display Update Control 2	Display Update Sequence Option: Enable the stage for Master Activation A[7:0]= FFh (POR)		
0	1		A7	A6	A5	A4	A3	A2	A1	A0				
													<b>Operating sequence</b>	<b>Parameter (in Hex)</b>
													Enable clock signal	80
													Disable clock signal	01
													Enable clock signal → Enable Analog	C0
													Disable Analog → Disable clock signal	03
													Enable clock signal → Load LUT (3-color mode) → Disable clock signal	91
													Enable clock signal → Load LUT (black/white mode) → Disable clock signal	99
													Enable clock signal → Load temperature value → Load LUT (3-color mode) → Disable clock signal	B1
													Enable clock signal → Load temperature value → Load LUT (black/white mode) → Disable clock signal	B9
													Enable clock signal → Enable Analog → Display (3-color mode) → Disable Analog → Disable OSC	C7
													Enable clock signal → Enable Analog → Display (black/white mode) → Disable Analog → Disable OSC	CF
													Enable clock signal → Enable Analog → Load temperature value → Load LUT (3-color mode) → DISPLAY (3-color mode) → Disable Analog → Disable OSC	F7
													Enable clock signal → Enable Analog → Load temperature value → Load LUT (black/white mode) → DISPLAY (black/white mode) → Disable Analog → Disable OSC	FF
0	0	24	0	0	1	0	0	1	0	0	Write RAM (Black White) / RAM 0x24	After this command, data entries will be written into the BW RAM until another command is written. Address pointers will advance accordingly  For Write pixel: Content of Write RAM(BW) = 1 For Black pixel: Content of Write RAM(BW) = 0		

Command Table												
R/W#	D/C#	Hex	D7	D6	D5	D4	D3	D2	D1	D0	Command	Description
0	0	26	0	0	1	0	0	1	1	0	Write RAM (RED) / RAM 0x26	<p>After this command, data entries will be written into the RED RAM until another command is written. Address pointers will advance accordingly.</p> <p>For Red pixel: Content of Write RAM(RED) = 1 For non-Red pixel [Black or White]: Content of Write RAM(RED) = 0</p>
0	0	27	0	0	1	0	0	1	1	1	Read RAM	<p>After this command, data read on the MCU bus will fetch data from RAM. According to parameter of Register 41h to select reading RAM0x24/ RAM0x26, until another command is written. Address pointers will advance accordingly.</p> <p>The 1<sup>st</sup> byte of data read is dummy data.</p>
0	0	28	0	0	1	0	1	0	0	0	VCOM Sense	<p>Enter VCOM sensing conditions and hold for duration defined in 29h before reading VCOM value.</p> <p>The sensed VCOM voltage is stored in register</p> <p>The command required ENABLE CLOCK SIGNAL and ENABLE ANALOG. Refer to Register 0x22 for detail.</p> <p>BUSY pad will output high during operation.</p>
0	0	29	0	0	1	0	1	0	0	1	VCOM Sense Duration	<p>Stabling time between entering VCOM sensing mode and reading acquired.</p> <p>A[3:0] = 9h, duration = 10s. VCOM sense duration = (A[3:0]+1) sec</p>
0	1		0	1	0	0	A <sub>3</sub>	A <sub>2</sub>	A <sub>1</sub>	A <sub>0</sub>		
0	0	2A	0	0	1	0	1	0	1	0	Program VCOM OTP	<p>Program VCOM register into OTP</p> <p>The command required ENABLE CLOCK. Refer to Register 0x22 for detail.</p> <p>BUSY pad will output high during operation.</p>

Command Table											Command	Description				
R/W#	D/C#	Hex	D7	D6	D5	D4	D3	D2	D1	D0						
0	0	2C	0	0	1	0	1	1	0	0	Write VCOM register	Write VCOM register from MCU interface A[7:0] = 00h [POR]				
0	1		A7	A6	A5	A4	A3	A2	A1	A0						
													A[7:0]	VCOM		
													08h	-0.2	44h	-1.7
													0Ch	-0.3	48h	-1.8
													10h	-0.4	4Ch	-1.9
													14h	-0.5	50h	-2
													18h	-0.6	54h	-2.1
													1Ch	-0.7	58h	-2.2
													20h	-0.8	5Ch	-2.3
													24h	-0.9	60h	-2.4
													28h	-1	64h	-2.5
													2Ch	-1.1	68h	-2.6
													30h	-1.2	6Ch	-2.7
													34h	-1.3	70h	-2.8
													38h	-1.4	74h	-2.9
											3Ch	-1.5	78h	-3		
											40h	-1.6	Other	NA		
0	0	2D	0	0	1	0	1	1	0	1	OTP Register Read for Display Option	Read Register for Display Option:  A[7:0]: VCOM OTP Selection (Command 0x37, Byte A)  B[7:0]: VCOM Register (Command 0x2C)  C[7:0] ~G[7:0]: Display Mode (Command 0x37, Byte B to Byte F) [5 bytes]  H[7:0] ~K[7:0]: Waveform Version (Command 0x37, Byte G to Byte J) [4 bytes]				
1	1		A7	A6	A5	A4	A3	A2	A1	A0						
1	1		B7	B6	B5	B4	B3	B2	B1	B0						
1	1		C7	C6	C5	C4	C3	C2	C1	C0						
1	1		D7	D6	D5	D4	D3	D2	D1	D0						
1	1		E7	E6	E5	E4	E3	E2	E1	E0						
1	1		F7	F6	F5	F4	F3	F2	F1	F0						
1	1		G7	G6	G5	G4	G3	G2	G1	G0						
1	1		H7	H6	H5	H4	H3	H2	H1	H0						
1	1		I7	I6	I5	I4	I3	I2	I1	I0						
1	1		J7	J6	J5	J4	J3	J2	J1	J0						
1	1		K7	K6	K5	K4	K3	K2	K1	K0						
0	0	2E	0	0	1	0	1	1	1	0	User ID Read	Read 10 Byte User ID stored in OTP: A[7:0] ~J[7:0]: User ID (R38, Byte A and Byte J) [10 bytes]				
1	1		A7	A6	A5	A4	A3	A2	A1	A0						
1	1		B7	B6	B5	B4	B3	B2	B1	B0						
1	1		C7	C6	C5	C4	C3	C2	C1	C0						
1	1		D7	D6	D5	D4	D3	D2	D1	D0						
1	1		E7	E6	E5	E4	E3	E2	E1	E0						
1	1		F7	F6	F5	F4	F3	F2	F1	F0						
1	1		G7	G6	G5	G4	G3	G2	G1	G0						
1	1		H7	H6	H5	H4	H3	H2	H1	H0						
1	1		I7	I6	I5	I4	I3	I2	I1	I0						
1	1		J7	J6	J5	J4	J3	J2	J1	J0						

Command Table											Command	Description
R/W#	D/C#	Hex	D7	D6	D5	D4	D3	D2	D1	D0		
0	0	2F	0	0	1	0	1	1	1	1	Status Bit Read	Read IC status Bit [POR 0x01] A[5]: HV Ready Detection flag [POR=0] 0: Ready 1: Not Ready A[4]: VCI Detection flag [POR=0] 0: Normal 1: VCI lower than the Detect level A[3]: [POR=0] A[2]: Busy flag [POR=0] 0: Normal 1: BUSY A[1:0]: Chip ID [POR=01]  Remark: A[5] and A[4] status are not valid after RESET, they need to be initiated by command 0x14 and command 0x15 respectively.
1	1		0	0	A <sub>5</sub>	A <sub>4</sub>	0	0	A <sub>1</sub>	A <sub>0</sub>		
0	0	30	0	0	1	1	0	0	0	0	Program WS OTP	Program OTP of Waveform Setting The contents should be written into RAM before sending this command.  The command required CLKEN=1. Refer to Register 0x22 for detail. BUSY pad will output high during operation.
0	0	31	0	0	1	1	0	0	0	1	Load WS OTP	Load OTP of Waveform Setting  The command required CLKEN=1. Refer to Register 0x22 for detail.  BUSY pad will output high during operation.
0	0	32	0	0	1	1	0	0	1	0	Write LUT register	Write LUT register from MCU interface [227 bytes], which contains the content of VS[nX-LUTm], TP[nX], RP[n], SR[nXY], FR and XON[nXY] Refer to Session 6.7 WAVEFORM SETTING
0	1		A <sub>7</sub>	A <sub>6</sub>	A <sub>5</sub>	A <sub>4</sub>	A <sub>3</sub>	A <sub>2</sub>	A <sub>1</sub>	A <sub>0</sub>		
0	1		B <sub>7</sub>	B <sub>6</sub>	B <sub>5</sub>	B <sub>4</sub>	B <sub>3</sub>	B <sub>2</sub>	B <sub>1</sub>	B <sub>0</sub>		
0	1		:	:	:	:	:	:	:	:		
0	1		.	..	.	.	.	.	.	.		
0	0	34	0	0	1	1	0	1	0	0	CRC calculation	CRC calculation command For details, please refer to SSD1683A application note.  BUSY pad will output high during operation.
0	0	35	0	0	1	1	0	1	0	1	CRC Status Read	CRC Status Read A[15:0] is the CRC read out value
1	1		A <sub>15</sub>	A <sub>14</sub>	A <sub>13</sub>	A <sub>12</sub>	A <sub>11</sub>	A <sub>10</sub>	A <sub>9</sub>	A <sub>8</sub>		
1	1		A <sub>7</sub>	A <sub>6</sub>	A <sub>5</sub>	A <sub>4</sub>	A <sub>3</sub>	A <sub>2</sub>	A <sub>1</sub>	A <sub>0</sub>		

Command Table											Command	Description
R/W#	D/C#	Hex	D7	D6	D5	D4	D3	D2	D1	D0		
0	0	36	0	0	1	1	0	1	1	0	Program OTP selection	Program OTP Selection according to the OTP Selection Control [R37h and R38h]  The command required ENABLE CLOCK. Refer to Register 0x22 for detail. BUSY pad will output high during operation.
0	0	37	0	0	1	1	0	1	1	1	Write Register for Display Option	Write Register for Display Option A[7] Spare VCOM OTP selection 0: Default [POR] 1: Spare  B[7:0] Display Mode for WS[7:0] C[7:0] Display Mode for WS[15:8] D[7:0] Display Mode for WS[23:16] 0: Display Mode 1(3-color mode) 1: Display Mode 2(black/white mode)  F[6]: Ping-Pong for black/white mode 0: RAM Ping-Pong disable [POR] 1: RAM Ping-Pong enable  G[7:0]~J[7:0] module ID /waveform version.  Remarks: 1) A[7:0]~J[7:0] can be stored in OTP by command 0x36 2) RAM Ping-Pong function is not support for 3-color mode
0	1		A <sub>7</sub>	0	0	0	0	0	0	0		
0	1		B <sub>7</sub>	B <sub>6</sub>	B <sub>5</sub>	B <sub>4</sub>	B <sub>3</sub>	B <sub>2</sub>	B <sub>1</sub>	B <sub>0</sub>		
0	1		C <sub>7</sub>	C <sub>6</sub>	C <sub>5</sub>	C <sub>4</sub>	C <sub>3</sub>	C <sub>2</sub>	C <sub>1</sub>	C <sub>0</sub>		
0	1		D <sub>7</sub>	D <sub>6</sub>	D <sub>5</sub>	D <sub>4</sub>	D <sub>3</sub>	D <sub>2</sub>	D <sub>1</sub>	D <sub>0</sub>		
0	1		E <sub>7</sub>	E <sub>6</sub>	E <sub>5</sub>	E <sub>4</sub>	E <sub>3</sub>	E <sub>2</sub>	E <sub>1</sub>	E <sub>0</sub>		
0	1		0	F <sub>6</sub>	0	0	F <sub>3</sub>	F <sub>2</sub>	F <sub>1</sub>	F <sub>0</sub>		
0	1		G <sub>7</sub>	G <sub>6</sub>	G <sub>5</sub>	G <sub>4</sub>	G <sub>3</sub>	G <sub>2</sub>	G <sub>1</sub>	G <sub>0</sub>		
0	1		H <sub>7</sub>	H <sub>6</sub>	H <sub>5</sub>	H <sub>4</sub>	H <sub>3</sub>	H <sub>2</sub>	H <sub>1</sub>	H <sub>0</sub>		
0	1		I <sub>7</sub>	I <sub>6</sub>	I <sub>5</sub>	I <sub>4</sub>	I <sub>3</sub>	I <sub>2</sub>	I <sub>1</sub>	I <sub>0</sub>		
0	1		J <sub>7</sub>	J <sub>6</sub>	J <sub>5</sub>	J <sub>4</sub>	J <sub>3</sub>	J <sub>2</sub>	J <sub>1</sub>	J <sub>0</sub>		
0	0	38	0	0	1	1	1	0	0	0	Write Register for User ID	Write Register for User ID A[7:0]~J[7:0]: UserID [10 bytes]  Remarks: A[7:0]~J[7:0] can be stored in OTP
0	1		A <sub>7</sub>	A <sub>6</sub>	A <sub>5</sub>	A <sub>4</sub>	A <sub>3</sub>	A <sub>2</sub>	A <sub>1</sub>	A <sub>0</sub>		
0	1		B <sub>7</sub>	B <sub>6</sub>	B <sub>5</sub>	B <sub>4</sub>	B <sub>3</sub>	B <sub>2</sub>	B <sub>1</sub>	B <sub>0</sub>		
0	1		C <sub>7</sub>	C <sub>6</sub>	C <sub>5</sub>	C <sub>4</sub>	C <sub>3</sub>	C <sub>2</sub>	C <sub>1</sub>	C <sub>0</sub>		
0	1		D <sub>7</sub>	D <sub>6</sub>	D <sub>5</sub>	D <sub>4</sub>	D <sub>3</sub>	D <sub>2</sub>	D <sub>1</sub>	D <sub>0</sub>		
0	1		E <sub>7</sub>	E <sub>6</sub>	E <sub>5</sub>	E <sub>4</sub>	E <sub>3</sub>	E <sub>2</sub>	E <sub>1</sub>	E <sub>0</sub>		
0	1		F <sub>7</sub>	F <sub>6</sub>	F <sub>5</sub>	F <sub>4</sub>	F <sub>3</sub>	F <sub>2</sub>	F <sub>1</sub>	F <sub>0</sub>		
0	1		G <sub>7</sub>	G <sub>6</sub>	G <sub>5</sub>	G <sub>4</sub>	G <sub>3</sub>	G <sub>2</sub>	G <sub>1</sub>	G <sub>0</sub>		
0	1		H <sub>7</sub>	H <sub>6</sub>	H <sub>5</sub>	H <sub>4</sub>	H <sub>3</sub>	H <sub>2</sub>	H <sub>1</sub>	H <sub>0</sub>		
0	1		I <sub>7</sub>	I <sub>6</sub>	I <sub>5</sub>	I <sub>4</sub>	I <sub>3</sub>	I <sub>2</sub>	I <sub>1</sub>	I <sub>0</sub>		
0	1		J <sub>7</sub>	J <sub>6</sub>	J <sub>5</sub>	J <sub>4</sub>	J <sub>3</sub>	J <sub>2</sub>	J <sub>1</sub>	J <sub>0</sub>		
0	0	39	0	0	1	1	1	0	0	1	OTP program mode	OTP program mode A[1:0] = 00: Normal Mode [POR] A[1:0] = 11: Internal generated OTP programming voltage  Remark: User is required to EXACTLY follow the reference code sequences
0	1		0	0	0	0	0	0	A <sub>1</sub>	A <sub>0</sub>		

Command Table											Command	Description																														
R/W#	D/C#	Hex	D7	D6	D5	D4	D3	D2	D1	D0																																
0	0	3C	0	0	1	1	1	1	0	0	Border Waveform Control	Select border waveform for VBD A[7:0] = C0h, set VBD as HIZ. A [7:6] :Select VBD option																														
0	1		A7	A6	A5	A4	0	0	A1	A0		<table border="1"> <thead> <tr> <th>A[7:6]</th> <th>Select VBD as</th> </tr> </thead> <tbody> <tr> <td>00</td> <td>GS Transition, Defined in A[2] and A[1:0]</td> </tr> <tr> <td>01</td> <td>Fix Level, Defined in A[5:4]</td> </tr> <tr> <td>10</td> <td>VCOM</td> </tr> <tr> <td>11[POR]</td> <td>HiZ</td> </tr> </tbody> </table> <p>A [5:4] Fix Level Setting for VBD</p> <table border="1"> <thead> <tr> <th>A[5:4]</th> <th>VBD level</th> </tr> </thead> <tbody> <tr> <td>00</td> <td>VSS</td> </tr> <tr> <td>01</td> <td>VSH1</td> </tr> <tr> <td>10</td> <td>VSL</td> </tr> <tr> <td>11</td> <td>VSH2</td> </tr> </tbody> </table> <p>A [1:0] GS Transition setting for VBD VBD Level Selection: 00b: VCOM ; 01b: VSH1; 10b: VSL; 11b: VSH2</p> <table border="1"> <thead> <tr> <th>A[1:0]</th> <th>VBD Transition</th> </tr> </thead> <tbody> <tr> <td>00</td> <td>LUT0</td> </tr> <tr> <td>01</td> <td>LUT1</td> </tr> <tr> <td>10</td> <td>LUT2</td> </tr> <tr> <td>11</td> <td>LUT3</td> </tr> </tbody> </table>	A[7:6]	Select VBD as	00	GS Transition, Defined in A[2] and A[1:0]	01	Fix Level, Defined in A[5:4]	10	VCOM	11[POR]	HiZ	A[5:4]	VBD level	00	VSS	01	VSH1	10	VSL	11	VSH2	A[1:0]	VBD Transition	00	LUT0	01	LUT1	10	LUT2	11	LUT3
A[7:6]	Select VBD as																																									
00	GS Transition, Defined in A[2] and A[1:0]																																									
01	Fix Level, Defined in A[5:4]																																									
10	VCOM																																									
11[POR]	HiZ																																									
A[5:4]	VBD level																																									
00	VSS																																									
01	VSH1																																									
10	VSL																																									
11	VSH2																																									
A[1:0]	VBD Transition																																									
00	LUT0																																									
01	LUT1																																									
10	LUT2																																									
11	LUT3																																									
0	0	3F	0	0	1	1	1	1	1	1	End Option (EOPT)	Option for LUT end																														
0	1		A7	A6	A5	A4	A3	A2	A1	A0		Set this byte to 22h																														
0	0	41	0	1	0	0	0	0	0	1	Read RAM Option	Read RAM Option																														
0	1		0	0	0	A4	0	0	0	A0		A[0]= 0 [POR]																														
0	1		B7	B6	B5	B4	B3	B2	B1	B0		0 : Read RAM corresponding to RAM0x24 1 : Read RAM corresponding to RAM0x26																														
0	1		C7	C6	C5	C4	C3	C2	C1	C0		A[4] =0: select CRC check mode to window mode by C44/C45 window set. A[4] =1: select CRC check mode to Counter mode follow {C[7:0], B[7:0]} set values . {C[7:0], B[7:0]} : default is 0x1608, as the LUT bytes is 5640 bytes.																														
0	0	44	0	1	0	0	0	1	0	0	Set RAM X - address Start / End position	Specify the start/end positions of the window address in the X direction by an address unit for RAM																														
0	1		0	0	A5	A4	A3	A2	A1	A0																																
0	1		0	0	B5	B4	B3	B2	B1	B0		A[5:0]: XSA[5:0], XStart, POR = 00h B[5:0]: XEA[5:0], XEnd, POR = 31h																														

Command Table											Command	Description																																								
R/W#	D/C#	Hex	D7	D6	D5	D4	D3	D2	D1	D0																																										
0	0	45	0	1	0	0	0	1	0	1	Set Ram Y- address Start / End position	Specify the start/end positions of the window address in the Y direction by an address unit for RAM  A[8:0]: YSA[8:0], YStart, POR = 000h B[8:0]: YEA[8:0], YEnd, POR = 12Bh																																								
0	1		A7	A6	A5	A4	A3	A2	A1	A0																																										
0	1		0	0	0	0	0	0	0	A8																																										
0	1		B7	B6	B5	B4	B3	B2	B1	B0																																										
0	1		0	0	0	0	0	0	0	B8																																										
0	0	46	0	1	0	0	0	1	1	0	Auto Write RED RAM for Regular Pattern	Auto Write RED RAM for Regular Pattern A[7:0] = 00h [POR]  A[7]: The 1st step value, POR = 0 A[6:4]: Step Height, POR= 000 Step of alter RAM in Y-direction according to Gate <table border="1"> <thead> <tr> <th>A[6:4]</th> <th>Height</th> <th>A[6:4]</th> <th>Height</th> </tr> </thead> <tbody> <tr> <td>000</td> <td>8</td> <td>100</td> <td>128</td> </tr> <tr> <td>001</td> <td>16</td> <td>101</td> <td>256</td> </tr> <tr> <td>010</td> <td>32</td> <td>110</td> <td>300</td> </tr> <tr> <td>011</td> <td>64</td> <td>111</td> <td>NA</td> </tr> </tbody> </table> A[2:0]: Step Width, POR= 000 Step of alter RAM in X-direction according to Source <table border="1"> <thead> <tr> <th>A[2:0]</th> <th>Width</th> <th>A[2:0]</th> <th>Width</th> </tr> </thead> <tbody> <tr> <td>000</td> <td>8</td> <td>100</td> <td>128</td> </tr> <tr> <td>001</td> <td>16</td> <td>101</td> <td>256</td> </tr> <tr> <td>010</td> <td>32</td> <td>110</td> <td>400</td> </tr> <tr> <td>011</td> <td>64</td> <td>111</td> <td>NA</td> </tr> </tbody> </table> BUSY pad will output high during operation.	A[6:4]	Height	A[6:4]	Height	000	8	100	128	001	16	101	256	010	32	110	300	011	64	111	NA	A[2:0]	Width	A[2:0]	Width	000	8	100	128	001	16	101	256	010	32	110	400	011	64	111	NA
A[6:4]	Height	A[6:4]	Height																																																	
000	8	100	128																																																	
001	16	101	256																																																	
010	32	110	300																																																	
011	64	111	NA																																																	
A[2:0]	Width	A[2:0]	Width																																																	
000	8	100	128																																																	
001	16	101	256																																																	
010	32	110	400																																																	
011	64	111	NA																																																	
0	1		A7	A6	A5	A4	0	A2	A1	A0																																										
0	0	47	0	1	0	0	0	1	1	1	Auto Write B/W RAM for Regular Pattern	Auto Write B/W RAM for Regular Pattern A[7:0] = 00h [POR]  A[7]: The 1st step value, POR = 0 A[6:4]: Step Height, POR= 000 Step of alter RAM in Y-direction according to Gate <table border="1"> <thead> <tr> <th>A[6:4]</th> <th>Height</th> <th>A[6:4]</th> <th>Height</th> </tr> </thead> <tbody> <tr> <td>000</td> <td>8</td> <td>100</td> <td>128</td> </tr> <tr> <td>001</td> <td>16</td> <td>101</td> <td>256</td> </tr> <tr> <td>010</td> <td>32</td> <td>110</td> <td>300</td> </tr> <tr> <td>011</td> <td>64</td> <td>111</td> <td>NA</td> </tr> </tbody> </table> A[2:0]: Step Width, POR= 000 Step of alter RAM in X-direction according to Source <table border="1"> <thead> <tr> <th>A[2:0]</th> <th>Width</th> <th>A[2:0]</th> <th>Width</th> </tr> </thead> <tbody> <tr> <td>000</td> <td>8</td> <td>100</td> <td>128</td> </tr> <tr> <td>001</td> <td>16</td> <td>101</td> <td>256</td> </tr> <tr> <td>010</td> <td>32</td> <td>110</td> <td>400</td> </tr> <tr> <td>011</td> <td>64</td> <td>111</td> <td>NA</td> </tr> </tbody> </table> During operation, BUSY pad will output high.	A[6:4]	Height	A[6:4]	Height	000	8	100	128	001	16	101	256	010	32	110	300	011	64	111	NA	A[2:0]	Width	A[2:0]	Width	000	8	100	128	001	16	101	256	010	32	110	400	011	64	111	NA
A[6:4]	Height	A[6:4]	Height																																																	
000	8	100	128																																																	
001	16	101	256																																																	
010	32	110	300																																																	
011	64	111	NA																																																	
A[2:0]	Width	A[2:0]	Width																																																	
000	8	100	128																																																	
001	16	101	256																																																	
010	32	110	400																																																	
011	64	111	NA																																																	
0	1		A7	A6	A5	A4	0	A2	A1	A0																																										

Command Table												
R/W#	D/C#	Hex	D7	D6	D5	D4	D3	D2	D1	D0	Command	Description
0	0	4E	0	1	0	0	1	1	1	0	Set RAM X address counter	Make initial settings for the RAM X address in the address counter (AC) A[5:0]: 00h [POR].
0	1		0	0	A <sub>5</sub>	A <sub>4</sub>	A <sub>3</sub>	A <sub>2</sub>	A <sub>1</sub>	A <sub>0</sub>		
0	0	4F	0	1	0	0	1	1	1	1	Set RAM Y address counter	Make initial settings for the RAM Y address in the address counter (AC) A[8:0]: 000h [POR].
0	1		A <sub>7</sub>	A <sub>6</sub>	A <sub>5</sub>	A <sub>4</sub>	A <sub>3</sub>	A <sub>2</sub>	A <sub>1</sub>	A <sub>0</sub>		
0	1		0	0	0	0	0	0	0	A <sub>8</sub>		
0	0	7F	0	1	1	1	1	1	1	1	NOP	This command is an empty command; it does not have any effect on the display module. However it can be used to terminate Frame Memory Write or Read Commands.

## 8 COMMAND DESCRIPTION

### 8.1 Driver Output Control (01h)

This triple byte command has multiple configurations and each bit setting is described as follows:

R/W	DC	IB7	IB6	IB5	IB4	IB3	IB2	IB1	IB0
W	1	MUX7	MUX6	MUX5	MUX4	MUX3	MUX2	MUX1	MUX0
	POR	0	0	1	0	1	0	1	1
W	1								MUX8
	POR								1
W	1						GD	SM	TB
	POR						0	0	0

**MUX[8:0]:** Specify number of lines for the driver: MUX[8:0] + 1. Multiplex ratio (MUX ratio) from 16 MUX to 300MUX.

**GD:** Selects the 1st output Gate

This bit is made to match the GATE layout connection on the panel. It defines the first scanning line.

**SM:** Change scanning order of gate driver.

When SM is set to 0, left and right interlaced is performed.

When SM is set to 1, no splitting odd / even of the GATE signal is performed,

Output pin assignment sequence is shown as below (for 300 MUX ratio):

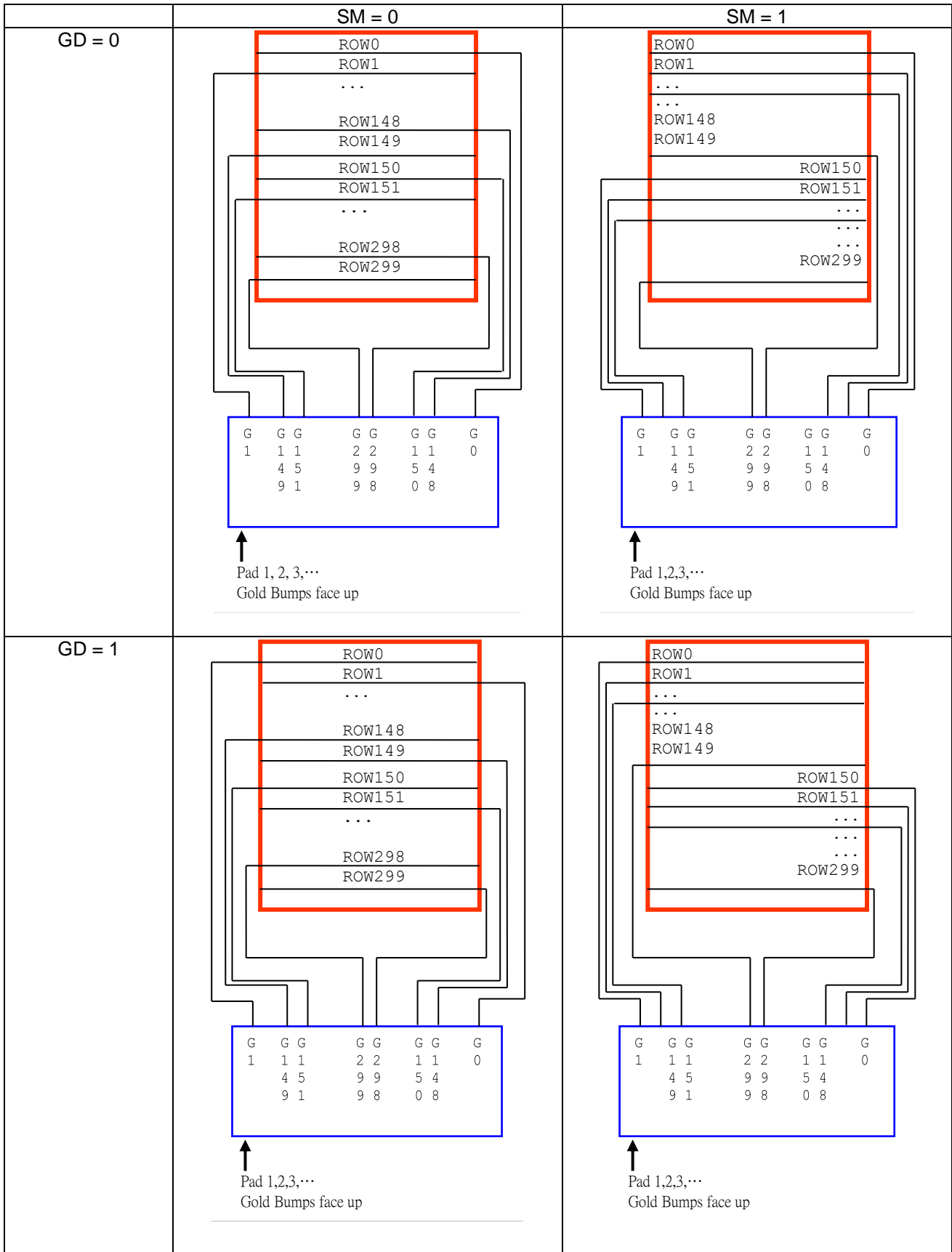
Driver	SM=0 GD=0	SM=0 GD=1	SM=1 GD=0	SM=1 GD=1
G0	ROW0	ROW1	ROW0	ROW150
G1	ROW1	ROW0	ROW150	ROW0
G2	ROW2	ROW3	ROW1	ROW151
G3	ROW3	ROW2	ROW151	ROW1
:	:	:	:	:
G148	ROW148	ROW149	ROW74	ROW224
G149	ROW149	ROW148	ROW224	ROW74
G150	ROW150	ROW151	ROW75	ROW225
G151	ROW151	ROW150	ROW225	ROW75
:	:	:	:	:
G296	ROW296	ROW297	ROW148	ROW298
G297	ROW297	ROW296	ROW298	ROW148
G298	ROW298	ROW299	ROW149	ROW299
G299	ROW299	ROW298	ROW299	ROW149

See "Scan Mode Setting" on next page.

**TB:** Change scanning direction of gate driver.

This bit defines the scanning direction of the gate for flexible layout of signals in module either from up to down (TB = 0) or from bottom to up (TB = 1).

**Figure 8-1: Output pin assignment on different Scan Mode Setting**



## 8.2 Data Entry Mode Setting (11h)

This command has multiple configurations and each bit setting is described as follows:

R/W	DC	IB7	IB6	IB5	IB4	IB3	IB2	IB1	IB0
W	1						AM	ID1	ID0
POR		0	0	0	0	0	0	1	1

**ID[1:0]:** The address counter is automatically incremented by 1, after data is written to the RAM when ID[1:0] = "01". The address counter is automatically decremented by 1, after data is written to the RAM when ID[1:0] = "00". The setting of incrementing or decrementing of the address counter can be made independently in each upper and lower bit of the address. The direction of the address when data is written to the RAM is set by AM bits.

**AM:** Set the direction in which the address counter is updated automatically after data are written to the RAM. When AM = "0", the address counter is updated in the X direction. When AM = "1", the address counter is updated in the Y direction. When window addresses are selected, data are written to the RAM area specified by the window addresses in the manner specified with ID[1:0] and AM bits.

	ID [1:0]="00" X: decrement Y: decrement	ID [1:0]="01" X: increment Y: decrement	ID [1:0]="10" X: decrement Y: increment	ID [1:0]="11" X: increment Y: increment
AM="0" X-mode	00,00h  31,12Bh	00,00h  31,12Bh	00,00h  31,12Bh	00,00h  31,12Bh
AM="1" Y-mode	00,00h  31,12Bh	00,00h  31,12Bh	00,00h  31,12Bh	00,00h  31,12Bh

The pixel sequence is defined by the ID [0],

	ID[1:0]="00" X: decrement Y: decrement	ID[1:0]="01" X: increment Y: decrement
AM="0" X-mode	00,00h  4, 3, 2, 1	00,00h  1, 2, 3, 4

31,12Bh

### 8.3 Set RAM X - Address Start / End Position (44h)

R/W	DC	IB7	IB6	IB5	IB4	IB3	IB2	IB1	IB0
W	1			XSA5	XSA4	XSA3	XSA2	XSA1	XSA0
POR		0	0	0	0	0	0	0	0
W	1			XEA5	XEA4	XEA3	XEA2	XEA1	XEA0
POR		0	0	1	1	0	0	0	1

**XSA[5:0]/XEA[5:0]:** Specify the start/end positions of the window address in the X direction by 8 times address unit. Data is written to the RAM within the area determined by the addresses specified by XSA [5:0] and XEA [5:0]. These addresses must be set before the RAM write.

It allows on  $XEA [5:0] \leq XSA [5:0]$ . The settings follow the condition on  $00h \leq XSA [5:0]$ ,  $XEA [5:0] \leq 31h$ . The windows is followed by the control setting of Data Entry Setting (R11h)

### 8.4 Set RAM Y - Address Start / End Position (45h)

R/W	DC	IB7	IB6	IB5	IB4	IB3	IB2	IB1	IB0
W	1	YSA7	YSA6	YSA5	YSA4	YSA3	YSA2	YSA1	YSA0
POR		0	0	0	0	0	0	0	0
W	1	0	0	0	0	0	0	0	YSA8
POR		0	0	0	0	0	0	0	0
W	1	YEA7	YEA6	YEA5	YEA4	YEA3	YEA2	YEA1	YEA0
POR		0	0	1	0	1	0	1	1
W	1	0	0	0	0	0	0	0	YEA8
POR		0	0	0	0	0	0	0	1

**YSA[8:0]/YEA[8:0]:** Specify the start/end positions of the window address in the Y direction by an address unit. Data is written to the RAM within the area determined by the addresses specified by YSA [8:0] and YEA [8:0]. These addresses must be set before the RAM write.

It allows  $YEA [8:0] \leq YSA [8:0]$ . The settings follow the condition on  $00h \leq YSA [8:0]$ ,  $YEA [8:0] \leq 12Bh$ . The windows is followed by the control setting of Data Entry Setting (R11h)

### 8.5 Set RAM Address Counter (4Eh-4Fh)

Reg#	R/W	DC	IB7	IB6	IB5	IB4	IB3	IB2	IB1	IB0
4Eh	W	1			XAD5	XAD4	XAD3	XAD2	XAD1	XAD0
	POR		0	0	0	0	0	0	0	0
4Fh	W	1	YAD7	YAD6	YAD5	YAD4	YAD3	YAD2	YAD1	YAD0
	POR		0	0	0	0	0	0	0	0
	W	1								YAD8
	POR									

**XAD[5:0]:** Make initial settings for the RAM X address in the address counter (AC).

**YAD[8:0]:** Make initial settings for the RAM Y address in the address counter (AC).

After RAM data is written, the address counter is automatically updated according to the settings with AM, ID bits and setting for a new RAM address is not required in the address counter. Therefore, data is written consecutively without setting an address. The address counter is not automatically updated when data is read out from the RAM. RAM address setting cannot be made during the standby mode. The address setting should be made within the area designated with window addresses which is controlled by the Data Entry Setting (R11h) {AM, ID[1:0]} ; RAM Address XStart / XEnd Position (R44h) and RAM Address Ystart /Yend Position (R45h). Otherwise undesirable image will be displayed on the Panel.

## 9 Operation Flow and Code Sequence

In this section, two SSD1683A operation flows with loading waveform LUT from OTP are introduced. The flows are shown in section 9.1 and section 9.2.

### 9.1 SSD1683A operation flow to drive display panel with power on/off

Figure 9-1 shows the SSD1683A operation flow to drive display panel with power on and off. In this flow, the driver IC will be off after display panel is update.

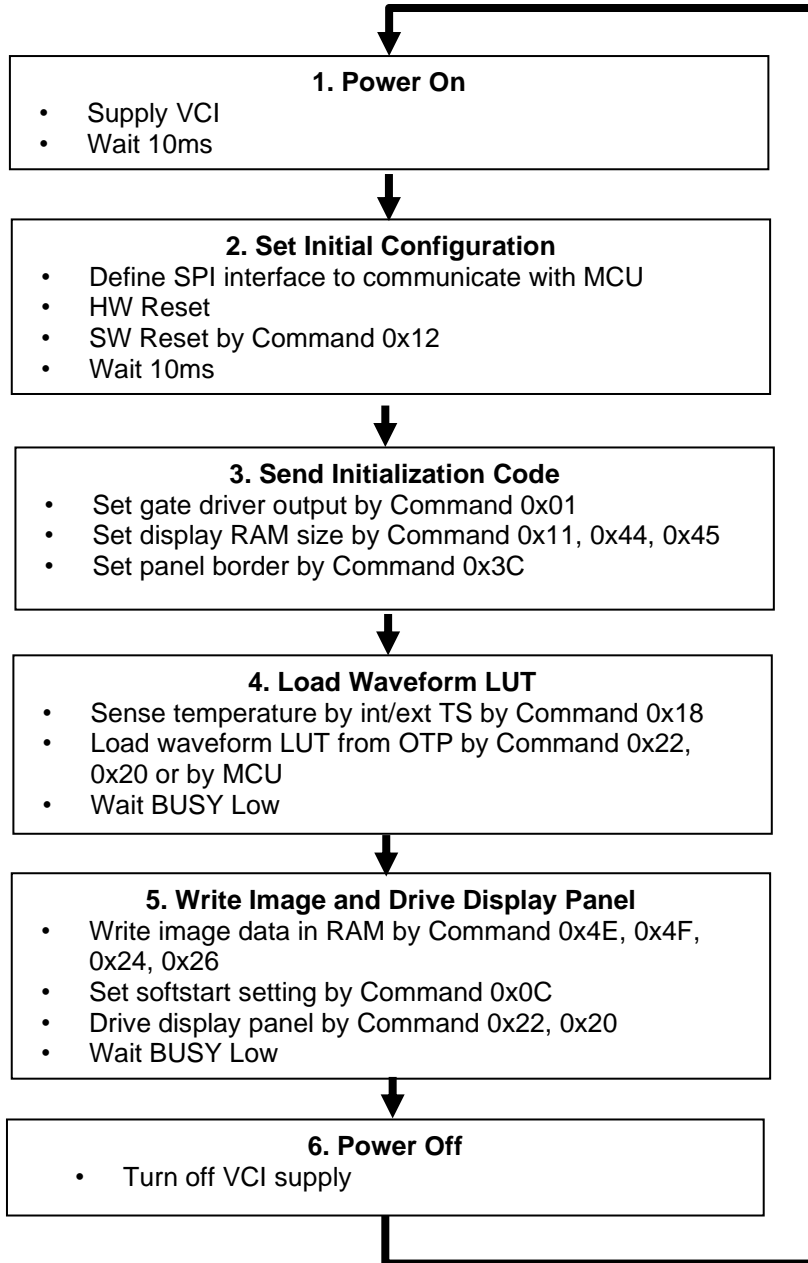


Figure 9-1: Operation flow to drive display panel power on/off

## 9.2 SSD1683A operation flow to enter deep sleep mode 2 after display update

Figure 9-2 shows the SSD1683A operation flow to enter deep sleep mode2 after display update. In this flow, the driver IC will enter the deep sleep mode 2 after display update.

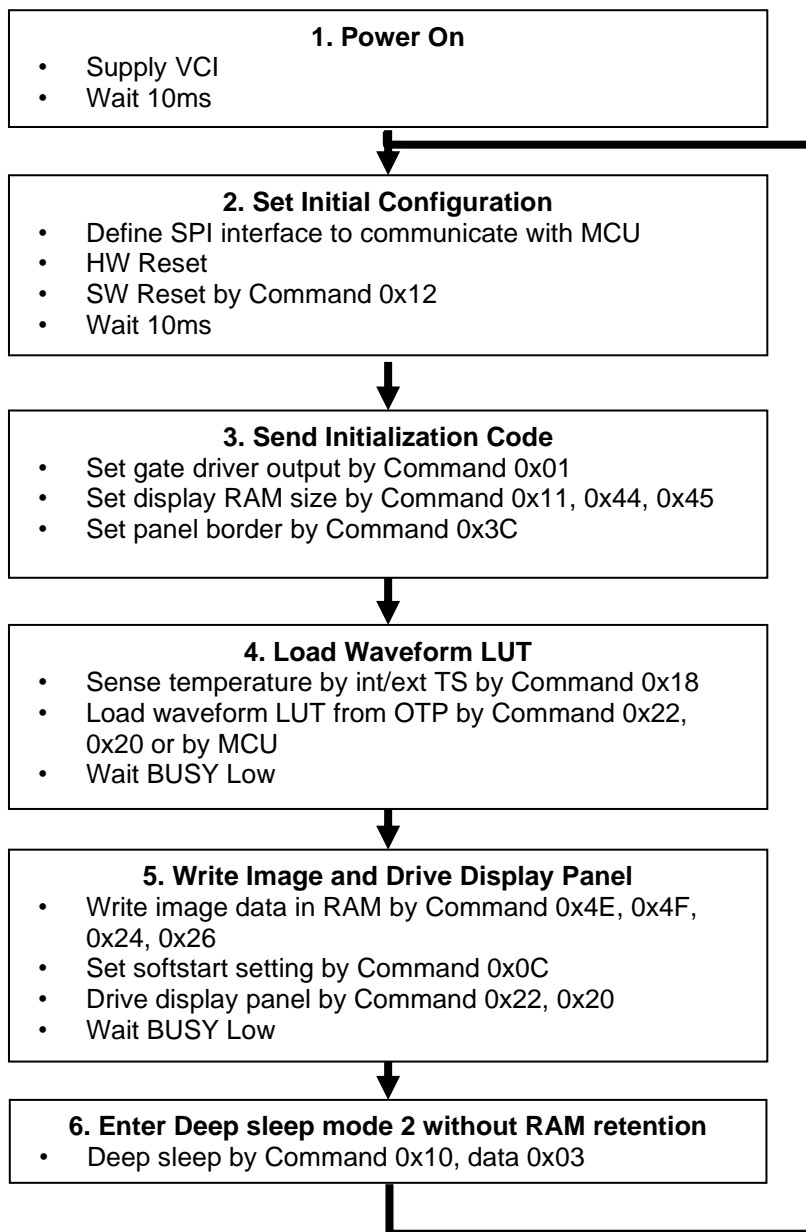


Figure 9-2: Operation flow to enter deep sleep mode 2 after display update

## 10 Absolute Maximum Rating

Table 10-1 : Maximum Ratings

Symbol	Parameter	Rating	Unit
V <sub>CI</sub>	Logic supply voltage	-0.5 to +6.0	V
V <sub>IN</sub>	Logic Input voltage	-0.5 to V <sub>DDIO</sub> +0.5	V
V <sub>OUT</sub>	Logic Output voltage	-0.5 to V <sub>DDIO</sub> +0.5	V
T <sub>OPR</sub>	Operation temperature range	-40 to +85	°C
T <sub>STG</sub>	Storage temperature range	-65 to +150	°C

Maximum ratings are those values beyond which damages to the device may occur. Functional operation should be restricted to the limits in the Electrical Characteristics tables or Pin Description section

This device contains circuitry to protect the inputs against damage due to high static voltages or electric fields; however, it is advised that normal precautions be taken to avoid application of any voltage higher than maximum rated voltages to this high impedance circuit. For proper operation it is recommended that V<sub>CI</sub> be constrained to the range V<sub>SS</sub> < V<sub>CI</sub>. Reliability of operation is enhanced if unused input is connected to an appropriate logic voltage level (e.g., either V<sub>SS</sub> or V<sub>DDIO</sub>). Unused outputs must be left open. This device may be light sensitive. Caution should be taken to avoid exposure of this device to any light source during normal operation. This device is not radiation protected.

## 11 Electrical Characteristics

The following specifications apply for: V<sub>SS</sub>=0V, V<sub>CI</sub>=3.0V, T<sub>OPR</sub>=25°C.

Table 11-1: DC Characteristics

Symbol	Parameter	Applicable pin	Test Condition	Min.	Typ.	Max.	Unit
V <sub>CI</sub>	V <sub>CI</sub> operation voltage	V <sub>CI</sub>	-	2.3	3.0	3.7	V
V <sub>COM_DC</sub>	V <sub>COM_DC</sub> output voltage	V <sub>COM</sub>	-	-3.0	-	-0.2	V
dV <sub>COM_DC</sub>	V <sub>COM_DC</sub> output voltage deviation	V <sub>COM</sub>	-	-200	-	200	mV
V <sub>COM_AC</sub>	V <sub>COM_AC</sub> output voltage	V <sub>COM</sub>	-	V <sub>SL</sub> + V <sub>COM_DC</sub>	V <sub>COM_DC</sub>	V <sub>SH1</sub> + V <sub>COM_DC</sub>	V
V <sub>GATE</sub>	Gate output voltage	G0~G299	-	-20	-	+20	V
V <sub>GATE(p-p)</sub>	Gate output peak to peak voltage	G0~G299	-	-	-	40	V
V <sub>SH1</sub>	Positive Source output voltage	V <sub>SH1</sub>	-	+8.6	+15	+17	V
dV <sub>SH1</sub>	V <sub>SH1</sub> output voltage deviation	V <sub>SH1</sub>	From 8.6V to 17V	-200	-	200	mV
V <sub>SH2</sub>	Positive Source output voltage	V <sub>SH2</sub>	-	+2.4	+5	+17	V
dV <sub>SH2</sub>	V <sub>SH2</sub> output voltage deviation	V <sub>SH2</sub>	From 2.4V to 8.6V	-100	-	100	mV
			From 8.8V to 17V	-200	-	200	mV
V <sub>SL</sub>	Negative Source output voltage	V <sub>SL</sub>	-	-17	-15	-5.0	V
dV <sub>SL</sub>	V <sub>SL</sub> output voltage deviation	V <sub>SL</sub>	-	-200	-	200	mV
V <sub>IH</sub>	High level input voltage	SDA, SCL, CS#, D/C#, RES#, BS1,	-	0.8V <sub>DDIO</sub>	-	-	V
V <sub>IL</sub>	Low level input voltage	M/S#, CL	-	-	-	0.2V <sub>DDIO</sub>	V
V <sub>OH</sub>	High level output voltage	SDA, BUSY, CL	I <sub>OH</sub> = -100uA	0.9V <sub>DDIO</sub>	-	-	V
V <sub>OL</sub>	Low level output voltage		I <sub>OL</sub> = 100uA	-	-	0.1V <sub>DDIO</sub>	V
V <sub>PP</sub>	OTP Program voltage	V <sub>PP</sub>	-	8.1	8.4	8.5	V

Symbol	Parameter	Applicable pin	Test Condition	Min.	Typ.	Max.	Unit
IsIp_VCI	Sleep mode current	VCI	- DC/DC off - No clock - No output load - MCU interface access - RAM data access	-	25	50	uA
Idslp_VCI2	Current of deep sleep mode 2	VCI	- DC/DC off - No clock - No output load - No MCU interface access - Cannot retain RAM data	-	1	4	uA
Iopr_VCI	Operating Mode current	VCI	VCI=3.0V	-	1000	-	uA
V <sub>GH</sub>	Operating Mode Output Voltage	VGH	Enable Clock and Analog by Master Activation Command VGH=20V VGL=-VGH VSH1=15V VSH2=5V VSL=-15V VCOM = -2V	19.5	20	20.5	V
V <sub>SH1</sub>		VSH1		14.8	15	15.2	V
V <sub>SH2</sub>		VSH2		4.9	5	5.1	V
V <sub>SL</sub>		VSL		-15.2	-15	-14.8	V
V <sub>COM</sub>		VCOM		-2.2	-2	-1.8	V
					No waveform transitions. No loading. No RAM read/write No OTP read /write		

Table 11-2: Regulators Characteristics

Symbol	Parameter	Test Condition	Applicable pin	Min.	Typ.	Max.	Unit
IVSH	VSH1 current	VSH1 = +15V	VSH1	-	-	800	uA
IVSH1	VSH2 current	VSH2 = +5V	VSH2	-	-	800	uA
IVSL	VSL current	VSL = -15V	VSL	-	-	800	uA
IVCOM	VCOM current	VCOM = -2V	VCOM	-	-	100	uA

## 12 AC Characteristics

### 12.1 Serial Peripheral Interface

The following specifications apply for: VDDIO - VSS = 2.3V to 3.7V, T<sub>OPR</sub> = 25°C, CL=20pF

Table 12-1 : Serial Peripheral Interface Timing Characteristics

Symbol	Parameter	Min	Typ	Max	Unit
t <sub>CSS</sub>	CS# select setup time	60			ns
t <sub>SCH</sub>	CS# select hold time	65			ns
t <sub>SCC</sub>	CS# deselect setup time	25			ns
t <sub>CHW</sub>	CS# deselect hold time	100			ns
t <sub>SCYCW</sub>	Serial clock cycle (Write)	50			ns
t <sub>SHW</sub>	SCL "H" pulse width (Write)	25			ns
t <sub>SLW</sub>	SCL "L" pulse width (Write)	25			ns
t <sub>SCYCL</sub>	Serial clock cycle (Read)	400			ns
t <sub>SHR</sub>	SCL "H" pulse width (Read)	180			ns
t <sub>SLR</sub>	SCL "L" pulse width (Read)	180			ns
t <sub>SDS</sub>	Data setup time	30			ns
t <sub>SDH</sub>	Data hold time	30			ns
t <sub>DCS</sub>	DC setup time	40			ns
t <sub>DCH</sub>	DC hold time	40			ns
t <sub>ACC</sub>	Access time			100	ns
t <sub>OH</sub>	Output disable time	15			ns

Note: All timings are based on 20% to 80% of VDDIO-VSS

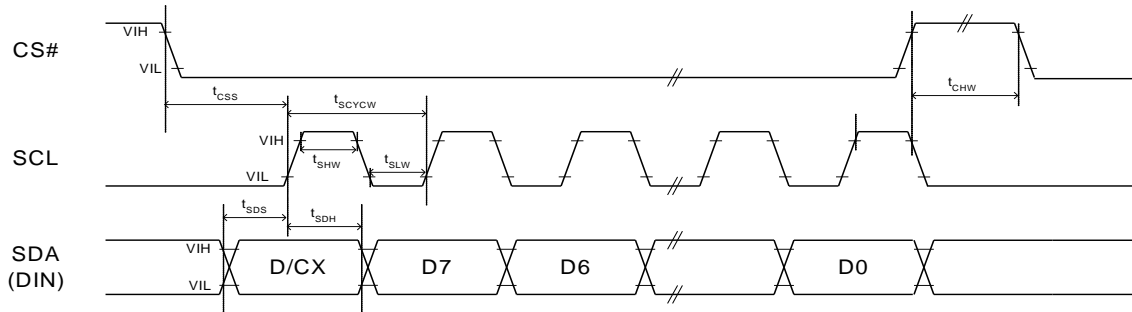


Figure 12-1: 3 pin serial interface characteristics (write mode)

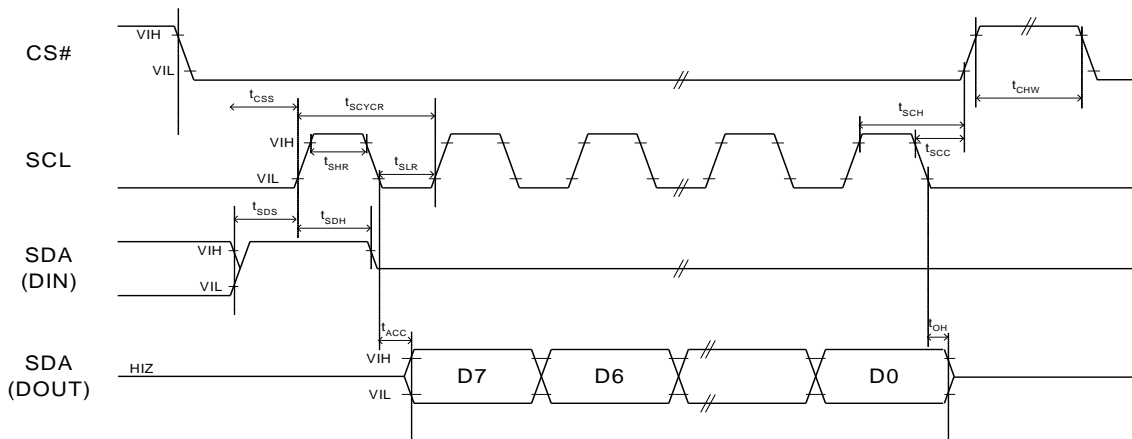


Figure 12-2: 3 pin serial interface characteristics (read mode)

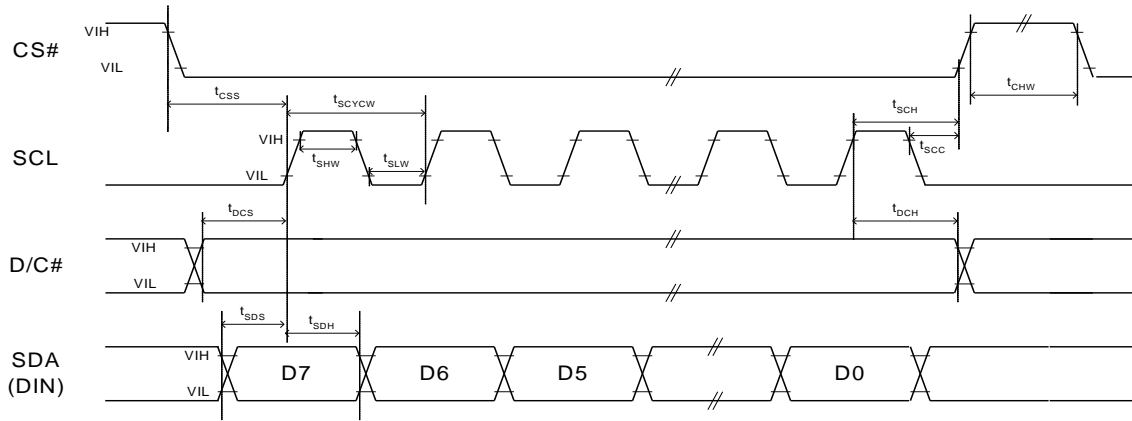


Figure 12-3: 4 pin serial interface characteristics (write mode)

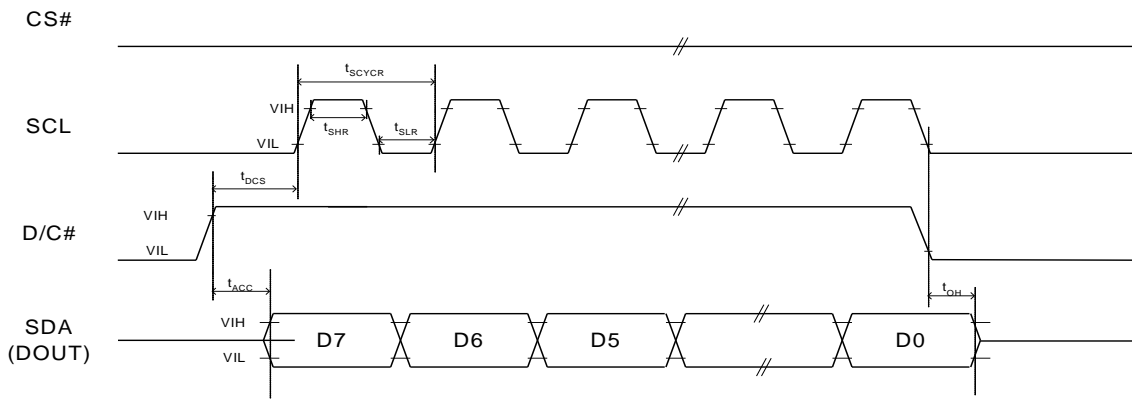


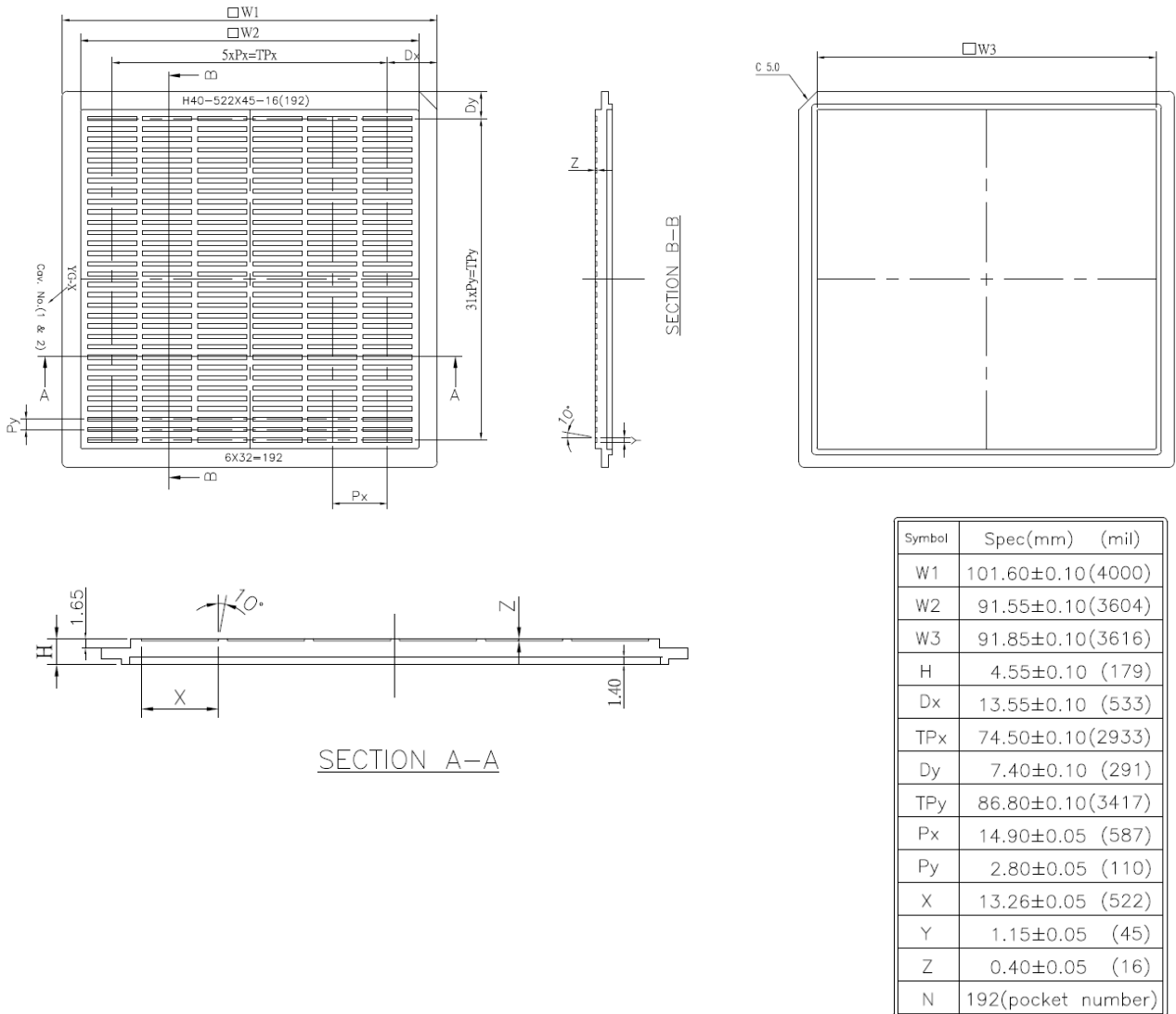
Figure 12-4: 4 pin serial interface characteristics (read mode)



# 14 PACKAGE INFORMATION

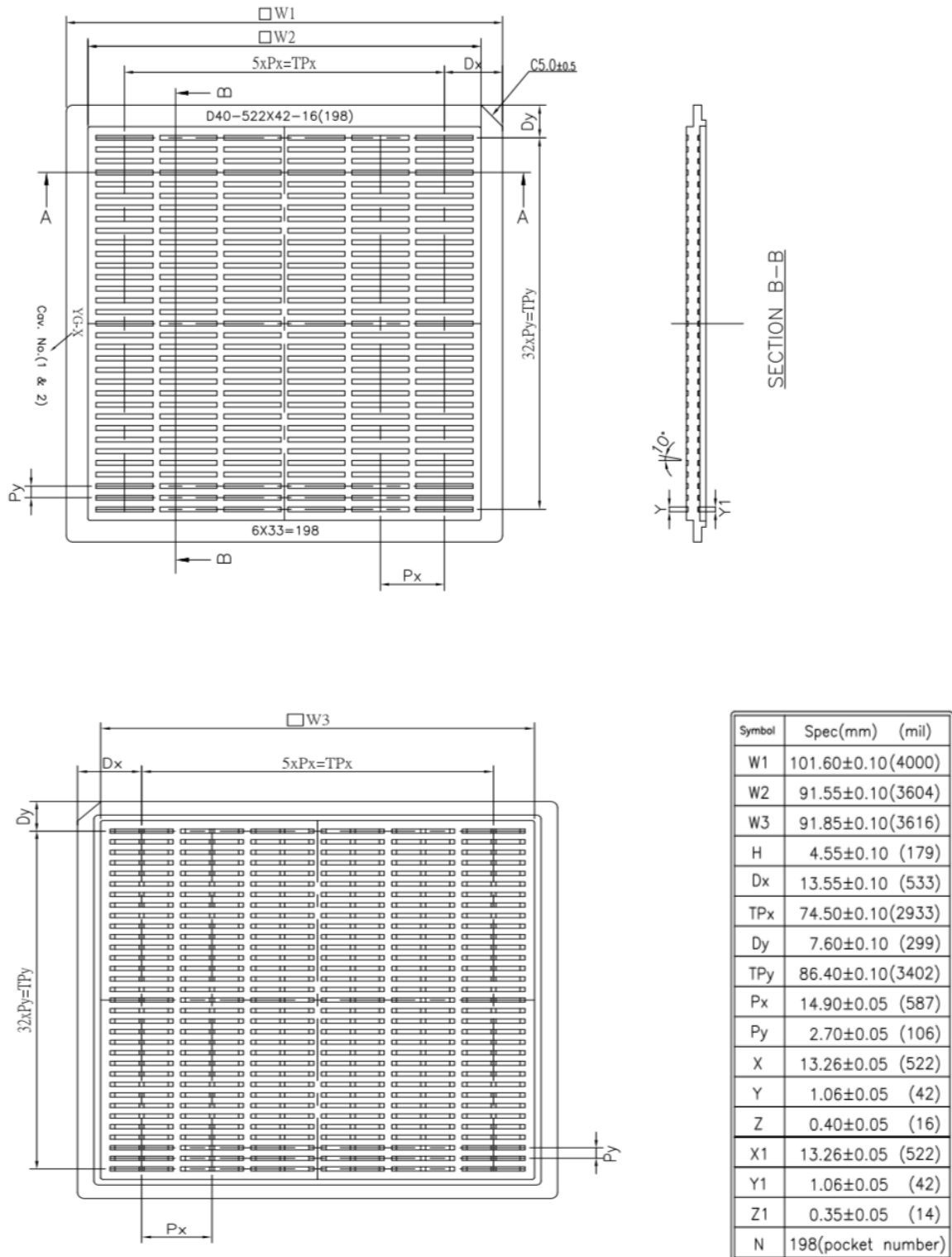
## 14.1 Die Tray Dimensions for SSD1683AZ2 (Face-Up)

Figure 14-1 : SSD1683AZ2 die tray information



## 14.2 Die Tray Dimensions for SSD1683AZA (Face-Down)

Figure 14-2 : SSD1683AZA die tray information (unit: mm)



Solomon Systech reserves the right to make changes without notice to any products herein. Solomon Systech makes no warranty, representation or guarantee regarding the suitability of its products for any particular purpose, nor does Solomon Systech assume any liability arising out of the application or use of any product or circuit, and specifically disclaims any, and all, liability, including without limitation consequential or incidental damages. "Typical" parameters can and do vary in different applications. All operating parameters, including "Typical" must be validated for each customer application by the customer's technical experts. Solomon Systech does not convey any license under its patent rights nor the rights of others. Solomon Systech products are not designed, intended, or authorized for use as components in systems intended for surgical implant into the body, or other applications intended to support or sustain life, or for any other application in which the failure of the Solomon Systech product could create a situation where personal injury or death may occur. Should Buyer purchase or use Solomon Systech products for any such unintended or unauthorized application, Buyer shall indemnify and hold Solomon Systech and its offices, employees, subsidiaries, affiliates, and distributors harmless against all claims, costs, damages, and expenses, and reasonable attorney fees arising out of, directly or indirectly, any claim of personal injury or death associated with such unintended or unauthorized use, even if such claim alleges that Solomon Systech was negligent regarding the design or manufacture of the part.



The product(s) listed in this datasheet comply with Directive (EU) 2015/863 of 31 March 2015 amending Annex II to Directive 2011/65/EU of the European Parliament and of the Council as regards the list of restricted substances and People's Republic of China Electronic Industry Standard GB/T 26572-2011 "Requirements for concentration limits for certain hazardous substances in electronic information products (电子电器产品中限用物质的限用要求)". Hazardous Substances test report is available upon request.

<http://www.solomon-systech.com>