



ST7701SN

Datasheet

Sitronix reserves the right to change the contents in this document without prior notice, please contact Sitronix to obtain the latest version of datasheet before placing your order. No responsibility is assumed by Sitronix for any infringement of patent or other rights of third parties which may result from its use.

© 2017 Sitronix Technology Corporation. All rights reserved.

Version N1.0

2021/11

LIST OF CONTENT

1	GENERAL DESCRIPTION	8
2	FEATURES	9
3	PAD ARRANGEMENT	11
3.1	OUTPUT BUMP DIMENSION.....	11
3.2	INPUT BUMP DIMENSION.....	12
3.3	ALIGNMENT MARK DIMENSION.....	13
3.4	CHIP INFORMATION.....	13
4	PAD CENTER COORDINATES (AFTER HEAT CORRECTION)	14
5	BLOCK DIAGRAM	35
6	PIN DESCRIPTION	36
6.1	POWER SUPPLY PINS.....	36
6.2	BUS INTERFACE PINS.....	37
6.3	DRIVER OUTPUT PINS.....	40
6.4	TEST AND OTHER PINS.....	40
7	DRIVER ELECTRICAL CHARACTERISTICS	42
7.1	ABSOLUTE OPERATION RANGE.....	42
7.2	DC CHARACTERISTICS.....	43
7.3	DC CHARACTERISTICS.....	45
7.4	POWER CONSUMPTION.....	46
7.5	AC CHARACTERISTICS.....	47
7.5.1	<i>Serial Interface Characteristics (3-line serial):</i>	47
7.5.2	<i>Serial Interface Characteristics (4-line serial):</i>	48
7.5.3	<i>RGB Interface Characteristics :</i>	49
7.5.4	<i>MIPI Interface Characteristics:</i>	50
7.5.4.1	<i>High Speed Mode</i>	50
7.5.4.2	<i>Low Power Mode</i>	51
7.5.4.3	<i>DSI Bursts Mode</i>	52
7.5.5	<i>Reset Timing:</i>	54
8	FUNCTION DESCRIPTION	56
8.1	SYSTEM INTERFACE.....	56
8.2	SERIAL INTERFACE (ONLY COMMAND).....	57
8.2.1	<i>Serial Interface (SPI)</i>	58
8.2.1.1	<i>Command write mode</i>	58

8.2.2 *Read function*..... 60

8.3 16 BIT SERIAL INTERFACE..... 64

8.3.1 *Write Mode*..... 64

8.3.2 *Read Mode* 66

8.4 DATA TRANSFER BREAK AND RECOVERY 68

8.5 DATA TRANSFER PAUSE 70

8.5.1 *SPI interface pause* 71

8.6 RGB INTERFACE..... 72

8.6.1 *RGB Color Format* 73

8.6.2 *RGB Interface Definition* 74

8.6.3 *RGB Interface Mode Selection*..... 75

8.6.4 *RGB Interface Timing* 75

8.7 MIPI-DSI INTERFACE..... 77

8.7.1 *Display Module Pin Configuration for DSI*..... 78

8.7.2 *Display Serial Interface (DSI)* 79

8.7.2.1 *General description*..... 79

8.7.2.2 *Interface level communication* 79

8.7.2.2.1 *General* 79

8.7.2.2.2 *DSI-CLK Lanes* 81

8.7.2.2.2.1 *Low Power Mode (LPM)*..... 82

8.7.2.2.2.2 *Ultra Low Power Mode (ULPM)* 84

8.7.2.2.2.3 *High-speed Clock Mode (HSCM)*..... 85

8.7.2.2.3 *DSI-DATA LANES*..... 87

8.7.2.2.3.1 *GENERAL* 87

8.7.2.2.3.2 *ESCAPE MODE*..... 88

8.7.2.2.3.3 *HIGH SPEED DATA TRANSMISSION (HSDT)*..... 95

8.7.2.3 *Packet Level Communication*..... 100

8.7.2.3.1 *Short Packet (SPA) And Long Packet (LPA) Structure* 100

8.7.2.3.1.1 *Bit Order of the Byte on Packets* 101

8.7.2.3.1.2 *Bit Order of the Multiple Byte Information on Packets*..... 101

8.7.2.3.1.3 *Pack Header (PH)*..... 102

8.7.2.3.1.4 *Packet Data (PD) on the Long Packet (LPa)*..... 114

8.7.2.3.1.5 *Packet Footer (PF) on the Long Packet (LPa)*..... 114

8.7.2.3.2 *Packet Transmissions* 116

8.7.2.3.2.1 *Packet from the MCU to the Display Module*..... 116

8.7.2.3.2.2 *PACKET FROM THE DISPLAY MODULE TO THE MCU* 139

8.7.2.3.3 *COMMUNICATION SEQUENCES* 151

8.7.2.3.3.1 *GENERAL* 151

8.7.2.3.3.2	SEQUENCES	152
8.7.2.4	Video Mode Communication	157
8.7.2.4.1	TRANSMISSION PACKET SEQUENCES	157
8.7.2.4.2	NON-BURST MODE WITH SYNC PULSES.....	159
8.7.2.4.3	NON-BURST MODE.....	160
8.7.2.4.4	BURST MODE	161
9	POWER ON/OFF SEQUENCE.....	162
9.1	UNCONTROLLED POWER OFF	165
10	POWER LEVEL DEFINITION	166
10.1	POWER LEVEL	166
10.2	POWER FLOW CHART	167
10.3	SLEEP OUT –COMMAND AND SELF-DIAGNOSTIC FUNCTIONS OF THE DISPLAY MODULE	169
10.3.1	Register loading Detection.....	169
10.3.2	Functionality Detection.....	170
11	GAMMA CORRECTION	171
11.1	GRAY VOLTAGE GENERATOR FOR DIGITAL GAMMA CORRECTION.....	176
11.2	DISPLAY DIMMING	177
11.3	CONTENT ADAPTIVE BRIGHTNESS CONTROL (CABC)	180
12	COMMAND	186
12.1	COMMAND TRANSMISSION MODE ON MIPI INTERFACE	186
12.2	SYSTEM FUNCTION COMMAND TABLE 1.....	186
12.2.1	NOP (00/0000h).....	189
12.2.2	SWRESET (01h/0100h): Software Reset	190
12.2.3	RDDID (04h/0400h~0402h): Read Display ID	191
12.2.4	RDNUMED (05h/0500h): Read Number of Errors on DSI.....	192
12.2.5	RDRED (06h/0600h): Read the first pixel of Red Color	193
12.2.6	RDGREEN (07h/0700h): Read the first pixel of Green Color	194
12.2.7	RDBLUE (08h/0800h): Read the first pixel of Blue Color.....	195
12.2.8	RDDPM (0Ah/0A00h): Read Display Power Mode	196
12.2.9	RDDMADCTL (0Bh/0B00h): Read Display MADCTL.....	197
12.2.10	RDDCOLMOD (0Ch/0C00h): Read Display Pixel Format.....	198
12.2.11	RDDIM (0Dh/0D00h): Read Display Image Mode.....	199
12.2.12	RDDSM (0Eh/0E00h): Read Display Signal Mode.....	200
12.2.13	RDDSDR (0Fh/0F00h): Read Display Self-Diagnostic Result	201
12.2.14	SLPIN (10h/1000h): Sleep in	202

12.2.15	<i>SLPOUT (11h/1100h): Sleep Out</i>	203
12.2.16	<i>PTLON (12h/1200h): Partial Display Mode On</i>	204
12.2.17	<i>NORON (13h/1300h): Normal Display Mode On</i>	205
12.2.18	<i>INVOFF (20h/2000h): Display Inversion Off</i>	206
12.2.19	<i>INVON (21h/2100h): Display Inversion On</i>	207
12.2.20	<i>ALLPOFF (22h/2200h): All Pixel Off</i>	208
12.2.21	<i>ALLPON (23h/2300h): All Pixel ON</i>	209
12.2.22	<i>GAMSET (26h/2600h): Gamma Set</i>	210
12.2.23	<i>DISPOFF (28h/2800h): Display Off</i>	211
12.2.24	<i>DISPON (29h/2900h): Display On</i>	212
12.2.25	<i>TEOFF (34h/3400h):Tearing Effect Line OFF</i>	213
12.2.26	<i>TEON (35h/3500h):Tearing Effect Line ON</i>	214
12.2.27	<i>MADCTL(36h/3600h): Display data access control</i>	216
12.2.28	<i>IDMOFF (38h/3800h): Idle Mode Off</i>	217
12.2.29	<i>IDMON (39h/3900h): Idle Mode On</i>	218
12.2.30	<i>COLMOD (3Ah/3A00h): Interface Pixel Format</i>	220
12.2.31	<i>GSL (45h): Get Scan Line</i>	221
12.2.32	<i>WRDISBV (51h): Write Display Brightness</i>	222
12.2.33	<i>RDDISBV (52h/5200h): Read Display Brightness Value</i>	223
12.2.34	<i>WRCTRLD (53h/5300h): Write CTRL Display</i>	224
12.2.35	<i>RDCTRLD (54h): Read CTRL Value Display</i>	226
12.2.36	<i>WRCACE (55h/5500h): Write Content Adaptive Brightness Control and Color Enhancement</i>	227
12.2.37	<i>RDCABC (56h/5600h): Read Content Adaptive Brightness Control</i>	229
12.2.38	<i>WRCABCMB (5Eh/5E00h): Write CABC Minimum Brightness</i>	231
12.2.39	<i>RDCABCMB (5Fh/5F00h): Read CABC Minimum Brightness</i>	232
12.2.40	<i>RDABCSDR (68h/6800h): Read Automatic Brightness Control Self-Diagnostic Result</i>	233
12.2.41	<i>RDBWLB (70h/7000h):Read Black/White Low Bits</i>	234
12.2.42	<i>RDBkx (71h/7100h):Read Bkx</i>	235
12.2.43	<i>RDBky (72h/7200h):Read Bky</i>	236
12.2.44	<i>RDWx (73h/7300h):Read Wx</i>	237
12.2.45	<i>RDWy (74h/7400h):Read Wy</i>	238
12.2.46	<i>RDRGLB (75h/7500h):Read Red/Green Low Bits</i>	239
12.2.47	<i>RDRx (76h/7600h):Read Rx</i>	240
12.2.48	<i>RDRy (77h/7700h):Read Ry</i>	241
12.2.49	<i>RDGx (78h/7800h):Read Gx</i>	242
12.2.50	<i>RDGy (79h/7900h):Read Gy</i>	243
12.2.51	<i>RDBALB (7Ah/7A00h):Read Blue/A Color Low Bits</i>	244
12.2.52	<i>RDBx (7Bh/7B00h):Read Bx</i>	245

12.2.53	<i>RDBy (7Ch/7C00h):Read By</i>	246
12.2.54	<i>RDAx (7Dh/7D00h):Read Ax</i>	247
12.2.55	<i>RDAY (7Eh/7E00h):Read Ay</i>	248
12.2.56	<i>RDDDBS (A1h/A100h): Read DDB Start</i>	249
12.2.57	<i>RDDDBC (A8h/A800h): Read DDB Continue</i>	251
12.2.58	<i>RDFCS (AAh/AA00h): Read First Checksum</i>	252
12.2.59	<i>RDCCS (AFh/AF00h): Read Continue Checksum</i>	253
12.2.60	<i>RDID1 (DAh/DA00h): Read ID1</i>	254
12.2.61	<i>RDID2 (DBh/DB00h): Read ID2</i>	255
12.2.62	<i>RDID3 (DCh/DC00h): Read ID3</i>	256
12.3	SYSTEM FUNCTION COMMAND TABLE 2	257
12.3.1	<i>CND2BKxSEL (FFh/FF00h): Command2 BKx Selection</i>	262
12.3.2	<i>Command 2 BK0 Function</i>	263
12.3.2.1	<i>PVGAMCTRL (B0h/B000h): Positive Voltage Gamma Control</i>	263
12.3.2.2	<i>NVGAMCTRL (B1h/B100h): Negative Voltage Gamma Control</i>	265
12.3.2.3	<i>DGMEN (B8h/B800h): Digital Gamma Enable</i>	267
12.3.2.4	<i>DGMLUTR (B9h/B900h): Digital Gamma Look-up Table for Red</i>	268
12.3.2.5	<i>DGMLUTB (BAh/BA00h): Digital Gamma Look-up Table for Blue</i>	269
12.3.2.6	<i>PWM CLK SEL(BC0h/BC00h):PWM CLK select</i>	270
12.3.2.7	<i>LNESET (C0h/C000h): Display Line Setting</i>	271
12.3.2.8	<i>PORCTRL (C1h/C100h):Porch Control</i>	272
12.3.2.9	<i>INVSET (C2h/C200h):Inversion selection & Frame Rate Control</i>	273
12.3.2.10	<i>RGBCTRL (C3h/C300h):RGB control</i>	274
12.3.2.11	<i>PARCTRL (C5h/C500h):Partial Mode Control</i>	275
12.3.2.12	<i>SDIR (C7h/C700): X-direction Control</i>	276
12.3.2.13	<i>PDOSET (C8h/C800h):Pseudo-Dot inversion diving setting</i>	277
12.3.2.14	<i>COLCTRL (CDh/CD00h):Color Control</i>	278
12.3.2.16	<i>SECTRL (E0h/E000h):Sunlight Readable Enhancement</i>	280
12.3.2.17	<i>NRCTRL (E1h/E100h):Noise Reduce Control</i>	281
12.3.2.18	<i>SECTRL (E2h/E200h):Sharpness Control</i>	282
12.3.2.19	<i>CCCTRL (E3h/E300h):Color Calibration Control</i>	283
12.3.2.20	<i>SKCTRL (E4h/E400h):Skin Tone Preservation Control</i>	284
12.3.2.24	<i>DSTBT: Deep Standby Mode Active</i>	288
12.3.3	<i>Command 2 BK1 Function</i>	289
12.3.3.1	<i>VRHS (B0h/B000h):Vop Amplitude setting</i>	289
12.3.3.2	<i>VCOMS (B1h/B100h):VCOM amplitude setting</i>	290
12.3.3.3	<i>VGHSS (B2h/B200h):VGH Voltage setting</i>	291
12.3.3.4	<i>TESTCMD (B3h/B300h):TEST Command Setting</i>	292

12.3.3.5	<i>VGLS (B5h/B500h):VGL Voltage setting</i>	293
12.3.3.6	<i>PWCTRL1 (B7h/B700h):Power Control 1</i>	294
12.3.3.7	<i>PWCTRL2 (B8h/B800h):Power Control 2</i>	295
12.3.3.9	<i>PCLKS1 (BAh/BA00h):Power pumping clk selection 1</i>	297
12.3.3.11	<i>PCLKS3 (BCh/BC00h):Power pumping clk selection 3</i>	299
12.3.3.12	<i>SPD1 (C1h/C100h): Source pre_drive timing set1</i>	300
12.3.3.14	<i>MIPASET1 (D0h/D000h):MIPI Setting 1</i>	302
12.3.3.15	<i>MIPASET2 (D1h/D100h):MIPI Setting 2</i>	303
12.3.3.16	<i>MIPASET3 (D2h/D200h):MIPI Setting 3</i>	305
12.3.3.17	<i>MIPASET4 (D3h/D300h):MIPI Setting 4</i>	306
13	APPLICATION CIRCUIT	307
13.1	VOLTAGE GENERATION	308
13.2	RELATIONSHIP ABOUT SOURCE VOLTAGE	309
14	REVISION HISTORY	310

1 GENERAL DESCRIPTION

The ST7701SN, a 16.7M-color System-on-Chip (SOC) driver LSI designed for small and medium sizes of TFT LCD display, is capable of supporting up to 480RGBX960 in resolution which can transmit graphic data without RAM. The 480-channel source driver has true 8-bit resolution, which generates 256 Gamma-corrected values by an internal D/A converter.

The ST7701SN is able to operate with low IO interface power supply and incorporate with several charge pumps to generate various voltage levels that form an on-chip power management system for gate driver and source driver.

The built-in timing controller in ST7701SN can support several interfaces for the diverse request of medium or small size portable display. ST7701SN provides several system interfaces, which include MIPI/RGB. For further power control, the dynamic backlight control function basing on displaying image content is also supported.

2 FEATURES

- Single chip WVGA a-Si TFT-LCD Controller/Driver without Display RAM
- Display Resolution
 - 480*RGB (H) *960(V) (FWVGA)
 - 480*RGB (H) *864(V) (WVGA)
 - 480*RGB (H) *854(V)
 - 480*RGB (H) *800(V)
 - 480*RGB (H) *720(V)
 - 480*RGB (H) *640(V) (VGA)
 - 480*RGB (H) *360(V)
- LCD Driver Output Circuits
 - Source Outputs: 480 RGB Channels
 - Support gate control signals to gate driver in the panel
 - Common Electrode Output
- Display Colors (Color Mode)
 - Full Color mode : 16.7M-colors, RGB=(888) max., Idle Mode Off
 - Reduce color mode: 262K colors
 - Reduce color mode: 65K colors
 - Idle Mode: 8-color, RGB=(111)
- Programmable Pixel Color Format (Color Depth) for Various Display Data input Format
 - 24-bit/pixel: RGB=(888)
 - 18-bit/pixel: RGB=(666)
 - 16-bit/pixel: RGB=(565)
- Display Interface
 - 8 bit,9bit and 16 bit serial peripheral interface
 - 16/18/24 RGB Interface(VSYNC, HSYNC, DOTCLK, ENABLE, DB[17:0], Sync and DE mode)
 - MIPI Display Serial Interface (DSI V1.01 r11 and D-PHY V1.0, 1 clock and 1 or 2 data lane pairs)
 - Supports one data lane / maximum speed 800Mbps
 - Supports two data lanes / maximum speed 550Mbps
- Display Features
 - Programmable Partial Display Duty
 - CABC for saving current consumption
 - Color enhancement
- On Chip Build-In Circuits
 - DC/DC Converter
 - Adjustable VCOM Generation
 - Non-Volatile (NV) Memory to Store Initial Register Setting and Factory Default Value (Module ID,

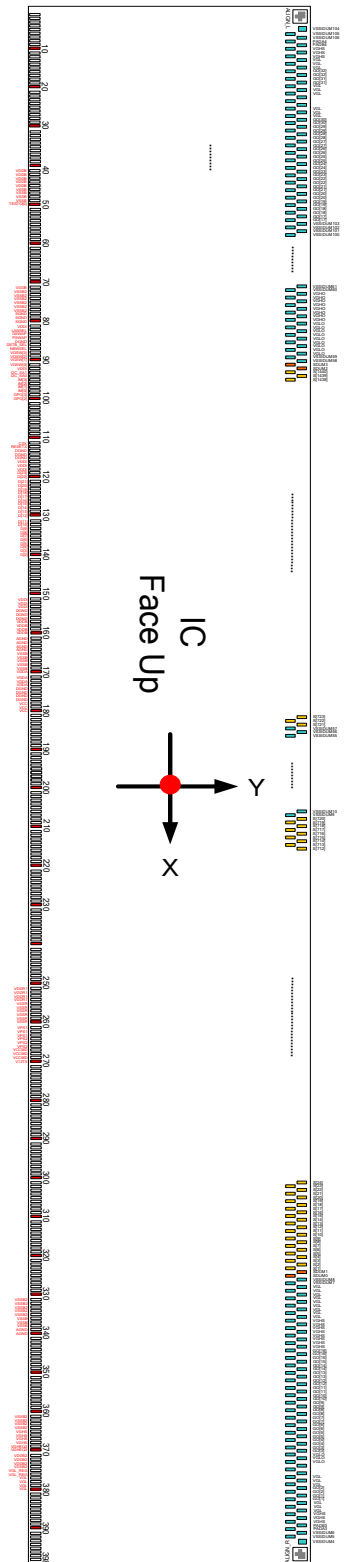
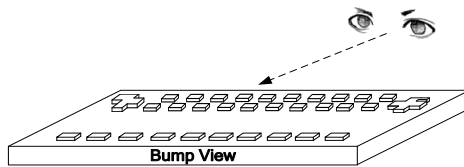
Module Version, etc)

- Timing Controller
- 4 preset Gamma curve with separated RGB Gamma setting
- Build-In NV Memory for LCD Initial Register Setting
 - OTP to store VCOM and ID1~ID3
- Driving Algorithm Support
 - 1-dot/2-dot/3-dot/4-dot Inversion
 - Column Inversion
 - Zigzag Inversion
- Wide Supply Voltage Range
 - I/O Voltage (VDDI to DGND): 1.65V ~ 3.3V ($VDDI \leq VDD$)
 - Analog Voltage (VDDA to AGND): 2.5V ~ 3.6V
 - MIPI Voltage (VDDAM to VSSAM): 2.5V ~ 3.6V
- On-Chip Power System
 - Source Voltage : 6.4V~-4.6V
 - VCOM level: GND
 - Gate driver HIGH level (VGH to AGND): +11.5V ~ +17 V
 - Gate driver LOW level (VGL to AGND): -12V ~ -7.6V
- Optimized layout for COG Assembly
- Operate temperature range: -30°C to +85°C
- Lower Power Consumption

3 PAD ARRANGEMENT

3.1 Output Bump Dimension

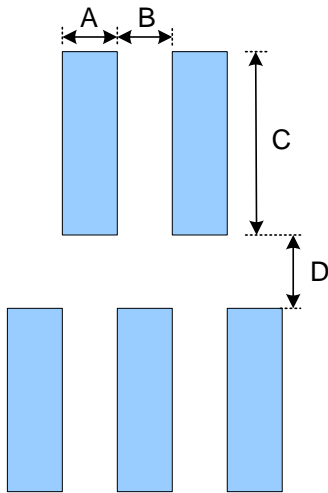
Au bump height	9 μ m
Au bump size	14 μ m \times 95 μ m
	Gate : GO1~GO32
	Source : S1~S1440
	40 μ m \times 84 μ m
	Input Pads : Pad 1 to Pad 398



3.2 Input Bump Dimension

- Output Pads

P400~P2076



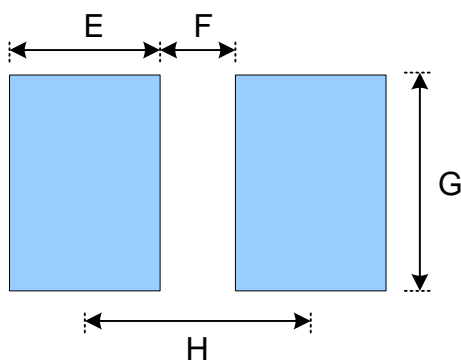
Symbol	Item	Size
A	Bump Width	14 um
B	Bump Gap 1 (Horizontal)	14 um
C	Bump Height	95 um
D	Bump Gap 2 (Vertical)	30 um

P399、P2077

Symbol	Item	Size
A	Bump Width	42 um
B	Bump Gap 1 (Horizontal)	14 um
C	Bump Height	95 um
D	Bump Gap 2 (Vertical)	30 um

- Input Pads

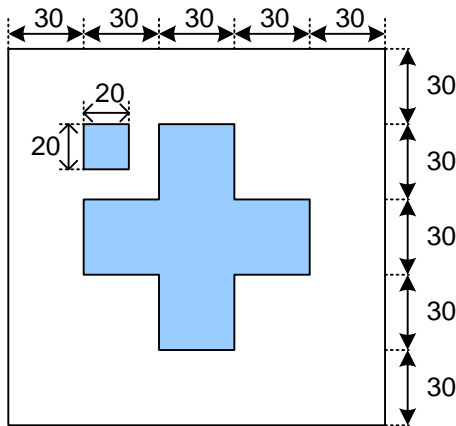
No.1~398



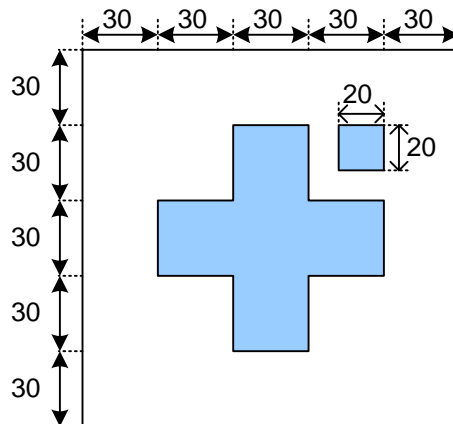
Symbol	Item	Size
E	Bump Width	40 um
F	Bump Gap	20um
G	Bump Height	84 um
H	Bump Pitch	60 um

3.3 Alignment Mark Dimension

- Alignment Mark ALIGN_L : (X,Y)=(-11870,302)



- Alignment Mark ALIGN_R : (X,Y)=(+11870,302)



3.4 Chip Information

Chip size	23970μm x770μm (Tolerance±30um)
Chip thickness	250μm
Pad Location	Pad center
Coordinate Origin	Chip center

Chip size included scribe line.

4 PAD CENTER COORDINATES (AFTER HEAT CORRECTION)

PAD No.	PIN Name	X	Y	PAD No.	PIN Name	X	Y	PAD No.	PIN Name	X	Y
1	VSSIDUM0	-11910	-315	33	VSSB	-9990	-315	65	DGND	-8070	-315
2	VSSIDUM0	-11850	-315	34	VSSB	-9930	-315	66	VCC	-8010	-315
3	VSSIDUM1	-11790	-315	35	VSSB	-9870	-315	67	VCC	-7950	-315
4	PADA1	-11730	-315	36	VSSB	-9810	-315	68	VCC	-7890	-315
5	PADB1	-11670	-315	37	VSSB	-9750	-315	69	VDDDB	-7830	-315
6	VCOM	-11610	-315	38	VDDDB	-9690	-315	70	VDDDB	-7770	-315
7	VCOM	-11550	-315	39	VDDDB	-9630	-315	71	VDDDB	-7710	-315
8	VCOM	-11490	-315	40	VDDDB	-9570	-315	72	VSSB2	-7650	-315
9	VCOM	-11430	-315	41	VDDDB	-9510	-315	73	VSSB2	-7590	-315
10	VCOM	-11370	-315	42	VDDDB	-9450	-315	74	VSSB2	-7530	-315
11	CNTACT1	-11310	-315	43	VDDDB	-9390	-315	75	VSSB2	-7470	-315
12	CNTACT1	-11250	-315	44	VDDDB	-9330	-315	76	VSSB2	-7410	-315
13	VPP	-11190	-315	45	VDDDB	-9270	-315	77	VSSB2	-7350	-315
14	VPP	-11130	-315	46	VSSB	-9210	-315	78	SGND	-7290	-315
15	VPP	-11070	-315	47	VSSB	-9150	-315	79	SGND	-7230	-315
16	VPP	-11010	-315	48	VSSB	-9090	-315	80	SGND	-7170	-315
17	VPP	-10950	-315	49	VSSB	-9030	-315	81	VDDI	-7110	-315
18	VGL	-10890	-315	50	TESTO[0]	-8970	-315	82	LANSEL	-7050	-315
19	VGL	-10830	-315	51	TESTO[1]	-8910	-315	83	DSWAP	-6990	-315
20	VGL	-10770	-315	52	TESTO[2]	-8850	-315	84	PSWAP	-6930	-315
21	VGL	-10710	-315	53	TESTO[3]	-8790	-315	85	DGND	-6870	-315
22	VGL	-10650	-315	54	DMY	-8730	-315	86	DSTB_SEL	-6810	-315
23	VGL	-10590	-315	55	DMY	-8670	-315	87	NBWSEL	-6750	-315
24	VGHEQ2	-10530	-315	56	DMY	-8610	-315	88	VGSW[3]	-6690	-315
25	VGHEQ2	-10470	-315	57	DGND	-8550	-315	89	VGSW[2]	-6630	-315
26	VSSB2	-10410	-315	58	DGND	-8490	-315	90	VGSW[1]	-6570	-315
27	VSSB2	-10350	-315	59	DGND	-8430	-315	91	VGSW[0]	-6510	-315
28	VSSB2	-10290	-315	60	DGND	-8370	-315	92	VDDI	-6450	-315
29	VSSB2	-10230	-315	61	DGND	-8310	-315	93	I2C_SA1	-6390	-315
30	VSSB	-10170	-315	62	DGND	-8250	-315	94	I2C_SA0	-6330	-315
31	VSSB	-10110	-315	63	DGND	-8190	-315	95	IM[3]	-6270	-315
32	VSSB	-10050	-315	64	DGND	-8130	-315	96	IM[2]	-6210	-315

PAD No.	PIN Name	X	Y	PAD No.	PIN Name	X	Y	PAD No.	PIN Name	X	Y
97	IM[1]	-6150	-315	131	D[11]	-4110	-315	165	VSSB	-2070	-315
98	IM[0]	-6090	-315	132	D[10]	-4050	-315	166	VSSB	-2010	-315
99	GPO[3]	-6030	-315	133	D[9]	-3990	-315	167	VSSB	-1950	-315
100	GPO[2]	-5970	-315	134	D[8]	-3930	-315	168	VSSB	-1890	-315
101	GPO[1]	-5910	-315	135	D[7]	-3870	-315	169	VSSB	-1830	-315
102	GPO[0]	-5850	-315	136	D[6]	-3810	-315	170	VDDA	-1770	-315
103	EXB1T	-5790	-315	137	D[5]	-3750	-315	171	VDDA	-1710	-315
104	TE_L	-5730	-315	138	D[4]	-3690	-315	172	VDDA	-1650	-315
105	DMY	-5670	-315	139	D[3]	-3630	-315	173	VDDA	-1590	-315
106	SDO	-5610	-315	140	D[2]	-3570	-315	174	DGND	-1530	-315
107	SDA	-5550	-315	141	D[1]	-3510	-315	175	DGND	-1470	-315
108	DCX	-5490	-315	142	D[0]	-3450	-315	176	DGND	-1410	-315
109	SCL	-5430	-315	143	DE	-3390	-315	177	DGND	-1350	-315
110	RDX	-5370	-315	144	PCLK	-3330	-315	178	VCC	-1290	-315
111	CSX	-5310	-315	145	HS	-3270	-315	179	VCC	-1230	-315
112	RESETX	-5250	-315	146	VS	-3210	-315	180	VCC	-1170	-315
113	DGND	-5190	-315	147	LEDPWM	-3150	-315	181	VCC	-1110	-315
114	DGND	-5130	-315	148	LEDON	-3090	-315	182	VSSM	-1050	-315
115	DGND	-5070	-315	149	DMY	-3030	-315	183	VSSM	-990	-315
116	VDDI	-5010	-315	150	ERR	-2970	-315	184	VSSM	-930	-315
117	VDDI	-4950	-315	151	VDDI	-2910	-315	185	VSSM	-870	-315
118	VDDI	-4890	-315	152	VDDI	-2850	-315	186	VSSM	-810	-315
119	D[23]	-4830	-315	153	VDDI	-2790	-315	187	DP1	-750	-315
120	D[22]	-4770	-315	154	DGND	-2730	-315	188	DP1	-690	-315
121	D[21]	-4710	-315	155	DGND	-2670	-315	189	DP1	-630	-315
122	D[20]	-4650	-315	156	DGND	-2610	-315	190	DP1	-570	-315
123	D[19]	-4590	-315	157	VDDDB	-2550	-315	191	DN1	-510	-315
124	D[18]	-4530	-315	158	VDDDB	-2490	-315	192	DN1	-450	-315
125	D[17]	-4470	-315	159	VDDDB	-2430	-315	193	DN1	-390	-315
126	D[16]	-4410	-315	160	VDDDB	-2370	-315	194	DN1	-330	-315
127	D[15]	-4350	-315	161	AGND	-2310	-315	195	VSSM	-270	-315
128	D[14]	-4290	-315	162	AGND	-2250	-315	196	VSSM	-210	-315
129	D[13]	-4230	-315	163	AGND	-2190	-315	197	CP	-150	-315
130	D[12]	-4170	-315	164	AGND	-2130	-315	198	CP	-90	-315

PAD No.	PIN Name	X	Y	PAD No.	PIN Name	X	Y	PAD No.	PIN Name	X	Y
199	CP	-30	-315	233	VSSA	2010	-315	267	VCCMD	4050	-315
200	CP	30	-315	234	VSSA	2070	-315	268	VCCMD	4110	-315
201	CN	90	-315	235	VSSA	2130	-315	269	VCCMD	4170	-315
202	CN	150	-315	236	VSSA	2190	-315	270	V12TX	4230	-315
203	CN	210	-315	237	V20	2250	-315	271	V12TX	4290	-315
204	CN	270	-315	238	V20	2310	-315	272	V12TX	4350	-315
205	VSSM	330	-315	239	DMY	2370	-315	273	AVDD	4410	-315
206	VSSM	390	-315	240	DMY	2430	-315	274	AVDD	4470	-315
207	DP0	450	-315	241	VAP	2490	-315	275	AVDD	4530	-315
208	DP0	510	-315	242	VAP	2550	-315	276	AVCL	4590	-315
209	DP0	570	-315	243	DMY	2610	-315	277	AVCL	4650	-315
210	DP0	630	-315	244	DMY	2670	-315	278	AVCL	4710	-315
211	DN0	690	-315	245	VAN	2730	-315	279	VDDDB	4770	-315
212	DN0	750	-315	246	VAN	2790	-315	280	VDDDB	4830	-315
213	DN0	810	-315	247	DMY	2850	-315	281	VDDDB	4890	-315
214	DN0	870	-315	248	DMY	2910	-315	282	VDDDB	4950	-315
215	VSSM	930	-315	249	VDDR1	2970	-315	283	VDDDB	5010	-315
216	VSSM	990	-315	250	VDDR1	3030	-315	284	VDDDB	5070	-315
217	VCCMA	1050	-315	251	VDDR1	3090	-315	285	VDDDB	5130	-315
218	VCCMA	1110	-315	252	VDDR1	3150	-315	286	VDDDB	5190	-315
219	VCCMA	1170	-315	253	VDDR1	3210	-315	287	VDDDB	5250	-315
220	VDDR	1230	-315	254	VDDR1	3270	-315	288	VDDDB	5310	-315
221	VDDR	1290	-315	255	VSSR	3330	-315	289	SGND	5370	-315
222	VDDR	1350	-315	256	VSSR	3390	-315	290	SGND	5430	-315
223	VDDR	1410	-315	257	VSSR	3450	-315	291	SGND	5490	-315
224	VDDR	1470	-315	258	VSSR	3510	-315	292	SGND	5550	-315
225	VDDR	1530	-315	259	VSSR	3570	-315	293	SGND	5610	-315
226	VDDR	1590	-315	260	VSSR	3630	-315	294	VSSB	5670	-315
227	VDDR	1650	-315	261	VPS1	3690	-315	295	VSSB	5730	-315
228	VDDDB	1710	-315	262	VPS1	3750	-315	296	VSSB	5790	-315
229	VDDDB	1770	-315	263	VPS1	3810	-315	297	VSSB	5850	-315
230	VDDDB	1830	-315	264	VPS2	3870	-315	298	VSSB	5910	-315
231	DMY	1890	-315	265	VPS2	3930	-315	299	VSSB	5970	-315
232	DMY	1950	-315	266	VPS2	3990	-315	300	VSSB	6030	-315

PAD No.	PIN Name	X	Y	PAD No.	PIN Name	X	Y	PAD No.	PIN Name	X	Y
301	VSSB	6090	-315	335	VSSB2	8130	-315	369	VGHEQ2	10170	-315
302	VSSB	6150	-315	336	VSSB	8190	-315	370	VGHEQ2	10230	-315
303	VSSB	6210	-315	337	VSSB	8250	-315	371	VDDB2	10290	-315
304	VSSB	6270	-315	338	VSSB	8310	-315	372	VDDB2	10350	-315
305	VSSB	6330	-315	339	AGND	8370	-315	373	VDDB2	10410	-315
306	VSSB	6390	-315	340	AGND	8430	-315	374	VDDB2	10470	-315
307	VSSB	6450	-315	341	AGND	8490	-315	375	VGL	10530	-315
308	VSSB	6510	-315	342	AGND	8550	-315	376	VGL	10590	-315
309	VSSB	6570	-315	343	VDDB	8610	-315	377	VGL	10650	-315
310	VSSB	6630	-315	344	VDDB	8670	-315	378	VGL	10710	-315
311	VSSB	6690	-315	345	VDDB	8730	-315	379	VGL	10770	-315
312	VSSB	6750	-315	346	VDDB	8790	-315	380	VGL	10830	-315
313	VSSB	6810	-315	347	VDDB	8850	-315	381	VGL	10890	-315
314	VSSB	6870	-315	348	VDDB	8910	-315	382	VGL	10950	-315
315	VDDB	6930	-315	349	VDDB	8970	-315	383	DMY	11010	-315
316	VDDB	6990	-315	350	VDDB	9030	-315	384	DMY	11070	-315
317	VDDB	7050	-315	351	VDDB	9090	-315	385	DMY	11130	-315
318	VDDB	7110	-315	352	VGHP	9150	-315	386	DMY	11190	-315
319	VDDB	7170	-315	353	VGHP	9210	-315	387	CNTACT2	11250	-315
320	VDDB	7230	-315	354	VGHP	9270	-315	388	CNTACT2	11310	-315
321	VDDB	7290	-315	355	VCC	9330	-315	389	VCOM	11370	-315
322	VDDB	7350	-315	356	VCC	9390	-315	390	VCOM	11430	-315
323	VDDB	7410	-315	357	VCC	9450	-315	391	VCOM	11490	-315
324	VDDB	7470	-315	358	DGND	9510	-315	392	VCOM	11550	-315
325	VDDB	7530	-315	359	DGND	9570	-315	393	VCOM	11610	-315
326	VDDB	7590	-315	360	DGND	9630	-315	394	PADA2	11670	-315
327	VDDB	7650	-315	361	VSSB2	9690	-315	395	PADB2	11730	-315
328	VDDB	7710	-315	362	VSSB2	9750	-315	396	VSSIDUM2	11790	-315
329	VSSB2	7770	-315	363	VSSB2	9810	-315	397	VSSIDUM3	11850	-315
330	VSSB2	7830	-315	364	VSSB2	9870	-315	398	VSSIDUM3	11910	-315
331	VSSB2	7890	-315	365	VGHS	9930	-315	399	DMY	11760	309.5
332	VSSB2	7950	-315	366	VGHS	9990	-315	400	DMY	11732	184.5
333	VSSB2	8010	-315	367	VGHS	10050	-315	401	DMY	11718	309.5
334	VSSB2	8070	-315	368	VGHS	10110	-315	402	PADA3	11704	184.5

PAD No.	PIN Name	X	Y	PAD No.	PIN Name	X	Y	PAD No.	PIN Name	X	Y
403	PADB3	11690	309.5	437	GO[10]	11214	309.5	471	SDUM1	10738	309.5
404	VGHS	11676	184.5	438	GO[10]	11200	184.5	472	S[1]	10724	184.5
405	VGHS	11662	309.5	439	GO[11]	11186	309.5	473	S[2]	10710	309.5
406	VGHS	11648	184.5	440	GO[11]	11172	184.5	474	S[3]	10696	184.5
407	VGL	11634	309.5	441	GO[12]	11158	309.5	475	S[4]	10682	309.5
408	VGL	11620	184.5	442	GO[12]	11144	184.5	476	S[5]	10668	184.5
409	VGL	11606	309.5	443	GO[13]	11130	309.5	477	S[6]	10654	309.5
410	GO[1]	11592	184.5	444	GO[13]	11116	184.5	478	S[7]	10640	184.5
411	GO[1]	11578	309.5	445	GO[14]	11102	309.5	479	S[8]	10626	309.5
412	GO[2]	11564	184.5	446	GO[14]	11088	184.5	480	S[9]	10612	184.5
413	GO[2]	11550	309.5	447	GO[15]	11074	309.5	481	S[10]	10598	309.5
414	VGL	11536	184.5	448	GO[15]	11060	184.5	482	S[11]	10584	184.5
415	VGL	11522	309.5	449	GO[16]	11046	309.5	483	S[12]	10570	309.5
416	VGL	11508	184.5	450	GO[16]	11032	184.5	484	S[13]	10556	184.5
417	DMY	11494	309.5	451	VGHS	11018	309.5	485	S[14]	10542	309.5
418	DMY	11480	184.5	452	VGHS	11004	184.5	486	S[15]	10528	184.5
419	DMY	11466	309.5	453	VGHS	10990	309.5	487	S[16]	10514	309.5
420	VGL	11452	184.5	454	VGHS	10976	184.5	488	S[17]	10500	184.5
421	VGL	11438	309.5	455	VGHS	10962	309.5	489	S[18]	10486	309.5
422	VGL	11424	184.5	456	VGHS	10948	184.5	490	S[19]	10472	184.5
423	GO[3]	11410	309.5	457	VGHS	10934	309.5	491	S[20]	10458	309.5
424	GO[3]	11396	184.5	458	VGHS	10920	184.5	492	S[21]	10444	184.5
425	GO[4]	11382	309.5	459	VGL	10906	309.5	493	S[22]	10430	309.5
426	GO[4]	11368	184.5	460	VGL	10892	184.5	494	S[23]	10416	184.5
427	GO[5]	11354	309.5	461	VGL	10878	309.5	495	S[24]	10402	309.5
428	GO[5]	11340	184.5	462	VGL	10864	184.5	496	S[25]	10388	184.5
429	GO[6]	11326	309.5	463	VGL	10850	309.5	497	S[26]	10374	309.5
430	GO[6]	11312	184.5	464	VGL	10836	184.5	498	S[27]	10360	184.5
431	GO[7]	11298	309.5	465	VGL	10822	309.5	499	S[28]	10346	309.5
432	GO[7]	11284	184.5	466	VGL	10808	184.5	500	S[29]	10332	184.5
433	GO[8]	11270	309.5	467	VGL	10794	309.5	501	S[30]	10318	309.5
434	GO[8]	11256	184.5	468	DMY	10780	184.5	502	S[31]	10304	184.5
435	GO[9]	11242	309.5	469	DMY	10766	309.5	503	S[32]	10290	309.5
436	GO[9]	11228	184.5	470	SDUM0	10752	184.5	504	S[33]	10276	184.5

PAD No.	PIN Name	X	Y	PAD No.	PIN Name	X	Y	PAD No.	PIN Name	X	Y
505	S[34]	10262	309.5	539	S[68]	9786	309.5	573	S[102]	9310	309.5
506	S[35]	10248	184.5	540	S[69]	9772	184.5	574	S[103]	9296	184.5
507	S[36]	10234	309.5	541	S[70]	9758	309.5	575	S[104]	9282	309.5
508	S[37]	10220	184.5	542	S[71]	9744	184.5	576	S[105]	9268	184.5
509	S[38]	10206	309.5	543	S[72]	9730	309.5	577	S[106]	9254	309.5
510	S[39]	10192	184.5	544	S[73]	9716	184.5	578	S[107]	9240	184.5
511	S[40]	10178	309.5	545	S[74]	9702	309.5	579	S[108]	9226	309.5
512	S[41]	10164	184.5	546	S[75]	9688	184.5	580	S[109]	9212	184.5
513	S[42]	10150	309.5	547	S[76]	9674	309.5	581	S[110]	9198	309.5
514	S[43]	10136	184.5	548	S[77]	9660	184.5	582	S[111]	9184	184.5
515	S[44]	10122	309.5	549	S[78]	9646	309.5	583	S[112]	9170	309.5
516	S[45]	10108	184.5	550	S[79]	9632	184.5	584	S[113]	9156	184.5
517	S[46]	10094	309.5	551	S[80]	9618	309.5	585	S[114]	9142	309.5
518	S[47]	10080	184.5	552	S[81]	9604	184.5	586	S[115]	9128	184.5
519	S[48]	10066	309.5	553	S[82]	9590	309.5	587	S[116]	9114	309.5
520	S[49]	10052	184.5	554	S[83]	9576	184.5	588	S[117]	9100	184.5
521	S[50]	10038	309.5	555	S[84]	9562	309.5	589	S[118]	9086	309.5
522	S[51]	10024	184.5	556	S[85]	9548	184.5	590	S[119]	9072	184.5
523	S[52]	10010	309.5	557	S[86]	9534	309.5	591	S[120]	9058	309.5
524	S[53]	9996	184.5	558	S[87]	9520	184.5	592	S[121]	9044	184.5
525	S[54]	9982	309.5	559	S[88]	9506	309.5	593	S[122]	9030	309.5
526	S[55]	9968	184.5	560	S[89]	9492	184.5	594	S[123]	9016	184.5
527	S[56]	9954	309.5	561	S[90]	9478	309.5	595	S[124]	9002	309.5
528	S[57]	9940	184.5	562	S[91]	9464	184.5	596	S[125]	8988	184.5
529	S[58]	9926	309.5	563	S[92]	9450	309.5	597	S[126]	8974	309.5
530	S[59]	9912	184.5	564	S[93]	9436	184.5	598	S[127]	8960	184.5
531	S[60]	9898	309.5	565	S[94]	9422	309.5	599	S[128]	8946	309.5
532	S[61]	9884	184.5	566	S[95]	9408	184.5	600	S[129]	8932	184.5
533	S[62]	9870	309.5	567	S[96]	9394	309.5	601	S[130]	8918	309.5
534	S[63]	9856	184.5	568	S[97]	9380	184.5	602	S[131]	8904	184.5
535	S[64]	9842	309.5	569	S[98]	9366	309.5	603	S[132]	8890	309.5
536	S[65]	9828	184.5	570	S[99]	9352	184.5	604	S[133]	8876	184.5
537	S[66]	9814	309.5	571	S[100]	9338	309.5	605	S[134]	8862	309.5
538	S[67]	9800	184.5	572	S[101]	9324	184.5	606	S[135]	8848	184.5

PAD No.	PIN Name	X	Y	PAD No.	PIN Name	X	Y	PAD No.	PIN Name	X	Y
607	S[136]	8834	309.5	641	S[170]	8358	309.5	675	S[204]	7882	309.5
608	S[137]	8820	184.5	642	S[171]	8344	184.5	676	S[205]	7868	184.5
609	S[138]	8806	309.5	643	S[172]	8330	309.5	677	S[206]	7854	309.5
610	S[139]	8792	184.5	644	S[173]	8316	184.5	678	S[207]	7840	184.5
611	S[140]	8778	309.5	645	S[174]	8302	309.5	679	S[208]	7826	309.5
612	S[141]	8764	184.5	646	S[175]	8288	184.5	680	S[209]	7812	184.5
613	S[142]	8750	309.5	647	S[176]	8274	309.5	681	S[210]	7798	309.5
614	S[143]	8736	184.5	648	S[177]	8260	184.5	682	S[211]	7784	184.5
615	S[144]	8722	309.5	649	S[178]	8246	309.5	683	S[212]	7770	309.5
616	S[145]	8708	184.5	650	S[179]	8232	184.5	684	S[213]	7756	184.5
617	S[146]	8694	309.5	651	S[180]	8218	309.5	685	S[214]	7742	309.5
618	S[147]	8680	184.5	652	S[181]	8204	184.5	686	S[215]	7728	184.5
619	S[148]	8666	309.5	653	S[182]	8190	309.5	687	S[216]	7714	309.5
620	S[149]	8652	184.5	654	S[183]	8176	184.5	688	S[217]	7700	184.5
621	S[150]	8638	309.5	655	S[184]	8162	309.5	689	S[218]	7686	309.5
622	S[151]	8624	184.5	656	S[185]	8148	184.5	690	S[219]	7672	184.5
623	S[152]	8610	309.5	657	S[186]	8134	309.5	691	S[220]	7658	309.5
624	S[153]	8596	184.5	658	S[187]	8120	184.5	692	S[221]	7644	184.5
625	S[154]	8582	309.5	659	S[188]	8106	309.5	693	S[222]	7630	309.5
626	S[155]	8568	184.5	660	S[189]	8092	184.5	694	S[223]	7616	184.5
627	S[156]	8554	309.5	661	S[190]	8078	309.5	695	S[224]	7602	309.5
628	S[157]	8540	184.5	662	S[191]	8064	184.5	696	S[225]	7588	184.5
629	S[158]	8526	309.5	663	S[192]	8050	309.5	697	S[226]	7574	309.5
630	S[159]	8512	184.5	664	S[193]	8036	184.5	698	S[227]	7560	184.5
631	S[160]	8498	309.5	665	S[194]	8022	309.5	699	S[228]	7546	309.5
632	S[161]	8484	184.5	666	S[195]	8008	184.5	700	S[229]	7532	184.5
633	S[162]	8470	309.5	667	S[196]	7994	309.5	701	S[230]	7518	309.5
634	S[163]	8456	184.5	668	S[197]	7980	184.5	702	S[231]	7504	184.5
635	S[164]	8442	309.5	669	S[198]	7966	309.5	703	S[232]	7490	309.5
636	S[165]	8428	184.5	670	S[199]	7952	184.5	704	S[233]	7476	184.5
637	S[166]	8414	309.5	671	S[200]	7938	309.5	705	S[234]	7462	309.5
638	S[167]	8400	184.5	672	S[201]	7924	184.5	706	S[235]	7448	184.5
639	S[168]	8386	309.5	673	S[202]	7910	309.5	707	S[236]	7434	309.5
640	S[169]	8372	184.5	674	S[203]	7896	184.5	708	S[237]	7420	184.5

PAD No.	PIN Name	X	Y	PAD No.	PIN Name	X	Y	PAD No.	PIN Name	X	Y
709	S[238]	7406	309.5	743	S[272]	6930	309.5	777	S[306]	6454	309.5
710	S[239]	7392	184.5	744	S[273]	6916	184.5	778	S[307]	6440	184.5
711	S[240]	7378	309.5	745	S[274]	6902	309.5	779	S[308]	6426	309.5
712	S[241]	7364	184.5	746	S[275]	6888	184.5	780	S[309]	6412	184.5
713	S[242]	7350	309.5	747	S[276]	6874	309.5	781	S[310]	6398	309.5
714	S[243]	7336	184.5	748	S[277]	6860	184.5	782	S[311]	6384	184.5
715	S[244]	7322	309.5	749	S[278]	6846	309.5	783	S[312]	6370	309.5
716	S[245]	7308	184.5	750	S[279]	6832	184.5	784	S[313]	6356	184.5
717	S[246]	7294	309.5	751	S[280]	6818	309.5	785	S[314]	6342	309.5
718	S[247]	7280	184.5	752	S[281]	6804	184.5	786	S[315]	6328	184.5
719	S[248]	7266	309.5	753	S[282]	6790	309.5	787	S[316]	6314	309.5
720	S[249]	7252	184.5	754	S[283]	6776	184.5	788	S[317]	6300	184.5
721	S[250]	7238	309.5	755	S[284]	6762	309.5	789	S[318]	6286	309.5
722	S[251]	7224	184.5	756	S[285]	6748	184.5	790	S[319]	6272	184.5
723	S[252]	7210	309.5	757	S[286]	6734	309.5	791	S[320]	6258	309.5
724	S[253]	7196	184.5	758	S[287]	6720	184.5	792	S[321]	6244	184.5
725	S[254]	7182	309.5	759	S[288]	6706	309.5	793	S[322]	6230	309.5
726	S[255]	7168	184.5	760	S[289]	6692	184.5	794	S[323]	6216	184.5
727	S[256]	7154	309.5	761	S[290]	6678	309.5	795	S[324]	6202	309.5
728	S[257]	7140	184.5	762	S[291]	6664	184.5	796	S[325]	6188	184.5
729	S[258]	7126	309.5	763	S[292]	6650	309.5	797	S[326]	6174	309.5
730	S[259]	7112	184.5	764	S[293]	6636	184.5	798	S[327]	6160	184.5
731	S[260]	7098	309.5	765	S[294]	6622	309.5	799	S[328]	6146	309.5
732	S[261]	7084	184.5	766	S[295]	6608	184.5	800	S[329]	6132	184.5
733	S[262]	7070	309.5	767	S[296]	6594	309.5	801	S[330]	6118	309.5
734	S[263]	7056	184.5	768	S[297]	6580	184.5	802	S[331]	6104	184.5
735	S[264]	7042	309.5	769	S[298]	6566	309.5	803	S[332]	6090	309.5
736	S[265]	7028	184.5	770	S[299]	6552	184.5	804	S[333]	6076	184.5
737	S[266]	7014	309.5	771	S[300]	6538	309.5	805	S[334]	6062	309.5
738	S[267]	7000	184.5	772	S[301]	6524	184.5	806	S[335]	6048	184.5
739	S[268]	6986	309.5	773	S[302]	6510	309.5	807	S[336]	6034	309.5
740	S[269]	6972	184.5	774	S[303]	6496	184.5	808	S[337]	6020	184.5
741	S[270]	6958	309.5	775	S[304]	6482	309.5	809	S[338]	6006	309.5
742	S[271]	6944	184.5	776	S[305]	6468	184.5	810	S[339]	5992	184.5

PAD No.	PIN Name	X	Y	PAD No.	PIN Name	X	Y	PAD No.	PIN Name	X	Y
811	S[340]	5978	309.5	845	S[374]	5502	309.5	879	S[408]	5026	309.5
812	S[341]	5964	184.5	846	S[375]	5488	184.5	880	S[409]	5012	184.5
813	S[342]	5950	309.5	847	S[376]	5474	309.5	881	S[410]	4998	309.5
814	S[343]	5936	184.5	848	S[377]	5460	184.5	882	S[411]	4984	184.5
815	S[344]	5922	309.5	849	S[378]	5446	309.5	883	S[412]	4970	309.5
816	S[345]	5908	184.5	850	S[379]	5432	184.5	884	S[413]	4956	184.5
817	S[346]	5894	309.5	851	S[380]	5418	309.5	885	S[414]	4942	309.5
818	S[347]	5880	184.5	852	S[381]	5404	184.5	886	S[415]	4928	184.5
819	S[348]	5866	309.5	853	S[382]	5390	309.5	887	S[416]	4914	309.5
820	S[349]	5852	184.5	854	S[383]	5376	184.5	888	S[417]	4900	184.5
821	S[350]	5838	309.5	855	S[384]	5362	309.5	889	S[418]	4886	309.5
822	S[351]	5824	184.5	856	S[385]	5348	184.5	890	S[419]	4872	184.5
823	S[352]	5810	309.5	857	S[386]	5334	309.5	891	S[420]	4858	309.5
824	S[353]	5796	184.5	858	S[387]	5320	184.5	892	S[421]	4844	184.5
825	S[354]	5782	309.5	859	S[388]	5306	309.5	893	S[422]	4830	309.5
826	S[355]	5768	184.5	860	S[389]	5292	184.5	894	S[423]	4816	184.5
827	S[356]	5754	309.5	861	S[390]	5278	309.5	895	S[424]	4802	309.5
828	S[357]	5740	184.5	862	S[391]	5264	184.5	896	S[425]	4788	184.5
829	S[358]	5726	309.5	863	S[392]	5250	309.5	897	S[426]	4774	309.5
830	S[359]	5712	184.5	864	S[393]	5236	184.5	898	S[427]	4760	184.5
831	S[360]	5698	309.5	865	S[394]	5222	309.5	899	S[428]	4746	309.5
832	S[361]	5684	184.5	866	S[395]	5208	184.5	900	S[429]	4732	184.5
833	S[362]	5670	309.5	867	S[396]	5194	309.5	901	S[430]	4718	309.5
834	S[363]	5656	184.5	868	S[397]	5180	184.5	902	S[431]	4704	184.5
835	S[364]	5642	309.5	869	S[398]	5166	309.5	903	S[432]	4690	309.5
836	S[365]	5628	184.5	870	S[399]	5152	184.5	904	S[433]	4676	184.5
837	S[366]	5614	309.5	871	S[400]	5138	309.5	905	S[434]	4662	309.5
838	S[367]	5600	184.5	872	S[401]	5124	184.5	906	S[435]	4648	184.5
839	S[368]	5586	309.5	873	S[402]	5110	309.5	907	S[436]	4634	309.5
840	S[369]	5572	184.5	874	S[403]	5096	184.5	908	S[437]	4620	184.5
841	S[370]	5558	309.5	875	S[404]	5082	309.5	909	S[438]	4606	309.5
842	S[371]	5544	184.5	876	S[405]	5068	184.5	910	S[439]	4592	184.5
843	S[372]	5530	309.5	877	S[406]	5054	309.5	911	S[440]	4578	309.5
844	S[373]	5516	184.5	878	S[407]	5040	184.5	912	S[441]	4564	184.5

PAD No.	PIN Name	X	Y	PAD No.	PIN Name	X	Y	PAD No.	PIN Name	X	Y
913	S[442]	4550	309.5	947	S[476]	4074	309.5	981	S[510]	3598	309.5
914	S[443]	4536	184.5	948	S[477]	4060	184.5	982	S[511]	3584	184.5
915	S[444]	4522	309.5	949	S[478]	4046	309.5	983	S[512]	3570	309.5
916	S[445]	4508	184.5	950	S[479]	4032	184.5	984	S[513]	3556	184.5
917	S[446]	4494	309.5	951	S[480]	4018	309.5	985	S[514]	3542	309.5
918	S[447]	4480	184.5	952	S[481]	4004	184.5	986	S[515]	3528	184.5
919	S[448]	4466	309.5	953	S[482]	3990	309.5	987	S[516]	3514	309.5
920	S[449]	4452	184.5	954	S[483]	3976	184.5	988	S[517]	3500	184.5
921	S[450]	4438	309.5	955	S[484]	3962	309.5	989	S[518]	3486	309.5
922	S[451]	4424	184.5	956	S[485]	3948	184.5	990	S[519]	3472	184.5
923	S[452]	4410	309.5	957	S[486]	3934	309.5	991	S[520]	3458	309.5
924	S[453]	4396	184.5	958	S[487]	3920	184.5	992	S[521]	3444	184.5
925	S[454]	4382	309.5	959	S[488]	3906	309.5	993	S[522]	3430	309.5
926	S[455]	4368	184.5	960	S[489]	3892	184.5	994	S[523]	3416	184.5
927	S[456]	4354	309.5	961	S[490]	3878	309.5	995	S[524]	3402	309.5
928	S[457]	4340	184.5	962	S[491]	3864	184.5	996	S[525]	3388	184.5
929	S[458]	4326	309.5	963	S[492]	3850	309.5	997	S[526]	3374	309.5
930	S[459]	4312	184.5	964	S[493]	3836	184.5	998	S[527]	3360	184.5
931	S[460]	4298	309.5	965	S[494]	3822	309.5	999	S[528]	3346	309.5
932	S[461]	4284	184.5	966	S[495]	3808	184.5	1000	S[529]	3332	184.5
933	S[462]	4270	309.5	967	S[496]	3794	309.5	1001	S[530]	3318	309.5
934	S[463]	4256	184.5	968	S[497]	3780	184.5	1002	S[531]	3304	184.5
935	S[464]	4242	309.5	969	S[498]	3766	309.5	1003	S[532]	3290	309.5
936	S[465]	4228	184.5	970	S[499]	3752	184.5	1004	S[533]	3276	184.5
937	S[466]	4214	309.5	971	S[500]	3738	309.5	1005	S[534]	3262	309.5
938	S[467]	4200	184.5	972	S[501]	3724	184.5	1006	S[535]	3248	184.5
939	S[468]	4186	309.5	973	S[502]	3710	309.5	1007	S[536]	3234	309.5
940	S[469]	4172	184.5	974	S[503]	3696	184.5	1008	S[537]	3220	184.5
941	S[470]	4158	309.5	975	S[504]	3682	309.5	1009	S[538]	3206	309.5
942	S[471]	4144	184.5	976	S[505]	3668	184.5	1010	S[539]	3192	184.5
943	S[472]	4130	309.5	977	S[506]	3654	309.5	1011	S[540]	3178	309.5
944	S[473]	4116	184.5	978	S[507]	3640	184.5	1012	S[541]	3164	184.5
945	S[474]	4102	309.5	979	S[508]	3626	309.5	1013	S[542]	3150	309.5
946	S[475]	4088	184.5	980	S[509]	3612	184.5	1014	S[543]	3136	184.5

PAD No.	PIN Name	X	Y	PAD No.	PIN Name	X	Y	PAD No.	PIN Name	X	Y
1015	S[544]	3122	309.5	1049	S[578]	2646	309.5	1083	S[612]	2170	309.5
1016	S[545]	3108	184.5	1050	S[579]	2632	184.5	1084	S[613]	2156	184.5
1017	S[546]	3094	309.5	1051	S[580]	2618	309.5	1085	S[614]	2142	309.5
1018	S[547]	3080	184.5	1052	S[581]	2604	184.5	1086	S[615]	2128	184.5
1019	S[548]	3066	309.5	1053	S[582]	2590	309.5	1087	S[616]	2114	309.5
1020	S[549]	3052	184.5	1054	S[583]	2576	184.5	1088	S[617]	2100	184.5
1021	S[550]	3038	309.5	1055	S[584]	2562	309.5	1089	S[618]	2086	309.5
1022	S[551]	3024	184.5	1056	S[585]	2548	184.5	1090	S[619]	2072	184.5
1023	S[552]	3010	309.5	1057	S[586]	2534	309.5	1091	S[620]	2058	309.5
1024	S[553]	2996	184.5	1058	S[587]	2520	184.5	1092	S[621]	2044	184.5
1025	S[554]	2982	309.5	1059	S[588]	2506	309.5	1093	S[622]	2030	309.5
1026	S[555]	2968	184.5	1060	S[589]	2492	184.5	1094	S[623]	2016	184.5
1027	S[556]	2954	309.5	1061	S[590]	2478	309.5	1095	S[624]	2002	309.5
1028	S[557]	2940	184.5	1062	S[591]	2464	184.5	1096	S[625]	1988	184.5
1029	S[558]	2926	309.5	1063	S[592]	2450	309.5	1097	S[626]	1974	309.5
1030	S[559]	2912	184.5	1064	S[593]	2436	184.5	1098	S[627]	1960	184.5
1031	S[560]	2898	309.5	1065	S[594]	2422	309.5	1099	S[628]	1946	309.5
1032	S[561]	2884	184.5	1066	S[595]	2408	184.5	1100	S[629]	1932	184.5
1033	S[562]	2870	309.5	1067	S[596]	2394	309.5	1101	S[630]	1918	309.5
1034	S[563]	2856	184.5	1068	S[597]	2380	184.5	1102	S[631]	1904	184.5
1035	S[564]	2842	309.5	1069	S[598]	2366	309.5	1103	S[632]	1890	309.5
1036	S[565]	2828	184.5	1070	S[599]	2352	184.5	1104	S[633]	1876	184.5
1037	S[566]	2814	309.5	1071	S[600]	2338	309.5	1105	S[634]	1862	309.5
1038	S[567]	2800	184.5	1072	S[601]	2324	184.5	1106	S[635]	1848	184.5
1039	S[568]	2786	309.5	1073	S[602]	2310	309.5	1107	S[636]	1834	309.5
1040	S[569]	2772	184.5	1074	S[603]	2296	184.5	1108	S[637]	1820	184.5
1041	S[570]	2758	309.5	1075	S[604]	2282	309.5	1109	S[638]	1806	309.5
1042	S[571]	2744	184.5	1076	S[605]	2268	184.5	1110	S[639]	1792	184.5
1043	S[572]	2730	309.5	1077	S[606]	2254	309.5	1111	S[640]	1778	309.5
1044	S[573]	2716	184.5	1078	S[607]	2240	184.5	1112	S[641]	1764	184.5
1045	S[574]	2702	309.5	1079	S[608]	2226	309.5	1113	S[642]	1750	309.5
1046	S[575]	2688	184.5	1080	S[609]	2212	184.5	1114	S[643]	1736	184.5
1047	S[576]	2674	309.5	1081	S[610]	2198	309.5	1115	S[644]	1722	309.5
1048	S[577]	2660	184.5	1082	S[611]	2184	184.5	1116	S[645]	1708	184.5

PAD No.	PIN Name	X	Y	PAD No.	PIN Name	X	Y	PAD No.	PIN Name	X	Y
1117	S[646]	1694	309.5	1151	S[680]	1218	309.5	1185	S[714]	742	309.5
1118	S[647]	1680	184.5	1152	S[681]	1204	184.5	1186	S[715]	728	184.5
1119	S[648]	1666	309.5	1153	S[682]	1190	309.5	1187	S[716]	714	309.5
1120	S[649]	1652	184.5	1154	S[683]	1176	184.5	1188	S[717]	700	184.5
1121	S[650]	1638	309.5	1155	S[684]	1162	309.5	1189	S[718]	686	309.5
1122	S[651]	1624	184.5	1156	S[685]	1148	184.5	1190	S[719]	672	184.5
1123	S[652]	1610	309.5	1157	S[686]	1134	309.5	1191	S[720]	658	309.5
1124	S[653]	1596	184.5	1158	S[687]	1120	184.5	1192	DMY	644	184.5
1125	S[654]	1582	309.5	1159	S[688]	1106	309.5	1193	DMY	630	309.5
1126	S[655]	1568	184.5	1160	S[689]	1092	184.5	1194	DMY	616	184.5
1127	S[656]	1554	309.5	1161	S[690]	1078	309.5	1195	DMY	602	309.5
1128	S[657]	1540	184.5	1162	S[691]	1064	184.5	1196	DMY	588	184.5
1129	S[658]	1526	309.5	1163	S[692]	1050	309.5	1197	DMY	574	309.5
1130	S[659]	1512	184.5	1164	S[693]	1036	184.5	1198	DMY	560	184.5
1131	S[660]	1498	309.5	1165	S[694]	1022	309.5	1199	DMY	546	309.5
1132	S[661]	1484	184.5	1166	S[695]	1008	184.5	1200	DMY	532	184.5
1133	S[662]	1470	309.5	1167	S[696]	994	309.5	1201	DMY	518	309.5
1134	S[663]	1456	184.5	1168	S[697]	980	184.5	1202	DMY	504	184.5
1135	S[664]	1442	309.5	1169	S[698]	966	309.5	1203	DMY	490	309.5
1136	S[665]	1428	184.5	1170	S[699]	952	184.5	1204	DMY	476	184.5
1137	S[666]	1414	309.5	1171	S[700]	938	309.5	1205	DMY	462	309.5
1138	S[667]	1400	184.5	1172	S[701]	924	184.5	1206	DMY	448	184.5
1139	S[668]	1386	309.5	1173	S[702]	910	309.5	1207	DMY	434	309.5
1140	S[669]	1372	184.5	1174	S[703]	896	184.5	1208	DMY	420	184.5
1141	S[670]	1358	309.5	1175	S[704]	882	309.5	1209	DMY	406	309.5
1142	S[671]	1344	184.5	1176	S[705]	868	184.5	1210	DMY	392	184.5
1143	S[672]	1330	309.5	1177	S[706]	854	309.5	1211	DMY	378	309.5
1144	S[673]	1316	184.5	1178	S[707]	840	184.5	1212	DMY	364	184.5
1145	S[674]	1302	309.5	1179	S[708]	826	309.5	1213	DMY	350	309.5
1146	S[675]	1288	184.5	1180	S[709]	812	184.5	1214	DMY	336	184.5
1147	S[676]	1274	309.5	1181	S[710]	798	309.5	1215	DMY	322	309.5
1148	S[677]	1260	184.5	1182	S[711]	784	184.5	1216	DMY	308	184.5
1149	S[678]	1246	309.5	1183	S[712]	770	309.5	1217	DMY	294	309.5
1150	S[679]	1232	184.5	1184	S[713]	756	184.5	1218	DMY	280	184.5

PAD No.	PIN Name	X	Y	PAD No.	PIN Name	X	Y	PAD No.	PIN Name	X	Y
1219	DMY	266	309.5	1253	S[733]	-210	309.5	1287	S[767]	-686	309.5
1220	DMY	252	184.5	1254	S[734]	-224	184.5	1288	S[768]	-700	184.5
1221	DMY	238	309.5	1255	S[735]	-238	309.5	1289	S[769]	-714	309.5
1222	DMY	224	184.5	1256	S[736]	-252	184.5	1290	S[770]	-728	184.5
1223	DMY	210	309.5	1257	S[737]	-266	309.5	1291	S[771]	-742	309.5
1224	DMY	196	184.5	1258	S[738]	-280	184.5	1292	S[772]	-756	184.5
1225	DMY	182	309.5	1259	S[739]	-294	309.5	1293	S[773]	-770	309.5
1226	DMY	168	184.5	1260	S[740]	-308	184.5	1294	S[774]	-784	184.5
1227	DMY	154	309.5	1261	S[741]	-322	309.5	1295	S[775]	-798	309.5
1228	DMY	140	184.5	1262	S[742]	-336	184.5	1296	S[776]	-812	184.5
1229	DMY	126	309.5	1263	S[743]	-350	309.5	1297	S[777]	-826	309.5
1230	DMY	112	184.5	1264	S[744]	-364	184.5	1298	S[778]	-840	184.5
1231	DMY	98	309.5	1265	S[745]	-378	309.5	1299	S[779]	-854	309.5
1232	DMY	84	184.5	1266	S[746]	-392	184.5	1300	S[780]	-868	184.5
1233	DMY	70	309.5	1267	S[747]	-406	309.5	1301	S[781]	-882	309.5
1234	DMY	56	184.5	1268	S[748]	-420	184.5	1302	S[782]	-896	184.5
1235	DMY	42	309.5	1269	S[749]	-434	309.5	1303	S[783]	-910	309.5
1236	DMY	28	184.5	1270	S[750]	-448	184.5	1304	S[784]	-924	184.5
1237	DMY	14	309.5	1271	S[751]	-462	309.5	1305	S[785]	-938	309.5
1238	DMY	0	184.5	1272	S[752]	-476	184.5	1306	S[786]	-952	184.5
1239	DMY	-14	309.5	1273	S[753]	-490	309.5	1307	S[787]	-966	309.5
1240	DMY	-28	184.5	1274	S[754]	-504	184.5	1308	S[788]	-980	184.5
1241	S[721]	-42	309.5	1275	S[755]	-518	309.5	1309	S[789]	-994	309.5
1242	S[722]	-56	184.5	1276	S[756]	-532	184.5	1310	S[790]	-1008	184.5
1243	S[723]	-70	309.5	1277	S[757]	-546	309.5	1311	S[791]	-1022	309.5
1244	S[724]	-84	184.5	1278	S[758]	-560	184.5	1312	S[792]	-1036	184.5
1245	S[725]	-98	309.5	1279	S[759]	-574	309.5	1313	S[793]	-1050	309.5
1246	S[726]	-112	184.5	1280	S[760]	-588	184.5	1314	S[794]	-1064	184.5
1247	S[727]	-126	309.5	1281	S[761]	-602	309.5	1315	S[795]	-1078	309.5
1248	S[728]	-140	184.5	1282	S[762]	-616	184.5	1316	S[796]	-1092	184.5
1249	S[729]	-154	309.5	1283	S[763]	-630	309.5	1317	S[797]	-1106	309.5
1250	S[730]	-168	184.5	1284	S[764]	-644	184.5	1318	S[798]	-1120	184.5
1251	S[731]	-182	309.5	1285	S[765]	-658	309.5	1319	S[799]	-1134	309.5
1252	S[732]	-196	184.5	1286	S[766]	-672	184.5	1320	S[800]	-1148	184.5

PAD No.	PIN Name	X	Y	PAD No.	PIN Name	X	Y	PAD No.	PIN Name	X	Y
1321	S[801]	-1162	309.5	1355	S[835]	-1638	309.5	1389	S[869]	-2114	309.5
1322	S[802]	-1176	184.5	1356	S[836]	-1652	184.5	1390	S[870]	-2128	184.5
1323	S[803]	-1190	309.5	1357	S[837]	-1666	309.5	1391	S[871]	-2142	309.5
1324	S[804]	-1204	184.5	1358	S[838]	-1680	184.5	1392	S[872]	-2156	184.5
1325	S[805]	-1218	309.5	1359	S[839]	-1694	309.5	1393	S[873]	-2170	309.5
1326	S[806]	-1232	184.5	1360	S[840]	-1708	184.5	1394	S[874]	-2184	184.5
1327	S[807]	-1246	309.5	1361	S[841]	-1722	309.5	1395	S[875]	-2198	309.5
1328	S[808]	-1260	184.5	1362	S[842]	-1736	184.5	1396	S[876]	-2212	184.5
1329	S[809]	-1274	309.5	1363	S[843]	-1750	309.5	1397	S[877]	-2226	309.5
1330	S[810]	-1288	184.5	1364	S[844]	-1764	184.5	1398	S[878]	-2240	184.5
1331	S[811]	-1302	309.5	1365	S[845]	-1778	309.5	1399	S[879]	-2254	309.5
1332	S[812]	-1316	184.5	1366	S[846]	-1792	184.5	1400	S[880]	-2268	184.5
1333	S[813]	-1330	309.5	1367	S[847]	-1806	309.5	1401	S[881]	-2282	309.5
1334	S[814]	-1344	184.5	1368	S[848]	-1820	184.5	1402	S[882]	-2296	184.5
1335	S[815]	-1358	309.5	1369	S[849]	-1834	309.5	1403	S[883]	-2310	309.5
1336	S[816]	-1372	184.5	1370	S[850]	-1848	184.5	1404	S[884]	-2324	184.5
1337	S[817]	-1386	309.5	1371	S[851]	-1862	309.5	1405	S[885]	-2338	309.5
1338	S[818]	-1400	184.5	1372	S[852]	-1876	184.5	1406	S[886]	-2352	184.5
1339	S[819]	-1414	309.5	1373	S[853]	-1890	309.5	1407	S[887]	-2366	309.5
1340	S[820]	-1428	184.5	1374	S[854]	-1904	184.5	1408	S[888]	-2380	184.5
1341	S[821]	-1442	309.5	1375	S[855]	-1918	309.5	1409	S[889]	-2394	309.5
1342	S[822]	-1456	184.5	1376	S[856]	-1932	184.5	1410	S[890]	-2408	184.5
1343	S[823]	-1470	309.5	1377	S[857]	-1946	309.5	1411	S[891]	-2422	309.5
1344	S[824]	-1484	184.5	1378	S[858]	-1960	184.5	1412	S[892]	-2436	184.5
1345	S[825]	-1498	309.5	1379	S[859]	-1974	309.5	1413	S[893]	-2450	309.5
1346	S[826]	-1512	184.5	1380	S[860]	-1988	184.5	1414	S[894]	-2464	184.5
1347	S[827]	-1526	309.5	1381	S[861]	-2002	309.5	1415	S[895]	-2478	309.5
1348	S[828]	-1540	184.5	1382	S[862]	-2016	184.5	1416	S[896]	-2492	184.5
1349	S[829]	-1554	309.5	1383	S[863]	-2030	309.5	1417	S[897]	-2506	309.5
1350	S[830]	-1568	184.5	1384	S[864]	-2044	184.5	1418	S[898]	-2520	184.5
1351	S[831]	-1582	309.5	1385	S[865]	-2058	309.5	1419	S[899]	-2534	309.5
1352	S[832]	-1596	184.5	1386	S[866]	-2072	184.5	1420	S[900]	-2548	184.5
1353	S[833]	-1610	309.5	1387	S[867]	-2086	309.5	1421	S[901]	-2562	309.5
1354	S[834]	-1624	184.5	1388	S[868]	-2100	184.5	1422	S[902]	-2576	184.5

PAD No.	PIN Name	X	Y	PAD No.	PIN Name	X	Y	PAD No.	PIN Name	X	Y
1423	S[903]	-2590	309.5	1457	S[937]	-3066	309.5	1491	S[971]	-3542	309.5
1424	S[904]	-2604	184.5	1458	S[938]	-3080	184.5	1492	S[972]	-3556	184.5
1425	S[905]	-2618	309.5	1459	S[939]	-3094	309.5	1493	S[973]	-3570	309.5
1426	S[906]	-2632	184.5	1460	S[940]	-3108	184.5	1494	S[974]	-3584	184.5
1427	S[907]	-2646	309.5	1461	S[941]	-3122	309.5	1495	S[975]	-3598	309.5
1428	S[908]	-2660	184.5	1462	S[942]	-3136	184.5	1496	S[976]	-3612	184.5
1429	S[909]	-2674	309.5	1463	S[943]	-3150	309.5	1497	S[977]	-3626	309.5
1430	S[910]	-2688	184.5	1464	S[944]	-3164	184.5	1498	S[978]	-3640	184.5
1431	S[911]	-2702	309.5	1465	S[945]	-3178	309.5	1499	S[979]	-3654	309.5
1432	S[912]	-2716	184.5	1466	S[946]	-3192	184.5	1500	S[980]	-3668	184.5
1433	S[913]	-2730	309.5	1467	S[947]	-3206	309.5	1501	S[981]	-3682	309.5
1434	S[914]	-2744	184.5	1468	S[948]	-3220	184.5	1502	S[982]	-3696	184.5
1435	S[915]	-2758	309.5	1469	S[949]	-3234	309.5	1503	S[983]	-3710	309.5
1436	S[916]	-2772	184.5	1470	S[950]	-3248	184.5	1504	S[984]	-3724	184.5
1437	S[917]	-2786	309.5	1471	S[951]	-3262	309.5	1505	S[985]	-3738	309.5
1438	S[918]	-2800	184.5	1472	S[952]	-3276	184.5	1506	S[986]	-3752	184.5
1439	S[919]	-2814	309.5	1473	S[953]	-3290	309.5	1507	S[987]	-3766	309.5
1440	S[920]	-2828	184.5	1474	S[954]	-3304	184.5	1508	S[988]	-3780	184.5
1441	S[921]	-2842	309.5	1475	S[955]	-3318	309.5	1509	S[989]	-3794	309.5
1442	S[922]	-2856	184.5	1476	S[956]	-3332	184.5	1510	S[990]	-3808	184.5
1443	S[923]	-2870	309.5	1477	S[957]	-3346	309.5	1511	S[991]	-3822	309.5
1444	S[924]	-2884	184.5	1478	S[958]	-3360	184.5	1512	S[992]	-3836	184.5
1445	S[925]	-2898	309.5	1479	S[959]	-3374	309.5	1513	S[993]	-3850	309.5
1446	S[926]	-2912	184.5	1480	S[960]	-3388	184.5	1514	S[994]	-3864	184.5
1447	S[927]	-2926	309.5	1481	S[961]	-3402	309.5	1515	S[995]	-3878	309.5
1448	S[928]	-2940	184.5	1482	S[962]	-3416	184.5	1516	S[996]	-3892	184.5
1449	S[929]	-2954	309.5	1483	S[963]	-3430	309.5	1517	S[997]	-3906	309.5
1450	S[930]	-2968	184.5	1484	S[964]	-3444	184.5	1518	S[998]	-3920	184.5
1451	S[931]	-2982	309.5	1485	S[965]	-3458	309.5	1519	S[999]	-3934	309.5
1452	S[932]	-2996	184.5	1486	S[966]	-3472	184.5	1520	S[1000]	-3948	184.5
1453	S[933]	-3010	309.5	1487	S[967]	-3486	309.5	1521	S[1001]	-3962	309.5
1454	S[934]	-3024	184.5	1488	S[968]	-3500	184.5	1522	S[1002]	-3976	184.5
1455	S[935]	-3038	309.5	1489	S[969]	-3514	309.5	1523	S[1003]	-3990	309.5
1456	S[936]	-3052	184.5	1490	S[970]	-3528	184.5	1524	S[1004]	-4004	184.5

PAD No.	PIN Name	X	Y	PAD No.	PIN Name	X	Y	PAD No.	PIN Name	X	Y
1525	S[1005]	-4018	309.5	1559	S[1039]	-4494	309.5	1593	S[1073]	-4970	309.5
1526	S[1006]	-4032	184.5	1560	S[1040]	-4508	184.5	1594	S[1074]	-4984	184.5
1527	S[1007]	-4046	309.5	1561	S[1041]	-4522	309.5	1595	S[1075]	-4998	309.5
1528	S[1008]	-4060	184.5	1562	S[1042]	-4536	184.5	1596	S[1076]	-5012	184.5
1529	S[1009]	-4074	309.5	1563	S[1043]	-4550	309.5	1597	S[1077]	-5026	309.5
1530	S[1010]	-4088	184.5	1564	S[1044]	-4564	184.5	1598	S[1078]	-5040	184.5
1531	S[1011]	-4102	309.5	1565	S[1045]	-4578	309.5	1599	S[1079]	-5054	309.5
1532	S[1012]	-4116	184.5	1566	S[1046]	-4592	184.5	1600	S[1080]	-5068	184.5
1533	S[1013]	-4130	309.5	1567	S[1047]	-4606	309.5	1601	S[1081]	-5082	309.5
1534	S[1014]	-4144	184.5	1568	S[1048]	-4620	184.5	1602	S[1082]	-5096	184.5
1535	S[1015]	-4158	309.5	1569	S[1049]	-4634	309.5	1603	S[1083]	-5110	309.5
1536	S[1016]	-4172	184.5	1570	S[1050]	-4648	184.5	1604	S[1084]	-5124	184.5
1537	S[1017]	-4186	309.5	1571	S[1051]	-4662	309.5	1605	S[1085]	-5138	309.5
1538	S[1018]	-4200	184.5	1572	S[1052]	-4676	184.5	1606	S[1086]	-5152	184.5
1539	S[1019]	-4214	309.5	1573	S[1053]	-4690	309.5	1607	S[1087]	-5166	309.5
1540	S[1020]	-4228	184.5	1574	S[1054]	-4704	184.5	1608	S[1088]	-5180	184.5
1541	S[1021]	-4242	309.5	1575	S[1055]	-4718	309.5	1609	S[1089]	-5194	309.5
1542	S[1022]	-4256	184.5	1576	S[1056]	-4732	184.5	1610	S[1090]	-5208	184.5
1543	S[1023]	-4270	309.5	1577	S[1057]	-4746	309.5	1611	S[1091]	-5222	309.5
1544	S[1024]	-4284	184.5	1578	S[1058]	-4760	184.5	1612	S[1092]	-5236	184.5
1545	S[1025]	-4298	309.5	1579	S[1059]	-4774	309.5	1613	S[1093]	-5250	309.5
1546	S[1026]	-4312	184.5	1580	S[1060]	-4788	184.5	1614	S[1094]	-5264	184.5
1547	S[1027]	-4326	309.5	1581	S[1061]	-4802	309.5	1615	S[1095]	-5278	309.5
1548	S[1028]	-4340	184.5	1582	S[1062]	-4816	184.5	1616	S[1096]	-5292	184.5
1549	S[1029]	-4354	309.5	1583	S[1063]	-4830	309.5	1617	S[1097]	-5306	309.5
1550	S[1030]	-4368	184.5	1584	S[1064]	-4844	184.5	1618	S[1098]	-5320	184.5
1551	S[1031]	-4382	309.5	1585	S[1065]	-4858	309.5	1619	S[1099]	-5334	309.5
1552	S[1032]	-4396	184.5	1586	S[1066]	-4872	184.5	1620	S[1100]	-5348	184.5
1553	S[1033]	-4410	309.5	1587	S[1067]	-4886	309.5	1621	S[1101]	-5362	309.5
1554	S[1034]	-4424	184.5	1588	S[1068]	-4900	184.5	1622	S[1102]	-5376	184.5
1555	S[1035]	-4438	309.5	1589	S[1069]	-4914	309.5	1623	S[1103]	-5390	309.5
1556	S[1036]	-4452	184.5	1590	S[1070]	-4928	184.5	1624	S[1104]	-5404	184.5
1557	S[1037]	-4466	309.5	1591	S[1071]	-4942	309.5	1625	S[1105]	-5418	309.5
1558	S[1038]	-4480	184.5	1592	S[1072]	-4956	184.5	1626	S[1106]	-5432	184.5

PAD No.	PIN Name	X	Y	PAD No.	PIN Name	X	Y	PAD No.	PIN Name	X	Y
1627	S[1107]	-5446	309.5	1661	S[1141]	-5922	309.5	1695	S[1175]	-6398	309.5
1628	S[1108]	-5460	184.5	1662	S[1142]	-5936	184.5	1696	S[1176]	-6412	184.5
1629	S[1109]	-5474	309.5	1663	S[1143]	-5950	309.5	1697	S[1177]	-6426	309.5
1630	S[1110]	-5488	184.5	1664	S[1144]	-5964	184.5	1698	S[1178]	-6440	184.5
1631	S[1111]	-5502	309.5	1665	S[1145]	-5978	309.5	1699	S[1179]	-6454	309.5
1632	S[1112]	-5516	184.5	1666	S[1146]	-5992	184.5	1700	S[1180]	-6468	184.5
1633	S[1113]	-5530	309.5	1667	S[1147]	-6006	309.5	1701	S[1181]	-6482	309.5
1634	S[1114]	-5544	184.5	1668	S[1148]	-6020	184.5	1702	S[1182]	-6496	184.5
1635	S[1115]	-5558	309.5	1669	S[1149]	-6034	309.5	1703	S[1183]	-6510	309.5
1636	S[1116]	-5572	184.5	1670	S[1150]	-6048	184.5	1704	S[1184]	-6524	184.5
1637	S[1117]	-5586	309.5	1671	S[1151]	-6062	309.5	1705	S[1185]	-6538	309.5
1638	S[1118]	-5600	184.5	1672	S[1152]	-6076	184.5	1706	S[1186]	-6552	184.5
1639	S[1119]	-5614	309.5	1673	S[1153]	-6090	309.5	1707	S[1187]	-6566	309.5
1640	S[1120]	-5628	184.5	1674	S[1154]	-6104	184.5	1708	S[1188]	-6580	184.5
1641	S[1121]	-5642	309.5	1675	S[1155]	-6118	309.5	1709	S[1189]	-6594	309.5
1642	S[1122]	-5656	184.5	1676	S[1156]	-6132	184.5	1710	S[1190]	-6608	184.5
1643	S[1123]	-5670	309.5	1677	S[1157]	-6146	309.5	1711	S[1191]	-6622	309.5
1644	S[1124]	-5684	184.5	1678	S[1158]	-6160	184.5	1712	S[1192]	-6636	184.5
1645	S[1125]	-5698	309.5	1679	S[1159]	-6174	309.5	1713	S[1193]	-6650	309.5
1646	S[1126]	-5712	184.5	1680	S[1160]	-6188	184.5	1714	S[1194]	-6664	184.5
1647	S[1127]	-5726	309.5	1681	S[1161]	-6202	309.5	1715	S[1195]	-6678	309.5
1648	S[1128]	-5740	184.5	1682	S[1162]	-6216	184.5	1716	S[1196]	-6692	184.5
1649	S[1129]	-5754	309.5	1683	S[1163]	-6230	309.5	1717	S[1197]	-6706	309.5
1650	S[1130]	-5768	184.5	1684	S[1164]	-6244	184.5	1718	S[1198]	-6720	184.5
1651	S[1131]	-5782	309.5	1685	S[1165]	-6258	309.5	1719	S[1199]	-6734	309.5
1652	S[1132]	-5796	184.5	1686	S[1166]	-6272	184.5	1720	S[1200]	-6748	184.5
1653	S[1133]	-5810	309.5	1687	S[1167]	-6286	309.5	1721	S[1201]	-6762	309.5
1654	S[1134]	-5824	184.5	1688	S[1168]	-6300	184.5	1722	S[1202]	-6776	184.5
1655	S[1135]	-5838	309.5	1689	S[1169]	-6314	309.5	1723	S[1203]	-6790	309.5
1656	S[1136]	-5852	184.5	1690	S[1170]	-6328	184.5	1724	S[1204]	-6804	184.5
1657	S[1137]	-5866	309.5	1691	S[1171]	-6342	309.5	1725	S[1205]	-6818	309.5
1658	S[1138]	-5880	184.5	1692	S[1172]	-6356	184.5	1726	S[1206]	-6832	184.5
1659	S[1139]	-5894	309.5	1693	S[1173]	-6370	309.5	1727	S[1207]	-6846	309.5
1660	S[1140]	-5908	184.5	1694	S[1174]	-6384	184.5	1728	S[1208]	-6860	184.5

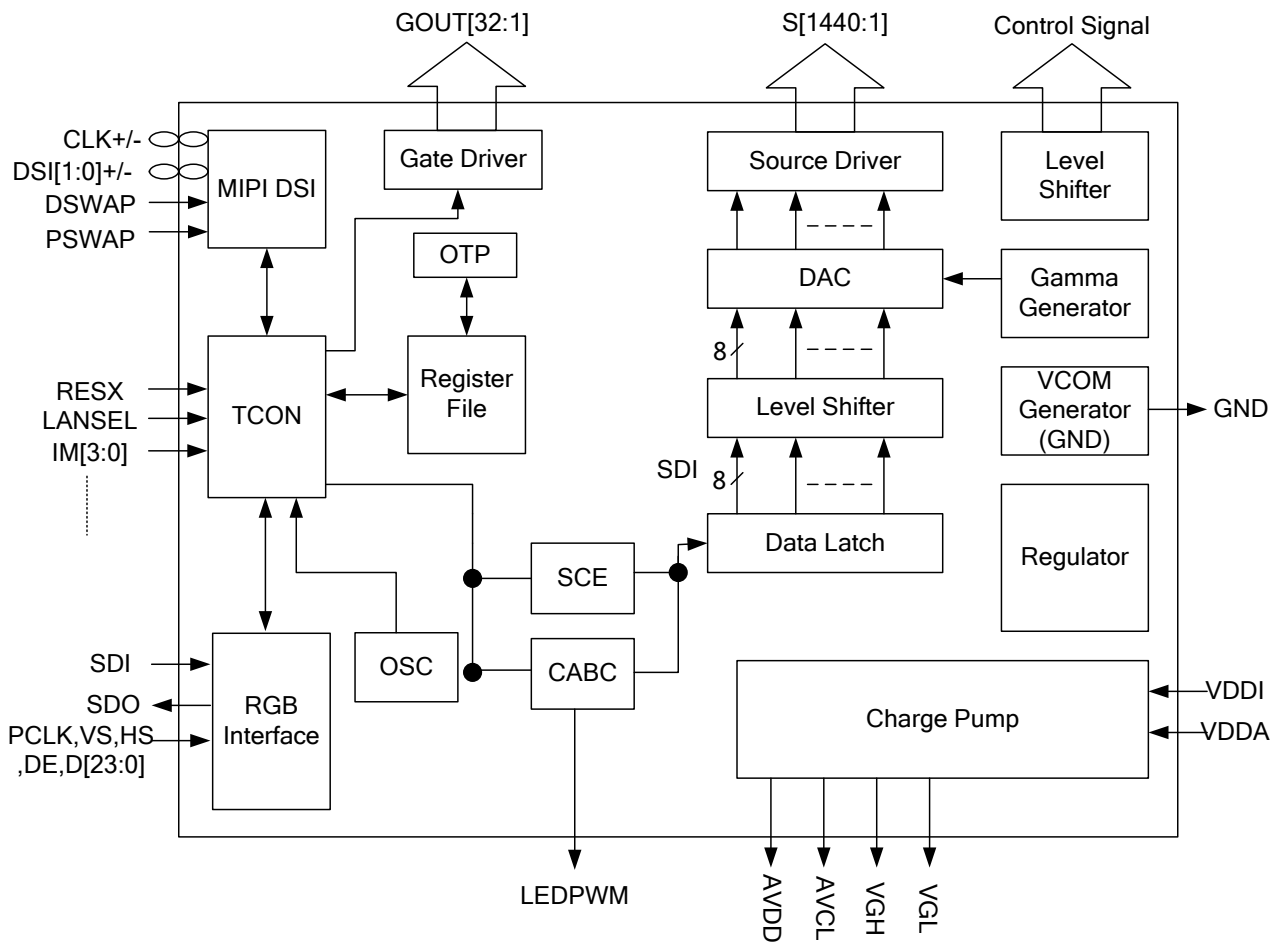
PAD No.	PIN Name	X	Y	PAD No.	PIN Name	X	Y	PAD No.	PIN Name	X	Y
1729	S[1209]	-6874	309.5	1763	S[1243]	-7350	309.5	1797	S[1277]	-7826	309.5
1730	S[1210]	-6888	184.5	1764	S[1244]	-7364	184.5	1798	S[1278]	-7840	184.5
1731	S[1211]	-6902	309.5	1765	S[1245]	-7378	309.5	1799	S[1279]	-7854	309.5
1732	S[1212]	-6916	184.5	1766	S[1246]	-7392	184.5	1800	S[1280]	-7868	184.5
1733	S[1213]	-6930	309.5	1767	S[1247]	-7406	309.5	1801	S[1281]	-7882	309.5
1734	S[1214]	-6944	184.5	1768	S[1248]	-7420	184.5	1802	S[1282]	-7896	184.5
1735	S[1215]	-6958	309.5	1769	S[1249]	-7434	309.5	1803	S[1283]	-7910	309.5
1736	S[1216]	-6972	184.5	1770	S[1250]	-7448	184.5	1804	S[1284]	-7924	184.5
1737	S[1217]	-6986	309.5	1771	S[1251]	-7462	309.5	1805	S[1285]	-7938	309.5
1738	S[1218]	-7000	184.5	1772	S[1252]	-7476	184.5	1806	S[1286]	-7952	184.5
1739	S[1219]	-7014	309.5	1773	S[1253]	-7490	309.5	1807	S[1287]	-7966	309.5
1740	S[1220]	-7028	184.5	1774	S[1254]	-7504	184.5	1808	S[1288]	-7980	184.5
1741	S[1221]	-7042	309.5	1775	S[1255]	-7518	309.5	1809	S[1289]	-7994	309.5
1742	S[1222]	-7056	184.5	1776	S[1256]	-7532	184.5	1810	S[1290]	-8008	184.5
1743	S[1223]	-7070	309.5	1777	S[1257]	-7546	309.5	1811	S[1291]	-8022	309.5
1744	S[1224]	-7084	184.5	1778	S[1258]	-7560	184.5	1812	S[1292]	-8036	184.5
1745	S[1225]	-7098	309.5	1779	S[1259]	-7574	309.5	1813	S[1293]	-8050	309.5
1746	S[1226]	-7112	184.5	1780	S[1260]	-7588	184.5	1814	S[1294]	-8064	184.5
1747	S[1227]	-7126	309.5	1781	S[1261]	-7602	309.5	1815	S[1295]	-8078	309.5
1748	S[1228]	-7140	184.5	1782	S[1262]	-7616	184.5	1816	S[1296]	-8092	184.5
1749	S[1229]	-7154	309.5	1783	S[1263]	-7630	309.5	1817	S[1297]	-8106	309.5
1750	S[1230]	-7168	184.5	1784	S[1264]	-7644	184.5	1818	S[1298]	-8120	184.5
1751	S[1231]	-7182	309.5	1785	S[1265]	-7658	309.5	1819	S[1299]	-8134	309.5
1752	S[1232]	-7196	184.5	1786	S[1266]	-7672	184.5	1820	S[1300]	-8148	184.5
1753	S[1233]	-7210	309.5	1787	S[1267]	-7686	309.5	1821	S[1301]	-8162	309.5
1754	S[1234]	-7224	184.5	1788	S[1268]	-7700	184.5	1822	S[1302]	-8176	184.5
1755	S[1235]	-7238	309.5	1789	S[1269]	-7714	309.5	1823	S[1303]	-8190	309.5
1756	S[1236]	-7252	184.5	1790	S[1270]	-7728	184.5	1824	S[1304]	-8204	184.5
1757	S[1237]	-7266	309.5	1791	S[1271]	-7742	309.5	1825	S[1305]	-8218	309.5
1758	S[1238]	-7280	184.5	1792	S[1272]	-7756	184.5	1826	S[1306]	-8232	184.5
1759	S[1239]	-7294	309.5	1793	S[1273]	-7770	309.5	1827	S[1307]	-8246	309.5
1760	S[1240]	-7308	184.5	1794	S[1274]	-7784	184.5	1828	S[1308]	-8260	184.5
1761	S[1241]	-7322	309.5	1795	S[1275]	-7798	309.5	1829	S[1309]	-8274	309.5
1762	S[1242]	-7336	184.5	1796	S[1276]	-7812	184.5	1830	S[1310]	-8288	184.5

PAD No.	PIN Name	X	Y	PAD No.	PIN Name	X	Y	PAD No.	PIN Name	X	Y
1831	S[1311]	-8302	309.5	1865	S[1345]	-8778	309.5	1899	S[1379]	-9254	309.5
1832	S[1312]	-8316	184.5	1866	S[1346]	-8792	184.5	1900	S[1380]	-9268	184.5
1833	S[1313]	-8330	309.5	1867	S[1347]	-8806	309.5	1901	S[1381]	-9282	309.5
1834	S[1314]	-8344	184.5	1868	S[1348]	-8820	184.5	1902	S[1382]	-9296	184.5
1835	S[1315]	-8358	309.5	1869	S[1349]	-8834	309.5	1903	S[1383]	-9310	309.5
1836	S[1316]	-8372	184.5	1870	S[1350]	-8848	184.5	1904	S[1384]	-9324	184.5
1837	S[1317]	-8386	309.5	1871	S[1351]	-8862	309.5	1905	S[1385]	-9338	309.5
1838	S[1318]	-8400	184.5	1872	S[1352]	-8876	184.5	1906	S[1386]	-9352	184.5
1839	S[1319]	-8414	309.5	1873	S[1353]	-8890	309.5	1907	S[1387]	-9366	309.5
1840	S[1320]	-8428	184.5	1874	S[1354]	-8904	184.5	1908	S[1388]	-9380	184.5
1841	S[1321]	-8442	309.5	1875	S[1355]	-8918	309.5	1909	S[1389]	-9394	309.5
1842	S[1322]	-8456	184.5	1876	S[1356]	-8932	184.5	1910	S[1390]	-9408	184.5
1843	S[1323]	-8470	309.5	1877	S[1357]	-8946	309.5	1911	S[1391]	-9422	309.5
1844	S[1324]	-8484	184.5	1878	S[1358]	-8960	184.5	1912	S[1392]	-9436	184.5
1845	S[1325]	-8498	309.5	1879	S[1359]	-8974	309.5	1913	S[1393]	-9450	309.5
1846	S[1326]	-8512	184.5	1880	S[1360]	-8988	184.5	1914	S[1394]	-9464	184.5
1847	S[1327]	-8526	309.5	1881	S[1361]	-9002	309.5	1915	S[1395]	-9478	309.5
1848	S[1328]	-8540	184.5	1882	S[1362]	-9016	184.5	1916	S[1396]	-9492	184.5
1849	S[1329]	-8554	309.5	1883	S[1363]	-9030	309.5	1917	S[1397]	-9506	309.5
1850	S[1330]	-8568	184.5	1884	S[1364]	-9044	184.5	1918	S[1398]	-9520	184.5
1851	S[1331]	-8582	309.5	1885	S[1365]	-9058	309.5	1919	S[1399]	-9534	309.5
1852	S[1332]	-8596	184.5	1886	S[1366]	-9072	184.5	1920	S[1400]	-9548	184.5
1853	S[1333]	-8610	309.5	1887	S[1367]	-9086	309.5	1921	S[1401]	-9562	309.5
1854	S[1334]	-8624	184.5	1888	S[1368]	-9100	184.5	1922	S[1402]	-9576	184.5
1855	S[1335]	-8638	309.5	1889	S[1369]	-9114	309.5	1923	S[1403]	-9590	309.5
1856	S[1336]	-8652	184.5	1890	S[1370]	-9128	184.5	1924	S[1404]	-9604	184.5
1857	S[1337]	-8666	309.5	1891	S[1371]	-9142	309.5	1925	S[1405]	-9618	309.5
1858	S[1338]	-8680	184.5	1892	S[1372]	-9156	184.5	1926	S[1406]	-9632	184.5
1859	S[1339]	-8694	309.5	1893	S[1373]	-9170	309.5	1927	S[1407]	-9646	309.5
1860	S[1340]	-8708	184.5	1894	S[1374]	-9184	184.5	1928	S[1408]	-9660	184.5
1861	S[1341]	-8722	309.5	1895	S[1375]	-9198	309.5	1929	S[1409]	-9674	309.5
1862	S[1342]	-8736	184.5	1896	S[1376]	-9212	184.5	1930	S[1410]	-9688	184.5
1863	S[1343]	-8750	309.5	1897	S[1377]	-9226	309.5	1931	S[1411]	-9702	309.5
1864	S[1344]	-8764	184.5	1898	S[1378]	-9240	184.5	1932	S[1412]	-9716	184.5

PAD No.	PIN Name	X	Y	PAD No.	PIN Name	X	Y	PAD No.	PIN Name	X	Y
1933	S[1413]	-9730	309.5	1967	VGL	-10206	309.5	2001	DMY	-10682	309.5
1934	S[1414]	-9744	184.5	1968	VGL	-10220	184.5	2002	DMY	-10696	184.5
1935	S[1415]	-9758	309.5	1969	VGL	-10234	309.5	2003	DMY	-10710	309.5
1936	S[1416]	-9772	184.5	1970	VGL	-10248	184.5	2004	DMY	-10724	184.5
1937	S[1417]	-9786	309.5	1971	VGL	-10262	309.5	2005	DMY	-10738	309.5
1938	S[1418]	-9800	184.5	1972	VGL	-10276	184.5	2006	DMY	-10752	184.5
1939	S[1419]	-9814	309.5	1973	VGL	-10290	309.5	2007	DMY	-10766	309.5
1940	S[1420]	-9828	184.5	1974	VGHS	-10304	184.5	2008	DMY	-10780	184.5
1941	S[1421]	-9842	309.5	1975	VGHS	-10318	309.5	2009	DMY	-10794	309.5
1942	S[1422]	-9856	184.5	1976	VGHS	-10332	184.5	2010	DMY	-10808	184.5
1943	S[1423]	-9870	309.5	1977	VGHS	-10346	309.5	2011	DMY	-10822	309.5
1944	S[1424]	-9884	184.5	1978	VGHS	-10360	184.5	2012	DMY	-10836	184.5
1945	S[1425]	-9898	309.5	1979	VGHS	-10374	309.5	2013	DMY	-10850	309.5
1946	S[1426]	-9912	184.5	1980	VGHS	-10388	184.5	2014	DMY	-10864	184.5
1947	S[1427]	-9926	309.5	1981	VGHS	-10402	309.5	2015	DMY	-10878	309.5
1948	S[1428]	-9940	184.5	1982	DMY	-10416	184.5	2016	DMY	-10892	184.5
1949	S[1429]	-9954	309.5	1983	DMY	-10430	309.5	2017	DMY	-10906	309.5
1950	S[1430]	-9968	184.5	1984	DMY	-10444	184.5	2018	DMY	-10920	184.5
1951	S[1431]	-9982	309.5	1985	DMY	-10458	309.5	2019	DMY	-10934	309.5
1952	S[1432]	-9996	184.5	1986	DMY	-10472	184.5	2020	DMY	-10948	184.5
1953	S[1433]	-10010	309.5	1987	DMY	-10486	309.5	2021	DMY	-10962	309.5
1954	S[1434]	-10024	184.5	1988	DMY	-10500	184.5	2022	DMY	-10976	184.5
1955	S[1435]	-10038	309.5	1989	DMY	-10514	309.5	2023	DMY	-10990	309.5
1956	S[1436]	-10052	184.5	1990	DMY	-10528	184.5	2024	DMY	-11004	184.5
1957	S[1437]	-10066	309.5	1991	DMY	-10542	309.5	2025	DMY	-11018	309.5
1958	S[1438]	-10080	184.5	1992	DMY	-10556	184.5	2026	GO[17]	-11032	184.5
1959	S[1439]	-10094	309.5	1993	DMY	-10570	309.5	2027	GO[17]	-11046	309.5
1960	S[1440]	-10108	184.5	1994	DMY	-10584	184.5	2028	GO[18]	-11060	184.5
1961	SDUM2	-10122	309.5	1995	DMY	-10598	309.5	2029	GO[18]	-11074	309.5
1962	SDUM3	-10136	184.5	1996	DMY	-10612	184.5	2030	GO[19]	-11088	184.5
1963	DMY	-10150	309.5	1997	DMY	-10626	309.5	2031	GO[19]	-11102	309.5
1964	DMY	-10164	184.5	1998	DMY	-10640	184.5	2032	GO[20]	-11116	184.5
1965	VGL	-10178	309.5	1999	DMY	-10654	309.5	2033	GO[20]	-11130	309.5
1966	VGL	-10192	184.5	2000	DMY	-10668	184.5	2034	GO[21]	-11144	184.5

PAD No.	PIN Name	X	Y	PAD No.	PIN Name	X	Y	PAD No.	PIN Name	X	Y
2035	GO[21]	-11158	309.5	2050	GO[29]	-11368	184.5	2065	GO[32]	-11578	309.5
2036	GO[22]	-11172	184.5	2051	GO[29]	-11382	309.5	2066	GO[32]	-11592	184.5
2037	GO[22]	-11186	309.5	2052	GO[30]	-11396	184.5	2067	VGL	-11606	309.5
2038	GO[23]	-11200	184.5	2053	GO[30]	-11410	309.5	2068	VGL	-11620	184.5
2039	GO[23]	-11214	309.5	2054	VGL	-11424	184.5	2069	VGL	-11634	309.5
2040	GO[24]	-11228	184.5	2055	VGL	-11438	309.5	2070	VGHS	-11648	184.5
2041	GO[24]	-11242	309.5	2056	VGL	-11452	184.5	2071	VGHS	-11662	309.5
2042	GO[25]	-11256	184.5	2057	DMY	-11466	309.5	2072	VGHS	-11676	184.5
2043	GO[25]	-11270	309.5	2058	DMY	-11480	184.5	2073	PADA4	-11690	309.5
2044	GO[26]	-11284	184.5	2059	DMY	-11494	309.5	2074	PADB4	-11704	184.5
2045	GO[26]	-11298	309.5	2060	VGL	-11508	184.5	2075	DMY	-11718	309.5
2046	GO[27]	-11312	184.5	2061	VGL	-11522	309.5	2076	DMY	-11732	184.5
2047	GO[27]	-11326	309.5	2062	VGL	-11536	184.5	2077	DMY	-11760	309.5
2048	GO[28]	-11340	184.5	2063	GO[31]	-11550	309.5	2078	ALIGN_L	-11870	302
2049	GO[28]	-11354	309.5	2064	GO[31]	-11564	184.5	2079	ALIGN_R	11870	302

5 BLOCK DIAGRAM



6 PIN DESCRIPTION

6.1 Power Supply Pins

Name	I/O	Description	Connect Pin
VDDI	I	Power Supply for I/O System.	VDDI
VDDA	I	Power Supply for Analog, Digital System and Booster Circuit.	VDDA
VDDM	I	Power Supply for MIPI Circuit.	VDDA
Vddb	I	Power Supply for internal Circuit.	VDDA
Vddb2	I	Power Supply for internal Circuit.	VDDA
VDDR	I	Power Supply for internal Circuit.	VDDA
VDDR1	I	Power Supply for internal Circuit.	VDDA
VSSB	I	System Ground for internal Circuit.	AGND
VSSB2	I	System Ground for internal Circuit.	AGND
VSSR	I	System Ground for internal Circuit.	AGND
VSSA	I	System Ground for internal Circuit.	AGND
VSSM	I	System Ground for MIPI Circuit.	AGND
SGND	I	System Ground for internal Circuit.	AGND
AGND	I	System Ground for Analog System and Booster Circuit.	AGND
DGND	I	System Ground for I/O System and Digital System.	DGND
VPP	I	When programming NVM, can select internal power or external power supply voltage (7.5V); the current of Ivpp must be more than 10mA. <i>If select internal power then leaves the pin open when not in use.</i>	External Power

6.2 Bus Interface Pins

Name	I/O	Description	Connect Pin																																																		
Digital Control																																																					
IM3, IM2, IM1, IM0	I	<p>-The System interface mode select.</p> <table border="1" style="margin-left: auto; margin-right: auto;"> <thead> <tr> <th>IM3</th> <th>IM2</th> <th>IM1</th> <th>IM0</th> <th>MPU Interface Mode</th> </tr> </thead> <tbody> <tr> <td>0</td> <td>0</td> <td>0</td> <td>1</td> <td>RGB+8b_SPI(fall)</td> </tr> <tr> <td>0</td> <td>0</td> <td>1</td> <td>0</td> <td>RGB+9b_SPI(fall)</td> </tr> <tr> <td>0</td> <td>0</td> <td>1</td> <td>1</td> <td>RGB+16b_SPI(rise)</td> </tr> <tr> <td>0/1</td> <td>1</td> <td>0</td> <td>1</td> <td>MIPI</td> </tr> <tr> <td>0</td> <td>1</td> <td>1</td> <td>0</td> <td>MIPI+16b_SPI(rise)</td> </tr> <tr> <td>1</td> <td>0</td> <td>0</td> <td>1</td> <td>RGB+8b_SPI(rise)</td> </tr> <tr> <td>1</td> <td>0</td> <td>1</td> <td>0</td> <td>RGB+9b_SPI(rise)</td> </tr> <tr> <td>1</td> <td>0</td> <td>1</td> <td>1</td> <td>RGB+16b_SPI(fall)</td> </tr> <tr> <td>1</td> <td>1</td> <td>1</td> <td>0</td> <td>MIPI+16b_SPI(fall)</td> </tr> </tbody> </table>	IM3	IM2	IM1	IM0	MPU Interface Mode	0	0	0	1	RGB+8b_SPI(fall)	0	0	1	0	RGB+9b_SPI(fall)	0	0	1	1	RGB+16b_SPI(rise)	0/1	1	0	1	MIPI	0	1	1	0	MIPI+16b_SPI(rise)	1	0	0	1	RGB+8b_SPI(rise)	1	0	1	0	RGB+9b_SPI(rise)	1	0	1	1	RGB+16b_SPI(fall)	1	1	1	0	MIPI+16b_SPI(fall)	VDDI/DGND
IM3	IM2	IM1	IM0	MPU Interface Mode																																																	
0	0	0	1	RGB+8b_SPI(fall)																																																	
0	0	1	0	RGB+9b_SPI(fall)																																																	
0	0	1	1	RGB+16b_SPI(rise)																																																	
0/1	1	0	1	MIPI																																																	
0	1	1	0	MIPI+16b_SPI(rise)																																																	
1	0	0	1	RGB+8b_SPI(rise)																																																	
1	0	1	0	RGB+9b_SPI(rise)																																																	
1	0	1	1	RGB+16b_SPI(fall)																																																	
1	1	1	0	MIPI+16b_SPI(fall)																																																	
RESETSX	I	<p>- The external reset input</p> <p>- Initializes the chip with a low input. Be sure to execute a power-on reset after supplying power.</p>	MPU																																																		
NBWSEL	I	<p>Input pin to select the gamma voltage level sequence of V0~V255.</p> <p>Low: V0 > V1 >...> V254 > V255, normally white</p> <p>High: V255 > V254 >...> V1 > V0, normally black</p> <p><i>Fix to VDDI level when not in use.</i></p>	VDDI/DGND																																																		
GO [3:0]	O	<p>General purpose output pins. The output voltage swing is VDDI to DGND.</p> <p><i>Leave the pin open.</i></p>	MPU VDDI/DGND																																																		
SPI Interface																																																					
CSX	I	<p>- A chip select signal</p> <p>Low: the chip is selected and accessible</p> <p>High: the chip is not selected and not accessible</p> <p><i>Fix to VDDI or DGND level when not in use.</i></p>	MPU																																																		
DCX	I	<p>- The SPI interface (DCX): The signal for command or parameter select.</p> <p>Low: Command</p> <p>High: Parameter</p> <p><i>Fix to VDDI or DGND level when not in use.</i></p>	MPU																																																		
SCL	I	SCL: Serial clock input for SPI interface.	MPU																																																		

Name	I/O	Description	Connect Pin
		<i>Fix to VDDI or DGND level when not in use.</i>	
SDA	I	SDA: Serial data input pin for SPI Interface. <i>Fix to DGND level when not in use.</i>	MPU
SDO	O	Serial data output pin used for the SPI Interface. <i>Leave the pin open when not in use.</i>	MPU
I2C_SA[0:1]	I	<i>Fix to VDDI or DGND level.</i>	MPU
RGB Interface			
PCLK	I	Dot clock signal for RGB interface operation <i>Fix to VDDI or DGND level when not in use.</i>	MPU
VS	I	Frame synchronizing signal for RGB interface operation <i>Fix to VDDI or DGND level when not in use.</i>	MPU
HS	I	Line synchronizing signal for RGB interface operation <i>Fix to VDDI or DGND level when not in use.</i>	MPU
DE	I	Data enable signal for RGB interface operation Low: access enabled High: access inhibited <i>Fix to VDDI or DGND level when not in use.</i>	MPU
DB [23:0]	I/O	A 24-bit parallel data bus for RGB Interface. 24-bit/pixel: D[23:16]=R,D[15:8]=G,D[7:0]=B 18-bit/pixel: MDT=0:D[21:16]=R,D[13:8]=G,D[5:0]=B MDT=1:D[17:12]=R,D[11:6]=G,D[5:0]=B 16-bit/pixel: D[20:16]=R,D[13:8]=G,[4:0]=B <i>Fix to VDDI or DGND level when not in use.</i>	MPU
CABC Control			
LEDON	O	Used for turning On/Off external LED backlight control. <i>Leave the pin open when not in use.</i>	CABC
LEDPWM	O	The PWM frequency output for LCD driver control. <i>Leave the pin open when not in use.</i>	CABC
MIPI Interface			
CP CN	I	MIPI DSI differential clock pair. That the COG resistance is less than 10 ohm. <i>If MIPI are not in use, they should be connected to VSSM.</i>	MIPI
DP0 DN0 DP1	I/O	MIPI DSI differential data pair. That the COG resistance is less than 10 ohm. <i>If MIPI are not in use, they should be connected to VSSM</i>	MIPI

Name	I/O	Description	Connect Pin																																												
DN1																																															
ERR	O	CRC and ECC error output pin for the MIPI interface, activated by SW command. This pin is output low when it is not activated. When this pin is activated, it is output high if CRC/ECC error is found. <i>Leave the pin open when not in use.</i>	MIPI																																												
LANSEL	I	Input pin to select 1 data lane or 2 data lanes in MIPI/MDDI interface. Low: 1 data lane High: 2 data lanes <i>Fix to VSSI level when not in use.</i>	MIPI																																												
DSWAP PSWAP	I	Differential clock polarity swap For MIPI interface <table border="1" style="margin-left: auto; margin-right: auto;"> <thead> <tr> <th rowspan="2">DSWAP</th> <th rowspan="2">PSWAP</th> <th colspan="6">Pins</th> </tr> <tr> <th>CLK_P</th> <th>CLK_N</th> <th>D0_P</th> <th>D0_N</th> <th>D1_P</th> <th>D1_N</th> </tr> </thead> <tbody> <tr> <td rowspan="2">0</td> <td>0</td> <td>CLK_P</td> <td>CLK_N</td> <td>D0_P</td> <td>D0_N</td> <td>D1_P</td> <td>D1_N</td> </tr> <tr> <td>1</td> <td>CLK_N</td> <td>CLK_P</td> <td>D0_N</td> <td>D0_P</td> <td>D1_N</td> <td>D1_P</td> </tr> <tr> <td rowspan="2">1</td> <td>0</td> <td>CLK_P</td> <td>CLK_N</td> <td>D1_P</td> <td>D1_N</td> <td>D0_P</td> <td>D0_N</td> </tr> <tr> <td>1</td> <td>CLK_N</td> <td>CLK_P</td> <td>D1_N</td> <td>D1_P</td> <td>D0_N</td> <td>D0_P</td> </tr> </tbody> </table>	DSWAP	PSWAP	Pins						CLK_P	CLK_N	D0_P	D0_N	D1_P	D1_N	0	0	CLK_P	CLK_N	D0_P	D0_N	D1_P	D1_N	1	CLK_N	CLK_P	D0_N	D0_P	D1_N	D1_P	1	0	CLK_P	CLK_N	D1_P	D1_N	D0_P	D0_N	1	CLK_N	CLK_P	D1_N	D1_P	D0_N	D0_P	VDDI/DGND
DSWAP	PSWAP	Pins																																													
		CLK_P	CLK_N	D0_P	D0_N	D1_P	D1_N																																								
0	0	CLK_P	CLK_N	D0_P	D0_N	D1_P	D1_N																																								
	1	CLK_N	CLK_P	D0_N	D0_P	D1_N	D1_P																																								
1	0	CLK_P	CLK_N	D1_P	D1_N	D0_P	D0_N																																								
	1	CLK_N	CLK_P	D1_N	D1_P	D0_N	D0_P																																								

Note1. "1" = VDDI level, "0" = DGND level.

Note2. When in parallel mode, unused data pins must be connected to "1" or "0".

Note3. When CSX="1", there is no influence to the parallel and serial interface.

6.3 Driver Output Pins

Name	I/O	Description	Connect pin
S [1:1440]	O	Source output voltage signals applied to a LCD panel	LCD
GOUT [1:32]	O	Gate control signals and the swing voltage level is VGHO to VGLO	LCD
SDUM [0:3]	O	Dummy Source <i>Leave the pin open when not in use.</i>	LCD
VCOM	O	Regulator output for common voltage of panel. <i>Fix to AGND level.</i>	LCD
VGL	O	Connect to VGL or OPEN.	LCD
VGHS	O	Connect to VGH.	LCD

6.4 Test and other pins

VCC	O	Used for monitoring.	OPEN
VCCMA	O	Used for monitoring.	OPEN
V20	O	Used for monitoring.	OPEN
VPS1/VPS2	O	Used for monitoring.	OPEN
VCCMD	O	Used for monitoring.	OPEN
V12TX	O	Used for monitoring.	OPEN
AVDD	O	Power Pad for analog Circuit.	OPEN
AVCL	O	Power Pad for analog Circuit.	OPEN
VAN	O	A power output of grayscale voltage.	OPEN
VAP	O	A power output (negative) of gray scale voltage.	OPEN
RDX	I	Input pin for testing. <i>Fix to VDDI or DGND level.</i>	VDDI/DGND
DSTB_SEL	I	input pin for testing. <i>Fix to DGND level.</i>	DGND
EXB1T	I	This pin is for test.. <i>Fix to DGND level when not in use.</i>	DGND
VGSW [0:3]	I	Input pins for testing. <i>Fix to DGND level when not in use.</i>	VDDI/DGND
TESTO [0:3]	O	Output pins for testing. Please keep these pins floating.	OPEN
TE_L	O	For IC Test. <i>Leave the pin open when not in use.</i>	OPEN
VGHP	O	Power Pad for analog Circuit.	OPEN
VGHEQ2	O	Output pins for testing.	OPEN

		Please keep this pin floating.	
VSSIDUM0~3	I	GND Dummy pads. Connect to AGND.	AGND
PADA1 PADB1 PADA2 PADB2	I/O	These test pins for chip attachment detection. PADA1 to PADA2 are output pins and PADB1 to PADB2 are input pins. -For normal operation: Connect PADA1 and PADB1 together by ITO trace. Connect PADA2 and PADB2 together by ITO trace.	OPEN
CNTACT1 CNTACT2	I/O	Test pin , for test bonding quality.	OPEN
DUMMY	-	These pins are dummy (no electrical characteristic) Can pass signal through these pads on TFT panel. Please open these pins.	OPEN

7 DRIVER ELECTRICAL CHARACTERISTICS

7.1 Absolute Operation Range

Item	Symbol	Rating	Unit
Supply Voltage	VDD	- 0.3 ~ +4.6	V
Supply Voltage (Logic)	VDDI	- 0.3 ~ +4.6	V
Driver Supply Voltage	VGH-VGL	-0.3 ~ +30.0	V
Logic Input Voltage Range	VIN	-0.3 ~ VDDI + 0.3	V
Logic Output Voltage Range	VO	-0.3 ~ VDDI + 0.3	V
Operating Temperature Range	TOPR	-30 ~ +85	°C
Storage Temperature Range	TSTG	-40 ~ +125	°C

Table 1 Absolute Operation Range

Note: If one of the above items is exceeded its maximum limitation momentarily, the quality of the product may be degraded. Absolute maximum limitation, therefore, specify the values exceeding which the product may be physically damaged. Be sure to use the product within the recommend range.

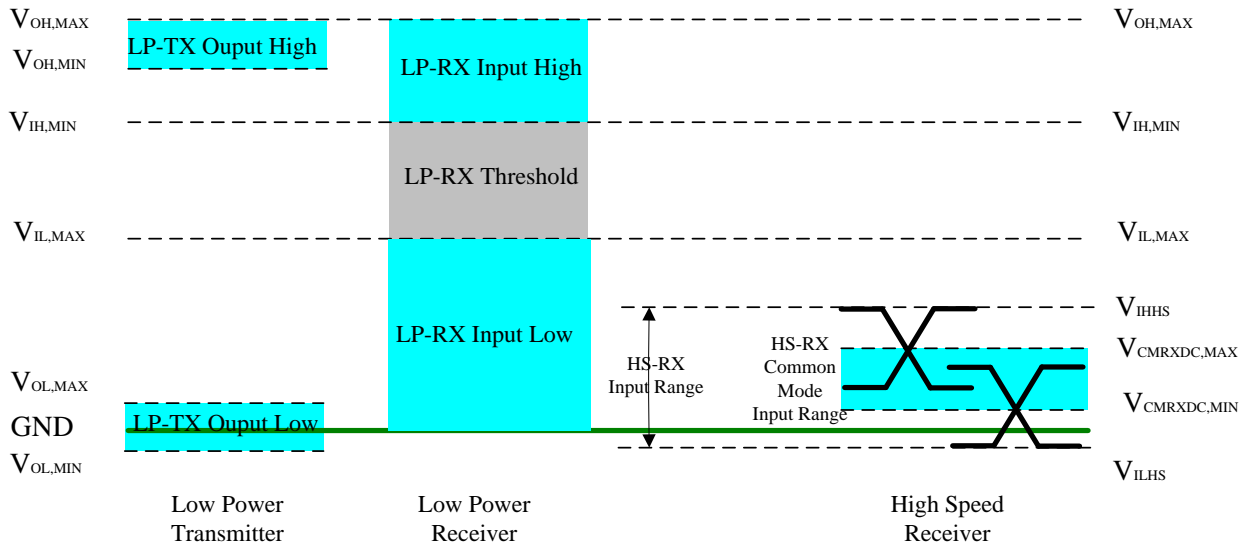
7.2 DC Characteristics

Parameter	Symbol	Condition	Specification			Unit	Related Pins
			MIN.	TYP.	MAX.		
Power & Operation Voltage							
System Voltage	VDD	Operating voltage	2.5	2.8	3.6	V	
Interface Operation Voltage	VDDI	I/O Supply Voltage	1.65	1.8	3.3	V	
Gate Driver High Voltage	VGH		11.5		17	V	
Gate Driver Low Voltage	VGL		-7.6		-12	V	
Gate Driver Supply Voltage		VGH-VGL	-		30	V	
Input / Output							
Logic-High Input Voltage	VIH		0.7VDDI		VDDI	V	Note 1
Logic-Low Input Voltage	VIL		VSS		0.3VDDI	V	Note 1
Logic-High Output Voltage	VOH	IOH = -1.0mA	0.8VDDI		VDDI	V	Note 1
Differential Input High Threshold Voltage	VIT+			0	50	mV	MIPI_CLK MIPI_Data
Differential Input Low Threshold Voltage	VIT-		-50	0		mV	
Single-ended Receiver Input Operation Voltage Range	VIR		0.5		1.2	V	
Logic-Low Output Voltage	VOL	IOL = +1.0mA	VSS		0.2VDDI	V	Note 1
Logic-High Input Current	I _{IH}	V _{IN} = VDDI			1	uA	Note 1
Logic-Low Input Current	I _{IL}	V _{IN} = VSS	-1			uA	Note 1
Input Leakage Current	I _{IL}	IOH = -1.0mA	-0.1		0.1	uA	Note 1
VCOM Voltage							
VCOM amplitude	VCOM			VSS		V	
Source Driver							
Gamma Reference Voltage(Positive)	VAP		4.4		6.4	V	
Gamma Reference Voltage(Negative)	VAN		-2.6		-4.6	V	
Source Output Settling Time	Tr	Below with 99% precision			10	us	Note 2

Table 2 Basic DC Characteristics
Notes:
1. Typical: VDDI=1.8V, VDD=2.8V; Ta=25 °C

2. *The Max. value is between measured point of source output and gamma setting value.*
3. *When evaluating the maximum and minimum of VG_H, VDD=2.8V.*
4. *The maximum value of |VG_H-VGL| can no over 30V..*

7.3 DC Characteristics



VDDI=1.8, VDD=2.8, AGND=DGND=0V, Ta=25 °C

Parameter	Symbol	Specification			Unit
		MIN	TYP	MAX	
Operation Voltage for MIPI Receiver					
Low power mode operating voltage	V _{LPH}	1.1	1.2	1.3	V
MIPI Characteristics for High Speed Receiver					
Single-ended input low voltage	V _{ILHS}	-40	-	-	mV
Single-ended input high voltage	V _{IHHS}	-	-	460	mV
Common-mode voltage	V _{CMRXDC}	70	-	330	mV
Differential input impedance	Z _{ID}	80	100	125	ohm
MIPI Characteristics for Low Power Mode					
Pad signal voltage range	V _I	-50	-	1350	mV
Logic 0 input threshold	V _{IL}	0-	-	550	mV
Logic 1 input threshold	V _{IH}	880	-	1350	mV
Output low level	V _{OL}	-50	-	50	mV
Output high level	V _{OH}	1.1	1.2	1.3	V

7.4 Power Consumption

RGB Interface

Ta=25°C, Frame rate = 60Hz, Registers setting are IC default setting.

Operation Mode	Image	Current Consumption			
		Typical		Maximum	
		IDD (uA)	IDD (uA)	IDD (uA)	IDD (uA)
Sleep-in mode	--	5	45	10	60

MIPI Interface

Ta=25°C, Frame rate = 60Hz, Registers setting are IC default setting.

Operation Mode	Image	Current Consumption			
		Typical		Maximum	
		IDD (uA)	IDD (uA)	IDD (uA)	IDD (uA)
Sleep-in mode	--	5	70	10	150

Table 3 Power Consumption

Notes:

1. The Current Consumption is DC characteristics of ST7701SN.
2. Typical: VDDI=1.8V, VDD=2.8V;

7.5 AC Characteristics

7.5.1 Serial Interface Characteristics (3-line serial):

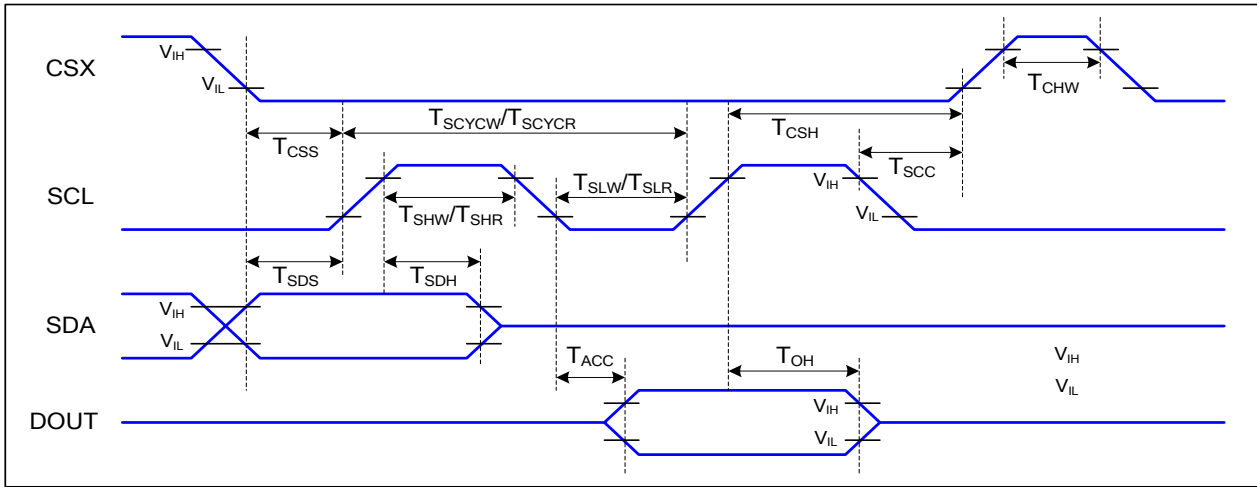


Figure 1 3-line serial Interface Timing Characteristics

VDDI=1.8, VDD=2.8, AGND=DGND=0V, Ta=25°C

Signal	Symbol	Parameter	Min	Max	Unit	Description
CSX	T _{CSS}	Chip select setup time (write)	15		ns	
	T _{CSH}	Chip select hold time (write)	15		ns	
	T _{CSS}	Chip select setup time (read)	60		ns	
	T _{SCC}	Chip select hold time (read)	60		ns	
	T _{CHW}	Chip select "H" pulse width	40		ns	
SCL	T _{SCYCW}	Serial clock cycle (Write)	66		ns	
	T _{SHW}	SCL "H" pulse width (Write)	15		ns	
	T _{SLW}	SCL "L" pulse width (Write)	15		ns	
	T _{SCYCR}	Serial clock cycle (Read)	150		ns	
	T _{SHR}	SCL "H" pulse width (Read)	60		ns	
	T _{SLR}	SCL "L" pulse width (Read)	60		ns	
SDA (DIN)	T _{SDS}	Data setup time	10		ns	
	T _{SDH}	Data hold time	10		ns	
SDO (DOU)	T _{ACC}	Access time	20	50	ns	Max: CL=30pF
	T _{OH}	Output disable time	50	50	ns	Min: CL=8pF

Table 4 3-line serial Interface Characteristics

Note : The rising time and falling time (Tr, Tf) of input signal are specified at 15 ns or less. Logic high and low levels are specified as 30% and 70% of VDDI for Input signals.

7.5.2 Serial Interface Characteristics (4-line serial):

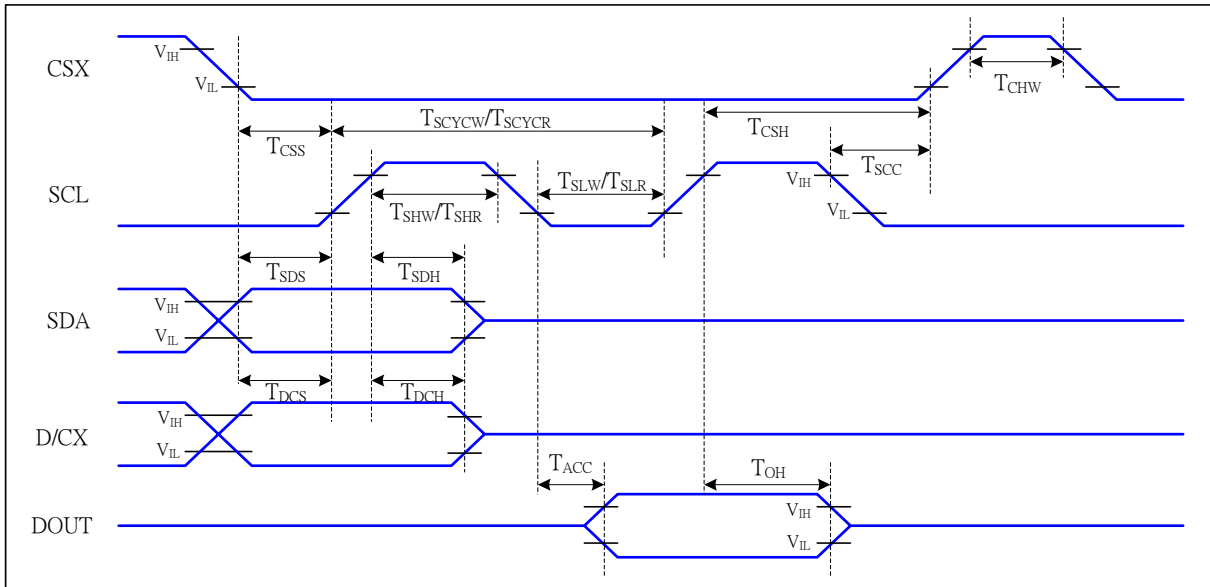


Figure 2 4-line serial Interface Timing Characteristics

VDDI=1.8, VDD=2.8, AGND=DGND=0V, Ta=25 °C

Signal	Symbol	Parameter	MIN	MAX	Unit	Description
CSX	T _{CSS}	Chip select setup time (write)	15		ns	
	T _{CSS}	Chip select setup time (read)	60		ns	
	T _{CSH}	Chip select hold time (write)	15		ns	
	T _{SCC}	Chip select hold time (read)	65		ns	
	T _{CHW}	Chip select "H" pulse width	40		ns	
SCL	T _{SCYCW}	Serial clock cycle (Write)	66		ns	-write command
	T _{SHW}	SCL "H" pulse width (Write)	15		ns	
	T _{SLW}	SCL "L" pulse width (Write)	15		ns	
	T _{SCYCR}	Serial clock cycle (Read)	150		ns	-read command
	T _{SHR}	SCL "H" pulse width (Read)	60		ns	
	T _{SLR}	SCL "L" pulse width (Read)	60		ns	
D/CX	T _{DCS}	D/CX setup time	10		ns	
	T _{DCH}	D/CX hold time	10		ns	
SDA (DIN)	T _{SDS}	Data setup time	10		ns	
	T _{SDH}	Data hold time	10		ns	
SDO (DOUT)	T _{ACC}	Access time	20	50	ns	Max: CL=30pF
	T _{OH}	Output disable time	50	50	ns	Min: CL=8pF

Table 5 4-line serial Interface Characteristics

Note : The rising time and falling time (Tr, Tf) of input signal are specified at 15 ns or less. Logic high and low levels are specified as 30% and 70% of VDDI for Input signals.

7.5.3 RGB Interface Characteristics :

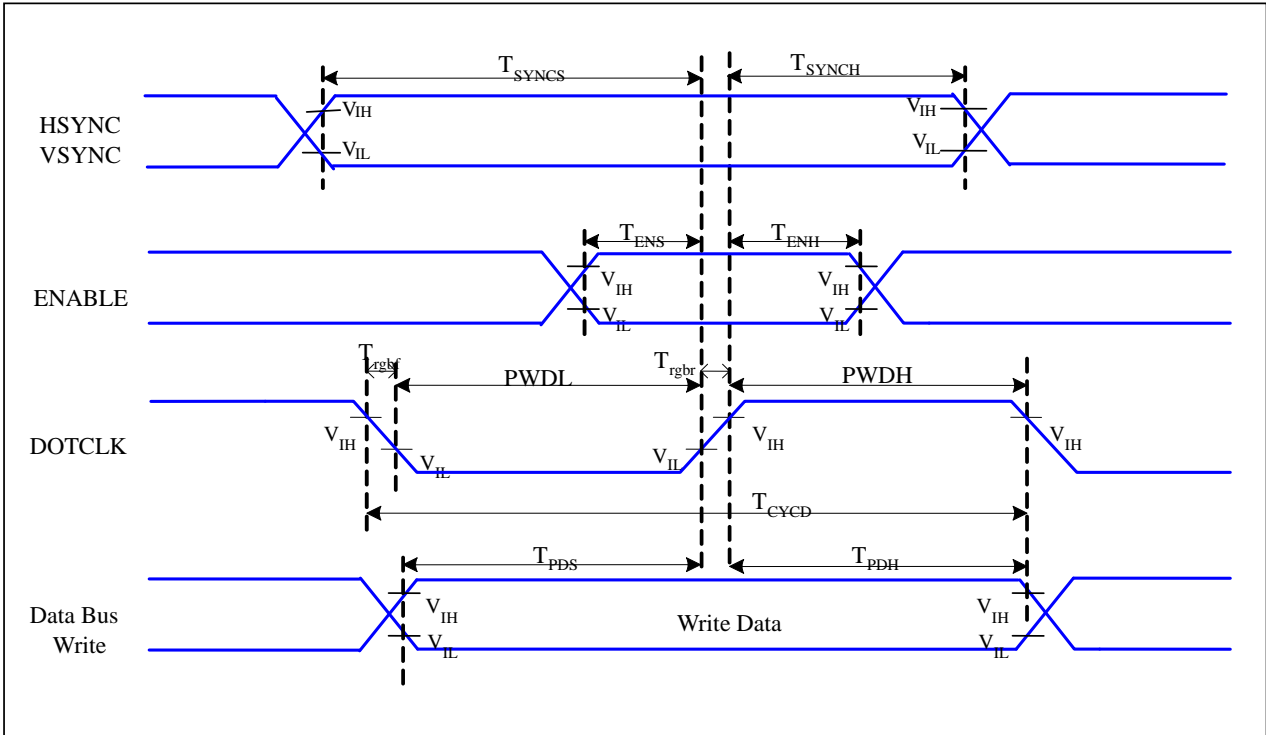


Figure 3 RGB Interface Timing Characteristics

VDDI=1.8, VDD=2.8, AGND=DGND=0V, Ta=25 °C

Signal	Symbol	Parameter	MIN	MAX	Unit	Description
HSYNC, VSYNC	T _{SYNCS}	VSYSNC, HSYNCS Setup Time	5	-	ns	
ENABLE	T _{ENS}	Enable Setup Time	5	-	ns	
	T _{ENH}	Enable Hold Time	5	-	ns	
DOTCLK	PWDH	DOTCLK High-level Pulse Width	15	-	ns	
	PWDL	DOTCLK Low-level Pulse Width	15	-	ns	
	T _{CYCD}	DOTCLK Cycle Time	33	-	ns	
	Trghr, Trghf	DOTCLK Rise/Fall time	-	15	ns	
DB	T _{PDS}	PD Data Setup Time	5	-	ns	
	T _{PDH}	PD Data Hold Time	5	-	ns	

Table 6 18/16 Bits RGB Interface Timing Characteristics

7.5.4 MIPI Interface Characteristics:

7.5.4.1 High Speed Mode

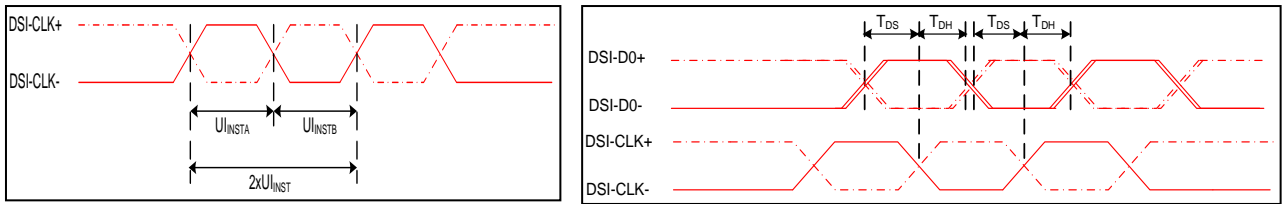


Figure 4 DSI clock channel timing

Figure 5 Rising and falling time on clock and data channel

VDDI=1.8, VDD=2.8, AGND=DGND=0V, Ta=25 °C

Signal	Symbol	Parameter	MIN	MAX	Unit	Description
DSI-CLK+/-	$2xUI_{INSTA}$	Double UI instantaneous	2.5	25	ns	
DSI-CLK+/-	UI_{INSTA} UI_{INSTB}	UI instantaneous halves	1.25	12.5	ns	$UI = UI_{INSTA} = UI_{INSTB}$
DSI-Dn+/-	t _{DS}	Data to clock setup time	0.15	-	UI	
DSI-Dn+/-	t _{DH}	Data to clock hold time	0.15	-	UI	

Table 7 Mipi Interface- High Speed Mode Timing Characteristics

7.5.4.2 Low Power Mode

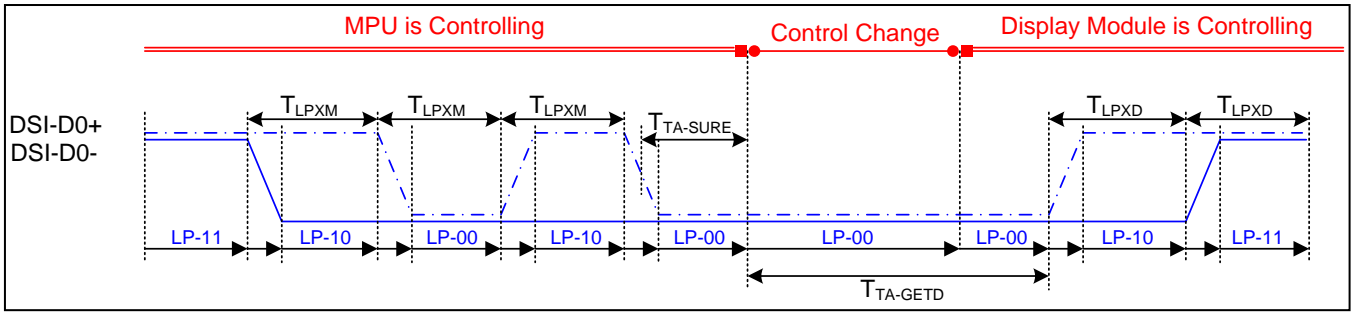


Figure 6 Bus Turnaround (BTA) from display module to MPU Timing

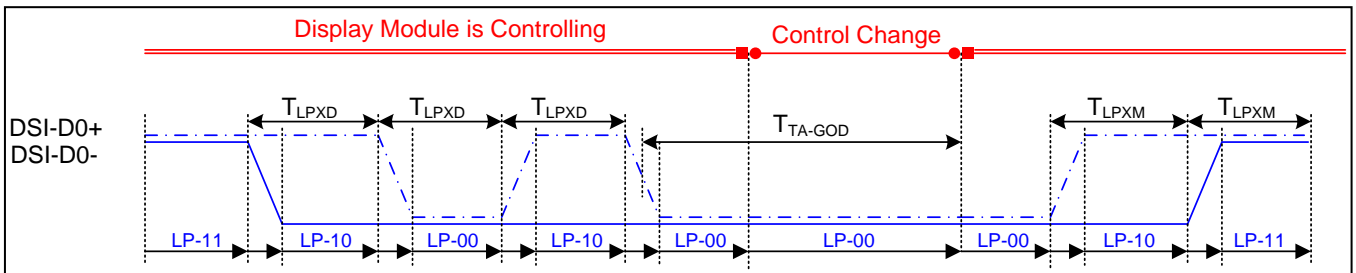


Figure 7 Bus Turnaround (BTA) from MPU to display module Timing

VDDI=1.8, VDD=2.8, AGND=DGND=0V, Ta=25 °C

Signal	Symbol	Parameter	MIN	MAX	Unit	Description
DSI-D0+/-	TLPXM	Length of LP-00,LP-01, LP-10 or LP-11 periods MPU→Display Module	50	75	ns	Input
DSI-D0+/-	TLPXD	Length of LP-00,LP-01, LP-10 or LP-11 periods MPU→Display Module	50	75	ns	Output
DSI-D0+/-	TTA-SURED	Time-out before the MPU start driving	T_{LPXD}	$2 \times T_{LPXD}$	ns	Output
DSI-D0+/-	TTA-GETD	Time to drive LP-00 by display module		$5 \times T_{LPXD}$	ns	Input
DSI-D0+/-	TTA-GOD	Time to drive LP-00 after turnaround request-MPU		$4 \times T_{LPXD}$	ns	Output

Table 8 Mipi Interface Low Power Mode Timing Characteristics

7.5.4.3 DSI Bursts Mode

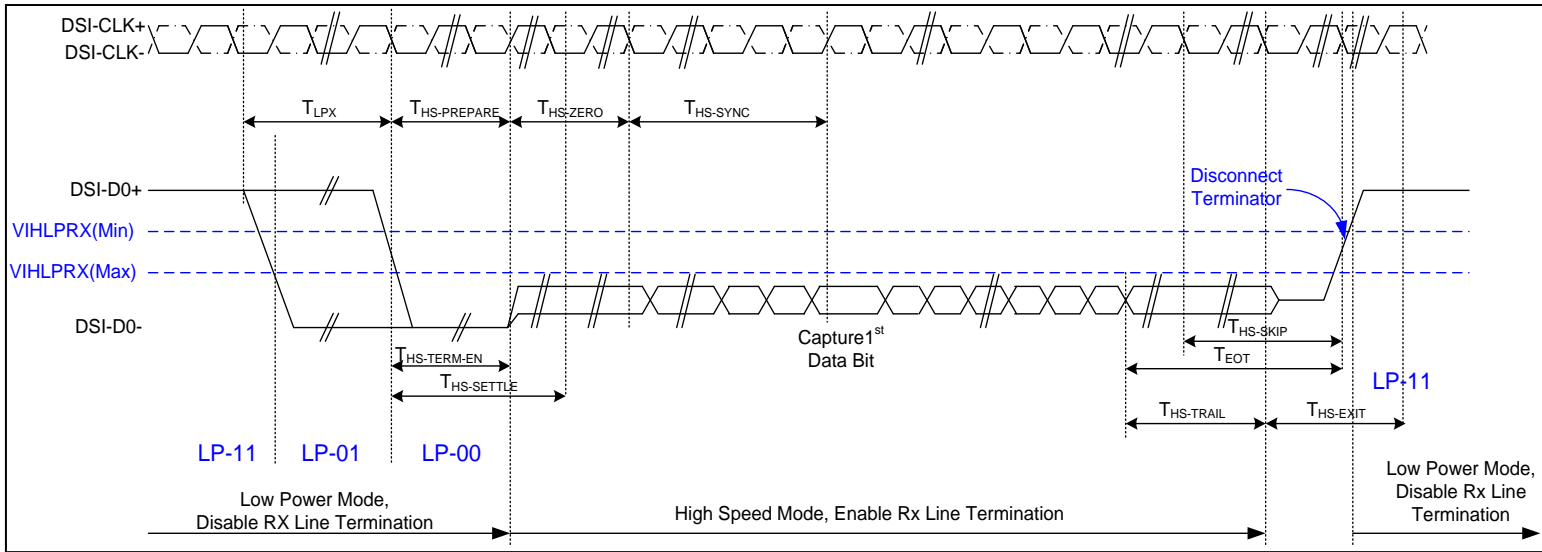


Figure 7 Data lanes-Low Power Mode to/from High Speed Mode Timing

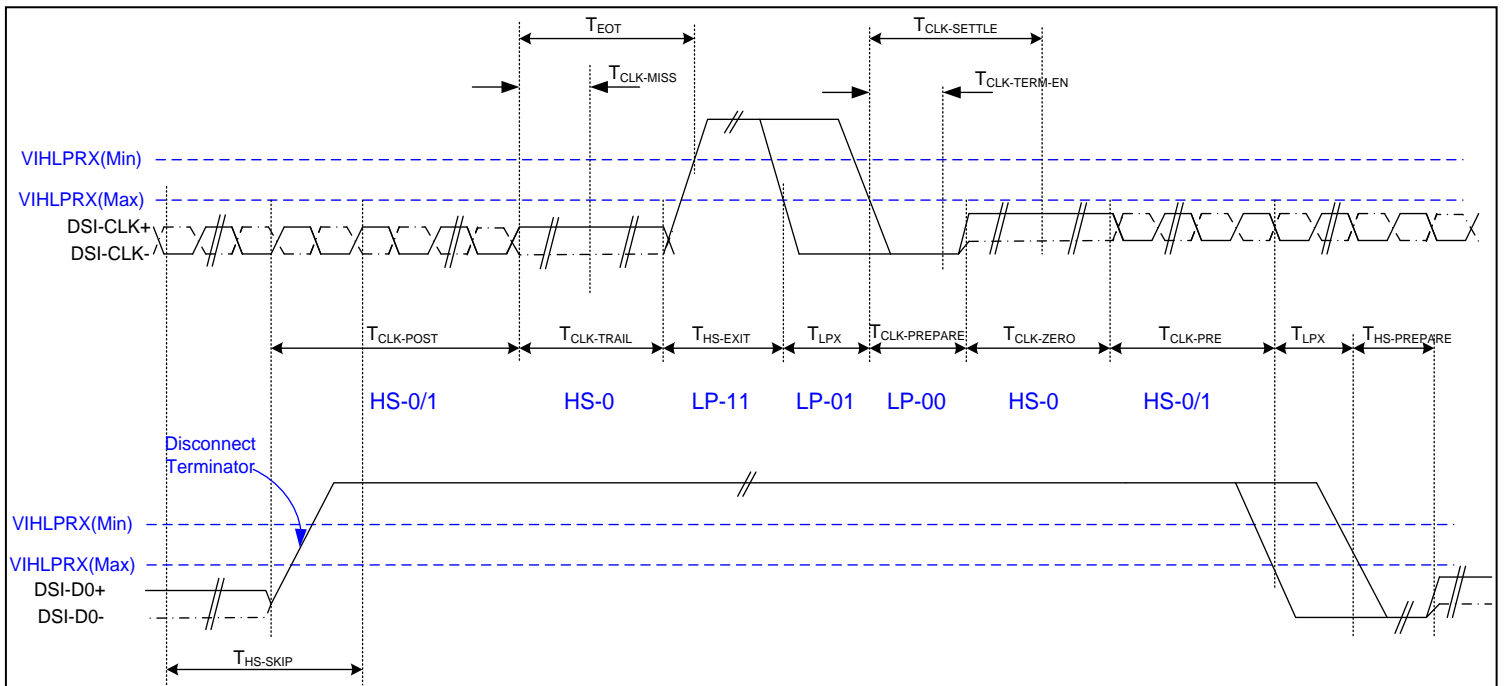


Figure 8 Clock lanes- High Speed Mode to/from Low Power Mode Timing

Signal	Symbol	Parameter	MIN	MAX	Unit	Description
Low Power Mode to High Speed Mode Timing						
DSI-Dn+/-	TLPX	Length of any low power state period	50	-	ns	Input
DSI-Dn+/-	THS-PREPARE	Time to drive LP-00 to prepare for HS transmission	40+4 UI	85+6 UI	ns	Input
DSI-Dn+/-	THS-TERM-EN	Time to enable data receiver line termination measured from when Dn crosses VILMAX	-	35+4 UI	ns	Input
DSI-Dn+/-	THS-PREPARE + THS-ZERO	THS-PREPARE + time to drive HS-0 before the sync sequence	140+ 10UI	-	ns	Input
High Speed Mode to Low Power Mode Timing						
DSI-Dn+/-	THS-SKIP	Time-out at display module to ignore transition period of EoT	40	55+4 UI	ns	Input
DSI-Dn+/-	THS-EXIT	Time to drive LP-11 after HS burst	100	-	ns	Input
DSI-Dn+/-	THS-TRAIL	Time to drive flipped differential state after last payload data bit of a HS transmission burst	60+4 UI	-	ns	Input
High Speed Mode to/from Low Power Mode Timing						
DSI-CLK+/-	TCLK-POS	Time that the MPU shall continue sending HS clock after the last associated data lane has transition to LP mode	60+5 2UI	-	ns	Input
DSI-CLK+/-	TCLK-TRAIL	Time to drive HS differential state after last payload clock bit of a HS transmission burst	60	-	ns	Input
DSI-CLK+/-	THS-EXIT	Time to drive LP-11 after HS burst	100	-	ns	Input
DSI-CLK+/-	TCLK-PREPARE	Time to drive LP-00 to prepare for HS transmission	38	95	ns	Input
DSI-CLK+/-	TCLK-TERM-EN	Time-out at clock lan display module to enable HS transmission	--	38	ns	Input
DSI-CLK+/-	TCLK-PREPARE + TCLK-ZERO	Minimum lead HS-0 drive period before starting clock	300	-	ns	Input
DSI-CLK+/-	TCLK-PRE	Time that the HS clock shall be driven prior to any associated data lane beginning the transition from LP to HS mode	8UI	-	ns	Input
DSI-CLK+/-	TEOT	Time form start of TCLK-TRAIL period to start of LP-11 state	-	105n s+12 UI	ns	Input

7.5.5 Reset Timing:

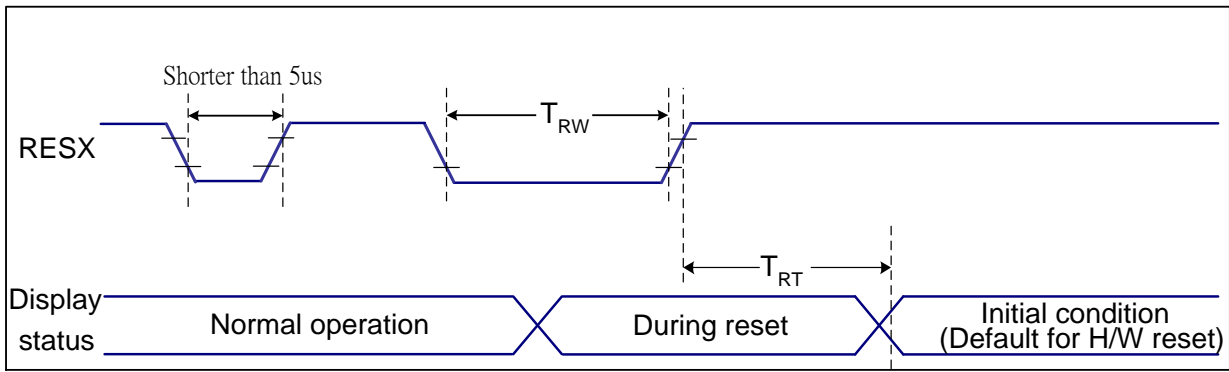


Figure 9 Reset Timing

VDDI=1.8, VDD=2.8, AGND=DGND=0V, Ta=25 °C

Related Pins	Symbol	Parameter	MIN	MAX	Unit
RESX	TRW	Reset pulse duration	10	-	us
	TRT	Reset cancel	-	5 (Note 1, 5)	ms
				120 (Note 1, 6, 7)	ms

Table 9 Reset Timing

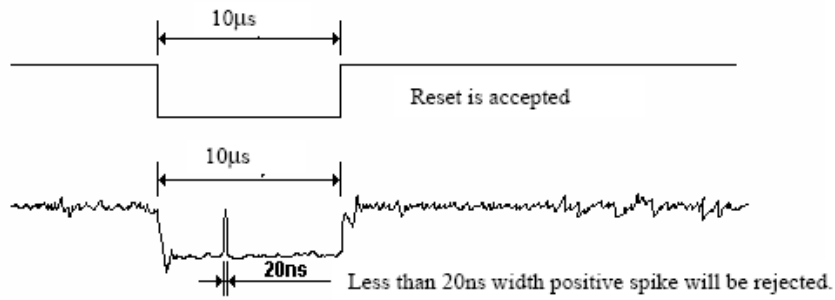
Notes:

1. The reset cancel includes also required time for loading ID bytes, VCOM setting and other settings from NVM (or similar device) to registers. This loading is done every time when there is HW reset cancel time (t_{RT}) within 5 ms after a rising edge of RESX.
2. Spike due to an electrostatic discharge on RESX line does not cause irregular system reset according to the table below:

RESX Pulse	Action
Shorter than 5us	Reset Rejected
Longer than 9us	Reset
Between 5us and 9us	Reset starts

3. During the Resetting period, the display will be blanked (The display is entering blanking sequence, which maximum time is 120 ms, when Reset Starts in Sleep Out –mode. The display remains the blank state in Sleep In –mode.) and then return to Default condition for Hardware Reset.

4. Spike Rejection also applies during a valid reset pulse as shown below:



5. When Reset applied during Sleep In Mode.

6. When Reset applied during Sleep Out Mode.

7. It is necessary to wait 5msec after releasing RESX before sending commands. Also Sleep Out command cannot be sent for 120msec.

8 FUNCTION DESCRIPTION

8.1 System Interface

ST7701SN supports RGB serial interfaces , and MIPI serial interfaces. Selection of these interfaces are set by IM[3:0] pins as shown below.

IM3	IM2	IM1	IM0	Interface	Data pins
0	0	0	1	RGB+8b_SPI(fall)	D[0~23]
	0	1	0	RGB+9b_SPI(fall)	D[0~23]
	0	1	1	RGB+16b_SPI(rise)	D[0~23]
	1	0	1	MIPI	HSSI_D1_P/N,HSSI_D0_P/N
	1	1	0	MIPI+16b_SPI(rise)	HSSI_D1_P/N,HSSI_D0_P/N
1	0	0	1	RGB+8b_SPI(rise)	D[0~23]
	0	1	0	RGB+9b_SPI(rise)	D[0~23]
	0	1	1	RGB+16b_SPI(fall)	D[0~23]
	1	0	1	MIPI	HSSI_D1_P/N,HSSI_D0_P/N
	1	1	0	MIPI+16b_SPI(fall)	HSSI_D1_P/N,HSSI_D0_P/N

Table 10 Interface Type Selection

8.2 Serial Interface (only Command)

The serial interface is either 3-lines/9-bits,16-bits or 4-lines/8-bits interface for communication between the micro controller and the LCD driver. The 3-lines serial interface use: CSX (chip enable), SCL (serial clock) and SDA (serial data input/output), and the 4-lines serial interface use: CSX (chip enable), D/CX (data/ command flag), SCL (serial clock) and SDA (serial data input/output). Serial clock (SCL) is used for interface with MCU only, so it can be stopped when no communication is necessary.

Pin description

3-line serial interface (9 bits)

Pin Name	Description
CSX	Chip selection signal
SCL	Serial input CLK
SDA	Serial input data
SDO	Serial output data

4-line serial interface (8 bits)

Pin Name	Description
CSX	Chip selection signal
DCX	Data is regarded as a command when SCL is low Data is regarded as a parameter or data when SCL is high
SCL	Clock signal
SDA	Serial input data
SDO	Serial output data

8.2.1 Serial Interface (SPI)

8.2.1.1 Command write mode

The write mode of the interface means the micro controller writes commands and data to the LCD driver. 3-lines serial data packet contains a control bit D/CX and a transmission byte. In 4-lines serial interface, data packet contains just transmission byte and control bit D/CX is transferred by the D/CX pin. If D/CX is “low”, the transmission byte is interpreted as a command byte. If D/CX is “high”, the transmission byte is command register as parameter.

Any instruction can be sent in any order to the driver. The MSB is transmitted first. The serial interface is initialized when CSX is high. In this state, SCL clock pulse or SDA data have no effect. A falling edge on CSX enables the serial interface and indicates the start of data transmission.

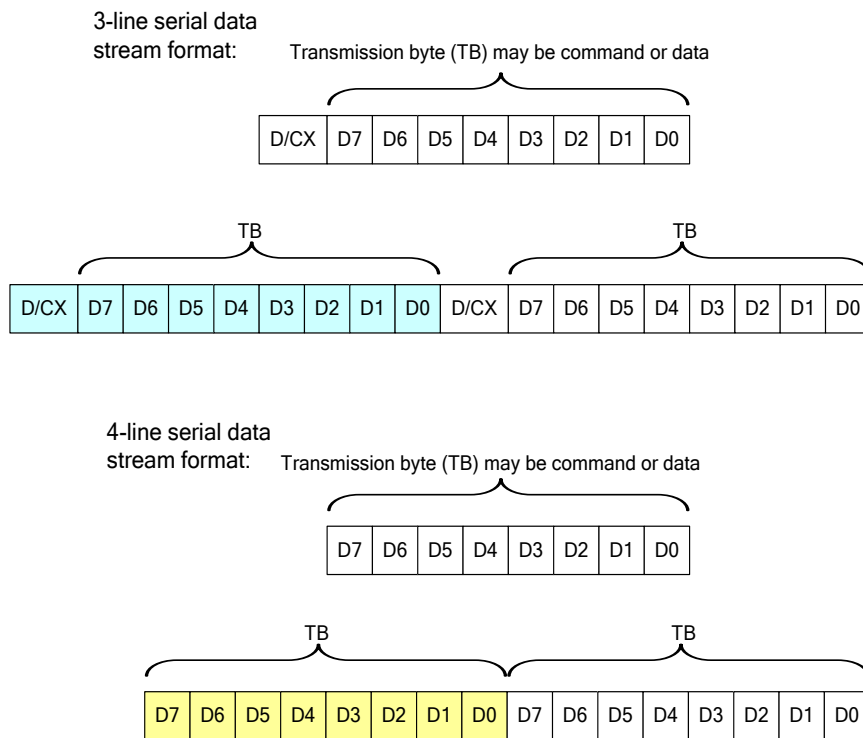


Figure 10 Serial interface data stream format

When CSX is “high”, SCL clock is ignored. During the high period of CSX the serial interface is initialized. At the falling edge of CSX, SCL can be high or low. SDA is sampled at the rising edge of SCL. D/CX indicates whether the byte is command (D/CX=’0’) or parameter data (D/CX=’1’). D/CX is sampled when first rising edge of SCL (3-line serial interface) or 8th rising edge of SCL (4-line serial interface). If CSX stays low after the last bit of command/data byte, the serial interface expects the D/CX bit (3-line serial interface) or D7 (4-line serial interface) of the next byte at the next rising edge of SCL..

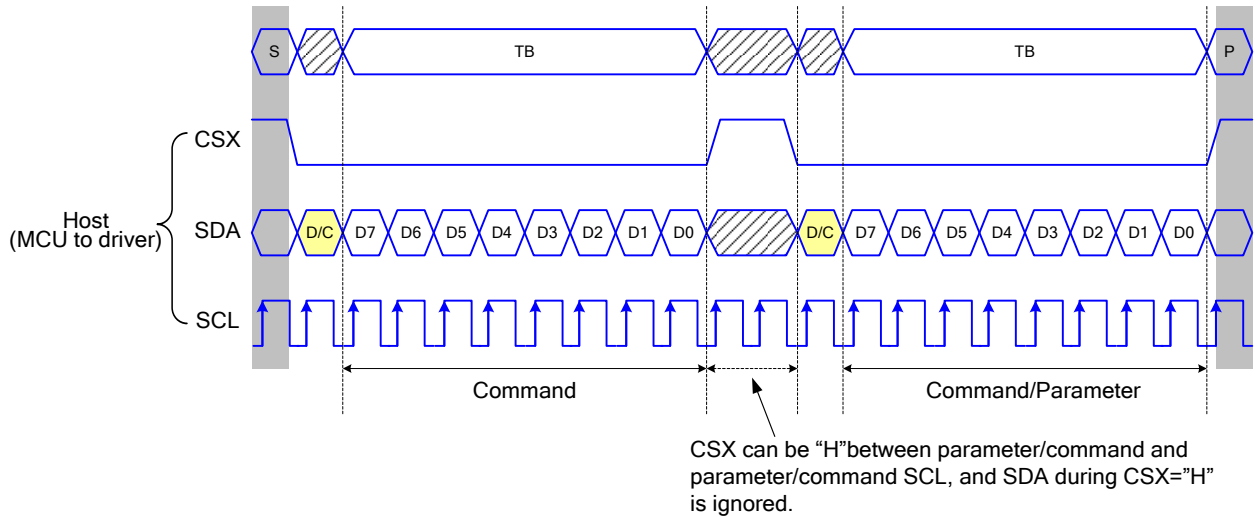


Figure 11 3-line serial interface write protocol (write to register with control bit in transmission)

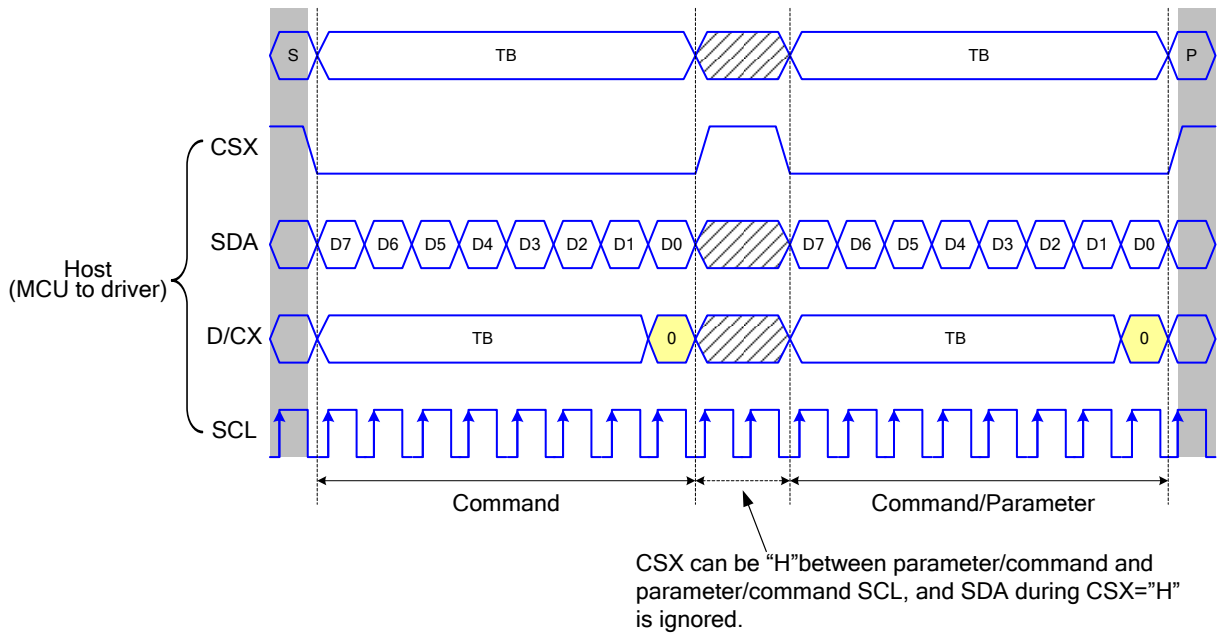


Figure 12 4-line serial interface write protocol (write to register with control bit in transmission)

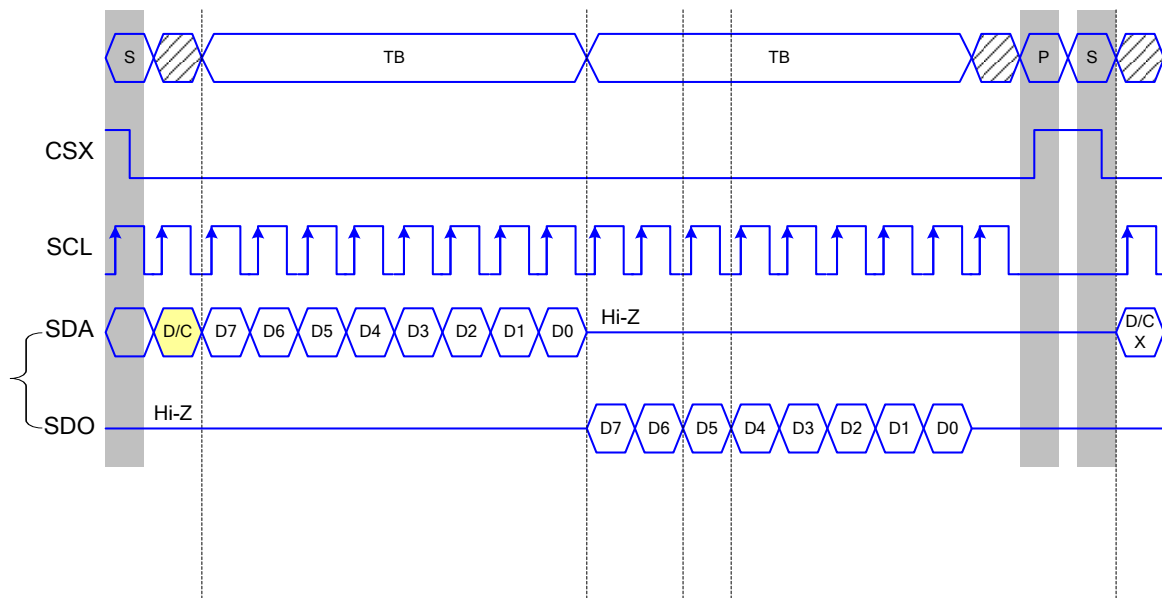
8.2.2 Read function

The read mode of the interface means that the micro controller reads register value from the driver. To achieve read function, the micro controller first has to send a command (read ID or register command) and then the following byte is transmitted in the opposite direction. After that CSX is required to go to high before a new command is send (see the below figure). The driver samples the SDA (input data) at rising edge of SCL, but shifts SDA (output data) at the falling edge of SCL. Thus the micro controller is supported to read at the rising edge of SCL.

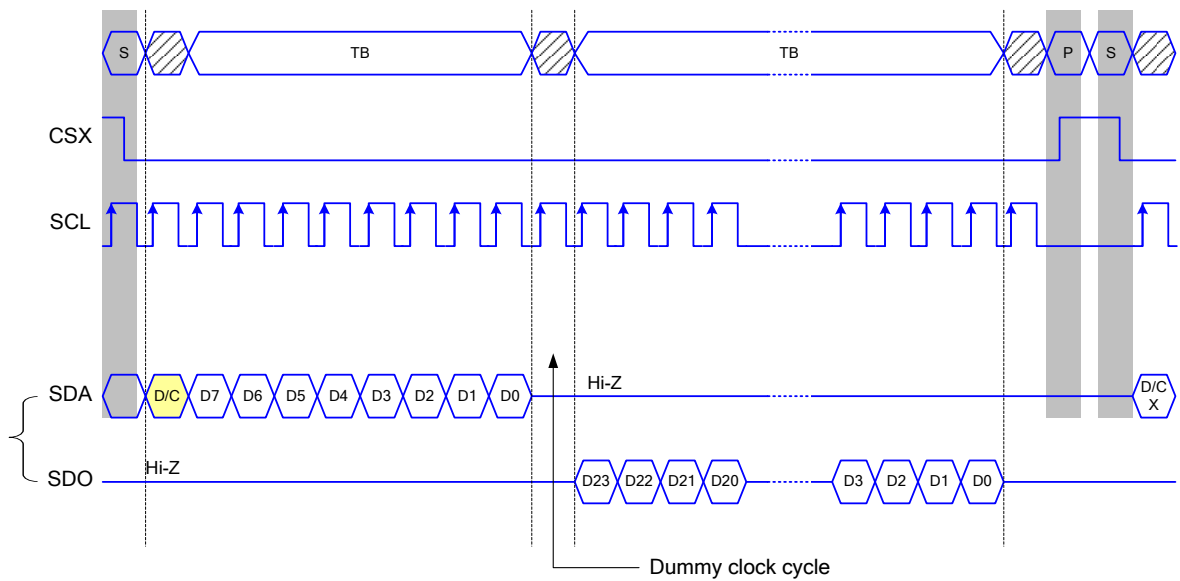
After the read status command has been sent, the SDA line must be set to tri-state no later than at the falling edge of SCL of the last bit.

3-line serial interface protocol

3-line serial protocol (for RDID1/RDID2/RDID3/0Ah/0Bh/0Ch/0Dh/0Eh/0Fh command: 8-bit read):



3-line serial protocol (for RDDID command: 24-bit read)



3-line Serial Protocol (for RDDST command: 32-bit read)

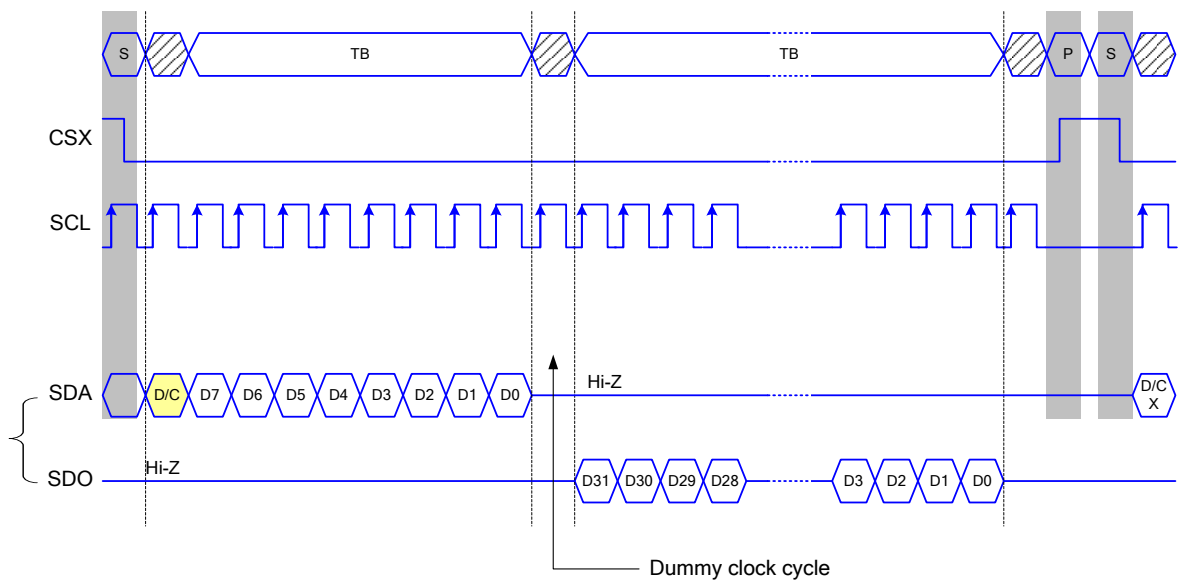
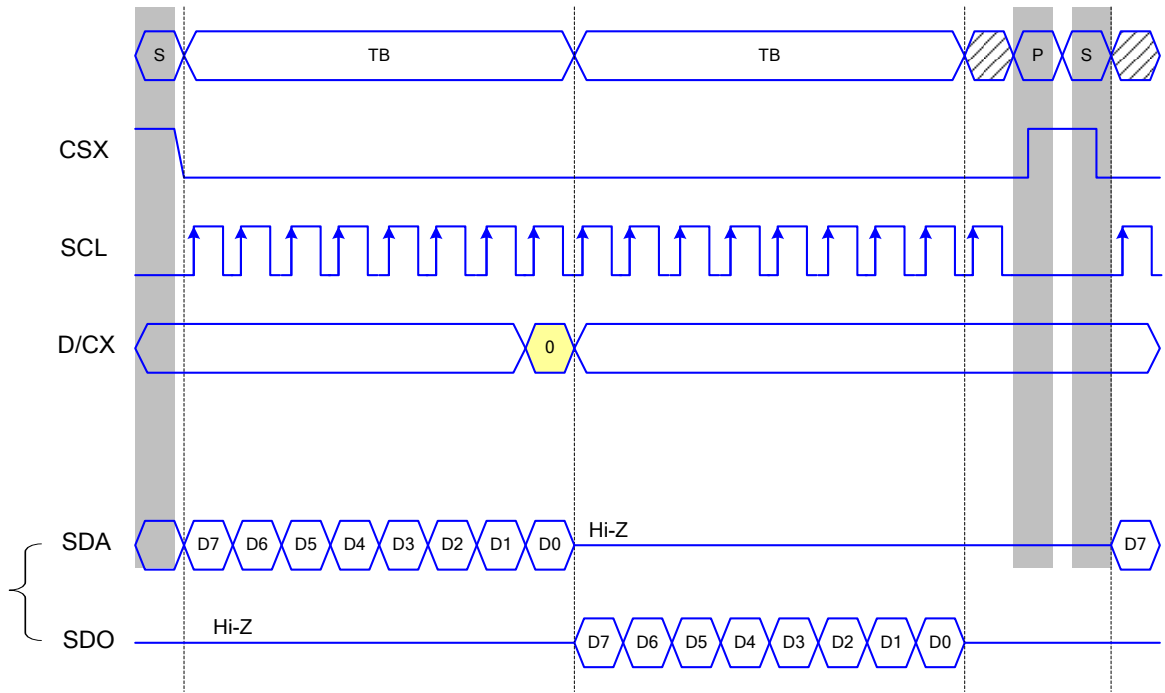


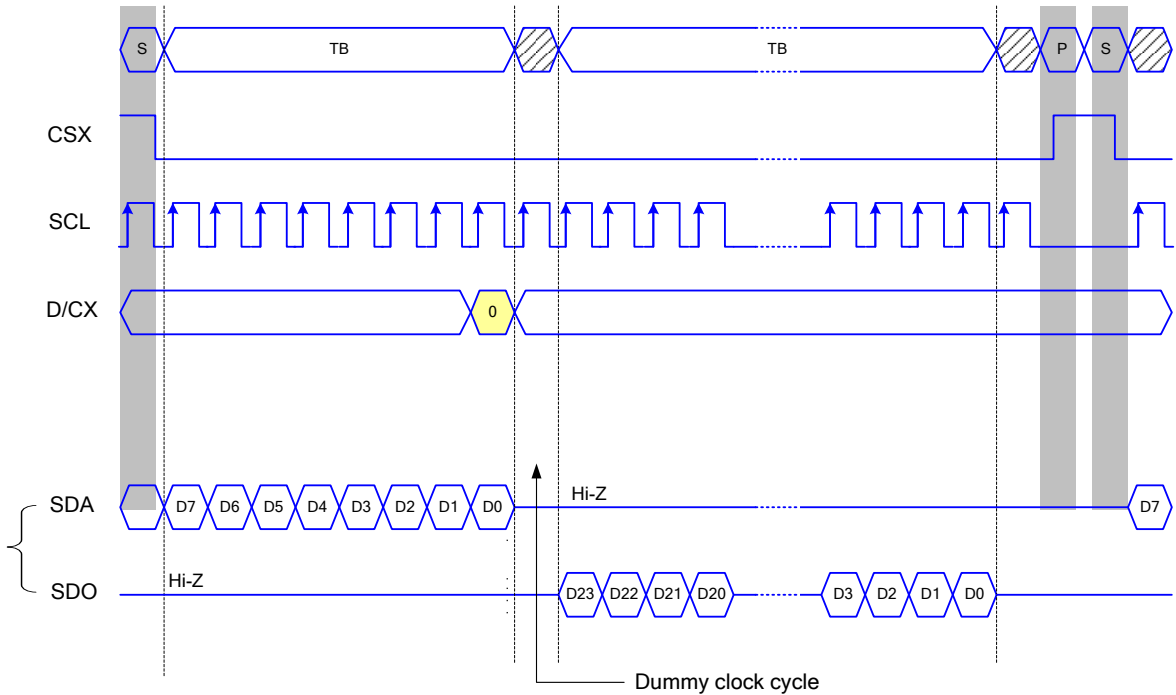
Figure 13 3-line serial interface read protocol

4-line serial protocol

4-line serial protocol (for RDID1/RDID2/RDID3/0Ah/0Bh/0Ch/0Dh/0Eh/0Fh command: 8-bit read):



4-line serial protocol (for RDDID command: 24-bit read)



4-line Serial Protocol (for RDDST command: 32-bit read)

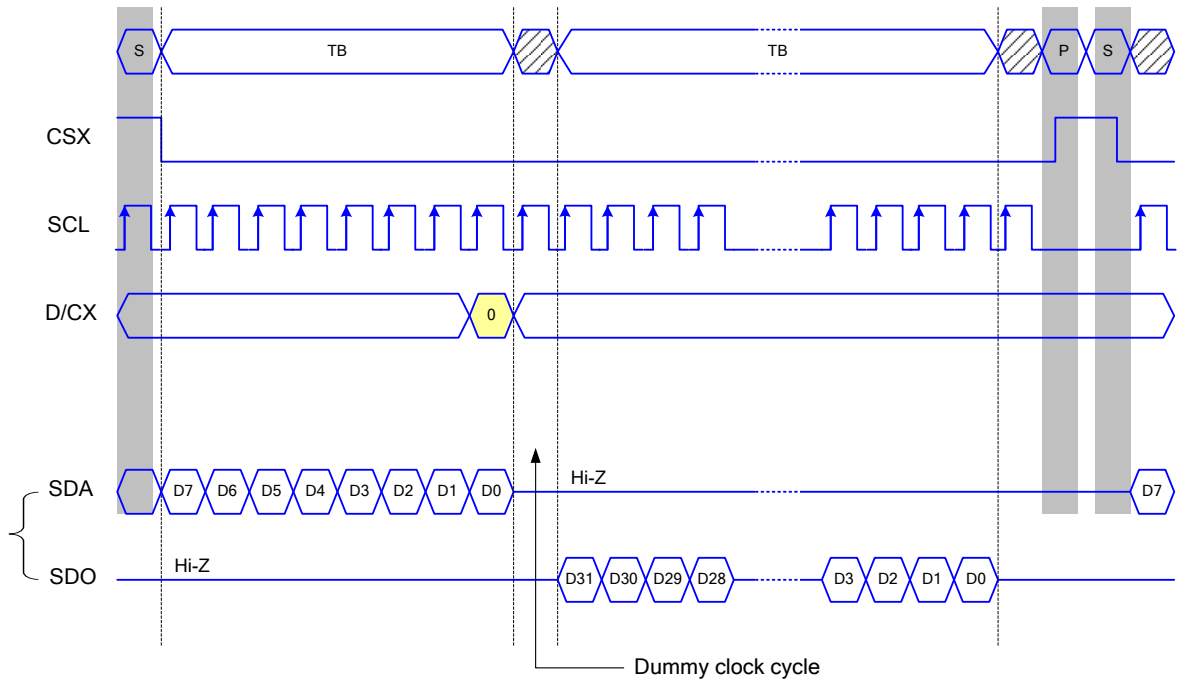


Figure 14 4-line serial interface read protocol

8.3 16 bit Serial Interface**8.3.1 Write Mode**

The write mode of the interface means the micro controller writes commands and data to the ST7701SN. The serial interface is initialized when CSX is high. In this state, SCL clock pulse or SDI data have no effect. A falling edge on CSX enables the serial interface and indicates the start of data transmission.

When CSX is high, SCL clock is ignored. During the high time of CSX the serial interface is initialized. At the falling CSX edge, SCL can be high or low. SDI/SDO are sampled at the rising edge of SCL. R/W indicates, whether the byte is read command (R/W = '1') or write command (R/W = '0'). It is sampled when first rising SCL edge. If CSX stays low after the last bit of command/data byte, the serial interface expects the R/W bit of the next byte at the next rising edge of SCL.

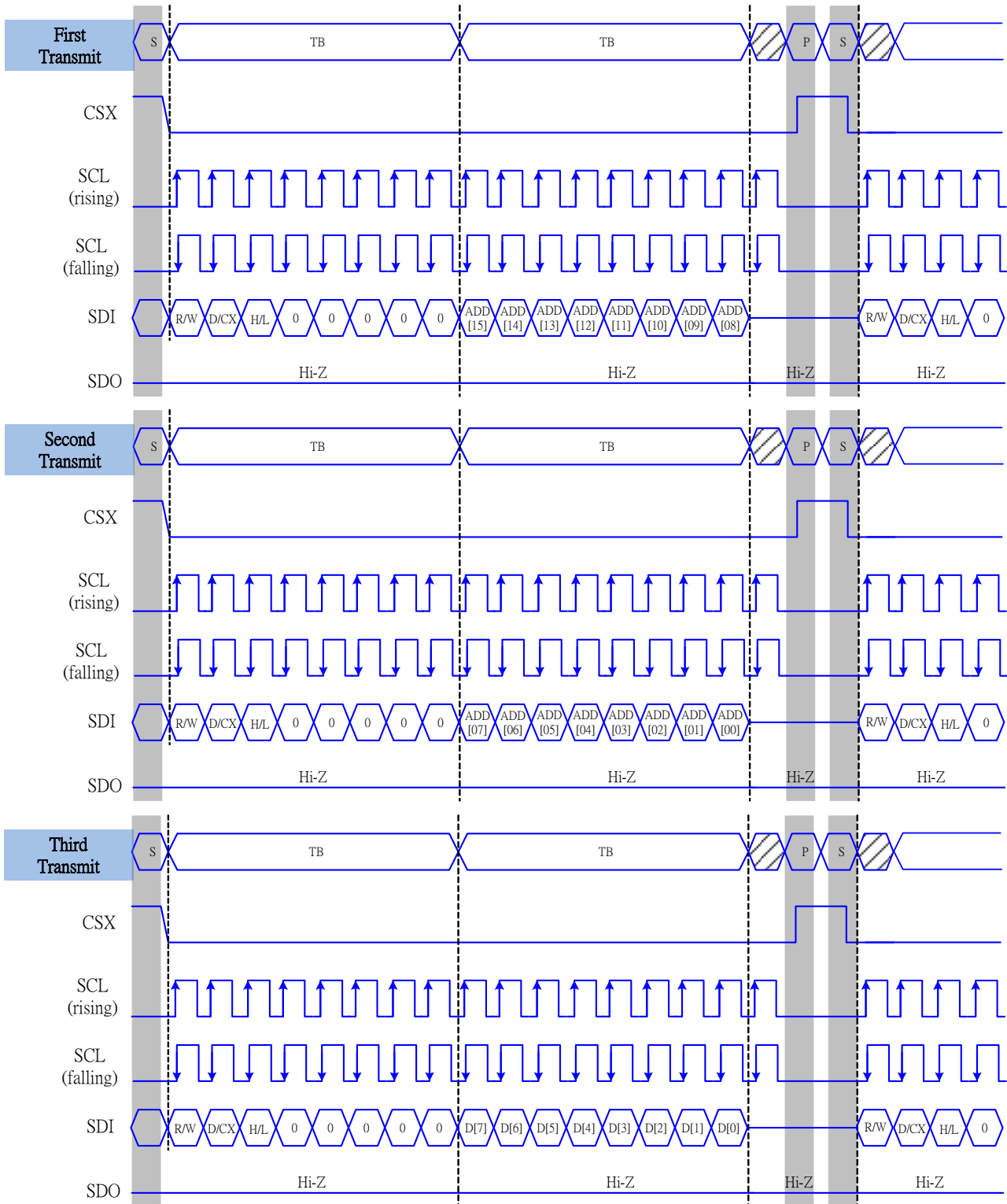


Figure 15 serial 16 bit interface write mode

8.3.2 Read Mode

The read mode of the interface means that the micro controller reads register value from the ST7701SN. To do so the micro controller first has to send a command and then the following byte is transmitted in the opposite direction. After that CSX is required to go high before a new command is send. The ST7701SN samples the SDI (input data) at the rising edges, but shifts SDO (output data) at the falling SCL edges. Thus the micro controller is supported to read data at the rising SCL edges. After the read status command has been sent, the SDI line must be set to tri-state no later than at the falling SCL edge of the last bit. It doesn't need any dummy clock when execute the command data read.

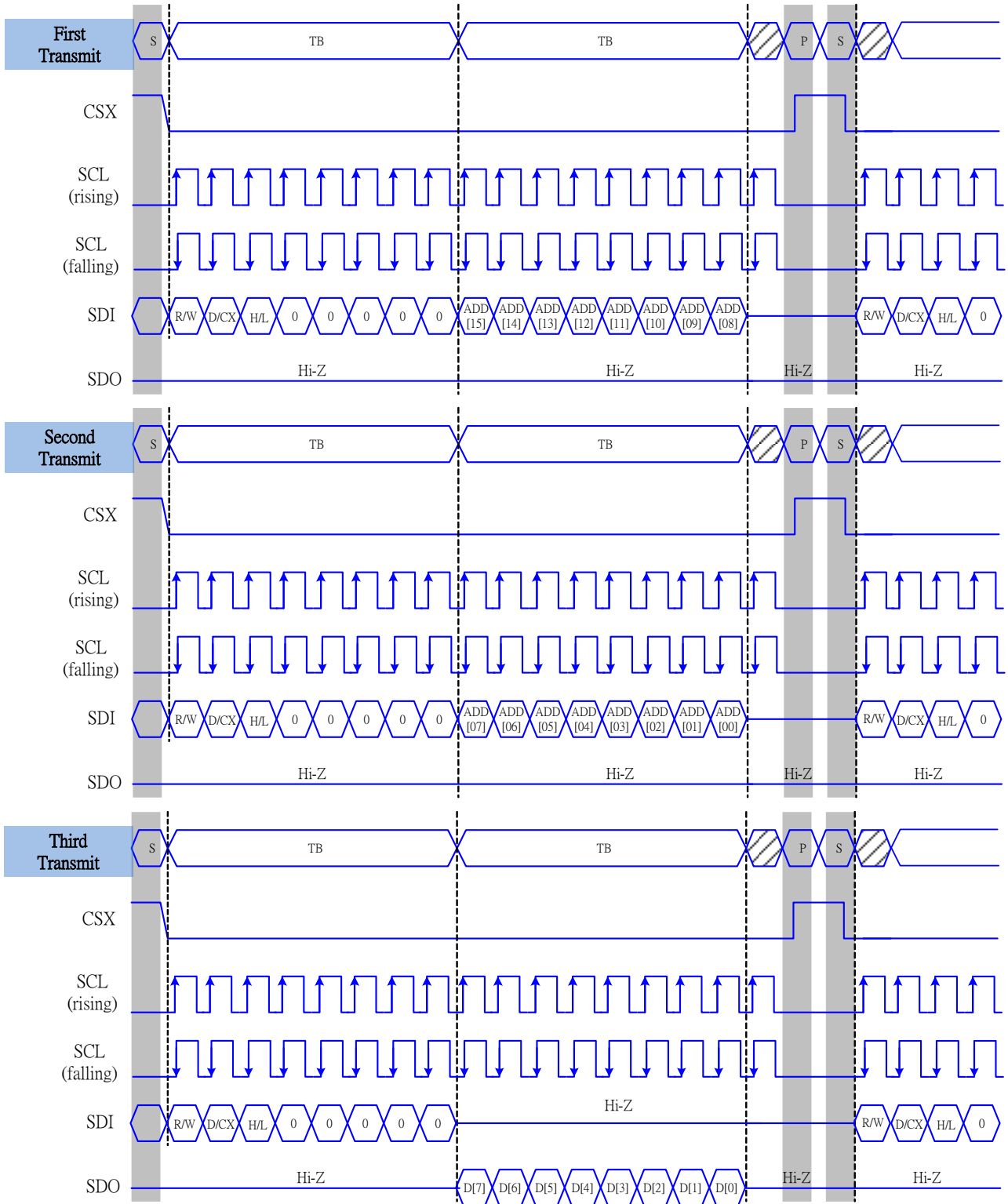


Figure 16 serial 16 bit interface read mode

8.4 Data Transfer Break and Recovery

If there is a break in data transmission by RESX pulse, while transferring a command or frame memory data or multiple parameter command data, before Bit D0 of the byte has been completed, then driver will reject the previous bits and have reset the interface such that it will be ready to receive command data again when the chip select line (CSX) is next activated after RESX have been HIGH state.

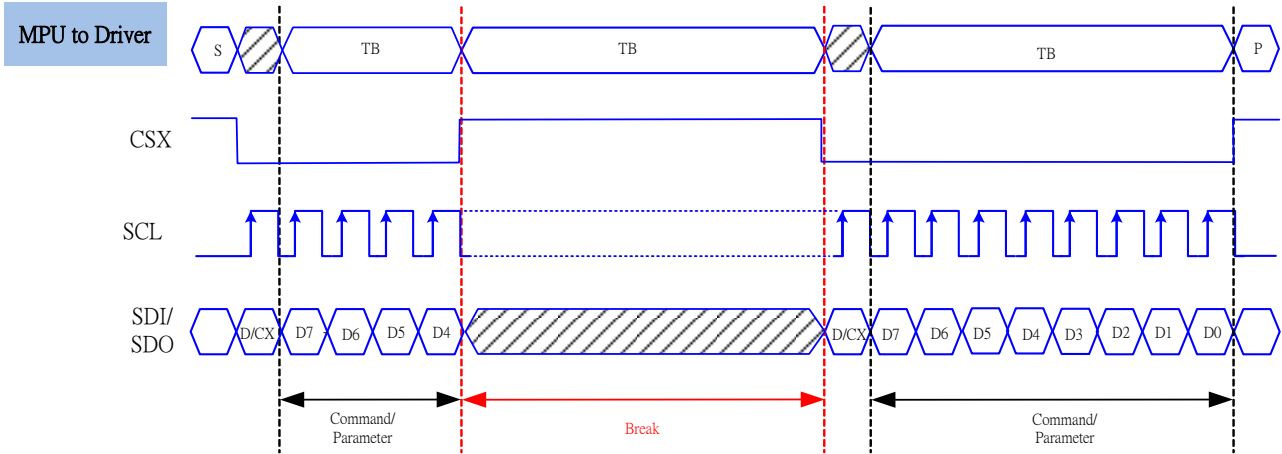


Figure 17 Data Transfer Break and Recovery.

If there is a break in data transmission by CSX pulse, while transferring a command or frame memory data or multiple parameter command data, before Bit D0 of the byte has been completed, then driver will reject the previous bits and have reset the interface such that it will be ready to receive the same byte re-transmitted when the chip select line (CSX) is next activated.

If 1, 2 or more parameter commands are being sent and a break occurs while sending any parameter before the last one and if the host then sends a new command rather than re-transmitting the parameter that was interrupted, then the parameters that were successfully sent are stored and the parameter where the break occurred is rejected. The interface is ready to receive next byte as shown below.

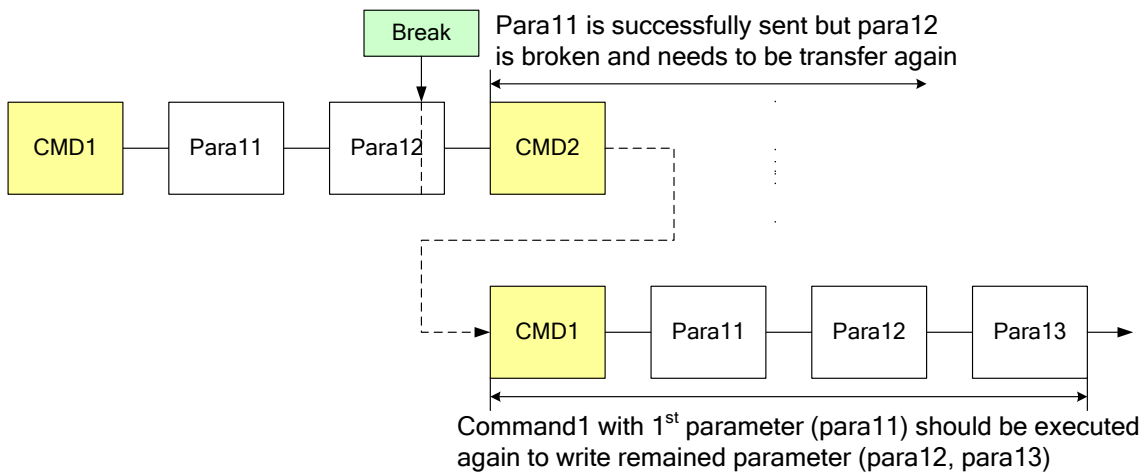


Figure 18 Write interrupts recovery

If a 2 or more parameter commands are being sent and a break occurs by the other command before the last one is sent, then the parameters that were successfully sent are stored and the other parameter of that command remains previous value.

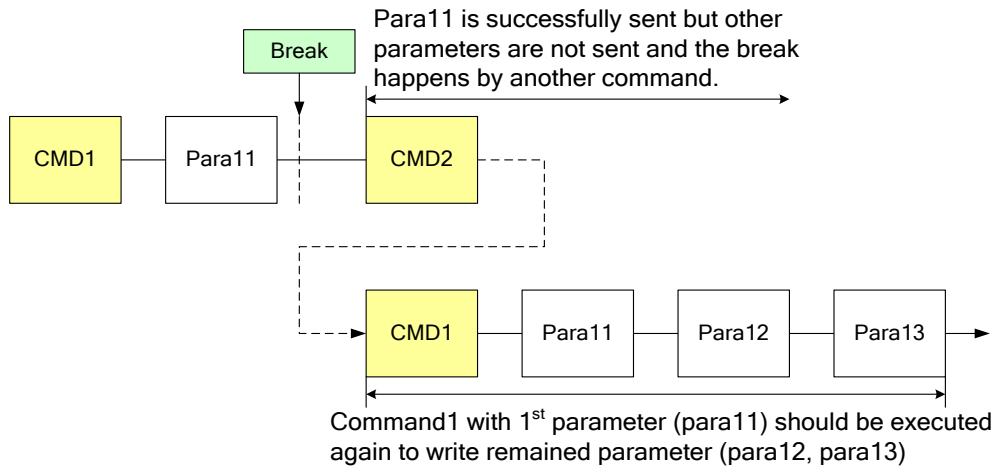


Figure 19 Write interrupts recovery

8.5 Data Transfer Pause

Transferring a Command, Frame Memory Data, or Multiple Parameter Data might invoke a pause in the data transmission. If the Chip Select pin (CSX) is released after a whole byte of a Frame Memory Data or Multiple Parameter Data has been completed, then the ST7701SN will wait and continue the Frame Memory Data or Parameter Data Transmission from the point where it was paused. If the Chip Select pin is released after a whole byte of a command has been completely transmitted, then the display module will receive either the command's parameters or a new command when the Chip Select Line is enabled again, as shown below.

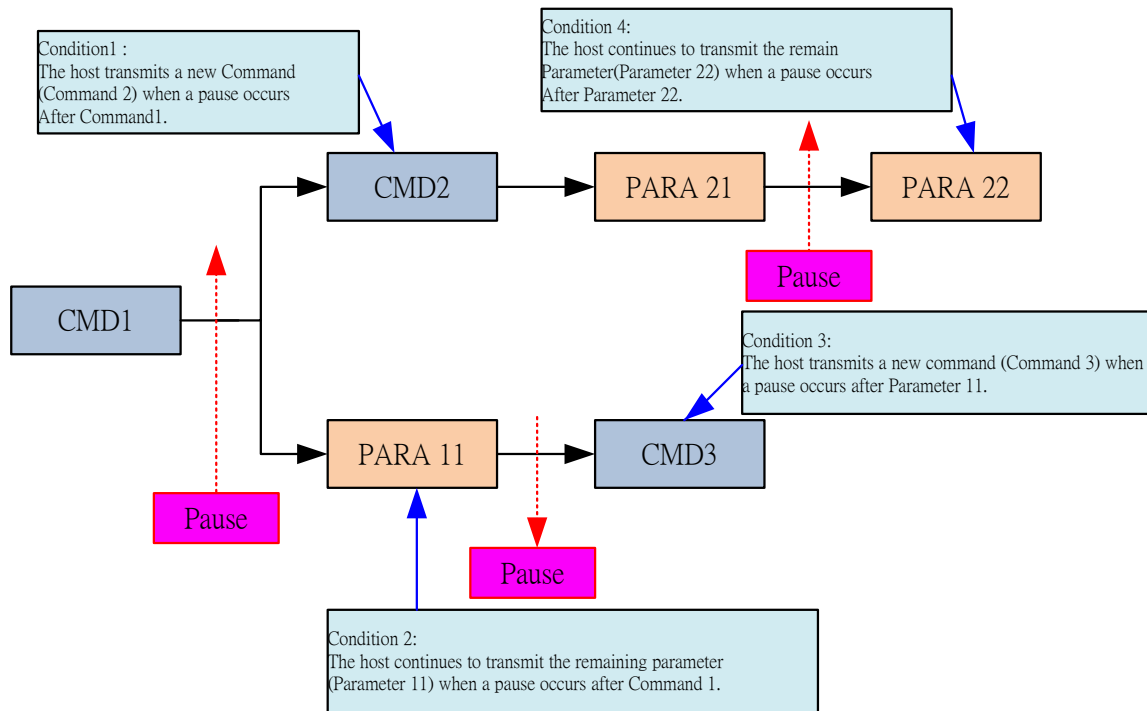


Figure 20 Data Transfer Pause

8.5.1 SPI interface pause

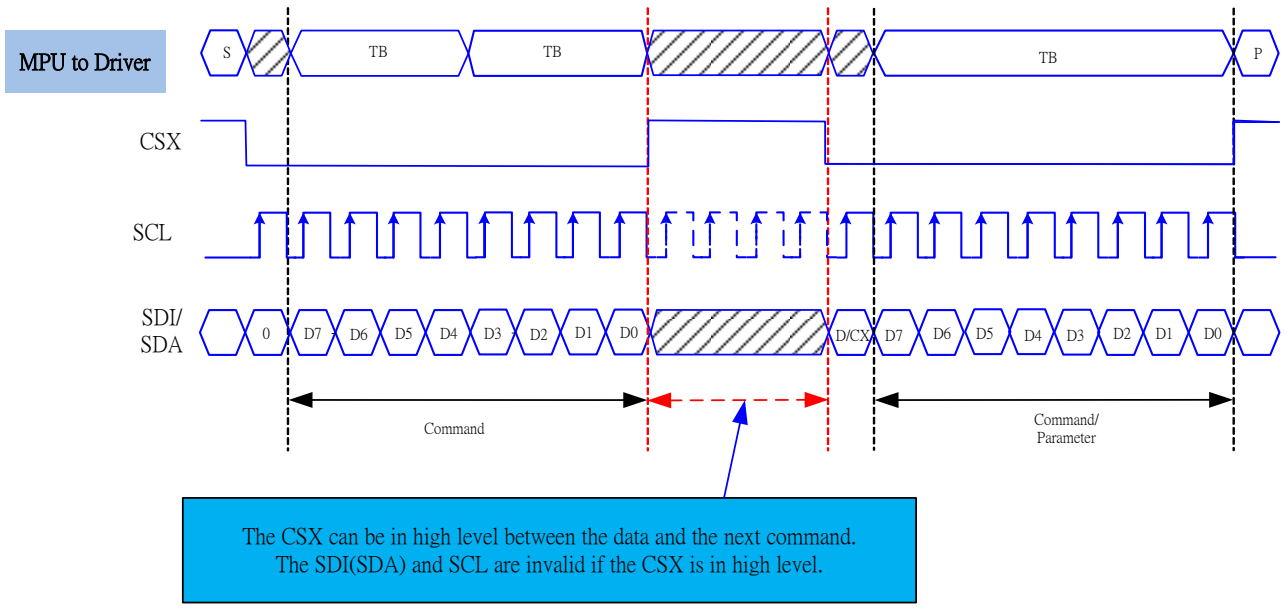


Figure 21 Serial Data Transfer Pause

This applies to the following 4 conditions:

- 1) Command-Pause-Command
- 2) Command-Pause-Parameter
- 3) Parameter-Pause-Command
- 4) Parameter-Pause-Parameter

8.6 RGB Interface

The ST7701SN support RGB interface Mode 1 and Mode 2. The interface signals as shown in table 6.3.1.

The Mode 1 and Mode 2 function is select by setting in the Command 2, please reference application note.

In RGB Mode 1, writing data to line buffer is done by PCLK and Video Data Bus (D[23:0]), when DE is high state.

The external clocks (PCLK, VS and HS) are used for internal displaying clock. So, controller must always transfer PCLK, VS and HS signal to ST7701SN.

In RGB Mode 2, back porch of Vsync is defined by VBP_HVRGB [7:0] of RGBCTR command. And back porch of Hsync is defined by HBP_HVRGB [7:0] of RGBCTR command. Front porch of Vsync are not setting by this mode.

RGB I/F Mode	PCLK	DE	VS	HS	DB[23:0]	Register for Blanking Porch setting
RGB Mode 1	Used	Used	Used	Used	Used	Not Used
RGB Mode 2	Used	Not Used	Used	Used	Used	Used

Symbol	Name	Description
PCLK	Pixel clock	Pixel clock for capturing pixels at display interface
HS	Horizontal sync	Horizontal synchronization timing signal
VS	Vertical sync	Vertical synchronization timing signal
DE	Data enable	Data enable signal (assertion indicates valid pixels)
DB[23:0]	Pixel data	Pixel data in 16-bit,18-bit and 24-bit format

Table 11 The interface signals of RGB interface

8.6.1 RGB Color Format

ST7701SN supports two kinds of RGB interface, DE mode (mode 1) and HV mode (mode 2), and 16bit/18bit and 24 bit data format. When DE mode is selected and the VSYNC, HSYNC, DOTCLK, DE, D[23:0] pins can be used; when HV mode is selected and the VSYNC, HSYNC, DOTCLK, D[23:0] pins can be used. When using RGB interface, only serial interface can be selected.

Pad name	24 bits configuration VIPF[3:0]=0111	18 bits configuration VIPF[3:0]=0110		16 bits configuration VIPF[3:0]=0101
		MDT=0	MDT=1	
		DB[23]	R7	
DB[22]	R6	Not used	Not used	Not used
DB[21]	R5	R5	Not used	Not used
DB[20]	R4	R4	Not used	R4
DB[19]	R3	R3	Not used	R3
DB[18]	R2	R2	Not used	R2
DB[17]	R1	R1	R5	R1
DB[16]	R0	R0	R4	R0
DB[15]	G7	Not used	R3	Not used
DB[14]	G6	Not used	R2	Not used
DB[13]	G5	G5	R1	G5
DB[12]	G4	G4	R0	G4
DB[11]	G3	G3	G5	G3
DB[10]	G2	G2	G4	G2
DB[09]	G1	G1	G3	G1
DB[08]	G0	G0	G2	G0
DB[07]	B7	Not used	G1	Not used
DB[06]	B6	Not used	G0	Not used
DB[05]	B5	B5	B5	Not used
DB[04]	B4	B4	B4	B4
DB[03]	B3	B3	B3	B3
DB[02]	B2	B2	B2	B2
DB[01]	B1	B1	B1	B1
DB[00]	B0	B0	B0	B0

Table 12 The interface color mapping of RGB interface

8.6.2 RGB Interface Definition

The display operation via the RGB interface is synchronized with the VSYNC, HSYNC, and DOTCLK signals. The data can be written only within the specified area with low power consumption by using window address function. The back porch and front porch are used to set the RGB interface timing.

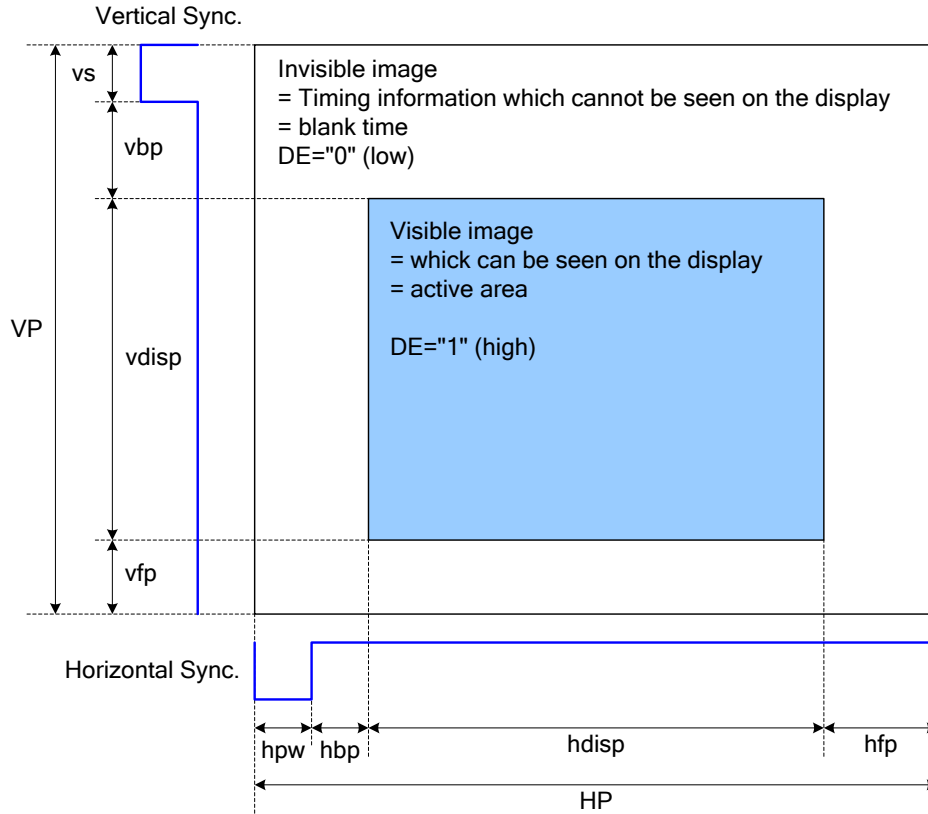


Figure 22 Access Area by RGB Interface

Please refer to the following table for the setting limitation of RGB interface signals.

Parameter	Symbol	Min.	Typ.	Max.	Unit
Horizontal Sync. Width	hpw	2	-	255 (Note 2)	Clock
Horizontal Sync. Back Porch	hbp	2	--	255 (Note 2)	Clock
Horizontal Sync. Front Porch	hfp	2	--	-	Clock
Vertical Sync. Width	vs	2	--	254 (Note 2)	Line
Vertical Sync. Back Porch	vbp	2	--	254 (Note 2)	Line
Vertical Sync. Front Porch	vfp	2	--	--	Line

Note:

1. Typical value are related to the setting frame rate is 60Hz..
2. $VS+VBP \leq 254$, $HPW+HBP \leq 255$

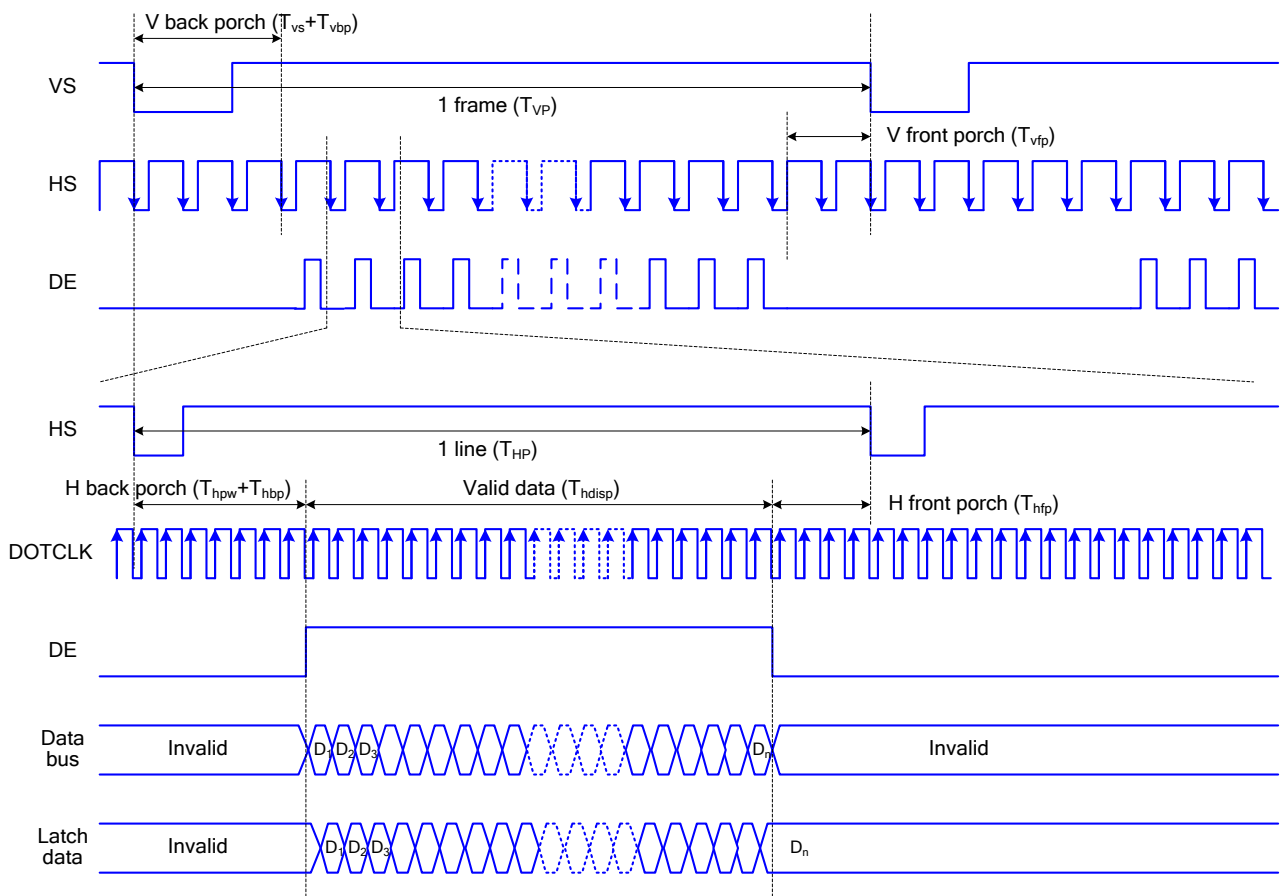
8.6.3 RGB Interface Mode Selection

ST7701SN supports two kinds of RGB interface, DE mode and HV mode. The table shown below uses command C3h to select RGB interface mode.

DE/Sync	RGB Mode
0	DE mode
1	HV mode

8.6.4 RGB Interface Timing

The timing chart of RGB interface DE mode is shown as follows.



Note: The setting of front porch and back porch in host must match that in IC as this mode.

Figure 23 Timing Chart of Signals in RGB Interface DE Mode

The timing chart of RGB interface HV mode is shown as follows.

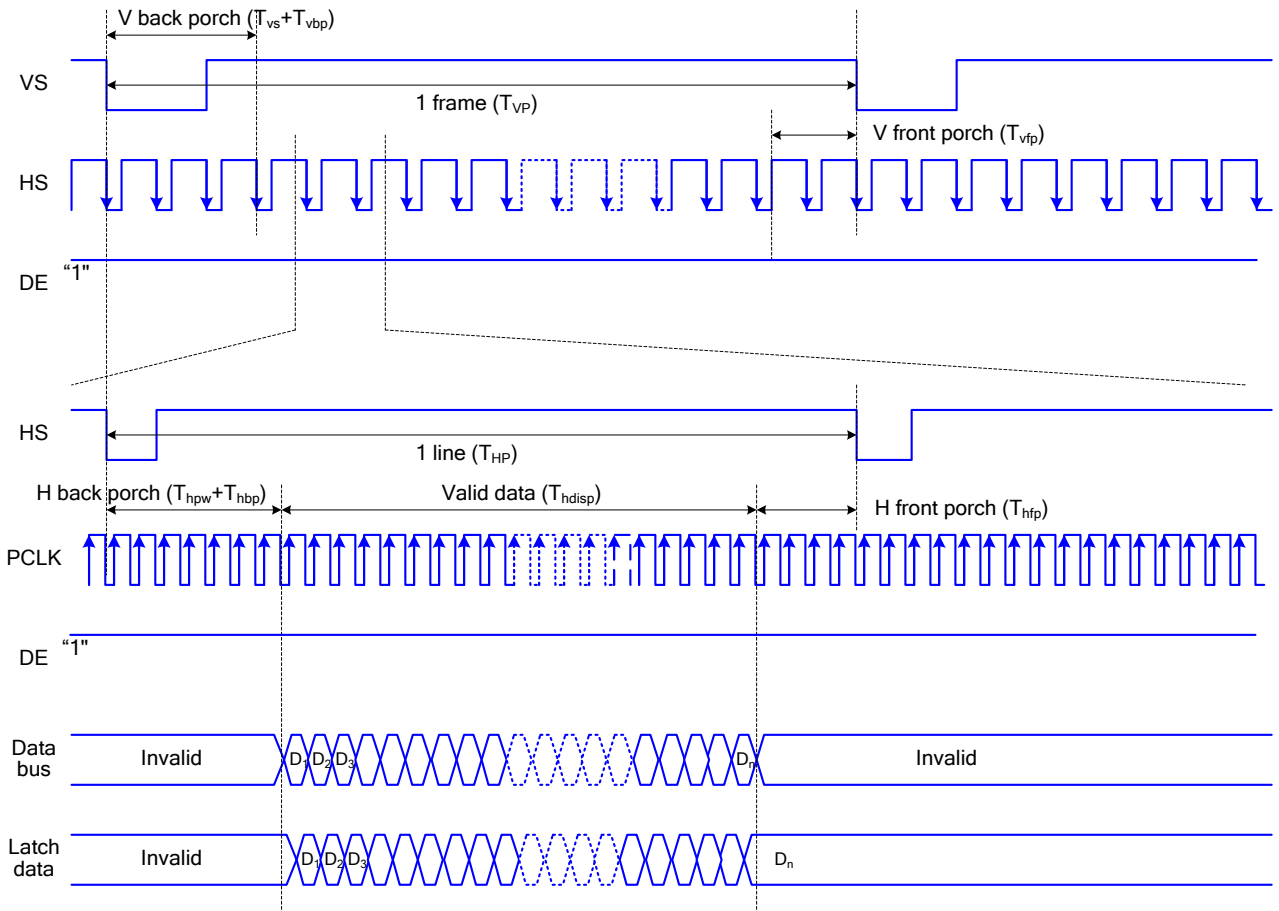


Figure 24 Timing chart of RGB interface HV mod

8.7 MIPI-DSI interface

The Display Serial Interface standard defines protocols between a host processor and peripheral devices that adhere to MIPI Alliance standards for mobile device interfaces. The DSI standard builds on existing standards by adopting pixel formats and command set defined in MIPI Alliance standards.

DSI-compliant peripherals support either of two basic modes of operation: Command Mode and Video Mode.

Which mode is used depends on the architecture and capabilities of the peripheral. The mode definitions reflect the primary intended use of DSI for display interconnect, but are not intended to restrict DSI from operating in other applications.

Typically, a peripheral is capable of Command Mode operation or Video Mode operation. Some Video Mode display modules also include a simplified form of Command Mode operation in which the display module may refresh its screen from a reduced-size, or partial, frame buffer, and the interface (DSI) to the host processor may be shut down to reduce power consumption.

Command Mode refers to operation in which transactions primarily take the form of sending commands to a peripheral, such as a display module, that incorporates a display controller. The display controller may include local registers and a frame buffer. Systems using Command Mode write to, and read from, the registers. The host processor indirectly controls activity at the peripheral by sending commands, parameters to the display controller. The host processor can also read display module status information. Command Mode operation requires a bidirectional interface.

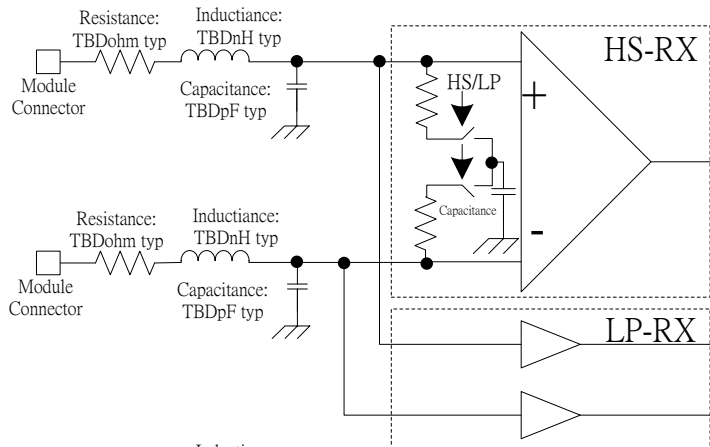
Video Mode refers to operation in which transfers from the host processor to the peripheral take the form of a real-time pixel stream. In normal operation, the display module relies on the host processor to provide image data at sufficient bandwidth to avoid flicker or other visible artifacts in the displayed image. Video information should only be transmitted using High Speed Mode. Some Video Mode architectures may include a simple timing controller and partial frame buffer, used to maintain a partial-screen or lower-resolution image in standby or Low Power Mode. This permits the interface to be shut down to reduce power consumption. To reduce complexity and cost, systems that only operate in Video Mode may use a unidirectional data path.

Configuration:

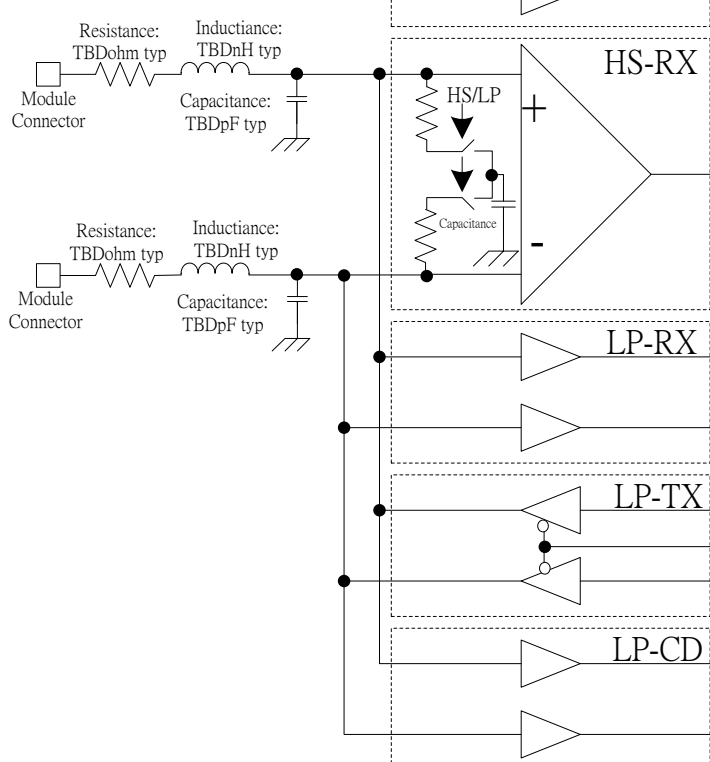
Lane Pair	MCU (Master) Display Module (Slave)
Clock Lane	Unidirectional Lane <ul style="list-style-type: none"> ■ Clock Only ■ Escape Mode(ULPS Only)
Data Lane 0	Bi-directional Lane <ul style="list-style-type: none"> ■ Forward High-Speed ■ Bi-directional Escape Mode ■ Bi-directional LPDT
Data Lane 1	Unidirectional Lane <ul style="list-style-type: none"> ■ Forward High-Speed ■ Escape Mode (ULPM only) ■ No LPDT

8.7.1 Display Module Pin Configuration for DSI

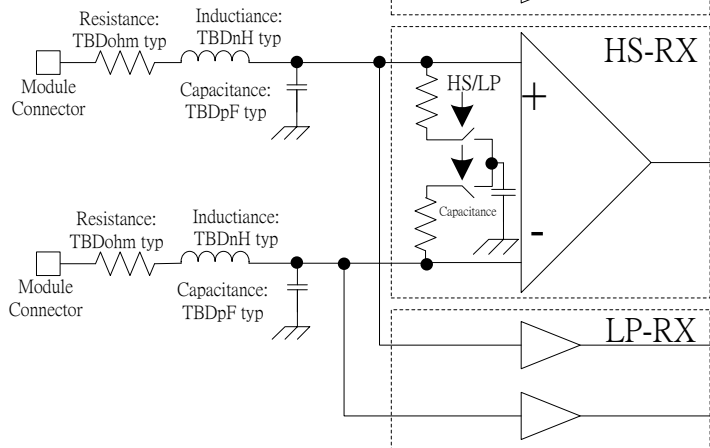
DSI-CLK



DSI-D0



DSI-D1



8.7.2 Display Serial Interface (DSI)

8.7.2.1 General description

The communication can be separated 2 different levels between the MCU and the display module:

- Interface Level : Low level communication
- Packet level : High level communication

8.7.2.2 Interface level communication

8.7.2.2.1 General

The display module uses data and clock lane differential pairs for DSI . Both clock lane and data lane0 can be driven Low Power (LP) or High Speed (HS) mode. Data lane1 and Data lane2 can be driven High Speed mode only.

Lane support mode		
Clock Lane	Unidirectional lane High-Speed Clock only Simplified Escape Mode (ULPS Only)	
Data Lane0	Bi-directional lane Forward high-speed only Bi-directional Escape Mode Bi-direction LPDT	
Data Lane 1	Unidirectional lane Forward high-speed only Simplified Escape Mode(ULPS Only)	

Table 13 The interface color Lane types and support mode

Low Power mode means that each line of the differential pair is used in single end mode and a differential receiver is disable (A termination resistor of the receiver is disable) and it can be driven into a low power mode.

High Speed mode means that differential pairs (The termination resistor of the receiver is enable) are not used in the single end mode.

There are used different modes and protocols in each mode when there are wanted to transfer information from the MCU to the display module and vice versa.

The State Codes of the High Speed (HS) and Low Power (LP) lane pair are defined below.

Lane Pair State Code	Line DC voltage Levels		High Speed(HS)	Low-Power(LP)	
	Dn+ Line	Dn- Line	Burst Mode	Control Mode	Escape Mode
HS-0	Low (HS)	High (HS)	Differential-0	Note 1	Note 1
HS-1	High (HS)	Low (HS)	Differential-1	Note 1	Note 1
LP-00	Low (LP)	Low (LP)	Not Defined	Bridge	Space
LP-01	Low (LP)	High (LP)	Not Defined	HS-Request	Mark-0
LP-10	High (LP)	Low (LP)	Not Defined	LP-Request	Mark-1
LP-11	High (LP)	High (LP)	Not Defined	Stop	Note 2

Table 14 High Speed and Low-Power Lane Pair State Descriptions

Notes:

1. Low-Power Receivers (LP-Rx) of the lane pair are checking the LP-00 state code, when the Lane Pair is in the High Speed (HS) mode.
2. If Low-Power Receivers (LP-Rx) of the lane pair recognizes LP-11 state code, the lane pair returns to LP-11 of the Control Mode.

8.7.2.2.2 DSI-CLK Lanes

DSI-CLK+/- lanes can be driven into three different power modes: Low Power Mode (LPM LP-11), Ultra Low Power Mode (ULPM) or High Speed Clock Mode (HSCM).

Clock lanes are in a single end mode (LP = Low Power) when there is entering or leaving Low Power Mode(LPM) or Ultra Low Power Mode (ULPM).

Clock lanes are in the single end mode (LP = Low Power) when there is entering in or leaving out High Speed Clock Mode (HSCM).

These entering and leaving protocols are using clock lanes in the single end mode to generate an entering or leaving sequences.

The principal flow chart of the different clock lanes power modes is illustrated below.

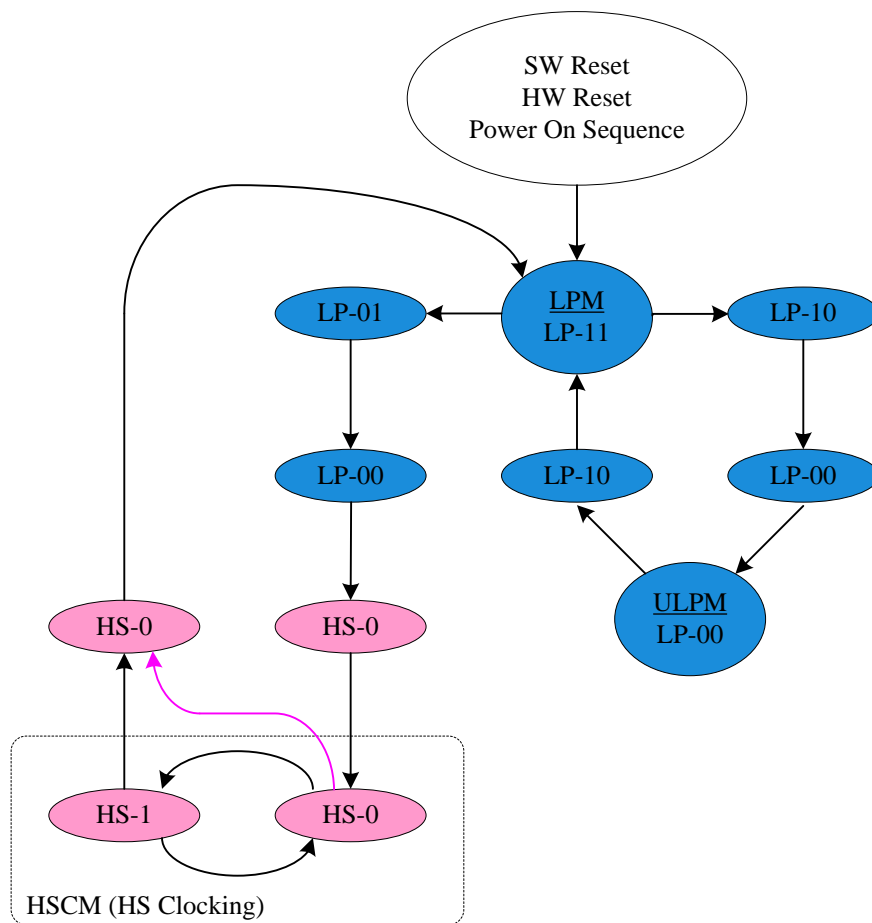


Figure 25 Clock Lanes Power Modes

8.7.2.2.2.1 Low Power Mode (LPM)

DSI-CLK+/- lanes can be driven to the Low Power Mode(LMP),when DSI-CLK lanes are entering LP-11 State Code , in three different ways:

After SW Reset,HW Reset or Power On Sequence=>LP-11

After DSI-CLK+/- lanes are leaving Ultra Low Power Mode (ULPM,LP-00 State Code)=>LP10=>LP-11(LPM).

This sequence is illustrated below.

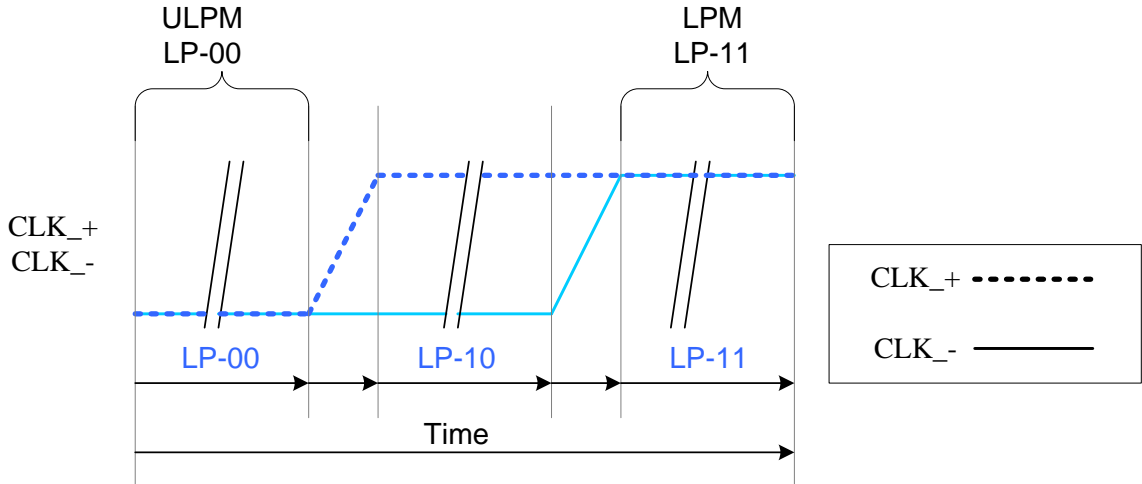


Figure 26 From ULPM to LPM

After DSI-CLK+/- lanes are leaving High Speed Clock Mode (HSCM, HS-0 or HS-1 State Code) =>HS-0 =>LP-11 (LPM).

This sequence is illustrated below.

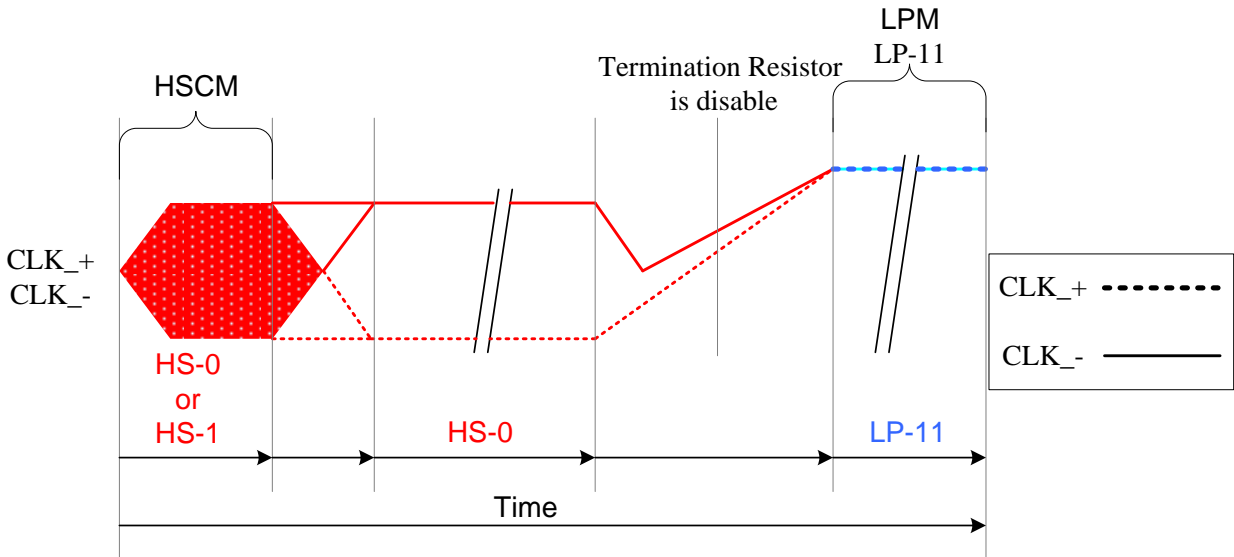


Figure 27 From HSCM to LPM

All three mode changes are illustrated a flow chart below.

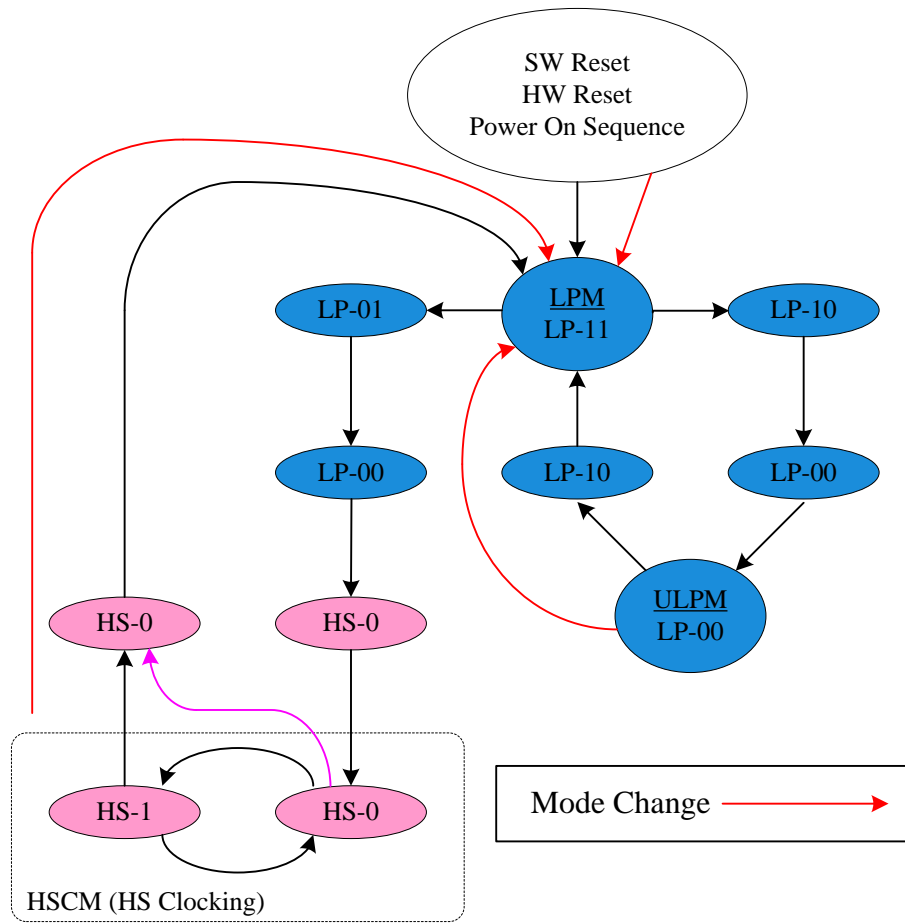


Figure 28 All three mode changes to LPM

8.7.2.2.2 Ultra Low Power Mode (ULPM)

DSI-CLK+/- lanes can be driven to the Ultra Low power Mode (ULPM), when DSI-CLK lanes are entering LP-00 State Code.

The only entering possibility is from the Low Power Mode (LPM, LP-11 State Code) =>LP-10 =>LP-00(ULPM).

This sequence is illustrated below.

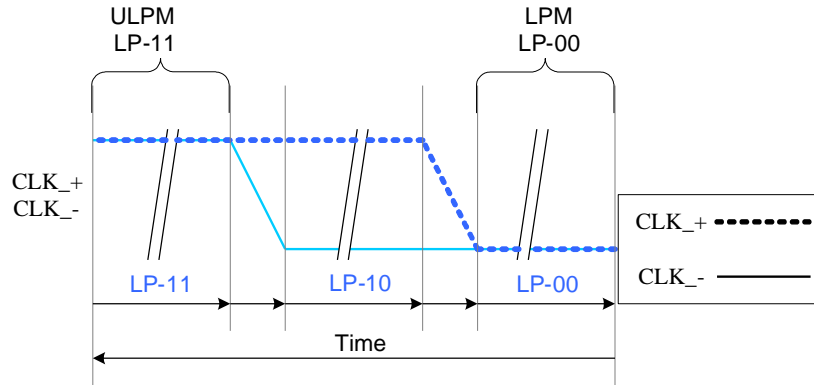


Figure 29 From LPM to UPLM

The mode change is also illustrated below:

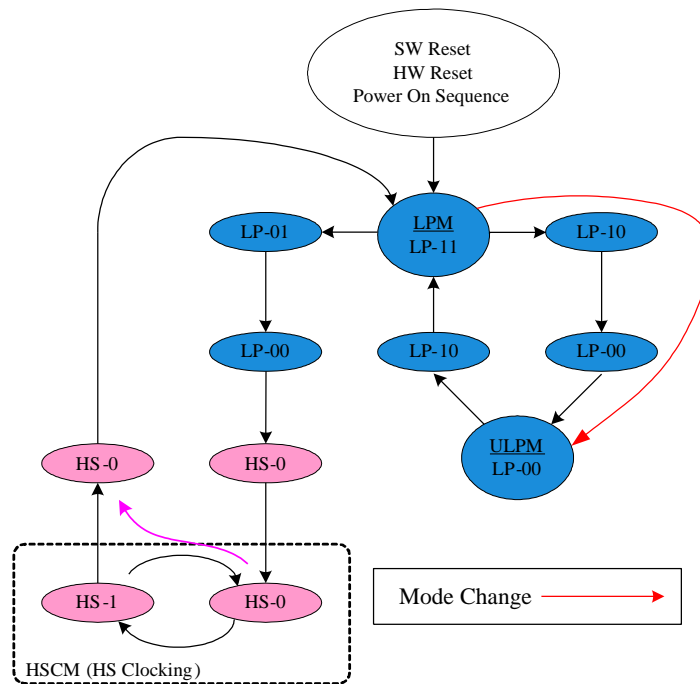


Figure 30 The mode change from LPM to UPLM

8.7.2.2.3 High-speed Clock Mode (HSCM)

DSI-CLK+/- lanes can be driven to the High Speed Clock Mode (HSCM), when DSI-CLK lanes are starting to work between HS-0 and HS-1 State Codes.

The only entering possibility is from the Low Power Mode (LPM, LP-11 State Code) =>LP-01 =>LP-00 =>HS-0 =>HS-0/1 (HSCM).

This sequence is illustrated below.

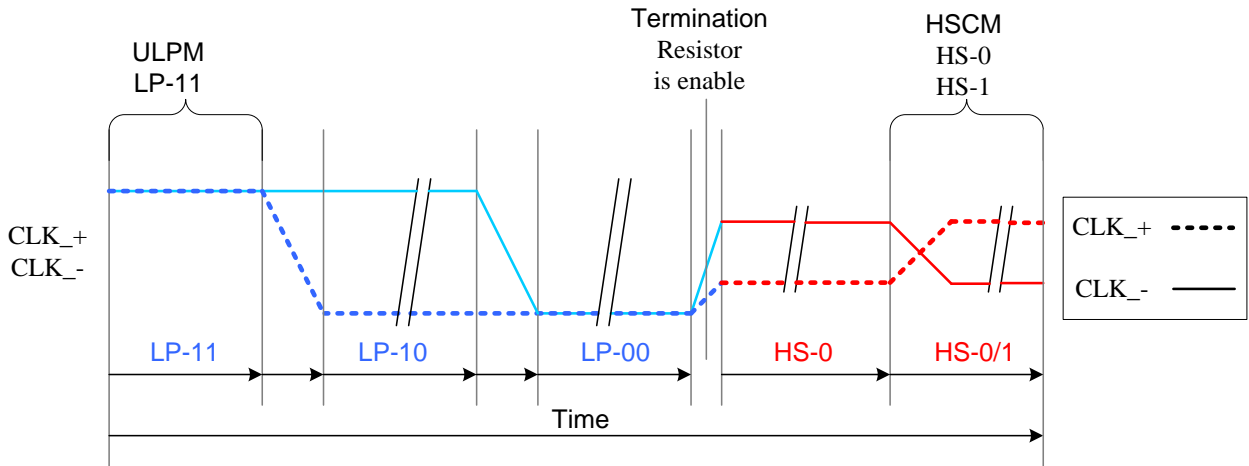


Figure 31 From LPM to HSCM

The mode change is also illustrated below:

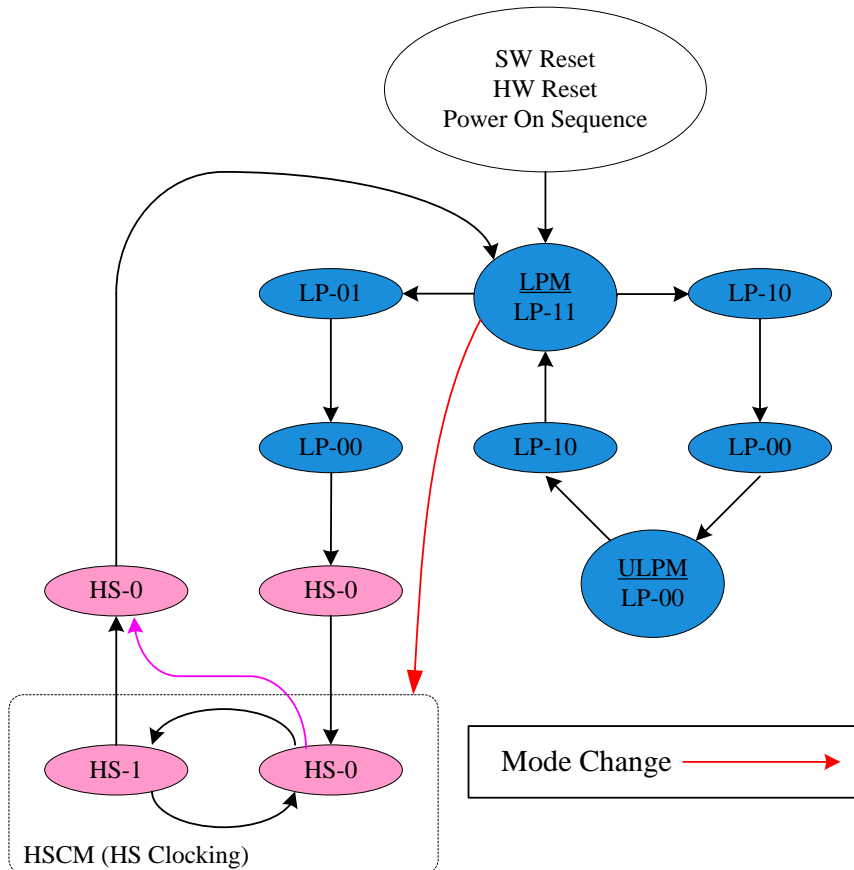


Figure 32 Mode Change from LPM to HSCM on the Flow Chart

The high speed clock (DSI-CLK+/-) is started before high speed data is sent via DSI-Dn+/- lanes. The high speed clock continues clocking after the high speed data sending has been stopped.

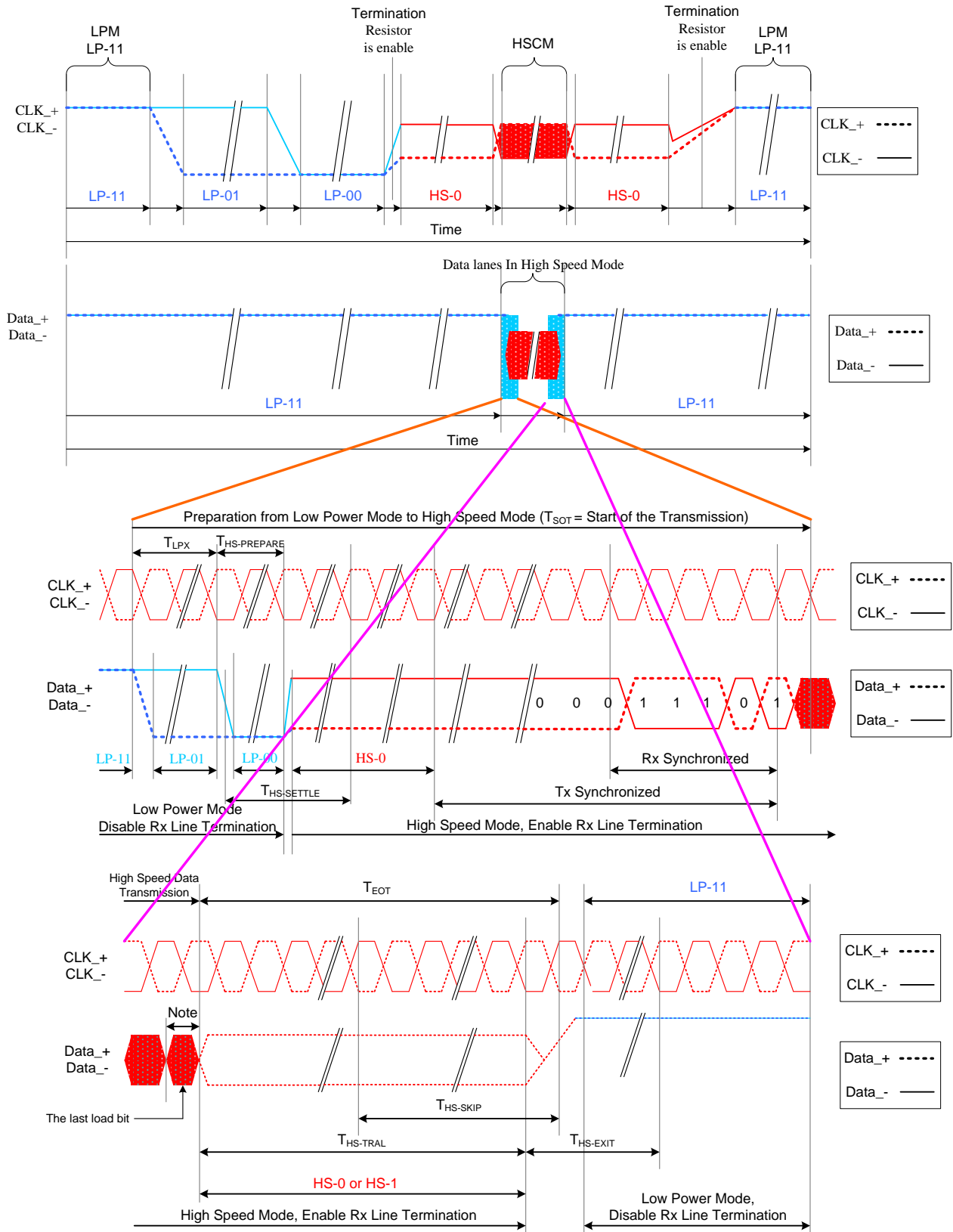


Figure 33 High Speed Clock Burst

8.7.2.2.3 DSI-DATA LANES

8.7.2.2.3.1 GENERAL

DSI-D0+/- Data Lanes can be driven in different modes which are:

- Escape Mode (Only DSI-D0+/- data lanes are used)
- High-Speed Data Transmission (DSI-D1+/- and DSI-D0+/- data lanes are used)
- Bus Turnaround Request (Only DSI-D0+/- data lanes are used)

These modes and their entering codes are defined on the following table.

Mode	Entering Mode Sequence	Leaving Mode Sequence
Escape Mode	LP-11=>LP-10=>LP-00=>LP-01=>LP-00	LP-00=>LP-10=>LP11(Mark1)
High-Speed Data Transmission	LP-11=>LP-01=>LP-00=>HS-0	(HS-0 or HS-1) =>LP-11
Bus Turnaround Request	LP-11=>LP-10=>LP-00=>LP-10=>LP-00	High-Z

Notes:

1. Only DSI-D0+/- data lanes are used.
2. DSI-D1+/- and DSI-D0+/- data lanes are used.
3. More information on section "Bus Turnaround (BTA)"

8.7.2.2.3.2 ESCAPE MODE

Data lanes (DSI-D0+/-) can be used in different Escape Modes when data lanes are in Low Power (LP) mode.

These Escape Modes are used to:

- Send “Low-Power Data Transmission” (LPDT) e.g. from the MCU to the display module
- Drive data lanes to “Ultra-Low Power State” (ULPS)
- Indicate “Remote Application Reset” (RAR), which is reset the display module
- Indicate “Tearing Effect” (TEE), which is used for a TE trigger event from the display module to the MCU
- Indicate “Acknowledge” (ACK), which is used for a non-error event from the display module to the MCU

The basic sequence of the Escape Mode is as follow

- Start: LP-11
- Escape Mode Entry (EME): LP-11 =>LP-10 =>LP-00 =>LP-01 =>LP-00
- Escape Command (EC), which is coded, when one of the data lanes is changing from low-to-high-to-low then this changed data lane is presenting a value of the current data bit (DSI-D0+ = 1, DSI-D0- = 0) e.g. when DSI-D0- is changing from low-to-high-to-low, the receiver is latching a data bit, which value is logical 0. The receiver is using this low-to-high-to-low transition for its internal clock.
- A load if it is needed
- Exit Escape (Mark-1) LP-00 =>LP-10 =>LP-11
- End: LP-11

This basic construction is illustrated below:

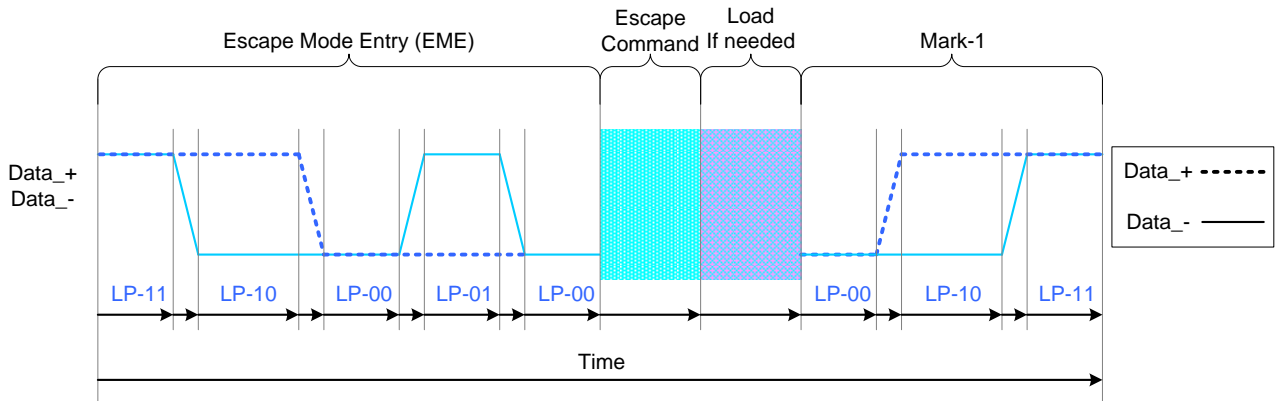


Figure 34 General Escape Mode Sequence

The number of the different Escape Commands (EC) is eight. These eight different escape commands (EC) can be divided 2 different groups: Mode or Trigger. The MCU is informing to the display module that it is controlling data lanes (DSI-D0+/-) with the mode e.g. The MCU can inform to the display module that it can put data lanes in the low power mode. The MCU is waiting from the display module event information, which has been set by the MCU, with the trigger e.g. when the display module reaches a new V-synch, the display module sent to the MCU a TE trigger (TEE), if the MCU has been requested it.

Escape commands are defined on the next table.

This basic construction is illustrated below:

Escape Command	Command Type Mode/Trigger	Entry Command Pattern (First Bit→Last Bit Transmitted)	Dn	D0
Low-Power Data Transmission	Mode	1110 0001 _{bin}	-	○
Ultra-Low Power Mode	Mode	0001 1110 _{bin}	○	○
Underfined-1, Note 1	Mode	1001 1111 _{bin}	-	-
Underfined-2, Note 1	Mode	1101 1110 _{bin}	-	-
Remote Application Reset	Trigger	0110 0010 _{bin}	-	○
Tearing Effect	Trigger	0101 1101 _{bin}	-	-
Acknowledge	Trigger	0010 0001 _{bin}	-	○
Unknow-5,Note 1	Trigger	1010 0000 _{bin}	-	-

Notes:

1. This Escape command support has not been implemented on the display module.
2. n=1.
3. "○"=Supported
4. "-"=Not Supported
5. Tearing Effect Trigger can not be used in MIPI Video mode.

Low-Power Data Transmission(LPDT)

The MCU can send data to the display module in Low-Power Data Transmission (LPDT) mode when data lanes are entering in Escape Mode and Low-Power Data Transmission (LPDT) command has been sent to the display module. The display module is also using the same sequence when it is sending data to the MCU.

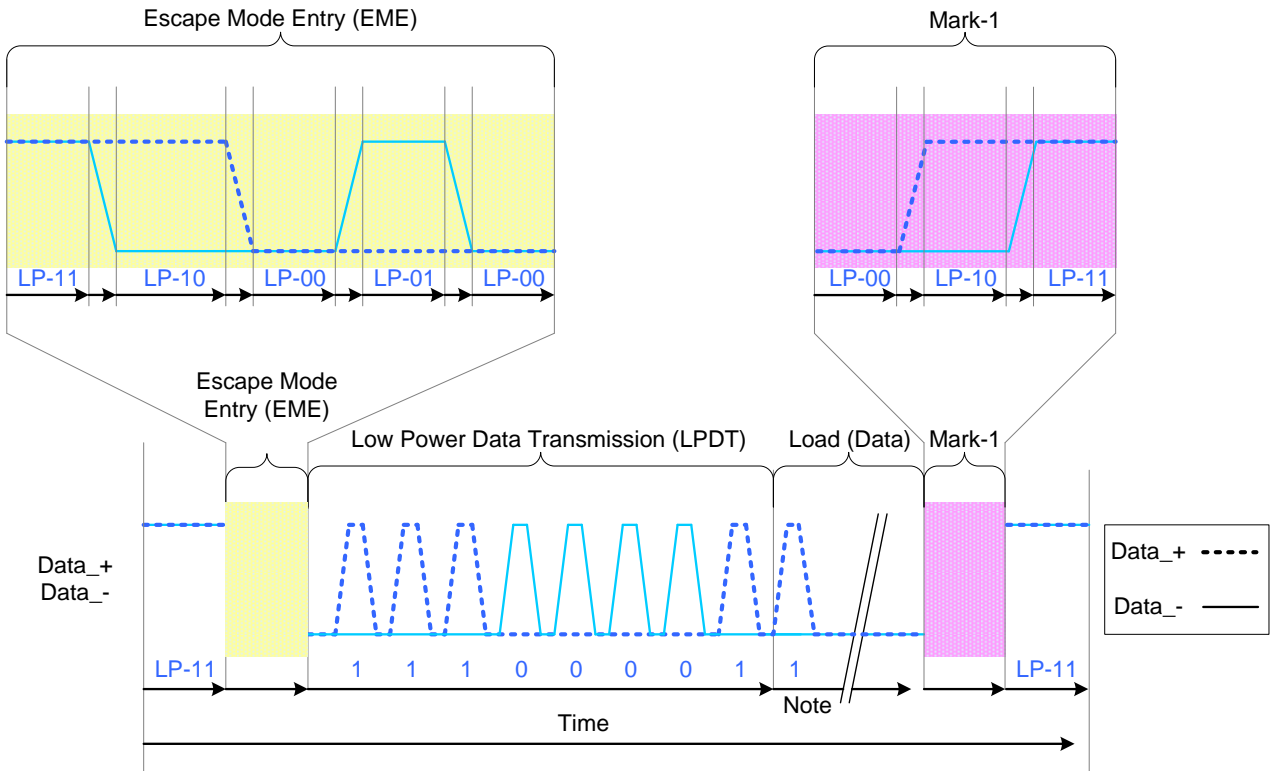
The Low Power Data Transmission (LPDT) is using a following sequence:

- Start: LP-11
- Escape Mode Entry (EME): LP-11 =>LP-10 =>LP-00 =>LP-01 =>LP-00
- Low-Power Data Transmission (LPDT) command in Escape Mode: 1110 0001 (First to Last bit)
- Load (Data): One or more bytes (8 bits)

Data lanes are in pause mode when data lanes are stopped (Bothe lanes are low) between bytes

- Mark-1: LP-00 =>LP-10 =>LP-11
- End: LP-11

This sequence is illustrated for reference purposes below:



Note : Load (Data) is presenting that the first bit is logical “1” in this Exsample

Figure 35 Low-Power Data Transmission (LPDT)

Notes:

Load(Data) is presenting that the first bit is logical ‘1’ in this example

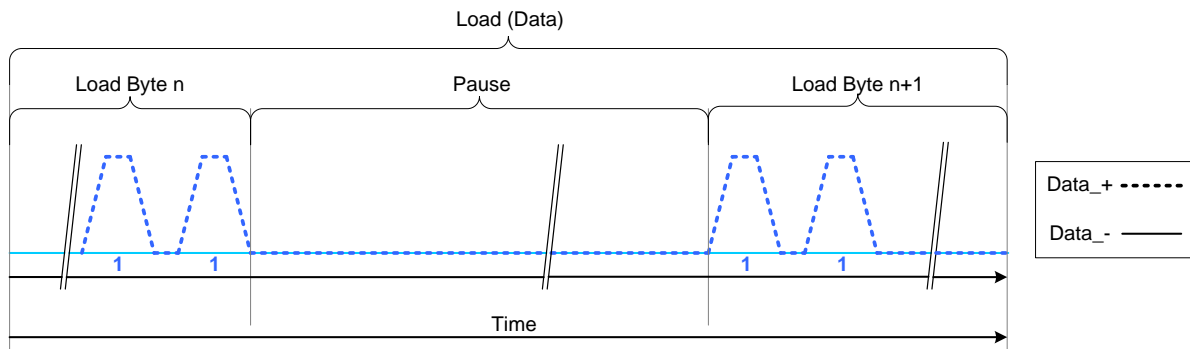


Figure 36 Pause (Example)

Ultra-Low Power State (ULPS)

The MCU can force data lanes in Ultra-Low Power State (ULPS) mode when data lanes are entering in Escape Mode.

The Ultra-Low Power State (ULPS) is using a following sequence:

- Start: LP-11
- Escape Mode Entry (EME): LP-11 =>LP-10 =>LP-00 =>LP-01 =>LP-00
- Ultra-Low Power State (ULPS) command in Escape Mode: 0001 1110 (First to Last bit)
- Ultra-Low Power State (ULPS) when the MCU is keeping data lanes low
- Mark-1: LP-00 =>LP-10 =>LP-11
- End: LP-11

This sequence is illustrated for reference purposes below:

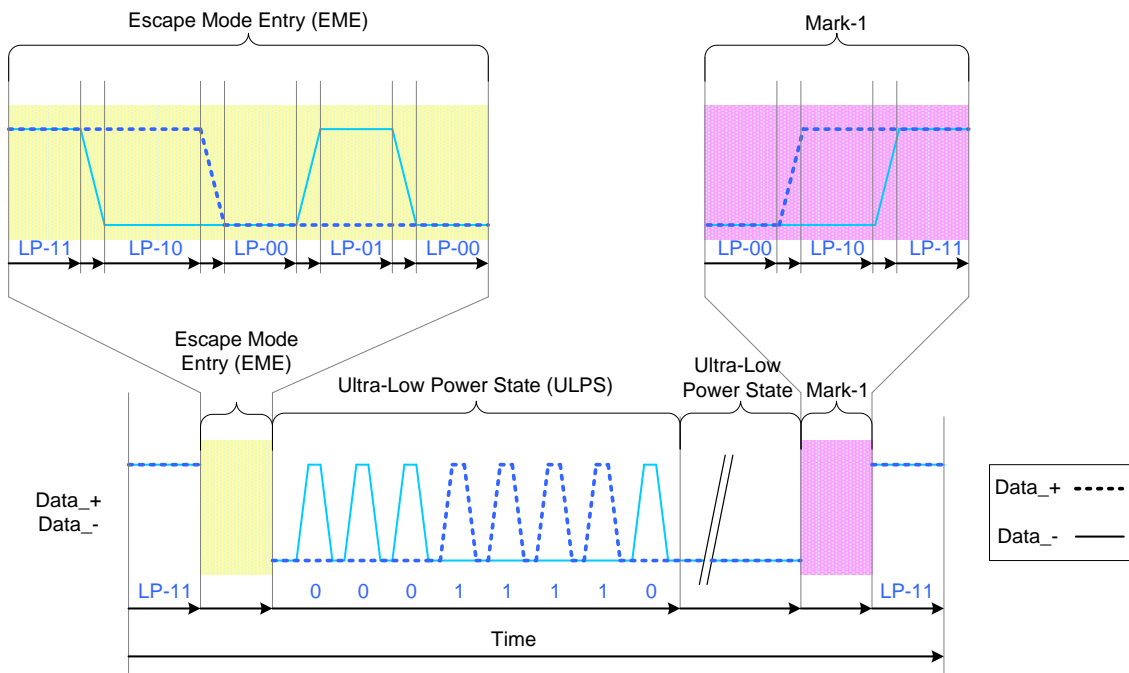


Figure 37 Ultra-Low Power State (ULPS)

Remote Application Reset (RAP)

The MCU can inform to the display module that it should be reset in Remote Application Reset (RAR) trigger when data lanes are entering in Escape Mode.

The Remote Application Reset (RAR) is using a following sequence:

- Start: LP-11
- Escape Mode Entry (EME): LP-11 =>LP-10 =>LP-00 =>LP-01 =>LP-00
- Remote Application Reset (RAR) command in Escape Mode: 0110 0010 (First to Last bit)
- Mark-1: LP-00 =>LP-10 =>LP-11
- End: LP-11

This sequence is illustrated for reference purposes below:

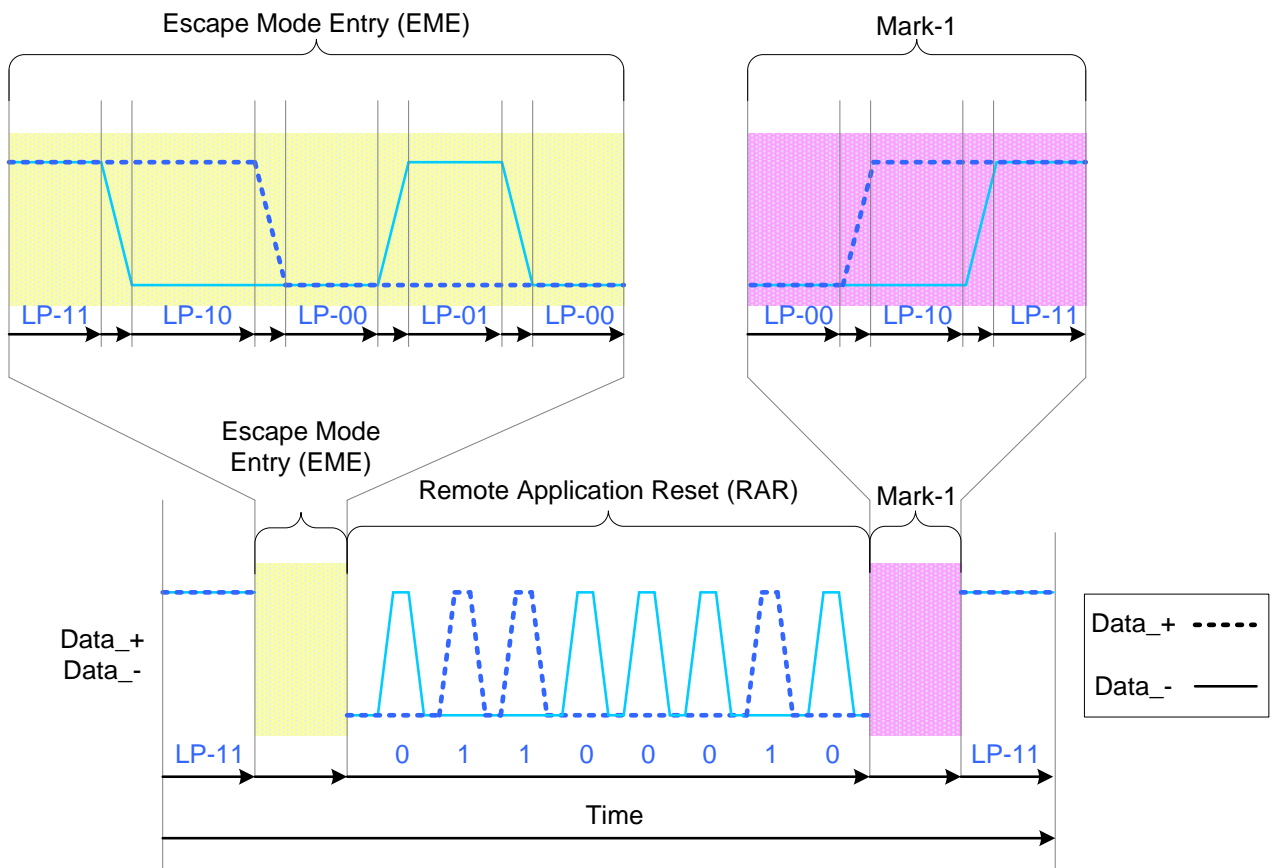


Figure 38 Remote Application Reset (RAR)

Tearing Effect (TEE)

The display module can inform to the MCU when a tearing effect event (New V-synch) has been happen on the display module by Tearing Effect (TEE).

The Tearing Effect (TEE) is using a following sequence:

- Start: LP-11
- Escape Mode Entry (EME): LP-11 =>LP-10 =>LP-00 =>LP-01 =>LP-00
- Tearing Effect (TEE) trigger in Escape Mode: 0101 1101 (First to Last bit)
- Mark-1: LP-00 =>LP-10 =>LP-11
- End: LP-11

This sequence is illustrated for reference purposes below:

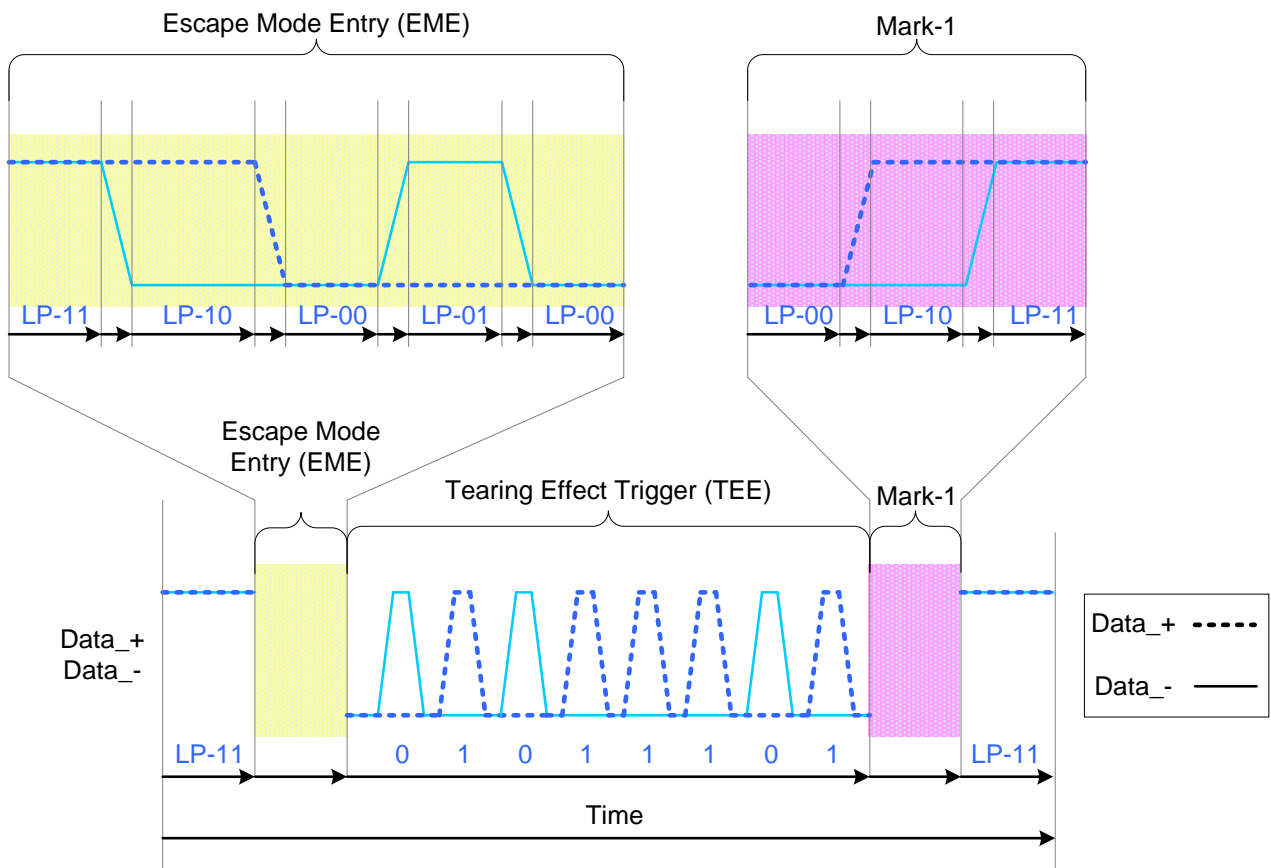


Figure 39 Tearing Effect (TEE)

Note: Tearing Effect (TEE) can not be used in MIPI Video Mode

Acknowledge (ACK)

The display module can inform to the MCU when an error has not recognized on it by Acknowledge (ACK).

The Acknowledge (ACK) is using a following sequence:

- Start: LP-11
- Escape Mode Entry (EME): LP-11 =>LP-10 =>LP-00 =>LP-01 =>LP-00
- Acknowledge (ACK) command in Escape Mode: 0010 0001 (First to Last bit)
- Mark-1: LP-00 =>LP-10 =>LP-11
- End: LP-11

This sequence is illustrated for reference purposes below:

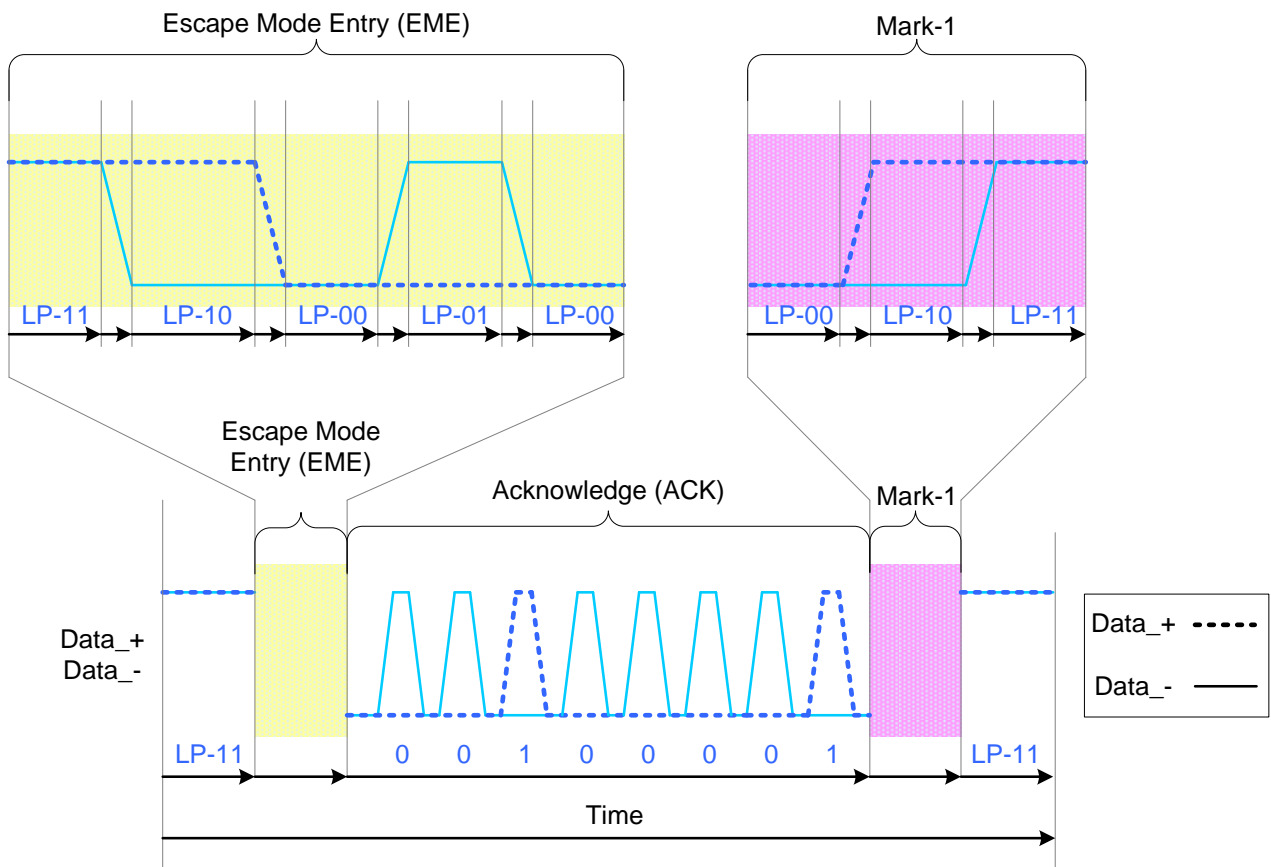


Figure 40 Acknowledge (ACK)

8.7.2.2.3.3 HIGH SPEED DATA TRANSMISSION (HSDT)

Entering High-Speed Data Transmission (T_{SOT} of HSDT)

The display module is entering High-Speed Data Transmission (HSDT) when Clock lanes DSI-CLK+/- have already been entered in the High-Speed Clock Mode (HSCM) by the MCU. See more information on chapter “8.8.2.2.2.3 High-Speed Clock Mode (HSCM)”.

Data lanes of the display module are entering (TSOT) in the High-Speed Data Transmission (HSDT) as follows

- Start: LP-11
- HS-Request: LP-01
- HS-Settle: LP-00 => HS-0 (Rx: Lane Termination Enable)
- Rx Synchronization: 011101 (Tx (= MCU) Synchronization: 0001 1101)
- End: High-Speed Data Transmission (HSDT) – Ready to receive High-Speed Data Load

This same entering High-Speed Data Transmission (TSOT of HSDT) sequence is illustrated below

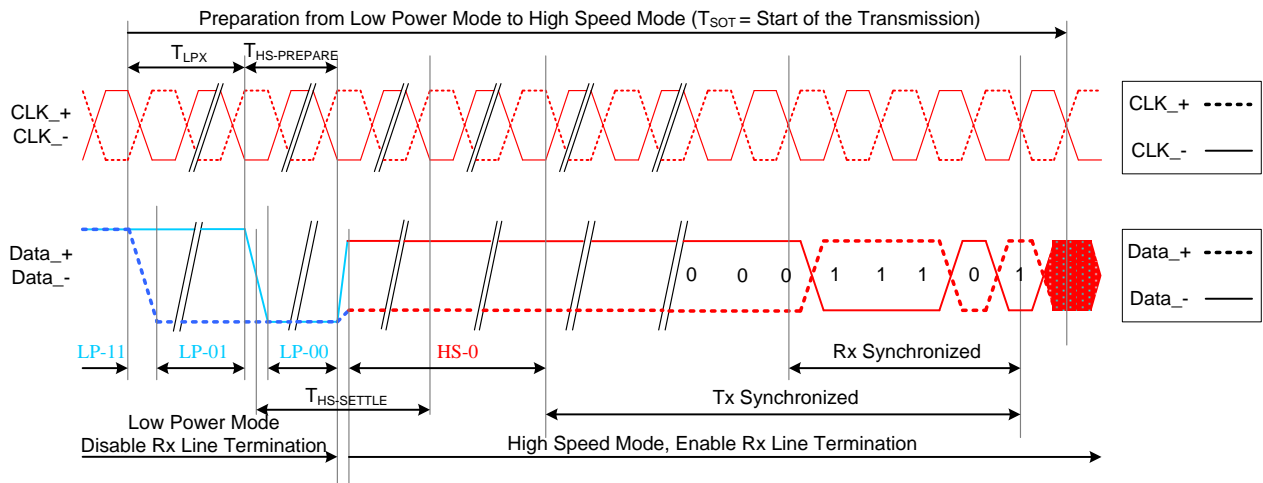


Figure 41 Entering High-Speed Data transmission (T_{SOT} of HSDT)

Leaving High-Speed Data Transmission (TEOT of HSDT)

The display module is leaving the High-Speed Data Transmission (TEOT of HSDT) when Clock lanes DSI-CLK+/- are in the High-Speed Clock Mode (HSCM) by the MCU and this HSCM is kept until data lanes are in LP-11 mode. See more information on chapter “5.3.2.2.2.3 High-Speed Clock Mode (HSCM)”.

Data lanes of the display module are leaving from the High-Speed Data Transmission (TEOT of HSDT) as follows

- Start: High-Speed Data Transmission (HSDT)
- Stops High-Speed Data Transmission
- MCU changes to HS-1, if the last load bit is HS-0
- MCU changes to HS-0, if the last load bit is HS-1
- End: LP-11 (Rx: Lane Termination Disable)

This same leaving High-Speed Data Transmission (TEOT of HSDT) sequence is illustrated below

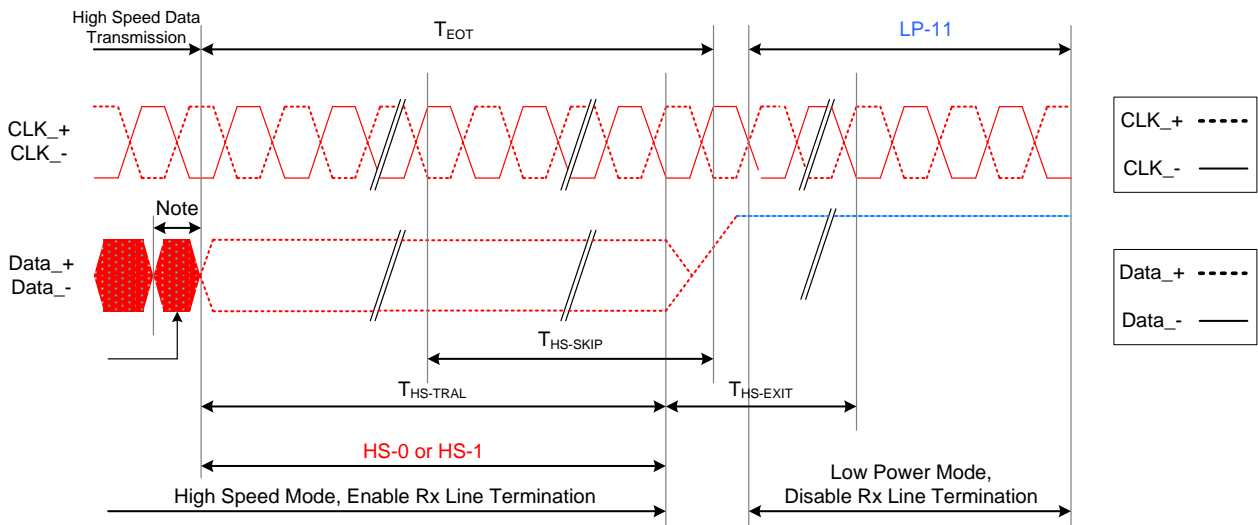


Figure 42 Leaving High-Speed data Transmission (TEOT of HSDT)

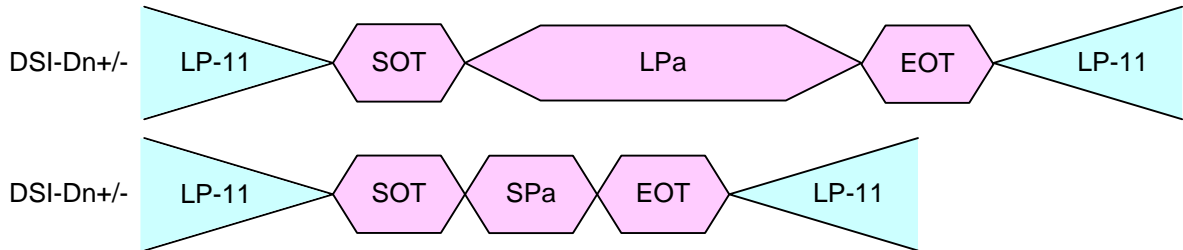
Burst of the High-Speed Data Transmission (HSDT)

The burst of the high-speed data transmission (HSDT) can consist of one data packet or several data packets.

These data packets can be Long (LPa) or Short (SPa) packets.

These different burst of the High-Speed Data Transmission (HSDT) cases are illustrated for reference purposes below.

Single Packet in High Speed Data Transmission



Multiple Packets in High Speed Data Transmission

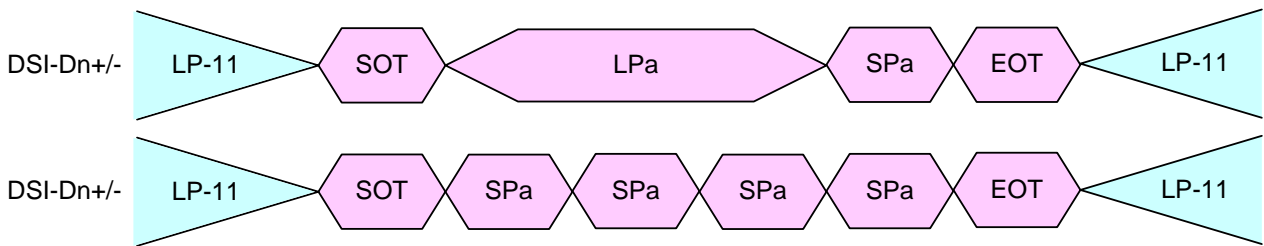
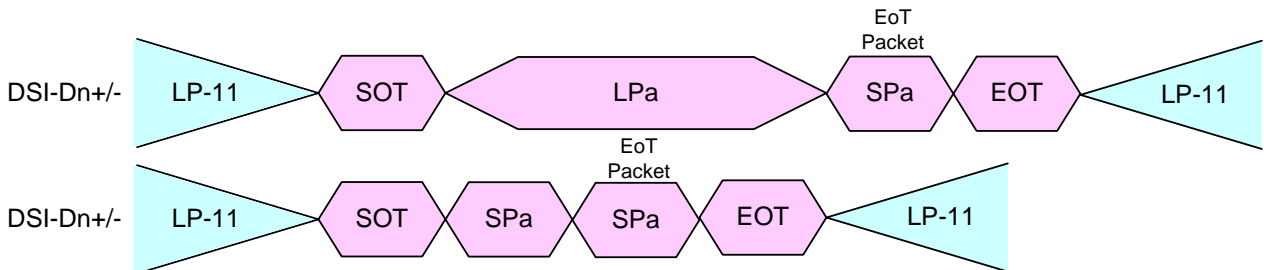


Figure 43 HS Transmission Example with EoT packet disabled

Single Packet in High Speed Data Transmission



Multiple Packets in High Speed Data Transmission

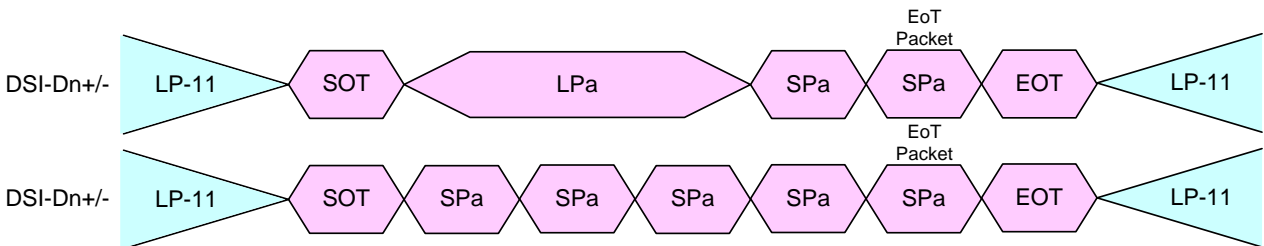


Figure 44 HS Transmission Example with EoT packet enable

Abbreviation	Explanation
EOT	End of the Transmission
LPa	Long Packet
LP-11	Low Power Mode, Data lanes are '1's (Stop Mode)
SPa	Short Packet
SOT	Start of the Transmission

Bus Turnaround (BTA)

The MCU or display module, which is controlling DSI-D0+/- Data Lanes, can start a bus turnaround procedure when it wants information from a receiver, which can be the MCU or display module.

The MCU or display module are using the same sequence when this bus turnaround procedure is used. This sequence is described for reference purposes, when the MCU wants to do the bus turnaround procedure to the display module, as follow.

- Start (MCU):LP-11
- Turnaround Request (MCU): LP-11 _ LP-10 _ LP-00 _ LP-10 _ LP-00
- The MCU wait until the display module is starting to control DSI-D0+/- data lanes and the MCU stop to control DSI-D0+/- data lanes (=High-Z)
- The display module changes to the stop mode: LP-00 _ LP-10 _ LP-11

The same bus turnaround .procedure (From the MCU to the display module) is illustrated below.

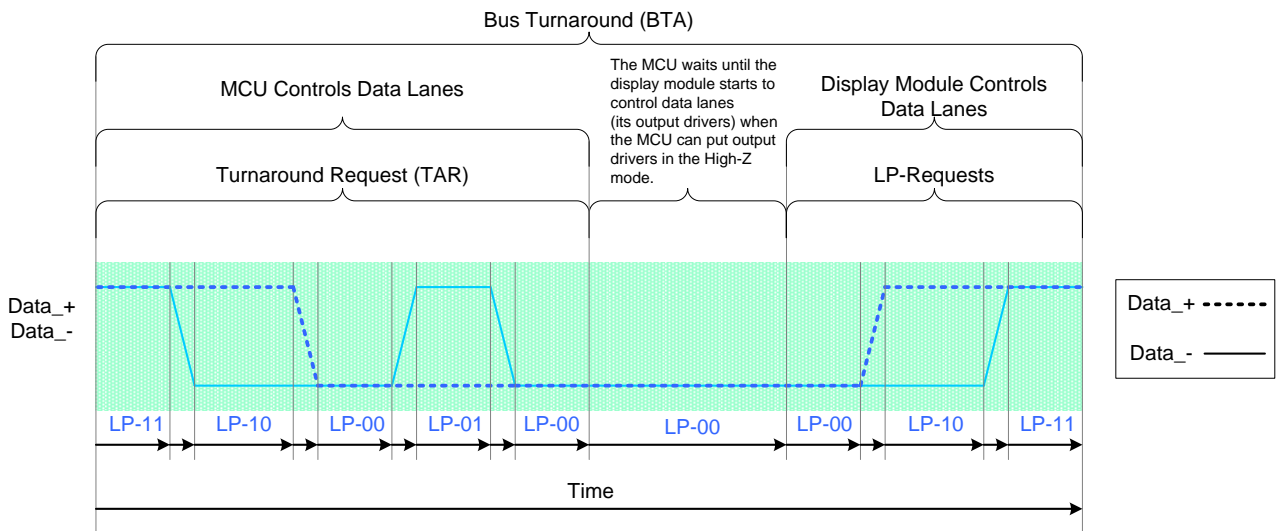


Figure 45 Bus Turnaround Procedure

MCU and the display module terms are switched on above figure, if the Bus Turnaround (BTA) is from the display module to the MCU..

8.7.2.3 Packet Level Communication

8.7.2.3.1 Short Packet (SPa) And Long Packet (LPa) Structure

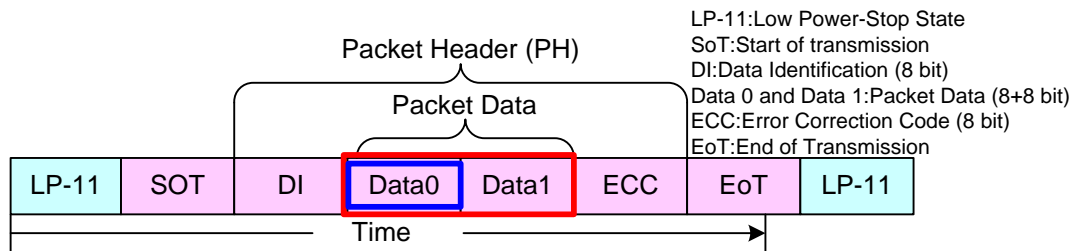
Short Packet (SPa) and Long Packet (LPa) are always used when data transmission is done in Low Power Data Transmission (LPDT) or High-Speed Data Transmission (HSDT) modes.

The lengths of the packets are

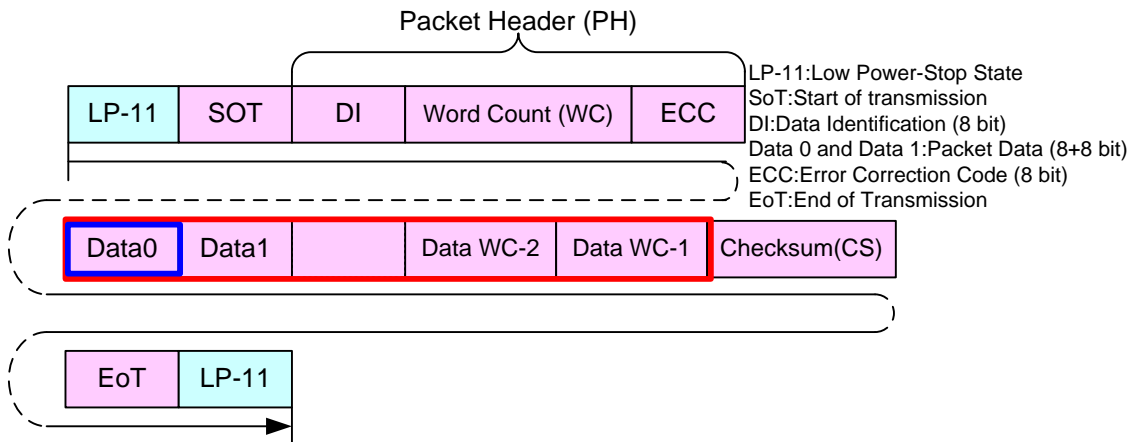
- Short Packet (SPa): 4 bytes
- Long Packet (LPa): From 6 to 65,541 bytes

The type (SPa or LPa) of the packet can be recognized from their package headers (PH).

Short Packet (Spa) Structure:



Long Packet (Spa) Structure:



Note:

Short Packet (SPa) Structure and Long Packet (LPa) Structure are presenting a single packet sending (= Includes LP-11, SoT and EoT for each packet sendings).

The other possibility is that there is not needed SoT, EoT and LP-11 between packets if packets have sent in multiple packet format e.g.

* LP-11 =>SoT=>SPa=>LPa=>SPa=>SPa=>EoT=>LP-11

* LP-11 =>SoT=>SPa=>SPa=>SPa=>EoT=>LP-11

* LP-11 =>SoT=>LPa=>LPa=>LPa=>EoT=>LP-11

8.7.2.3.1.1 Bit Order of the Byte on Packets

The bit order of the byte, what is used on packets, is that the Least Significant Bit (LSB) of the byte is sent in the first and the Most Significant Bit (MSB) of the byte is sent in the last.

This same order is illustrated for reference purposes below.

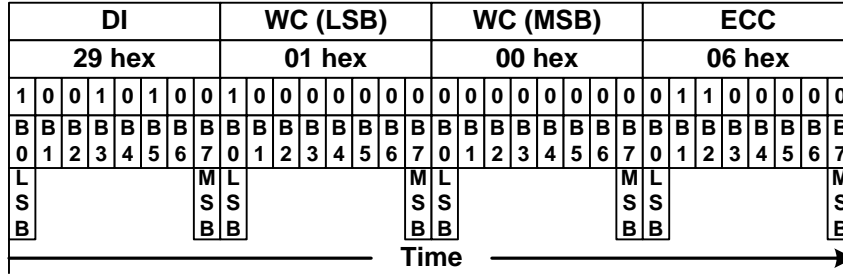


Figure 46 Bit Order of Byte on Packets

8.7.2.3.1.2 Bit Order of the Multiple Byte Information on Packets

Byte order of the multiple bytes information, what is used on packets, is that the Least Significant (LS) Byte of the information is sent in the first and the Most Significant (MS) Byte of the information is sent in the last e.g. Word Count (WC) consists of 2 bytes (16 bits) when the LS byte is sent in the first and the MS byte is sent in the last.

This same order is illustrated for reference purposes below.

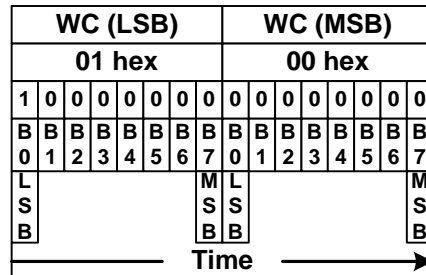


Figure 47 Byte Order of the Multiple Byte on Packets

8.7.2.3.1.3 Pack Header (PH)

The packet header is always consisting of 4 bytes. The content of these 4 bytes are different if it is used to Short Packet (SPa) or Long Packet (LPa).

Short Packet (SPa):

- 1st byte: Data Identification (DI) => Identification that this is Short Packet (SPa)
- 2nd and 3rd bytes: Packet Data (PD), Data 0 and 1
- 4th byte: Error Correction Code (ECC)

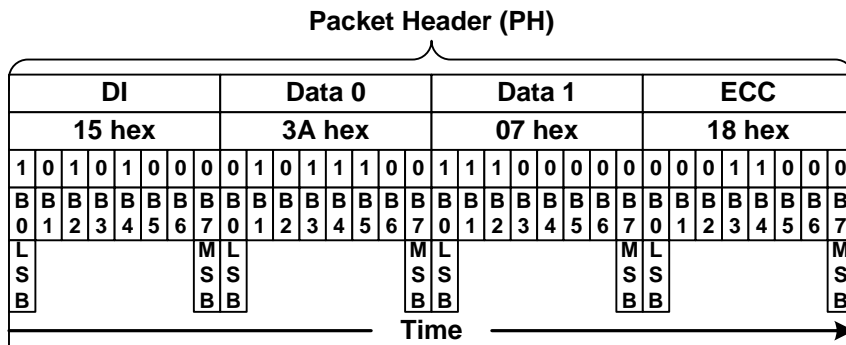


Figure 48 Packet Header (PH) on Short Packet(Spa)

Long Packet (LPa):

- 1st byte: Data Identification (DI) => Identification that this is Long Packet (LPa)
- 2nd and 3rd bytes: Word Count (WC)
- 4th byte: Error Correction Code (ECC)

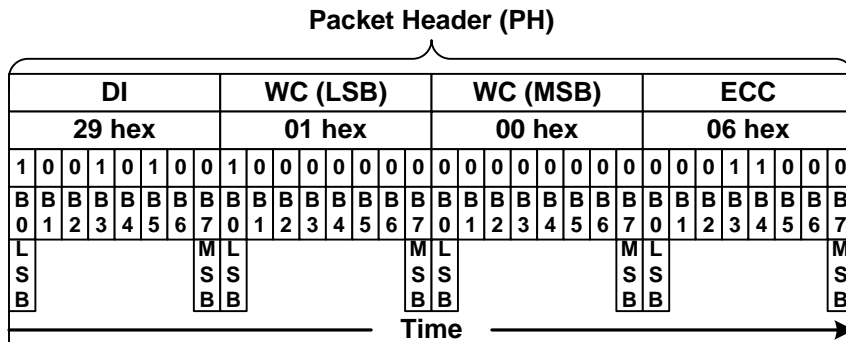


Figure 49 Packet Header (PH) on Long Packet (LPa)

Data Identification (DI)

Data Identification (DI) is a part of Packet Header (PH) and it consists of 2 parts:

- Virtual Channel (VC), 2 bits, DI[7...6]
- Data Type (DT), 6 bits, DI[5...0]

The Data Identification (DI) structure is illustrated on a table below.

Data Identification (DI)							
Virtual Channel (VC)		Data Type (DT)					
Bit 7	Bit 6	Bit 5	Bit 4	Bit 3	Bit 2	Bit 1	Bit 0

Figure 50 Data Identification (DI) Structure

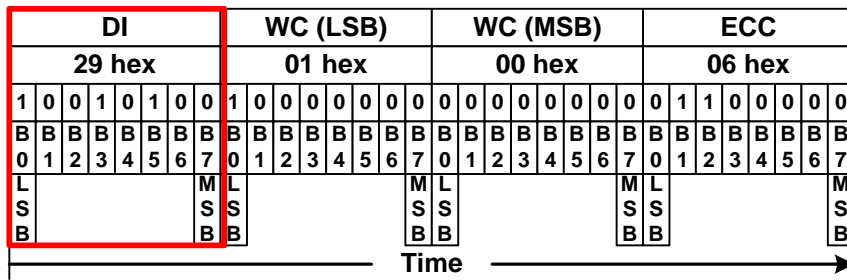


Figure 51 Data Identification (DI) on the Packet Header (PH)

Virtual Channel (VC)

Virtual Channel (VC) is a part of Data Identification (DI[7...6]) structure and it is used to address where a packet is wanted to send from the MCU.

Bits of the Virtual Channel (VC) are illustrated for reference purposes below.

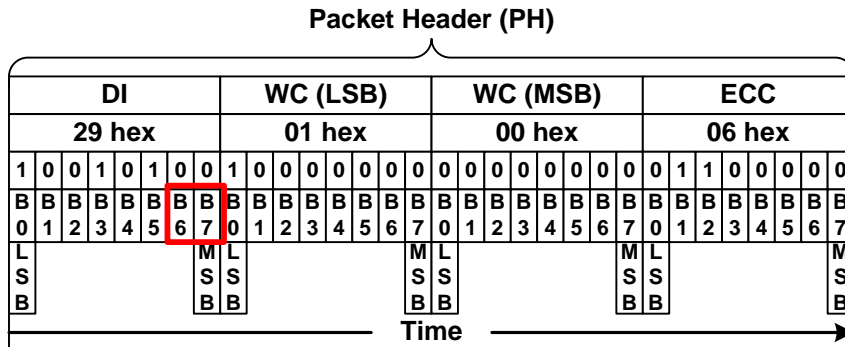
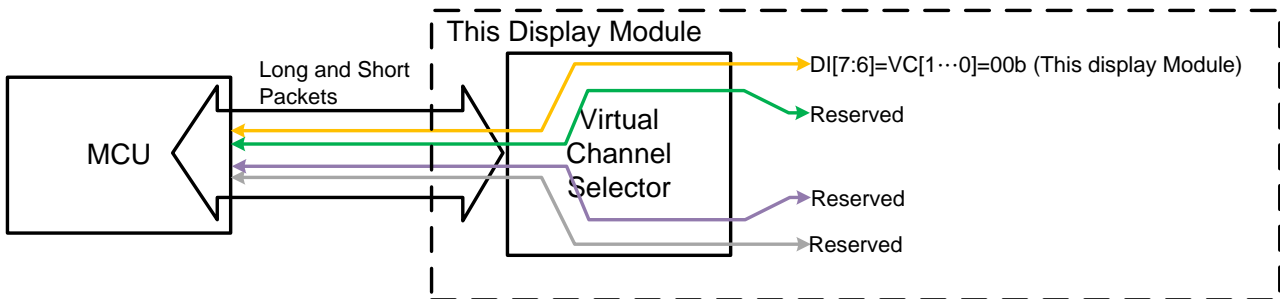


Figure 52 Virtual Channel (VC) on the Packet Header (PH)

Virtual Channel (VC) can address 4 different channels for e.g. 4 different display modules. Devices are using the same virtual channel what the MCU is using to send packets to them e.g.

- The MCU is using the virtual channel 0 when it sends packets to this display module
- This display module is also using the virtual channel 0 when it sends packets to the MCU

This functionality is illustrated below.



Virtual Channel (VC) Configuration

Virtual Channel (VC) always 0 (D[7...6]=VC[1...0]00b) when the MCU is sending “End of Transmission Packet” to the display module. See section “End of Transmission Packet (EoTP)”

This display module is not supporting the virtual channel selector for other device (1 to 3) when only possible virtual channel (VC[1...0]) is 00b for this display module.

Data Type (DT)

Data Type (DT) is a part of Data Identification (DI[5...0]) structure and it is used to define a type of the used data on a packet.

Bits of the Data Type (DT) are illustrated for reference purposes below.

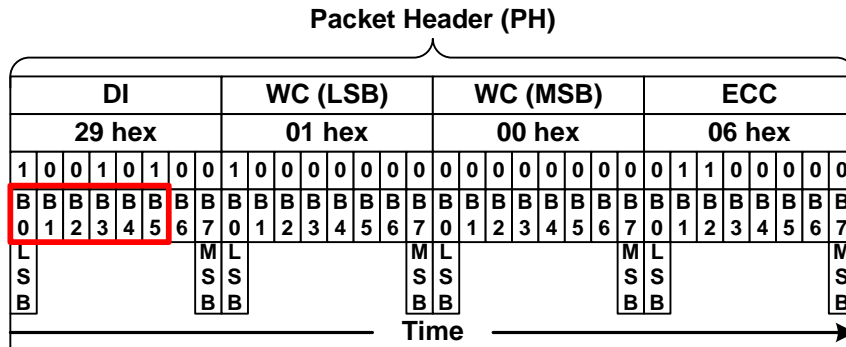


Figure 53 Data Type (DT) on the Packet Header (PH)

This Data Type (DT) also defines what the used packet is: Short Packet (SPa) or Long Packet (LPa). Data Types (DT) are different from the MCU to the display module (or other devices) and vice versa.

These Data Type (DT) are defined on tables below.

Data Type Hex	Data Type Binary	Description	Packet Size
01h	00 0001	Sync Event, V Sync Start.	Short
11h	01 0001	Sync Event, V Sync End.	Short
21h	10 0001	Sync Event, H Sync Start.	Short
31h	11 0001	Sync Event, H Sync End.	Short
08h	00 1000	End of Transmission (EoT) packet.	Short
02h	00 0010	Color Mode (CM) Off Command.	Short
12h	01 0010	Color Mode (CM) On Command.	Short
22h	10 0010	Shut Down Peripheral Command.	Short
32h	11 0010	Turn On Peripheral Command.	Short
03h	00 0011	Generic Short WRITE, no parameters	Short
13h	01 0011	Generic Short WRITE, 1 parameter.	Short
23h	10 0011	Generic Short WRITE, 2 parameters.	Short
04h	00 0100	Generic READ, no parameters.	Short
14h	01 0100	Generic READ, 1 parameter.	Short
24h	10 0100	Generic READ, 2 parameters.	Short
05h	00 0101	DCS WRITE, no parameter.	Short
15h	01 0101	DCS WRITE, 1 parameter.	Short
06h	00 0110	DCS READ, no parameter.	Short
37h	11 0111	Set Maximum Return Packet Size.	Short
09h	00 1001	Null Packet, no data.	Long
19h	01 1001	Blanking Packet, no data.	Long
29h	10 1001	Generic Long Write.	Long
39h	11 1001	DCS Long Write/write_LUT Command Packet.	Long
0Eh	00 1110	Packed Pixel Stream, 16-bit RGB,5-6-5 Format.	Long
1Eh	01 1110	Packed Pixel Stream, 18-bit RGB,6-6-6 Format.	Long
2Eh	10 1110	Loosely Packed Pixel Stream,18-bit RGB,6-6-6 Format	Long
3Eh	11 1110	Packed Pixel Stream,24-bit RGB,8-8-8 Format.	Long

Table 15 Data Type (DT) from MCU to the Display Module (or Other Devices)

From the Display Module (or Other Devices) to the MCU									
Hex	B 5	B 4	B 3	B 2	B 1	B 0	Description	Packet	Abbreviation
02h	0	0	0	0	1	0	Acknowledge with Error Report	Short	AwER
1Ch	0	1	1	1	0	0	DCS Read Long Response	Short	DCSRR_L
21h	1	0	0	0	0	1	DCS Read Short Response, 1 byte returned	Short	DCSRR1_S
22h	1	0	0	0	1	0	DCS Read Short Response, 2 byte returned	Short	DCSRR2_S
1Ah	0	1	1	0	1	0	Generic Read Long Response	Short	GENRR-L
11h	0	1	0	0	0	1	Generic Read Short Response, 1 byte returned	Short	GENRR1-S
12h	0	1	0	0	1	0	Generic Read Short Response, 2 byte returned	Short	GENRR2-S

Table 16 Data Type (DT) from the Display Module (or Other Devices) to the MCU

The receiver will ignore other Data Type (DT) if they are not defined on tables: “Data Type (DT) from the MCU to the Display Module (or Other Devices)” or “Data Type (DT) from the Display Module (or Other Devices) to the MCU”.

Packet Data (PD) on the Short Packet (SPa)

Packet Data (PD) of the Short Packet (SPa) is defined after Data Type (DT) of the Data Identification (DI) has indicated that Short Packet (SPa) is wanted to send.

The Word Count (WC) indicates the number of Bytes of Packet of Packet Data (PD) send after the Packet Header.

Packet Data (PD) of the Short Packet (SPa) consists of 2 data bytes: Data 0 and Data 1.

Packet Data (PD) sending order is that Data 0 is sent in the first and the Data 1 is sent in the last.

Bits of Data 1 are set to '0' if the information length is 1 byte.

Packet Data (PD) of the Short Packet (SPa), when the length of the information is 1 or 2 bytes are illustrated for reference purposes below, when Virtual Channel (VC) is 0.

Packet Data (PD) information:

- Data 0: 35hex (Display Command Set (DCS) with 1 Parameter => DI(Data Type (DT)) = 15hex)
- Data 1: 01hex (DCS's parameter)

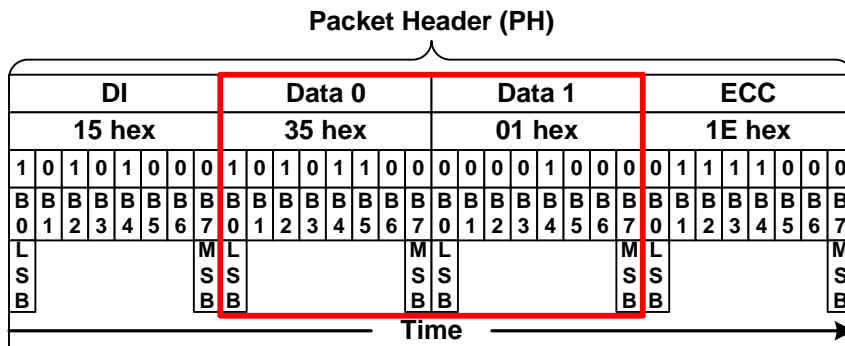


Figure 54 Packet Data (PD) for Short Packet (SPa), 2 Bytes Information

Packet Data (PD) information:

- Data 0: 10hex (DCS without parameter => DI(Data Type (DT)) = 05hex)
- Data 1: 00hex (Null)

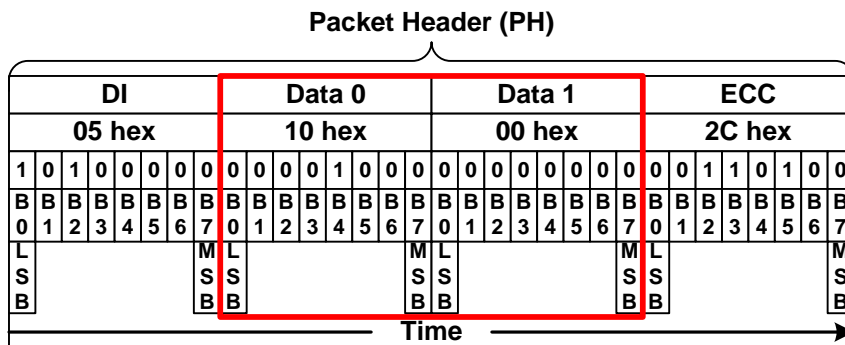


Figure 55 Packet Data(PD) fo Short Packet (Spa), 1 Bytes Information

Word Count (WC) on the Long Packet (LPa)

Word Count (WC) of the Long Packet (LPa) is defined after Data Type (DT) of the Data Identification (DI) has indicated that Long Packet (LPa) is wanted to send.

Word Count (WC) indicates a number of the data bytes of the Packet Data (PD) what is wanted to send after Packet Header (PH) versus Packet Data (PD) of the Short Packet (SPa) is placed in the Packet Header (PH).

Word Count (WC) of the Long Packet (LPa) consists of 2 bytes.

These 2 bytes of the Word Count (WC) sending order is that the Least Significant (LS) Byte is sent in the first and the Most Significant (MS) Byte is sent in the last.

Word Count (WC) of the Long Packet (LPa) is illustrated for reference purposes below.

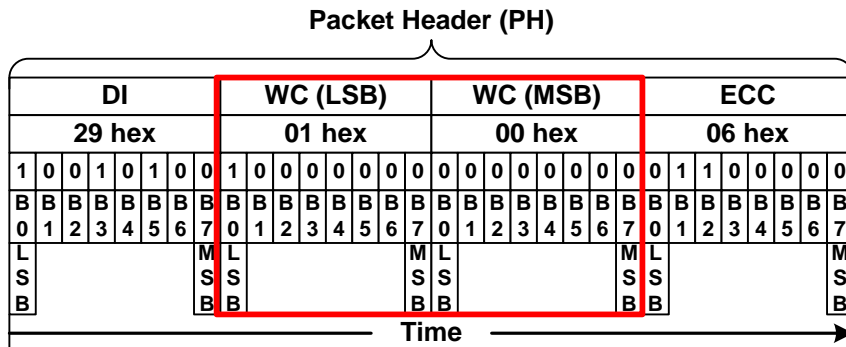
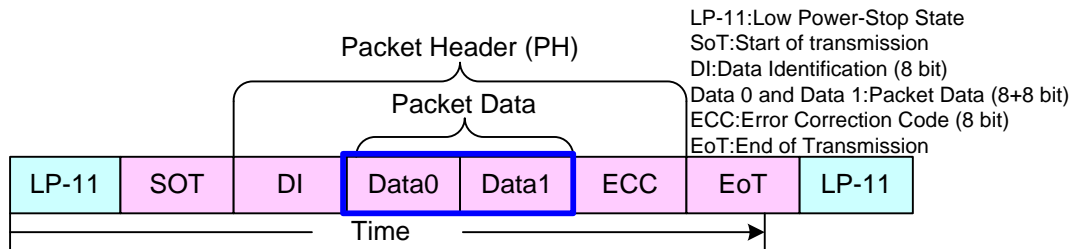
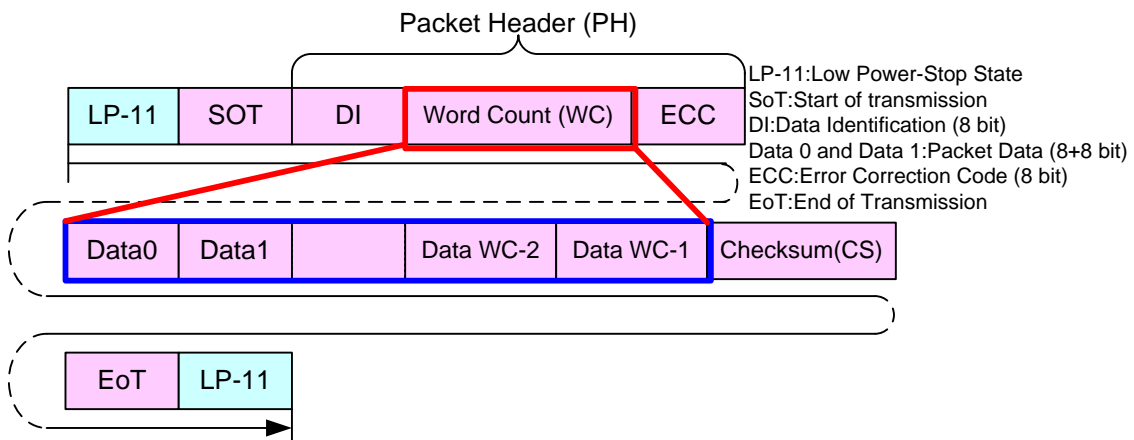


Figure 56 Word Count (WC) on the Long Packet (LPa)

Short Packet:



Long Packet:

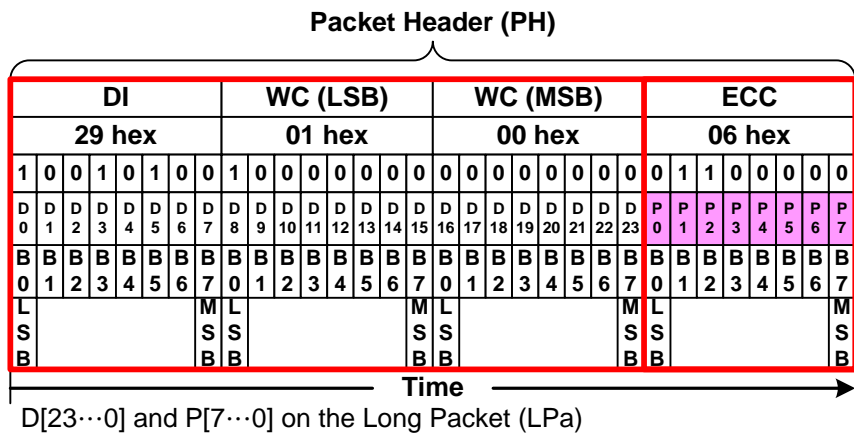
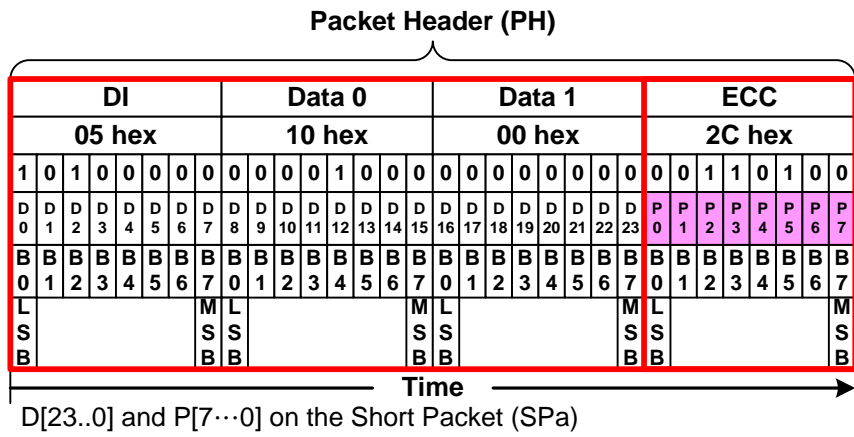


Error Correction Code (ECC)

Error Correction Code (ECC) is a part of Packet Header (PH) and its purpose is to identify an error or errors on the Packet Header (PH):

The ECC protects the following field”

- Short Packet (SPa): Data Identification (DI) byte (8 bits, D[0...7]), Packet Data (PD) bytes (16 bits, D[8...23]) and ECC(8 bits: P[0...7])
 - Long Packet (LPa): Data Identification (DI) byte (8 bits, D[0...7]), Word Count (WC) bytes (16 bits: D[8...23]) and ECC (8 bits, P[0...7])
- D[23...0] and P[7...0] are illustrated for reference purposes below.

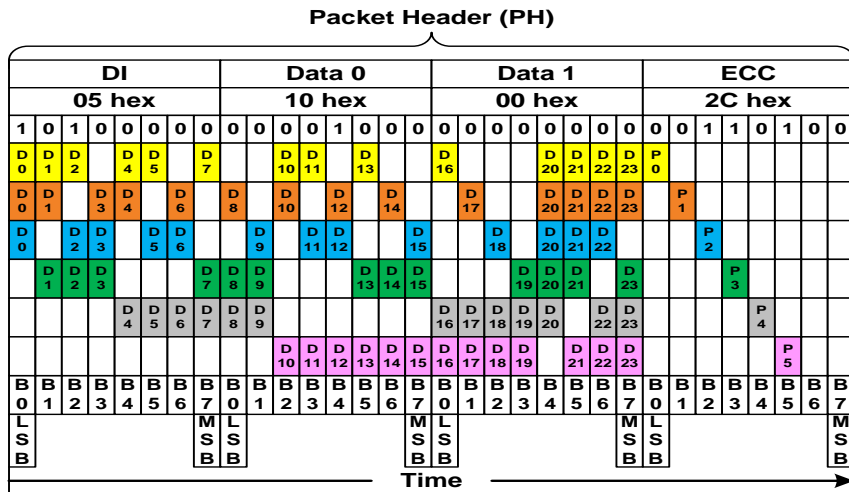


Error Correction Code (ECC) can recognize one error or several errors and makes correction in one bit error case.

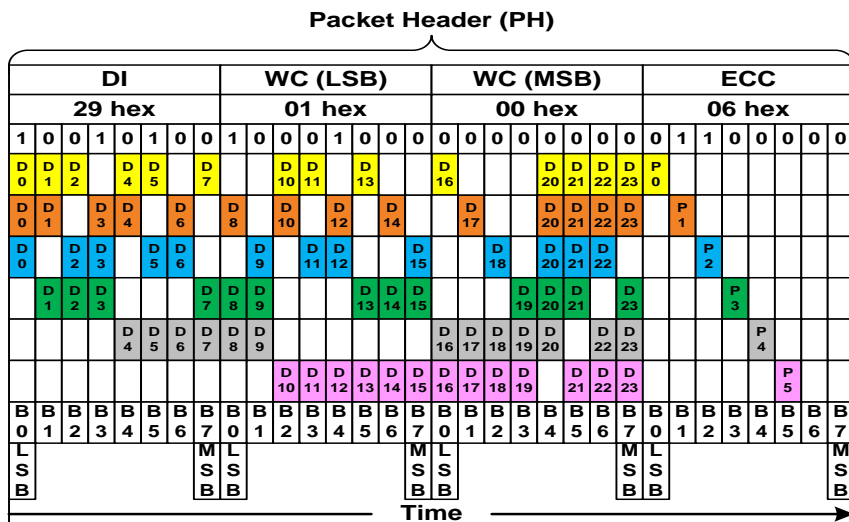
Bits (P[7...0]) of the Error Correction Code (ECC) are defined, where the symbol '^' is presenting XOR function (Pn is '1' if there is odd number of '1's and Pn is '0' if there is even number of '1's), as follows.

- P7 = 0
- P6 = 0
- P5 = D10^D11^D12^D13^D14^D15^D16^D17^D18^D19^D21^D22^D23
- P4 = D4^D5^D6^D7^D8^D9^D16^D17^D18^D19^D20^D22^D23
- P3 = D1^D2^D3^D7^D8^D9^D13^D14^D15^D19^D20^D21^D23
- P2 = D0^D2^D3^D5^D6^D9^D11^D12^D15^D18^D20^D21^D22
- P1 = D0^D1^D3^D4^D6^D8^D10^D12^D14^D17^D20^D21^D22^D23
- P0 = D0^D1^D2^D4^D5^D7^D10^D11^D13^D16^D20^D21^D22^D23

P7 and P6 are set to '0' because Error Correction Code (ECC) is based on 64 bit value ([D63...0]), but this implementation is based on 24 bit value (D[23...0]). Therefore, there is only needed 6 bits (P[5...0]) for Error Correction Code (ECC).



XOR Functionality on the Short Packet (SPa)



XOR Functionality on the Long Packet (LPa)

The transmitter (The MCU or the Display Module) is sending data bits D[23...0] and Error Correction Code (ECC) P[7...0]. The receiver (The Display module or the MCU) is calculate an Internal Error Correction Code (IECC) and compares the received Error Correction Code (ECC) and the Internal Error Correction Code (IECC). This comparison is done when each power bit of ECC and IECC have been done XOR function. The result of this function is PO[7...0].

This functionality, where the transmitter is the MCU and the receiver is the display module, is illustrated for reference purposes below.

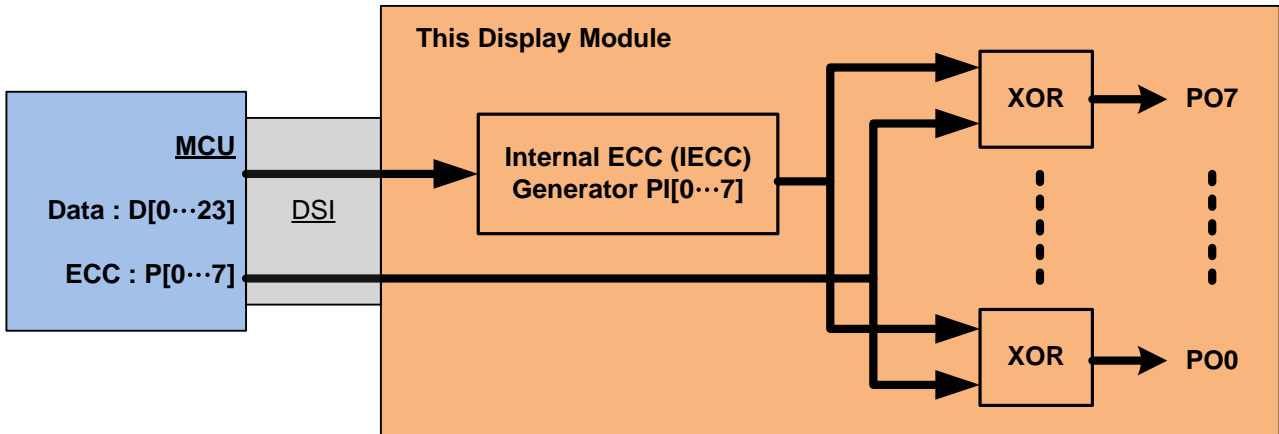


Figure 57 Internal Error Correction Code (IECC) on the Display Module (The Receiver)

The sent data bits (D[23...0]) and ECC (P[7...0]) are received correctly, if a value of the PO[7...0] is 00h. The sent data bits (D[23...0]) and ECC (P[7...0]) are not received correctly, if a value of the PO[7...0] is not 00h.

ECC P[7...0]	1	1	0	0	0	0	0	0	03h
IECC PI[7...0]	1	1	0	0	0	0	0	0	03h
XOR(ECC,IECC) =>PO[7...0]	0	0	0	0	0	0	0	0	=00h=>No Error
	L							M	
	S							S	
	B							B	

Internal XOR Calculation between ECC and IECC Values-No Error

ECC P[7...0]	1	1	0	0	0	0	0	0	03h
IECC PI[7...0]	1	1	1	1	0	0	0	0	0Fh
XOR(ECC,IECC) =>PO[7...0]	0	0	1	1	0	0	0	0	=0Ch=> Error
	L							M	
	S							S	
	B							B	

Internal XOR Calculation between ECC and IECC Values- Error

The received Error Correction Code (ECC) can be 00h when the Error Correction Code (ECC) functionality is not used for data values D[23...0] on the transmitter side.

The number of the errors (one or more) can be defined when the value of the PO[7...0] is compared to values on the following table.

Data Bit	PO7	PO6	PO5	PO4	PO3	PO2	PO1	PO0	Hex
D[0]	0	0	0	0	0	1	1	1	07h
D[1]	0	0	0	0	1	0	1	1	0Bh
D[2]	0	0	0	0	1	1	0	1	0Dh
D[3]	0	0	0	0	1	1	1	0	0Eh
D[4]	0	0	0	1	0	0	1	1	13h
D[5]	0	0	0	1	0	1	0	1	15h
D[6]	0	0	0	1	0	1	1	0	16h
D[7]	0	0	0	1	1	0	0	1	19h
D[8]	0	0	0	1	1	0	1	0	1Ah
D[9]	0	0	0	1	1	1	0	0	1Ch
D[10]	0	0	1	0	0	0	1	1	23h
D[11]	0	0	1	0	0	1	0	1	25h
D[12]	0	0	1	0	0	1	1	0	26h
D[13]	0	0	1	0	1	0	0	1	29h
D[14]	0	0	1	0	1	0	1	0	2Ah
D[15]	0	0	1	0	1	1	0	0	2Ch
D[16]	0	0	1	1	0	0	0	1	31h
D[17]	0	0	1	1	0	0	1	0	32h
D[18]	0	0	1	1	0	1	0	0	34h
D[19]	0	0	1	1	1	0	0	0	38h
D[20]	0	0	0	1	1	1	1	1	1Fh
D[21]	0	0	1	0	1	1	1	1	2Fh
D[22]	0	0	1	1	0	1	1	1	37h
D[23]	0	0	1	1	1	0	1	1	3Bh

One error is detected if the value of the PO[7...0] is on : One Bit Error Value of the Error Correction Code (ECC) and the receiver can correct this one bit error because this found value also defines what is a location of the corrupt bit e.g.

- PO[7...0] = 0Eh
- The bit of the data (D[23...0]), what is not correct, is D[3]

More than one error is detected if the value of the PO[7...0] is not on: One Bit Error Value of the Error Correction Code (ECC) e.g. PO[7...0] = 0Ch.

8.7.2.3.1.4 Packet Data (PD) on the Long Packet (LPa)

Packet Data (PD) of the Long Packet (LPa) is defined after Packet Header (PH) of the Long Packet (LPa). The number of the data bytes is defined on chapter “Word Count (WC) on the Long Packet (LPa)”.

8.7.2.3.1.5 Packet Footer (PF) on the Long Packet (LPa)

Packet Footer (PF) of the Long Packet (LPa) is defined after the Packet Data (PD) of the Long Packet (LPa). The Packet Footer (PF) is a checksum value what is calculated from the Packet Data of the Long Packet (LPa).

The checksum is using a 16-bit Cyclic Redundancy Check (CRC) value which is generated with a polynomial $X^{16}+X^{12}+X^5+X^0$ as it is illustrated below.

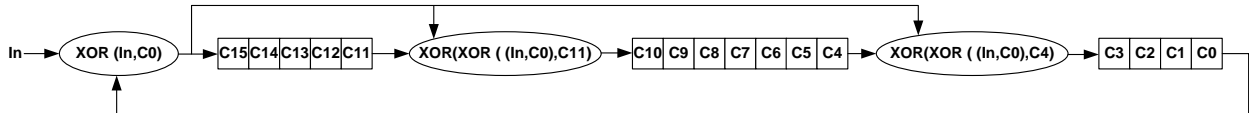
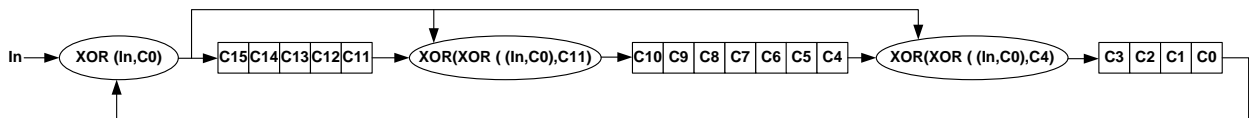


Figure 58 16-bit Cyclic Redundancy Check (CRC) Calculation

The 16-bit Cyclic Redundancy Check (CRC) generator is initialized to FFFFh before calculations. The Least Significant Bit (LSB) of the data byte of the Packet Data (PD) is the first bit what is inputted into the 16-bit Cyclic Redundancy Check (CRC).

An example of the 16-bit Cyclic Redundancy Check (CRC), where the Packet Data (PD) of the Long Packet (LPa) is 01h, is illustrated (step-by-step) below.



Step	In	XOR(In,C0)	C15	C14	C13	C12	C11	XOR(XOR(In,C0),C11(Step-1))	C10	C9	C8	C7	C6	C5	C4	XOR(XOR(In,C0),C4(Step-1))	C3	C2	C1	C0	C0
0	X	X	1	1	1	1	1	X	1	1	1	1	1	1	1	X	1	1	1	1	X
1	1(LSB)	0	0	1	1	1	1	1	1	1	1	1	1	1	1	1	1	1	1	1	1
2	0	1	1	0	1	1	1	0	0	1	1	1	1	1	1	0	0	1	1	1	1
3	0	1	1	1	0	1	1	0	0	0	1	1	1	1	1	0	0	0	1	1	1
4	0	1	1	1	1	0	1	0	0	0	0	1	1	1	1	0	0	0	0	1	1
5	0	1	1	1	1	1	0	0	0	0	0	0	1	1	1	0	0	0	0	0	0
6	0	0	0	0	1	1	1	0	0	0	0	0	0	1	1	1	1	0	0	0	0
7	0	0	0	0	1	1	1	1	1	0	0	0	0	0	0	1	1	1	0	0	0
8	0(MSB)	0	0	0	0	1	1	1	1	1	0	0	0	0	0	1	1	1	1	0	0
1 Byte		CRC Result	0	0	0	1	1		1	1	0	0	0	0	0		1	1	1	0	
			LSB															LSB			

Figure 59 CRC Calculation – Packet Data (PD) is 01h

A value of the Packet Footer (PF) is 1E0Eh in this example. This example (Command 01h has been sent) is illustrated below.

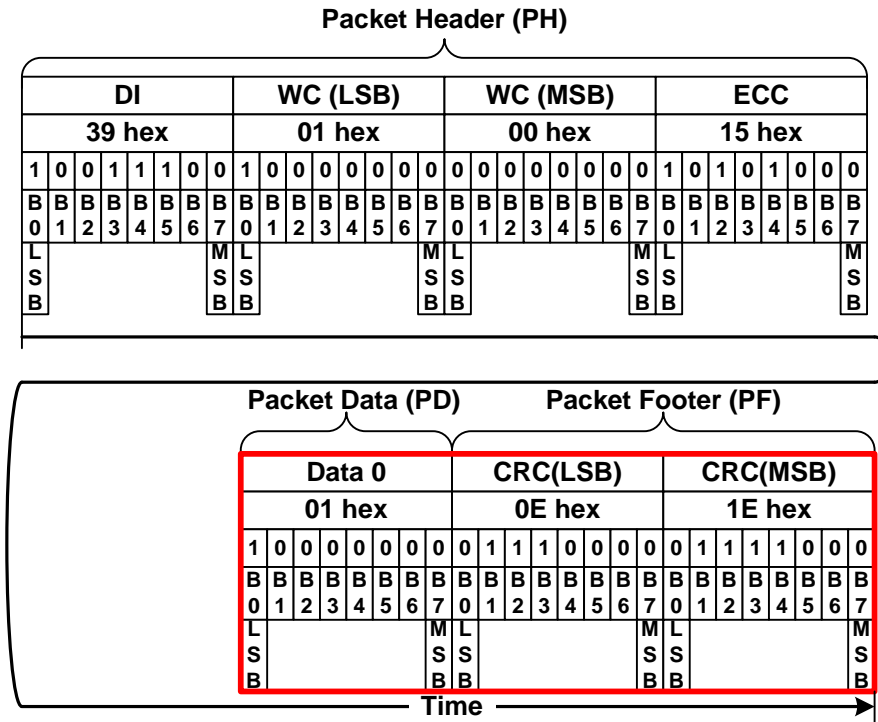


Figure 60 Packet Footer (PF) Example

The receiver is calculated own checksum value from received Packet Data (PD). The receiver compares own checksum and the Packet Footer (PF) what the transmitter has sent.

The received Packet Data (PD) and Packet Footer (PF) are correct if the own checksum of the receiver and Packet Footer (PF) are equal and vice versa the received Packet Data (PD) and Packet Footer (PF) are not correct if the own checksum of the receiver and Packet Footer (PF) are not equal.

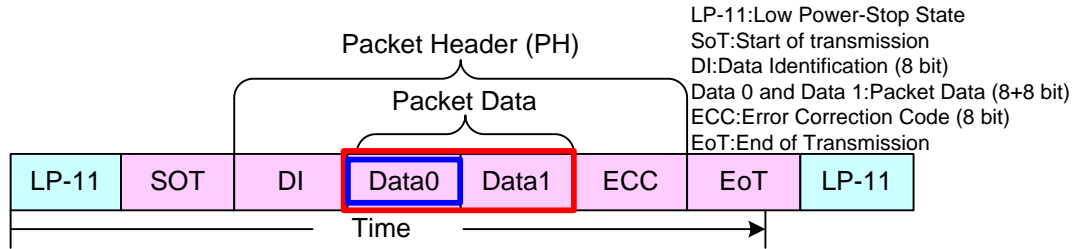
8.7.2.3.2 Packet Transmissions

8.7.2.3.2.1 Packet from the MCU to the Display Module

Display Command Set (DCS)

Display Command Set (DCS), which is defined on chapter “9 Instruction Description”, is used from the MCU to the display module. This Display Command Set (DCS) is always defined on the Data 0 of the Packet Data (PD), which is included in Short Packet (SPa) and Long packet (LPa) as these are illustrated below.

Short Packet



Long Packet:

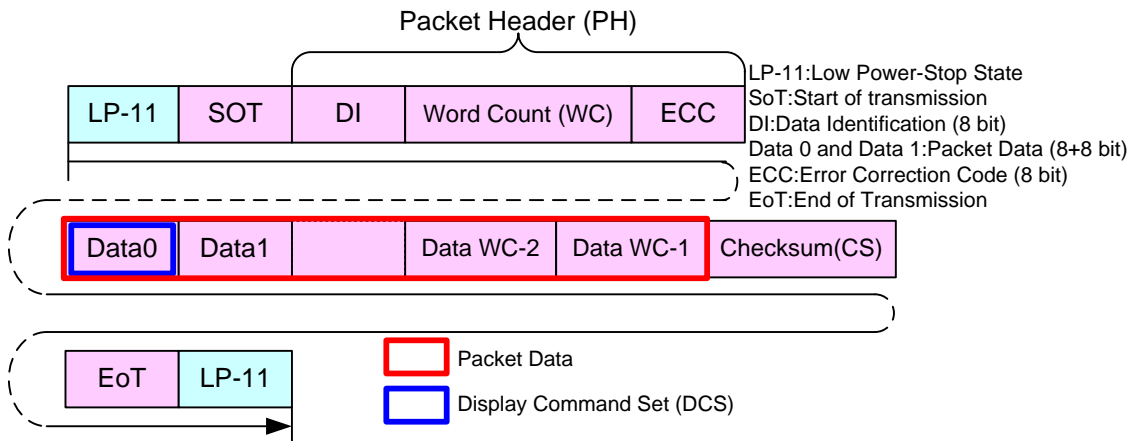


Figure 61 Display Command Set (DCS) on Short Packet (SPa) and Long Packet (LPa)

Generic Write, 1 Parameter (GENW1-S), Data Type = 01 0011 (13h)

“Generic Write, 1 Parameter” (GENW1-S) is always using a Short Packet (SPa), what is defined on Data Type (DT, 01 0011b), from the MCU to the display module. The content of 2 payload bytes is “command” and 00h.

These commands are defined on a table (See chapter “9 Instruction Description”) below

Command
NOP (00h)
SWRESET (01h)
SLPIN (10H)
SLPOUT (11h)
PTLON (12h)
NORON (13h)
INVOFF (20h)
INVON (21h)
ALLPOFF (22h)
ALLPON (23h)
DISPOFF (28h)
DISPON (29h)
IDMOFF (38h)
IDMON (39h)

Short Packet (SPa) is defined e.g.

- Data Identification (DI)
 - Virtual Channel (VC, DI[7...6]): 00b
 - Data Type (DT, DI[5...0]): 01 0011b
- Packet Data (PD)
 - Data 0: “Sleep In (10h)”, Display Command Set (DCS)
 - Data 1: Always 00hex
- Error Correction Code (ECC)

This is defined on the Short Packet (SPa) as follows.

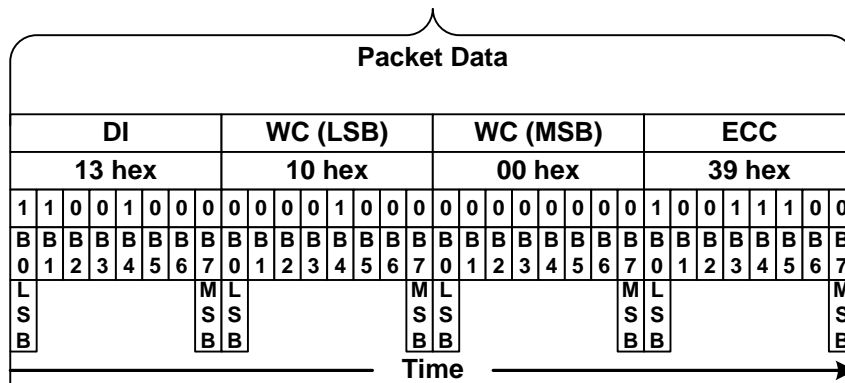


Figure 62 Generic Write,1 Parameter (GENW1-S)-Example

Generic Write, 2 Parameter (GENW2-S), Data Type = 10 0011 (23h)

“Generic Write, 2 Parameter” (GENW2-S) is always using a Short Packet (SPa), what is defined on Data Type (DT, 10 0011b), from the MCU to the display module. The content of 2 payload bytes is “command” and “parameter”. These commands are defined on a table (See chapter “6 Instruction Description”) below.

Command
GAMSET (26h)
COLMOD (3Ah)
WRDISBV (51h)
WRCTRLD (53h)
WRCABC (55h)
WRCABCMB (5Eh)

Short Packet (SPa) is defined e.g.

- Data Identification (DI)
 - Virtual Channel (VC, DI[7...6]): 00b
 - Data Type (DT, DI[5...0]): 10 0011b
- Packet Data (PD)
 - Data 0: “PMCSET (3Ah)”, Display Command Set (DCS)
 - Data 1: 01hex, Parameter of the DCS
- Error Correction Code (ECC)

This is defined on the Short Packet (SPa) as follows.

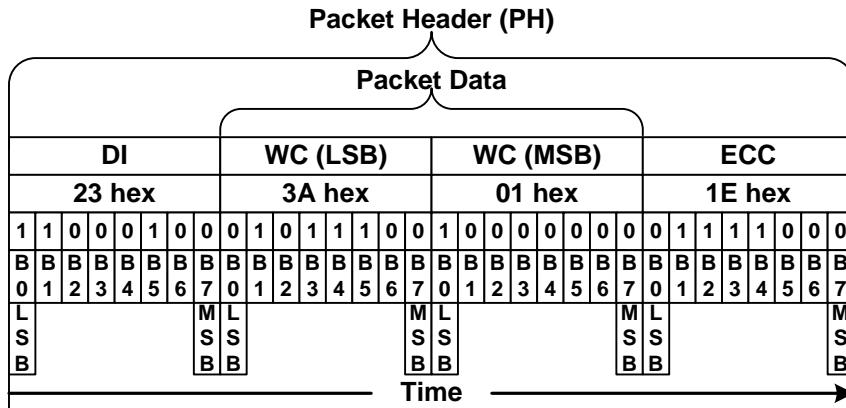


Figure 63 Generic Write, 2 Parameter (GENW2-S) – Example

Generic Write Long (GENW-L) , Data Type = 10 1001 (29h)

“Generic Write Long” (GENW-L) is always using a Long Packet (LPa), what is defined on Data Type (DT, 10 1001b), from the MCU to the display module. Command (No Parameters) and Write (1 or more parameters), are defined on a table (See chapter “6 Instruction Description”) below.

Command		
NOP (00h) , Note1	INVON (21h) , Note1	IDMOFF (38h) , Note1
SWRESET (01h) , Note1	ALLPOFF (22h)	IDMON (39h) , Note1
SLPIN (10H) , Note1	ALLPON (23h)	COLMOD (3Ah) , Note2
SLPOUT (11h) , Note1	GAMSET (26h) , , Note2	WRDISBV (51h) , Note2
PTLON (12h) , Note1	DISPOFF (28h) , Note1	WRCTRLD (53h) , Note2
NORON (13h) , Note1	DISPON (29h) , Note1	WRCABC (55h) , Note2
INVOFF (20h) , Note1	PARLINES (C5h)	WRCABCMB (5E) , Note2

Notes : 1. Also Short Packet (SPa) can be used; See Generic Write, 1 Parameter.
 2. Also Short Packet (SPa) can be used; See Generic Write, 2 Parameter.c

Long Packet (LPa), when a command (No Parameter) was sent, is defined e.g.

- Data Identification (DI)
 - Virtual Channel (VC, DI[7...6]): 00b
 - Data Type (DT, DI[5...0]): 10 1001b
- Word Count (WC)
 - Word Count (WC): 0001h
- Error Correction Code (ECC)
- Packet Data (PD): Data 0: “Sleep In (10h)”, Display Command Set (DCS)
- Packet Footer (PF)

This is defined on the Long Packet (LPa) as follows.

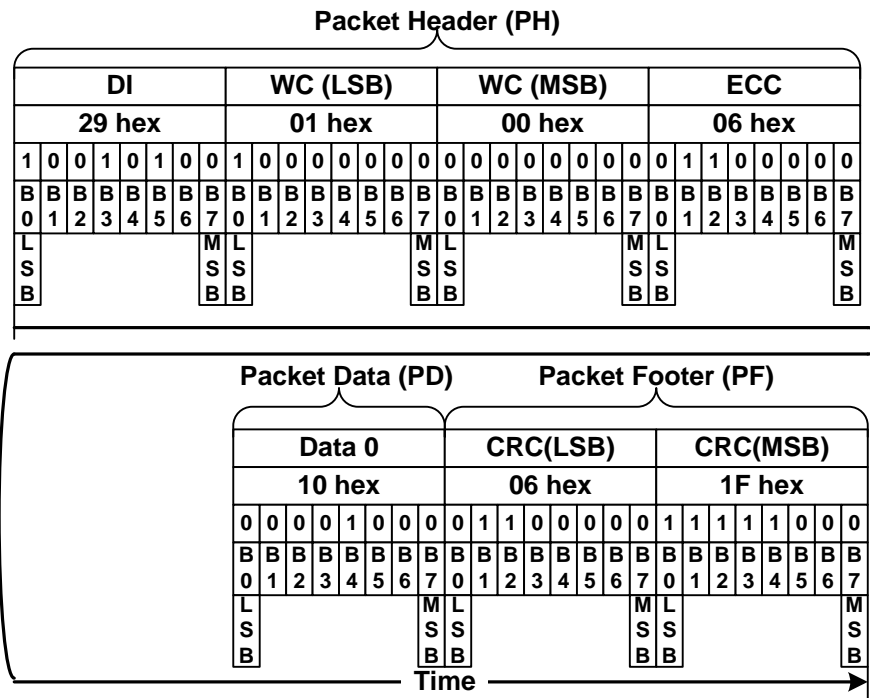


Figure 64 Generic Long Write(GENW-L) with DCS Only – Example

Long Packet (LPa), when a Write (1 parameter) was sent, is defined e.g.

- Data Identification (DI)
 - Virtual Channel (VC, DI[7...6]): 00b
 - Data Type (DT, DI[5...0]): 10 1001b
- Word Count (WC)
 - Word Count (WC): 0002h
- Error Correction Code (ECC)
- Packet Data (PD):
 - Data 0: "Gamma Set (3Ah)", Display Command Set (DCS)
 - Data 1: 01hex, Parameter of the DCS
- Packet Footer (PF)

This is defined on the Long Packet (LPa) as follows.

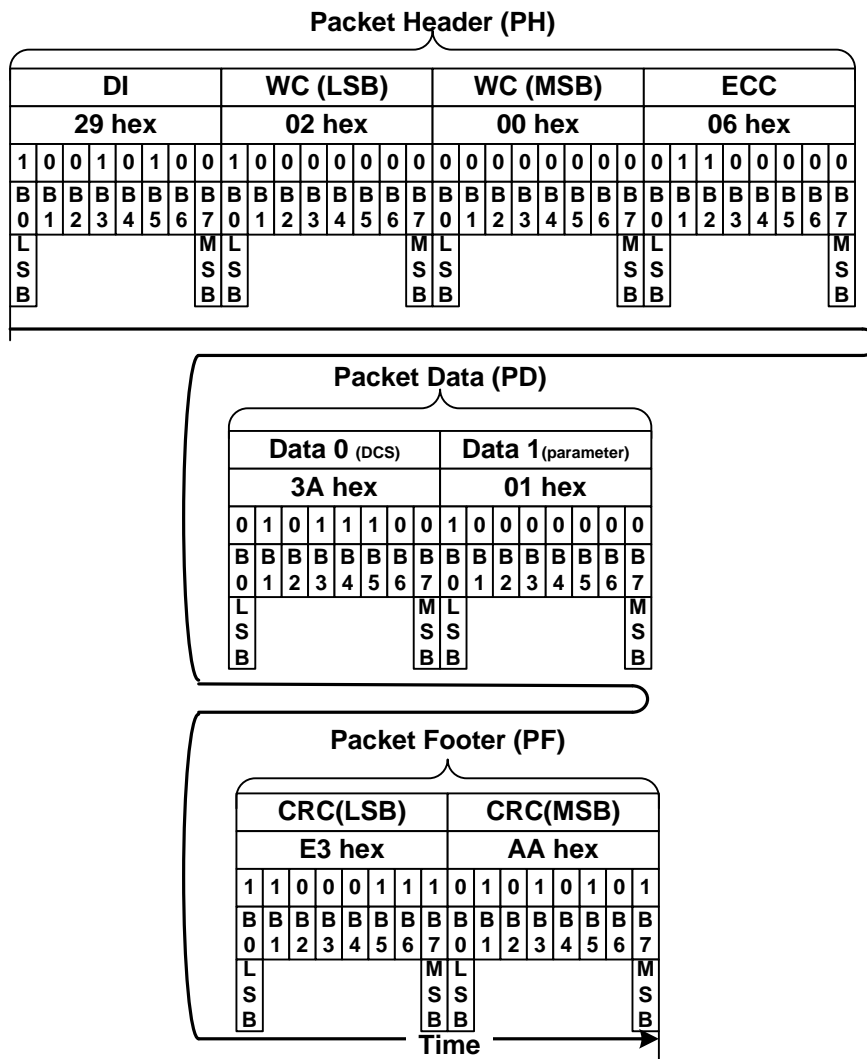


Figure 65 Generic Long Write (GENW-L) with DCS and 1 Parameter-Example

Long Packet (Lpa), when a Write (4 parameters) was sent, is defined e.g.

- Data Identification (DI)
 - Virtual Channel (VC, DI[7...6]): 00b
 - Data Type (DT, DI[5...0]): 10 1001b
- Word Count (WC)
 - Word Count (WC): 0005h
- Error Correction Code (ECC)
- Packet Data (PD):
 - Data 0: "PARLINES (30h)", Display Command Set (DCS)
 - Data 1: 00hex, 1st Parameter of the DCS, Start Column SC[15...8]
 - Data 2: 00hex, 2nd Parameter of the DCS, Start Column SC[7...0]
 - Data 3: 01hex, 3rd Parameter of the DCS, End Column EC[15...8]
 - Data 4: 3Fhex, 4th Parameter of the DCS, End Column EC[7...0]
- Packet Footer (PF)

This is defined on the Long Packet (Lpa) as follows.

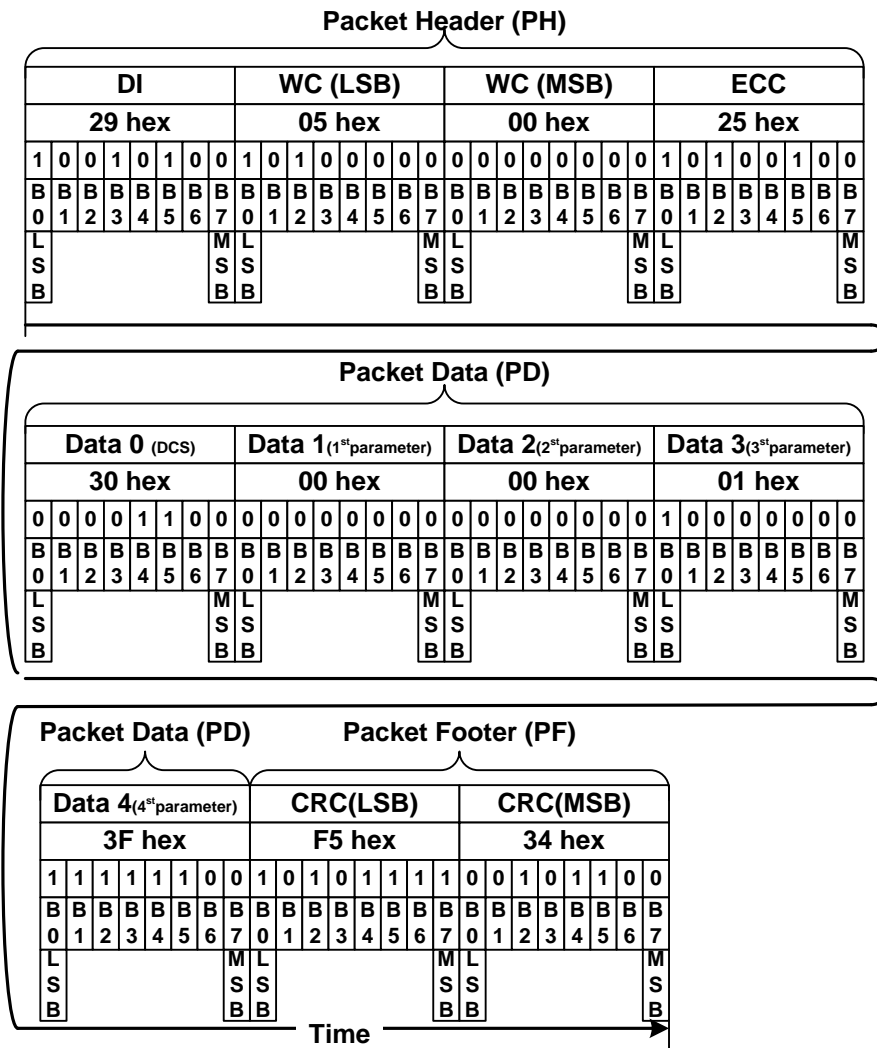


Figure 66 Generic Write Long (GENW-L) with DCS and 4 Parameters-Example

Generic Read, 1 Parameter (GENR1-S) , Data Type = 01 0100 (14h)

“Generic Read, 1 Parameter (GENR1-S) is always using a Short Packet (SPa), what is defined on Data Type (DT,01 0100b), from the MCU to the display module. This command is defined on a table (See chapter “9 Instruction Description”) below.

Command	
RDDID (04h)	RDDSM (0Eh)
RDDNUMED (05h)	RDDSDR (0Fh)
RDRED (06h)	RDDISBV (52h)
RDGREEN (07h)	RDCTRLD (54h)
RDBLUE (08h)	RDCABC (56h)
RDDPM (0Ah)	RDCABCMB (5Fh)
RDDMADCTR (0Bh)	RDID1 (DAh)
RDDCOLMOD (0Ch)	RDID2 (DBh)
RDDIM (0Dh)	RDID3 (DCh)

The MCU has to define to the display module, what is the maximum size of the return packet. A command, what is used for this purpose, is “Set Maximum Return Packet Size” (SMRPS-S), which Data Type (DT) is 11 0111b and which is using Short Packet (SPa) before the MCU can send “Display Command Set (DCS) Read, No Parameter” to the display module. This same sequence is illustrated for reference purposes below.

Step 1:

- The MCU sends “Set Maximum Return Packet Size” (Short Packet (SPa)) (SMRPS-S) to the display module when it wants to return one byte from the display module
- Data Identification (DI)
 - Virtual Channel (VC, DI[7...6]): 00b
 - Data Type (DT, DI[5...0]): 11 0111b
- Maximum Return Packet Size (MRPS)
 - Data 0: 01hex
 - Data 1: 00hex
- Error Correction Code (ECC)

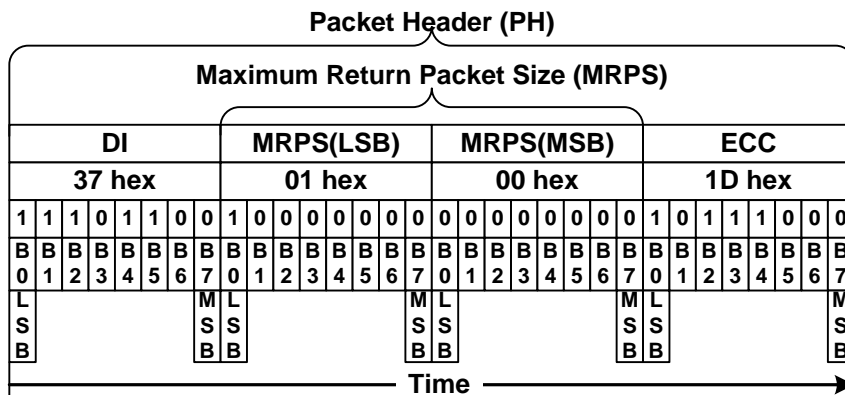


Figure 67 Set Maximum Return Packet Size (SMRPS-S)- Example

Step 2:

- The MCU wants to receive a value of the “Read ID1 (DAh)” from the display module when the MCU sends “Generic Read, 1 Parameter” to the display module
- Data Identification (DI)
 - Virtual Channel (VC, DI[7...6]): 00b
 - Data Type (DT, DI[5...0]): 01 0100b
- Packet Data (PD)
 - Data 0: “Read ID1 (DAh)”, Display Command Set (DCS)
 - Data 1: Always 00hex
- Error Correction Code (ECC)

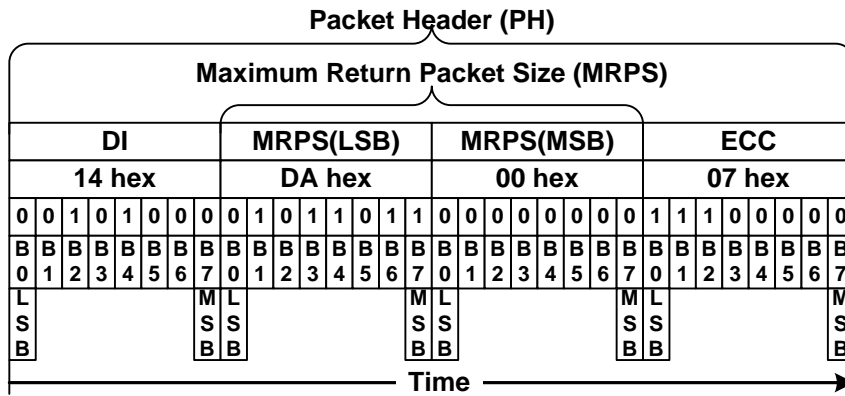


Figure 68 Generic Read, 1 Parameter (GENR1-S) – Example

Step 3: The display module can send 2 different information to the MCU after Bus Turnaround (BTA)

1. An acknowledge with Error Report (AwER), which is using a Short Packet (SPa), if there is an error to receive a command. See section “Acknowledge with Error Report (AwER)”.
2. Information of the received command. Short Packet (SPa) or Long Packet (LPa)

Display Command Set (DCS) Write, No Parameter (DCSWN-S) , Data Type = 00 0101 (05h)

“Display Command Set (DCS) Write, No Parameter” is always using a Short Packet (SPa), what is defined on Data Type (DT, 00 0101b), from the MCU to the display module. These commands are defined on a table (See chapter “9 Instruction Description”) below.

Command	
NOP (00h)	INVON (21h)
SWRESET (01h)	ALLPOFF (22h)
SLPIN (10h)	ALLPON (23h)
SLPOUT (11h)	DISPOFF (28h)
PTLON (12h)	DISPON (29h)
NORON (13h)	IDMOFF (38h)
INVOFF (20h)	IDMON (39h)

Short Packet (SPa) is defined e.g.

- Data Identification (DI)
 - Virtual Channel (VC, DI[7...6]): 00b
 - Data Type (DT, DI[5...0]): 00 0101b
- Packet Data (PD)
 - Data 0: “Sleep In (10h)”, Display Command Set (DCS)
 - Data 1: Always 00hex
- Error Correction Code (ECC)

This is defined on the Short Packet (SPa) as follows.

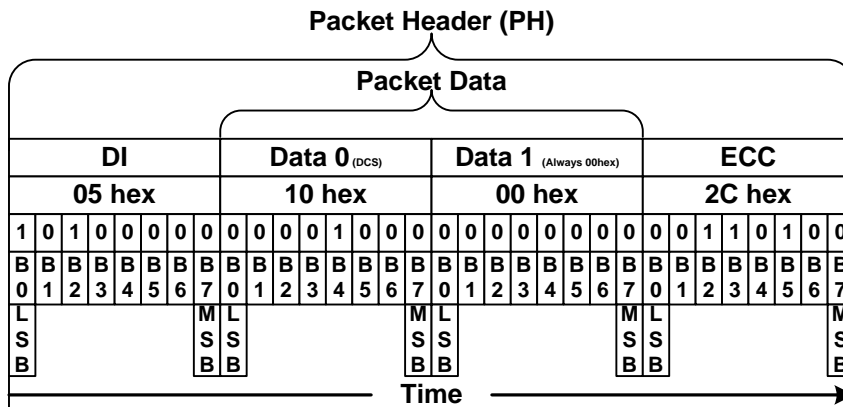


Figure 69 Display Command Set (DCS) Write, No Parameter (DCSWN-S)-Example

Display Command Set (DCS) Write, 1 Parameter (DCSW1-S) , Data Type = 01 0101 (15h)

“Display Command Set (DCS) Write, 1 Parameter” (DCSW1-S) is always using a Short Packet (SPa), what is defined on Data Type (DT, 01 0101b), from the MCU to the display module. These commands are defined on a table (See chapter “9 Instruction Description”) below.

Command
GAMSET (26h)
COLMOD (3Ah)
WRDISBV (51h)
WRCTRLD (53h)
WRCABC (55h)
WRCABCMB (5Eh)

Short Packet (SPa) is defined e.g.

- Data Identification (DI)
 - Virtual Channel (VC, DI[7...6]): 00b
 - Data Type (DT, DI[5...0]): 01 0101b
- Packet Data (PD)
 - Data 0: “PMCSET (3Ah)”, Display Command Set (DCS)
 - Data 1: 01hex, Parameter of the DCS
- Error Correction Code (ECC)

This is defined on the Short Packet (SPa) as follows.

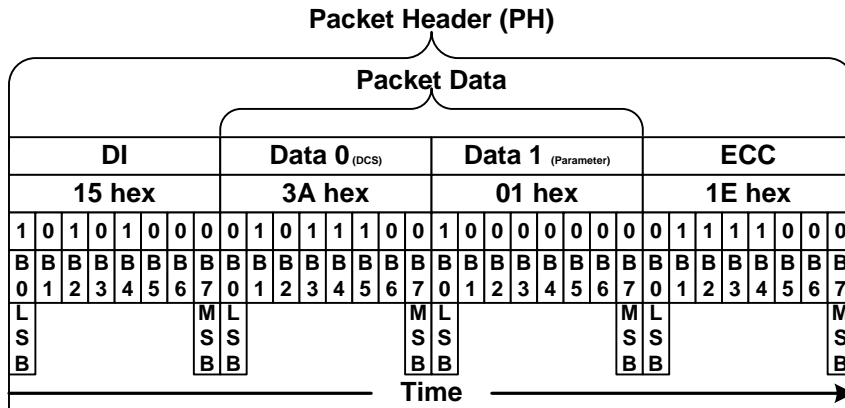


Figure 70 Display Command Set (DCS) Write,1 Parameter (DCSW1-S)-Example

Display Command Set (DCS) Write Long (DCSW-L) , Data Type = 11 1001 (39h)

“Display Command Set (DCS) Write Long” (DCSW-L) is always using a Long Packet (LPa), what is defined on Data Type (DT, 11 1001b), from the MCU to the display module. Command (No Parameters) and Write (1 or more parameters), are defined on a table (See chapter “9 Instruction Description”) below

Command		
NOP (00h) , Note1	INVON (21h) , Note1	COLMOD (3Ah) , Note2
SWRESET (01h) , Note1	GAMSET (26h) , Note2	WRDISBV (51h) , Note2
SLPIN (10h) , Note1	DISPOFF (28h) , Note1	WRCTRLD (53h)
SLPOUT (11h) , Note1	DISPON (29h), Note1	WRCABC (55h) , Note2
PTLON (12h) , Note1	PARLINES (30h)	WRCABCMB (5Eh)
NORON (13h), Note1	IDMOFF (38h) , Note1	
INVOFF (20h), Note1	IDMON (39h) , Note1	

Notes : 1. Also Short Packet (SPa) can be used; See Display Command Set (DCS) Write, No Parameter.

2. Also Short Packet (SPa) can be used; See Display Command Set (DCS) Write, 1 Parameter.

Long Packet (LPa), when a command (No Parameter) was sent, is defined e.g.

- Data Identification (DI)
 - Virtual Channel (VC, DI[7...6]): 00b
 - Data Type (DT, DI[5...0]): 11 1001b
- Word Count (WC)
 - Word Count (WC): 0001h
- Error Correction Code (ECC)
- Packet Data (PD): Data 0: “Sleep In (10h)”, Display Command Set (DCS)
- Packet Footer (PF)

This is defined on the Short Packet (SPa) as follows.

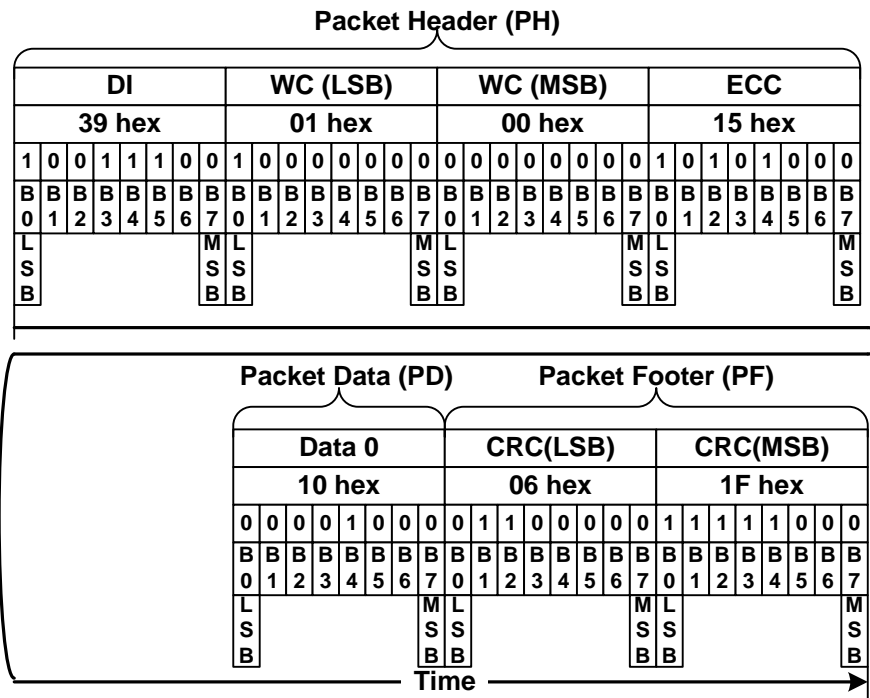


Figure 71 Display Command Set (DCS) Write Long (DCSW-L) with DCS Only-Example

Long Packet (LPa), when a Write (1 parameter) was sent, is defined e.g.

- Data Identification (DI)
 - Virtual Channel (VC, DI[7...6]): 00b
 - Data Type (DT, DI[5...0]): 11 1001b
- Word Count (WC)
 - Word Count (WC): 0002h
- Error Correction Code (ECC)
- Packet Data (PD):
 - Data 0: "Gamma Set (26h)", Display Command Set (DCS)
 - Data 1: 01hex, Parameter of the DCS
- Packet Footer (PF)

This is defined on the Short Packet (SPa) as follows

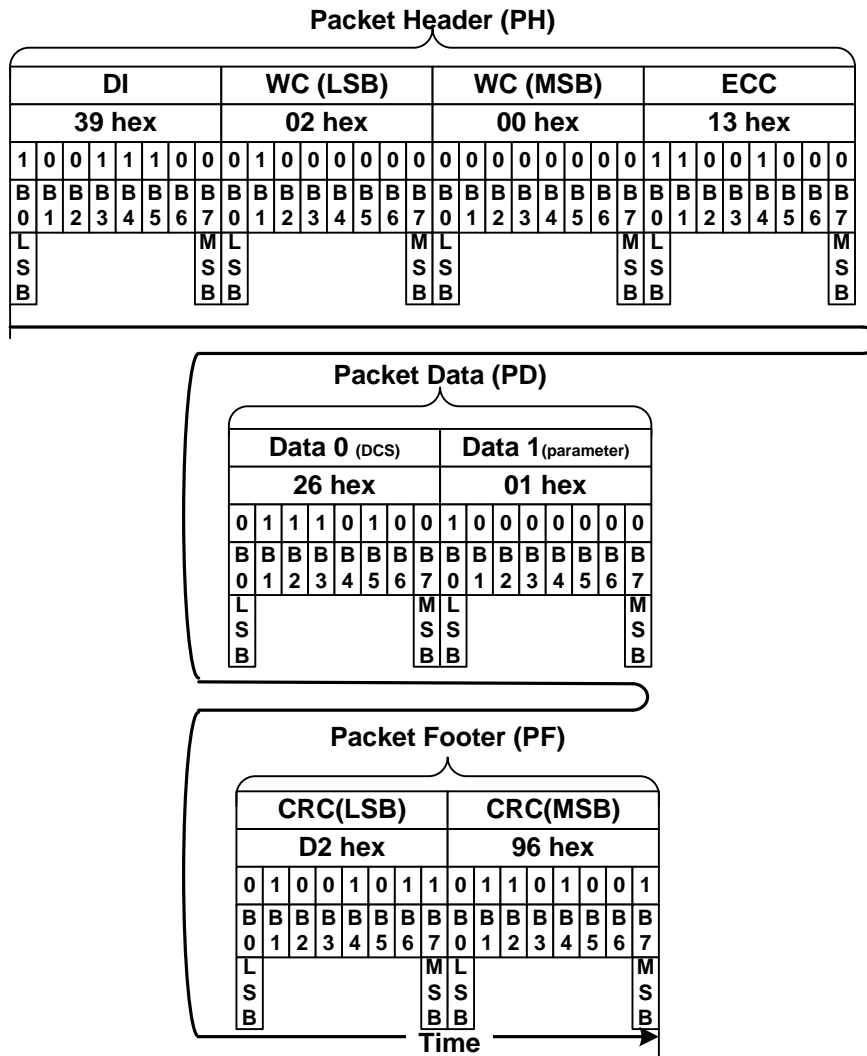


Figure 72 Display Command Set (DCS) Write Long with DCS and 1 Parameter-Example

Long Packet (LPa), when a Write (4 parameters) was sent, is defined e.g.

- Data Identification (DI)
 - Virtual Channel (VC, DI[7...6]): 00b
 - Data Type (DT, DI[5...0]): 11 1001b
- Word Count (WC)
 - Word Count (WC): 0005h
- Error Correction Code (ECC)
- Packet Data (PD):
 - Data 0: "PARLINES (30h)", Display Command Set (DCS)
 - Data 1: 00hex, 1st Parameter of the DCS, Start Column SC[15...8]
 - Data 2: 00hex, 2nd Parameter of the DCS, Start Column SC[7...0]
 - Data 3: 01hex, 3rd Parameter of the DCS, End Column EC[15...8]
 - Data 4: 3Fhex, 4th Parameter of the DCS, End Column EC[7...0]
- Packet Footer (PF)

This is defined on the Short Packet (SPa) as follows.

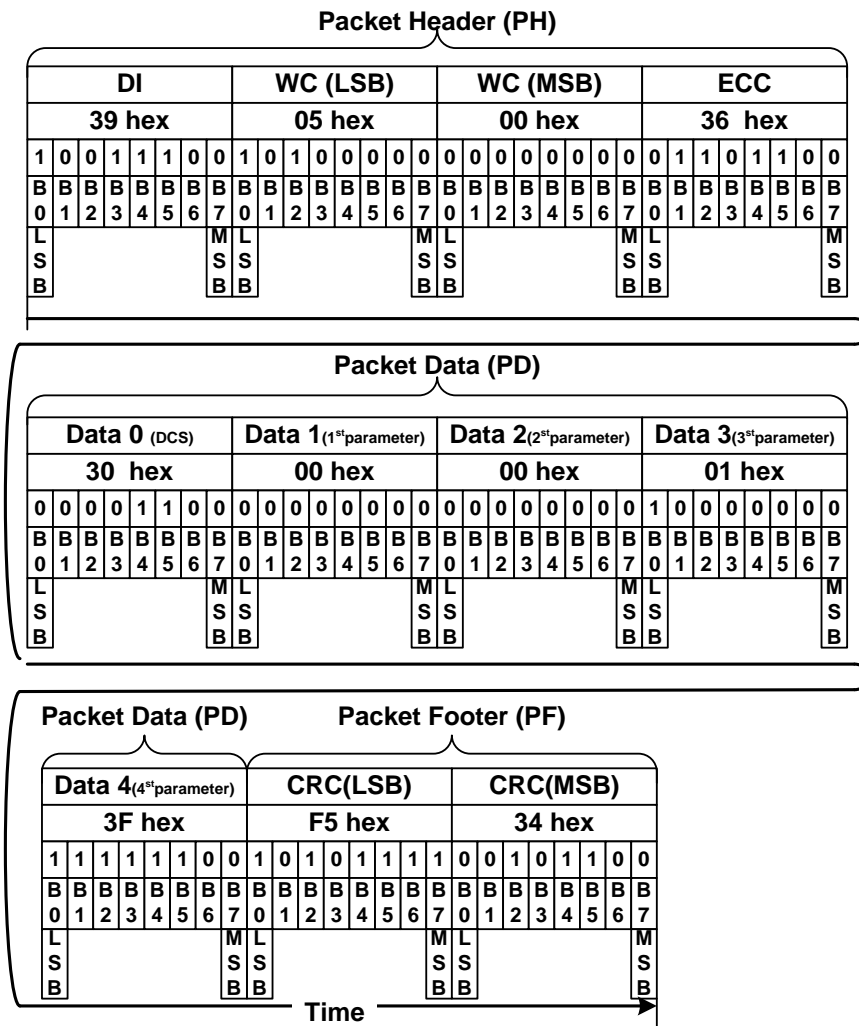


Figure 73 Display Command Set (DCS) Write Long with DCS and 4 Parameters-Example

Display Command Set (DCS) Read, No Parameter (DCSRN-S), Data Type = 00 0110 (06h)

“Display Command Set (DCS) Read, No Parameter” (DCSRN-S) is always using a Short Packet (SPa), what is defined on Data Type (DT, 00 0110b), from the MCU to the display module. These commands are defined on a table (See chapter “9 Instruction Description”) below.

Command	
RDDID (04h)	RDDSM (0Eh)
RDDNUMED (05h)	RDDSDR (0Fh)
RDRED (06h)	RDDISBV (52h)
RDGREEN (07h)	RDCTRLD (54h)
RDBLUE (08h)	RDCABC (56h)
RDDPM (0Ah)	RDCABCMB (5Fh)
RDDMADCTR (0Bh)	RDID1 (DAh)
RDDCOLMOD (0Ch)	RDID2 (DBh)
RDDIM (0Dh)	RDID3 (DCh)

The MCU has to define to the display module, what is the maximum size of the return packet. A command, what is used for this purpose, is “Set Maximum Return Packet Size” (SMRPS-S), which Data Type (DT) is 11 0111b and which is using Short Packet (SPa) before the MCU can send “Display Command Set (DCS) Read, No Parameter” to the display module. This same sequence is illustrated for reference purposes below.

Step 1:

- The MCU sends “Set Maximum Return Packet Size” (Short Packet (SPa)) (SMRPS-S) to the display module when it wants to return one byte from the display module
- Data Identification (DI)
 - Virtual Channel (VC, DI[7...6]): 00b
 - Data Type (DT, DI[5...0]): 11 0111b
- Maximum Return Packet Size (MRPS)
 - Data 0: 01hex
 - Data 1: 00hex
- Error Correction Code (ECC)

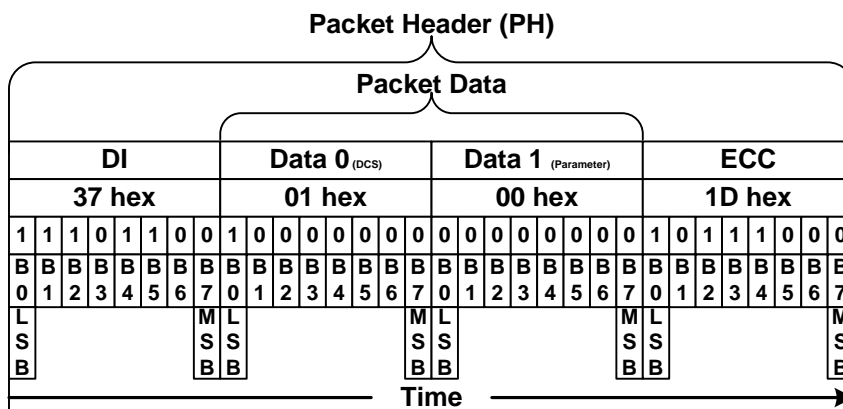


Figure 74 Set Maximum Return Packet Size (SMRPS-S) - Example

Step 2:

- The MCU wants to receive a value of the “Read ID1 (DAh)” from the display module when the MCU sends “Display Command Set (DCS) Read, No Parameter” to the display module
- Data Identification (DI)
 - Virtual Channel (VC, DI[7...6]): 00b
 - Data Type (DT, DI[5...0]): 00 0110b
- Packet Data (PD)
 - Data 0: “Read ID1 (DAh)”, Display Command Set (DCS)
 - Data 1: Always 00hex
- Error Correction Code (ECC)

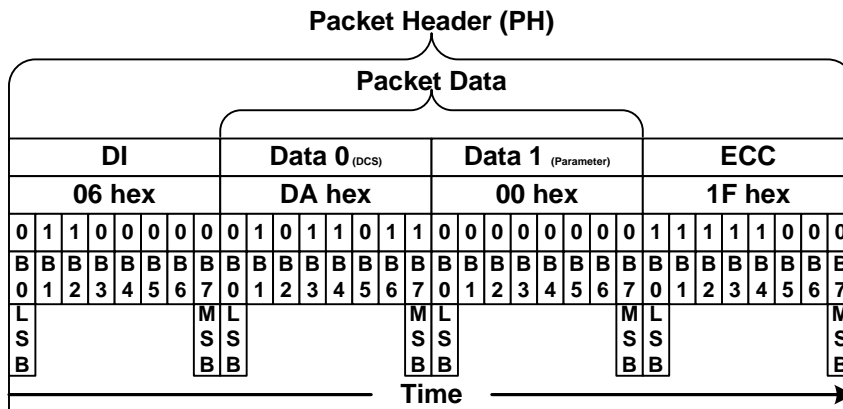


Figure 75 Display Command Set (DCS) Read, No Parameter (DCSRN-S) – Example

Step 3: The display module can send 2 different information to the MCU after Bus Turnaround (BTA)

1. An acknowledge with Error Report (AwER), which is using a Short Packet (SPa), if there is an error to receive a command. See section “Acknowledge with Error Report (AwER)”.
2. Information of the received command. Short Packet (SPa) or Long Packet (LPa)

End of Transmission Packet (EoTP), Data Type = 00 1000 (08h)

“End of Transmission Packet” (EoTP) is always using a Short Packet (SPa), what is defined on Data Type (DT, 001000b), from the MCU to the display module. The purpose of this command is terminated the high speed mode (HPDT) properly when there is added this extra packet after the last payload packet before “End of Transmission” (EoT), which is an interface level functionality.

The MCU can decide if it want to use the “End of Transmission Packet” (EoTP) or not. The ST7701SN has the capability to support both: i.e. If MCU applies the EoTP, it shall report the “DSI Protocol Violation” error when the EoTP is not detected in the high speed (HS). This error reporting can be enable/disable by bit DIS_EoTP_HS of command B100h (page 0).

The display module is or isn’t receiving “End of Transmission Packet” (EoTP) from the MCU during the Low Power Data Transmission (LPDT) mode before “Marked-1” (=leaving Escape mode) what ends the Low Power Data Transmission (LPDT) mode.

The display module is not allowed to send “End of Transmission Packet” (EoTP) to MCU during the Low Power Data Transmission (LPDT) mode.

The summary of the receiving and transmitting EoTP is listed below.

Direction	Display Module (DM) in High Speed Data Transmission (HPDT)	Display Module (DM) in Low Power Data Transmission (LPDT)
MCU=>Display Driver	With or Without EoTP is Supported	With or Without EoTP is Supported
Display Driver=>MCU	HS Mode is not available (EoTP is not available)	EoTP can not be sent by the Display Driver

Table 17 Receiving and Transmitting EoTP during LPDT

Short Packet (SPa) is using a fixed format as follow

- Data Identification (DI)
 - Virtual Channel (VC, DI[7...6]): 00b
 - Data Type (DT, DI[5...0]): 00 1000b
- Packet Data (PD):
 - Data 0: 0Fh
 - Data 1: 0Fh
- Error Correction Code (ECC)
- ECC: 01h

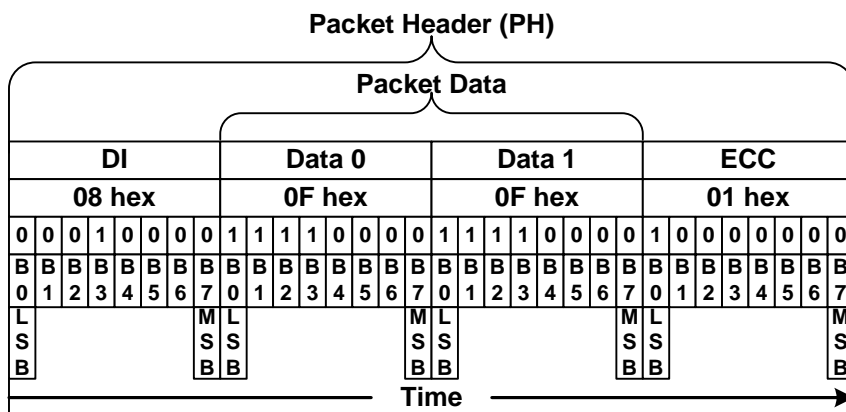


Figure 77 End of Transmission Packet (EoTP)

Some use case of the “End of Transmission Packet” (EoTP) are illustrated only for reference purpose below.

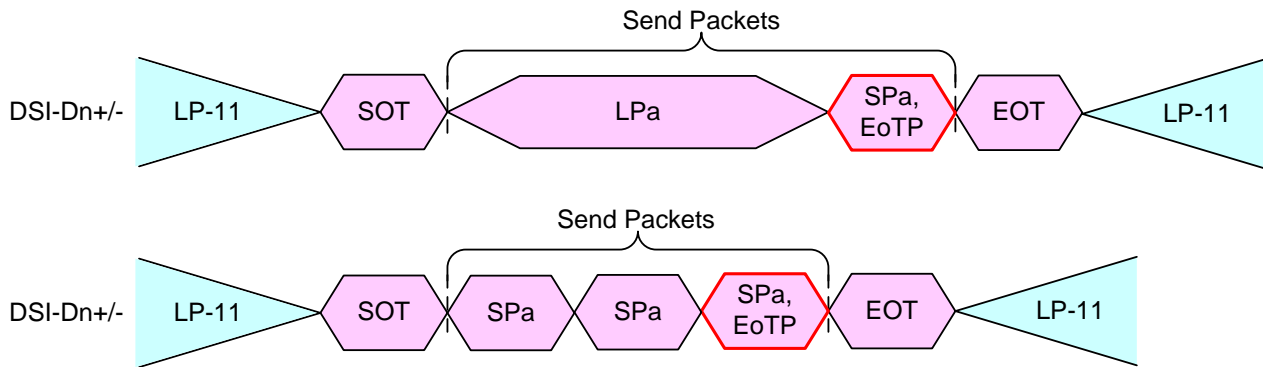


Figure 78 End of Transmission Packet (EoTP)-Example

Sync Event (H Start, H End, V Start, V End), Data Type = xx 0001 (x1h)

Sync Events are Short packets and, therefore, can time-accurately represent events like the start and end of sync pulses. As “start” and “end” are separate and distinct events, the length of sync pulses, as well as position relative to active pixel data, e.g. front and back porch display timing, may be accurately conveyed to the peripheral. The Sync Events are defined as follows:

- Data Type = 00 0001 (01h) V Sync Start
- Data Type = 01 0001 (11h) V Sync End
- Data Type = 10 0001 (21h) H Sync Start
- Data Type = 11 0001 (31h) H Sync End

In order to represent timing information as accurately as possible a V Sync Start event represents the start of the VSA and also implies an H Sync Start event for the first line of the VSA. Similarly, a V Sync End event implies an H Sync Start event for the last line of the VSA..

Sync events should occur in pairs, Sync Start and Sync End, if accurate 1054 pulse-length information needs to be conveyed. Alternatively, if only a single point (event) in time is required, a single sync event (normally, Sync Start) may be transmitted to the peripheral. Sync events may be concatenated with blanking packets to convey inter-line timing accurately and avoid the overhead of switching between LPS and HS for every event. Note there is a power penalty for keeping the data line in HS mode, however. Display modules that do not need traditional sync/blanking/pixel timing should transmit pixel data in a high-speed burst then put the bus in Low Power Mode, for reduced power consumption. The recommended burst size is a scan line of pixels, which may be temporarily stored in a line buffer on the display module.

Color Mode On Command, and, Data Type = 01 0010 (12h)

Color Mode On is a Short packet command that switches a Video Mode display module to 8-colors mode for power saving.

Color Mode Off Command, Data Type = 00 0010 (02h)

Color Mode Off is a Short packet command that returns a Video Mode display module from 8-colors mode to normal display operation.

Shutdown Peripheral Command, Data Type = 10 0010 (22h)

Shutdown Peripheral command is a Short packet command that turns off the display in a Video Mode display module for power saving. Note the interface shall remain powered in order to receive the turn-on, or wake-up, command.

Turn On Peripheral Command, Data Type = 11 0010 (32h)

Turn On Peripheral command is Short packet command that turns on the display in a Video Mode display module for normal display operation.

Blanking Packet (Long), Data Type = 01 1001 (19h)

A Blanking packet is used to convey blanking timing information in a Long packet. Normally, the packet represents a period between active scan lines of a Video Mode display, where traditional display timing is provided from the host processor to the display module. The blanking period may have Sync Event packets interspersed between blanking segments. Like all packets, the Blanking packet contents shall be an integer number of bytes. Blanking packets may contain arbitrary data as payload. The Blanking packet consists of the DI byte, a two-byte WC, an ECC byte, a payload of length WC bytes, and a two-byte checksum.

Packed Pixel Stream, 16-bit Format, Long packet, Data Type = 00 1110 (0Eh)

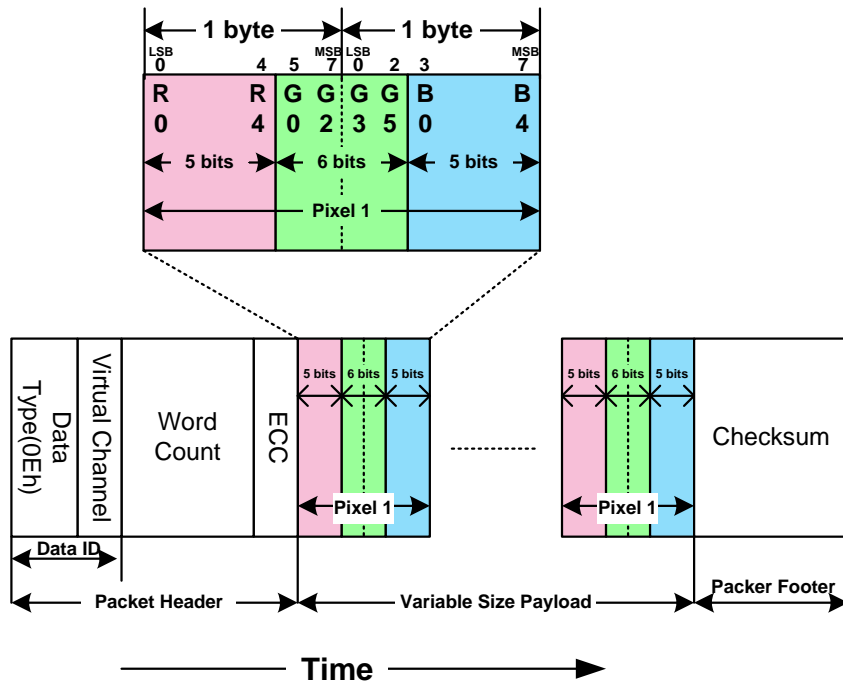


Figure 79 16-bit per Pixel-RGB Color Format, Long packet

Packed Pixel Stream 16-Bit Format is a Long packet used to transmit image data formatted as 16-bit pixels to a Video Mode display module. The packet consists of the DI byte, a two-byte WC, an ECC byte, a payload of length WC bytes and a two-byte checksum. Pixel format is five bits red, six bits green, five bits blue, in that order. Note that the “Green” component is split across two bytes. Within a color component, the LSB is sent first, the MSB last.

With this format, pixel boundaries align with byte boundaries every two bytes. The total line width (displayed plus non-displayed pixels) should be a multiple of two bytes.

Normally, the display module has no frame buffer of its own, so all image data shall be supplied by the host processor at a sufficiently high rate to avoid flicker or other visible artifacts.

Packed Pixel Stream, 18-bit Format, Long packet, Data type = 01 1110 (1Eh)

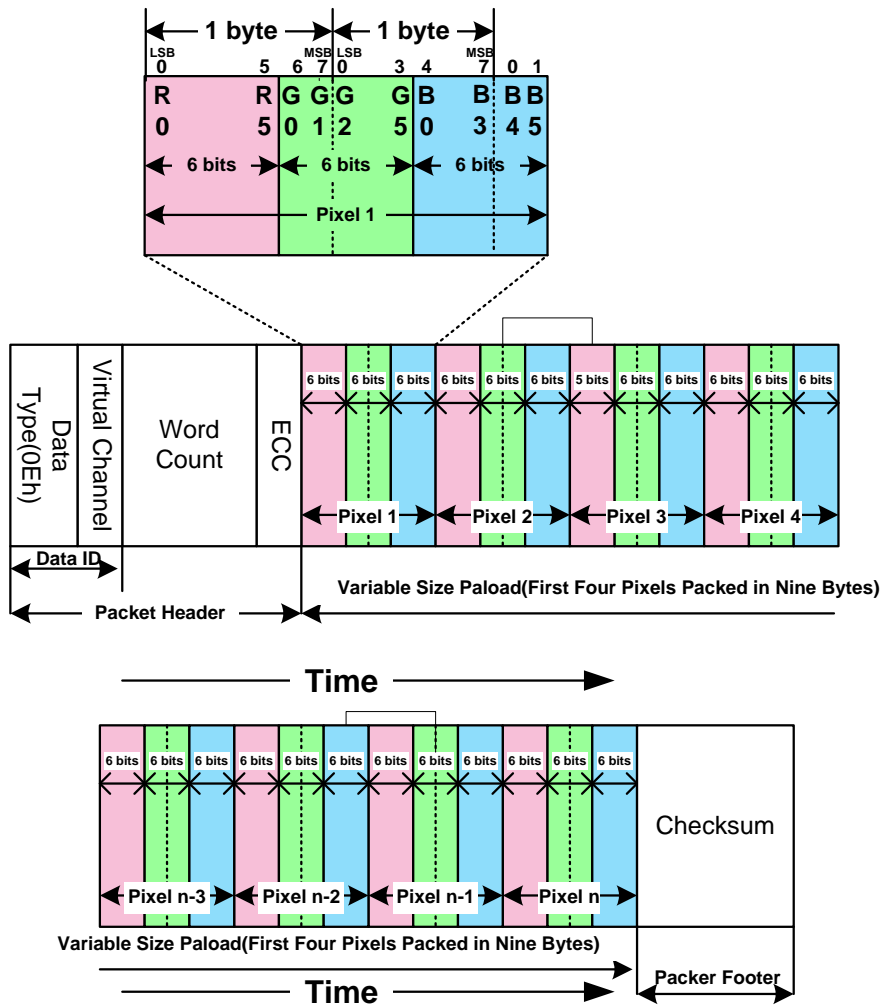


Figure 80 18-bit per Pixel-RGB Color Format, Long pack

Packed Pixel Stream 18-Bit Format (Packed) is a Long packet. It is used to transmit RGB image data formatted as pixels to a Video Mode display module that displays 18-bit pixels. The packet consists of the DI byte, a two-byte WC, an ECC byte, a payload of length WC bytes and a two-byte Checksum. Pixel format is red (6 bits), green (6 bits) and blue (6 bits), in that order. Within a color component, the LSB is sent first, the MSB last.

Note that pixel boundaries only align with byte boundaries every four pixels (nine bytes). Preferably, display modules employing this format have a horizontal extent (width in pixels) evenly divisible by four, so no partial bytes remain at the end of the display line data. If the active (displayed) horizontal width is not a multiple of four pixels, the transmitter shall send additional fill pixels at the end of the display line to make the transmitted width a multiple of four pixels. The receiving peripheral shall not display the fill pixels when refreshing the display device. For example, if a display device has an active display width of 399 pixels, the transmitter should send 400 pixels in one or more packets. The receiver should display the first 399 pixels and discard the last pixel of the transmission.

With this format, the total line width (displayed plus non-displayed pixels) should be a multiple of four pixels (nine bytes).

Pixel Stream, 18-bit Format in Three Bytes, Long packet, Data Type = 101110 (2Eh)

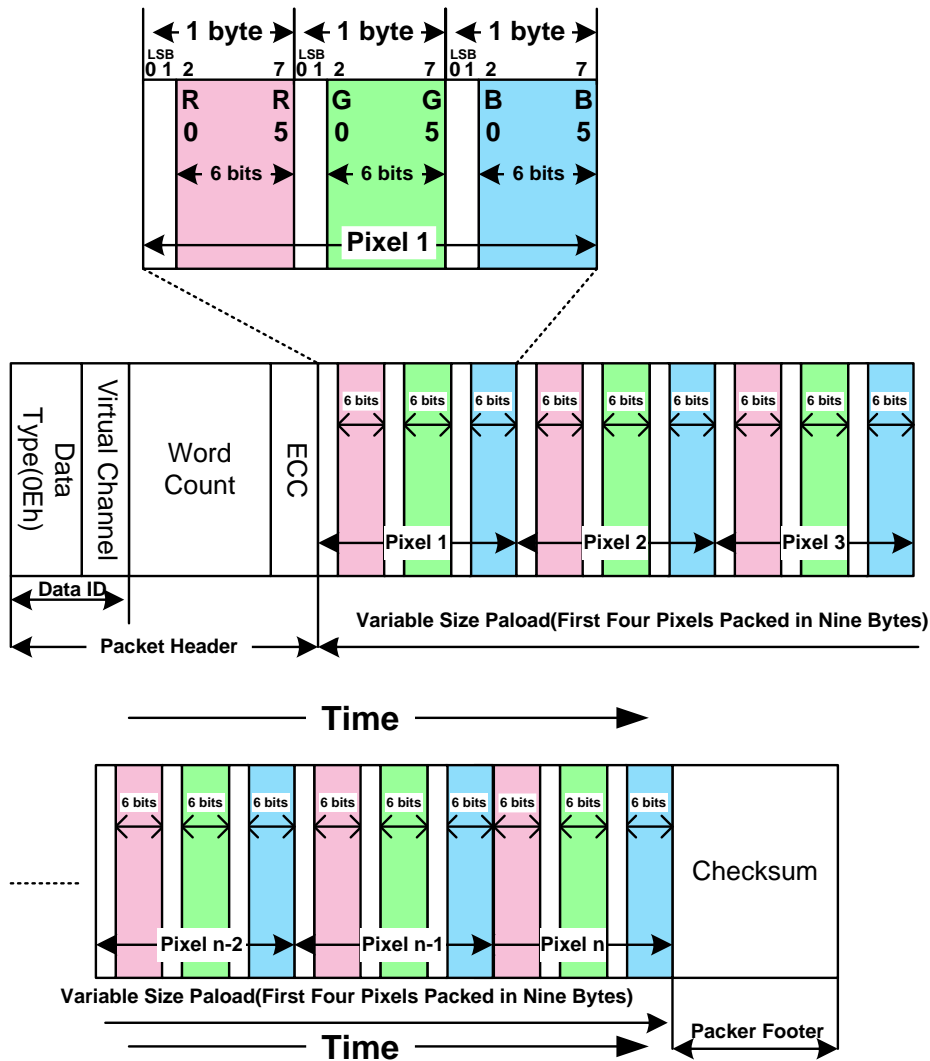


Figure 81 18-bit per Pixel (Loosely Packed)-RGB Color Format, Long pack

In the 18-bit Pixel Loosely Packed format, each R, G, or B color component is six bits but is shifted to the upper bits of the byte, such that the valid pixel bits occupy bits [7:2] of each byte. Bits [1:0] of each payload byte representing active pixels are ignored. As a result, each pixel requires three bytes as it is transmitted across the Link. This requires more bandwidth than the “packed” format, but requires less shifting and multiplexing logic in the packing and unpacking functions on each end of the Link.

This format is used to transmit RGB image data formatted as pixels to a Video Mode display module that displays 18-bit pixels. The packet consists of the DI byte, a two-byte WC, an ECC byte, a payload of length WC bytes and a two-byte Checksum. The pixel format is red (6 bits), green (6 bits) and blue (6 bits) in that order. Within a color component, the LSB is sent first, the MSB last.

With this format, pixel boundaries align with byte boundaries every three bytes. The total line width (displayed plus non-displayed pixels) should be a multiple of three bytes.

Packed Pixel Stream, 24-bit Format, Long packet, Data Type = 11 1110 (3Eh)

Packed Pixel Stream 24-Bit Format is a Long packet. It is used to transmit image data formatted as 24-bit pixels to a Video Mode display module. The packet consists of the DI byte, a two-byte WC, an ECC byte, a payload of length WC bytes and a two-byte Checksum. The pixel format is red (8 bits), green (8 bits) and blue (8 bits), in that order. Each color component occupies one byte in the pixel stream; no components are split across byte boundaries. Within a color component, the LSB is sent first, the MSB last. With this format, pixel boundaries align with byte boundaries every three bytes. The total line width (displayed plus non-displayed pixels) should be a multiple of three bytes.

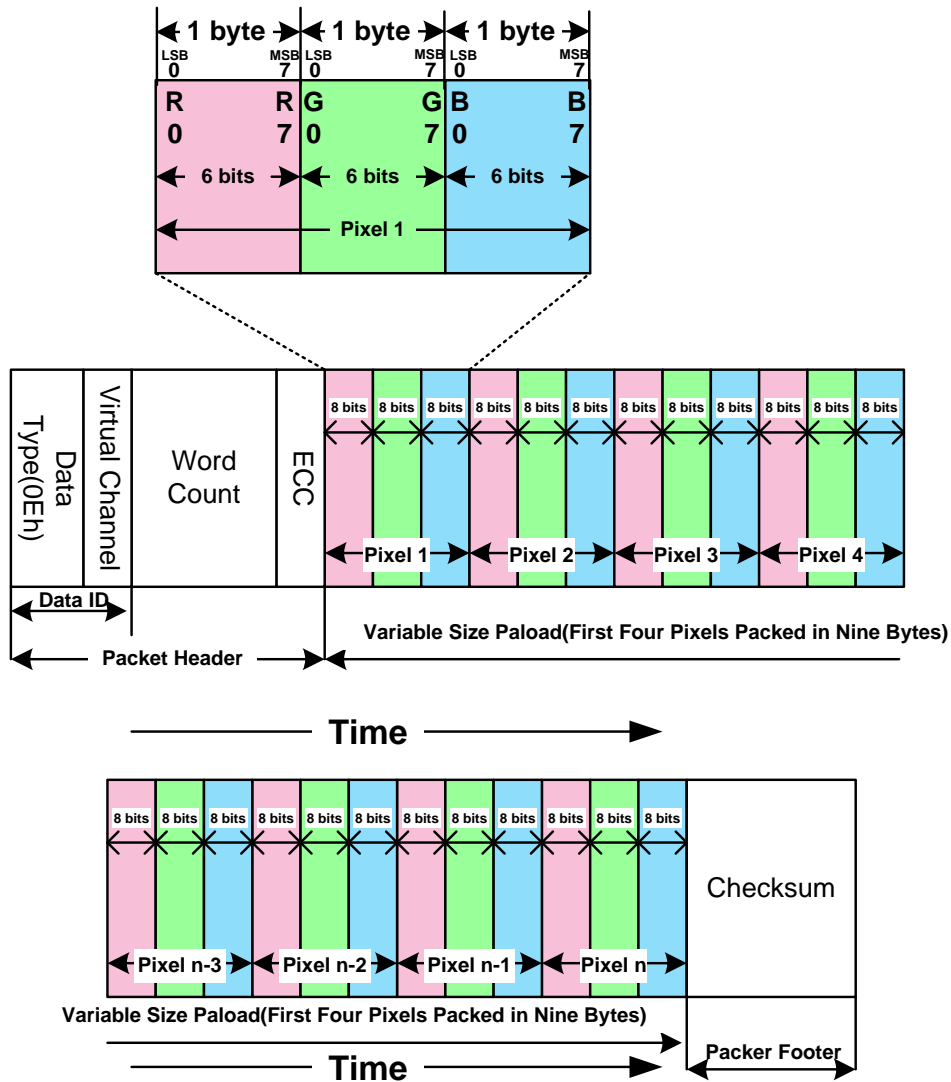


Figure 82 24-bit per Pixel -RGB Color Format, Long packet

8.7.2.3.2.2 PACKET FROM THE DISPLAY MODULE TO THE MCU

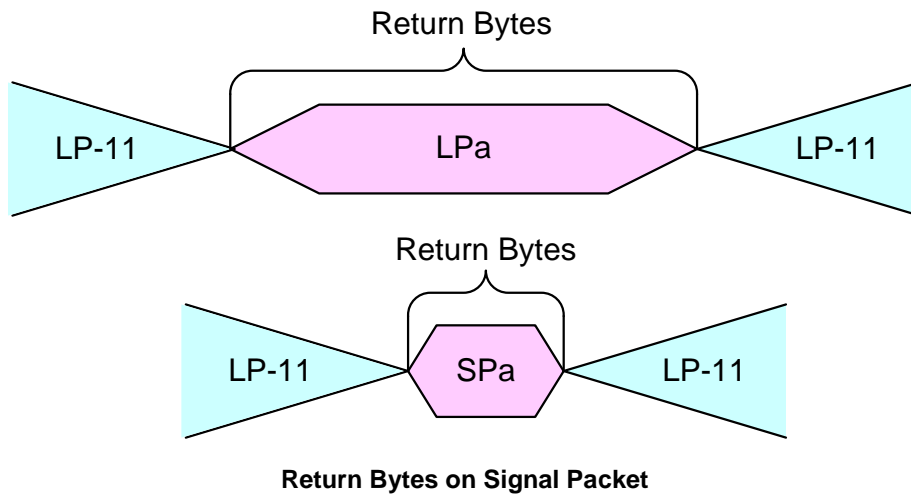
Used Packet Types

The display module is always using Short Packet (SPa) or Long Packet (LPa), when it is returning information to the MCU after the MCU has requested information from the Display Module. This information can be a response of the Display Command Set (DCS) Read, No Parameter”,(DCSRN-S)) or an Acknowledge with Error Report .The used packet type is defined on Data Type (DT)..

A number of the return bytes are more than the maximum size of the Packet Data (PD) on Long Packet (LPa) or Short Packet (SPa) when the display module is sending return bytes in several packets until all return bytes have been sent from the display module to the MCU.

It is not possible that the display module is sending return bytes in several packets even if the maximum size of the Packet Data (PD) could be sent on a packet.

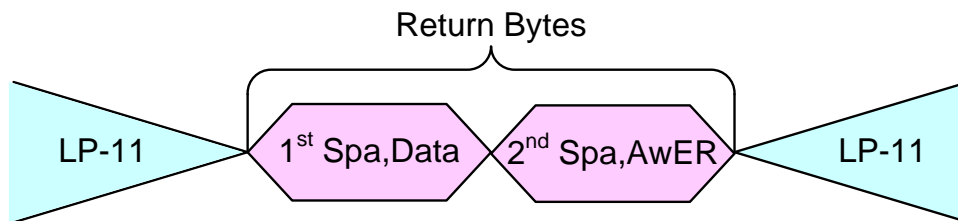
Both cases are illustrated for reference purposes below.



Data Type Hex	Data Type Binary	Symbol	Description	Packet Size
02h	00 0010	AwER	Acknowledge & Error Report	Short
1Ch	01 1100	DCSRR-L	DCS Long Read Response	Long
21h	10 0001	SCSRR1-S	DCS Short Read Response, 1 Byte returned	Short
22h	01 0010	DCSRR2-S	DCS Short Read Response, 2 Byte returned	Short
1Ah	01 1010	GENRR-L	Generic Long Read Response	Long
11h	01 0001	GENRR1-S	Generic Long Read Response, 1 Byte returned	Short
12h	01 0010	GENRR2-S	Generic Long Read Response, 2 Byte returned	Short

Table 18 Data Type for Display Module-sourced Packets

The display module is return 2 packets (1st packet: Data, 2nd packet Acknowledge with Error Report) to the MCU when the display module has received a read command. See section “Display Command Set (DCS) Read, No Parameter (DCSRN-S)” where has been detected and corrected a single bit error by the EEC (See bit 8 on Table” Acknowledge with Error Report (AwER) for Short Packet (SPa) Response”). This return packets are illustrated for reference purpose below.



Exception When Return Bytes on Several Packet

AwER=Acknowledge with Error Report

Acknowledge with Error Report (AwER), Data Type = 00 0010(02h)

“Acknowledge with Error Report” (AwER) is always using a Short Packet (SPa), what is defined on Data Type (DT,00 0010b), from the display module to the MCU.

The Packet Data (PD) can include bits, which are defining the current error, when a corresponding bit is set to ‘1’,as they are defined on the following table.

Bit	Description
0	SoT Error
1	SoT Sync Error
2	EoT Sync Error
3	Escape Mode Entry Command Error
4	Low-Power Transmit Sync Error
5	Any Protocol Timer Time-Out
6	False Control Error
7	Contention is Detected on the Display Module
8	ECC Error, single-bit (detected and corrected)
9	ECC Error, multi-bit (detected, not corrected)
10	Checksum Error (Long packet only)
11	DSI Data Type (DT) Not Recognized
12	DSI Virtual Channel (VC) ID Invalid
13	Invalid Transmission Length
14	Reserved, Set to ‘0’ internally
15	DSI Protocol Violation

Table 19 Acknowledge with Error Report (AwER) for Long Packet (LPa) Response

Bit	Description
0	SoT Error
1	SoT Sync Error
2	EoT Sync Error
3	Escape Mode Entry Command Error
4	Low-Power Transmit Sync Error
5	Any Protocol Timer Time-Out
6	False Control Error
7	Contention is Detected on the Display Module
8	ECC Error, single-bit (detected and corrected)
9	ECC Error, multi-bit (detected, not corrected)
10	Set to “0” internally (Only for Long Packet (LP))
11	DSI Data Type (DT) Not Recognized
12	DSI Virtual Channel (VC) ID Invalid
13	Invalid Transmission Length
14	Reserved, Set to ‘0’ internally
15	DSI Protocol Violation

Table 20 Acknowledge with Error Report (AwER) for Short Packet (SPa) Response

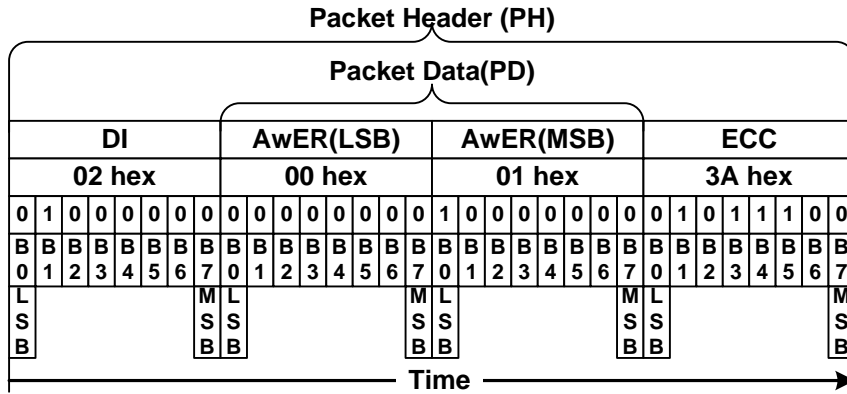
These errors are only included on the last packet, which has been received from the MCU to the display module before Bus Turnaround (BTA).

The display module ignores the received packet which includes error or errors

Acknowledge with Error Report (AwER) of the Short Packet (SPa) is defined e.g.

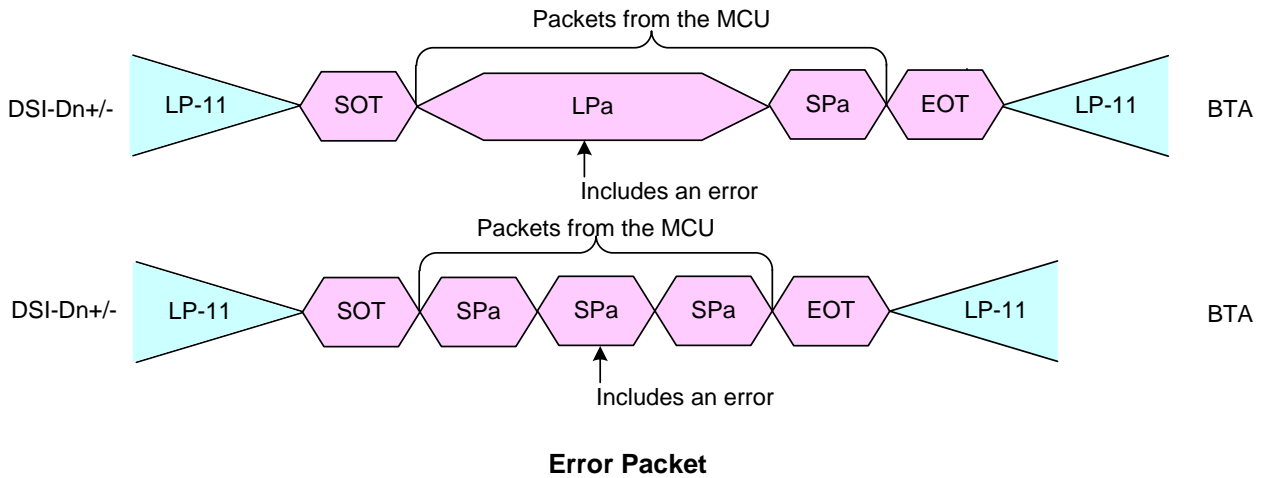
- Data Identification (DI)
 - Virtual Channel (VC, DI[7...6]): 00b
 - Data Type (DT, DI[5...0]): 00 0010b
- Packet Data (PD):
 - Bit 8: ECC Error, single-bit (detected and corrected)
 - AwER: 0100h
- Error Correction Code (ECC)

This is defined on the Short Packet (SPa) as follows.



Acknowledge with Error Report (AwER)-Example

It is possible that the display module receives several packets, which include error, from the MPU before the MPU performs the Bus Turnaround (BTA). Some examples are illustrated below for reference purpose.

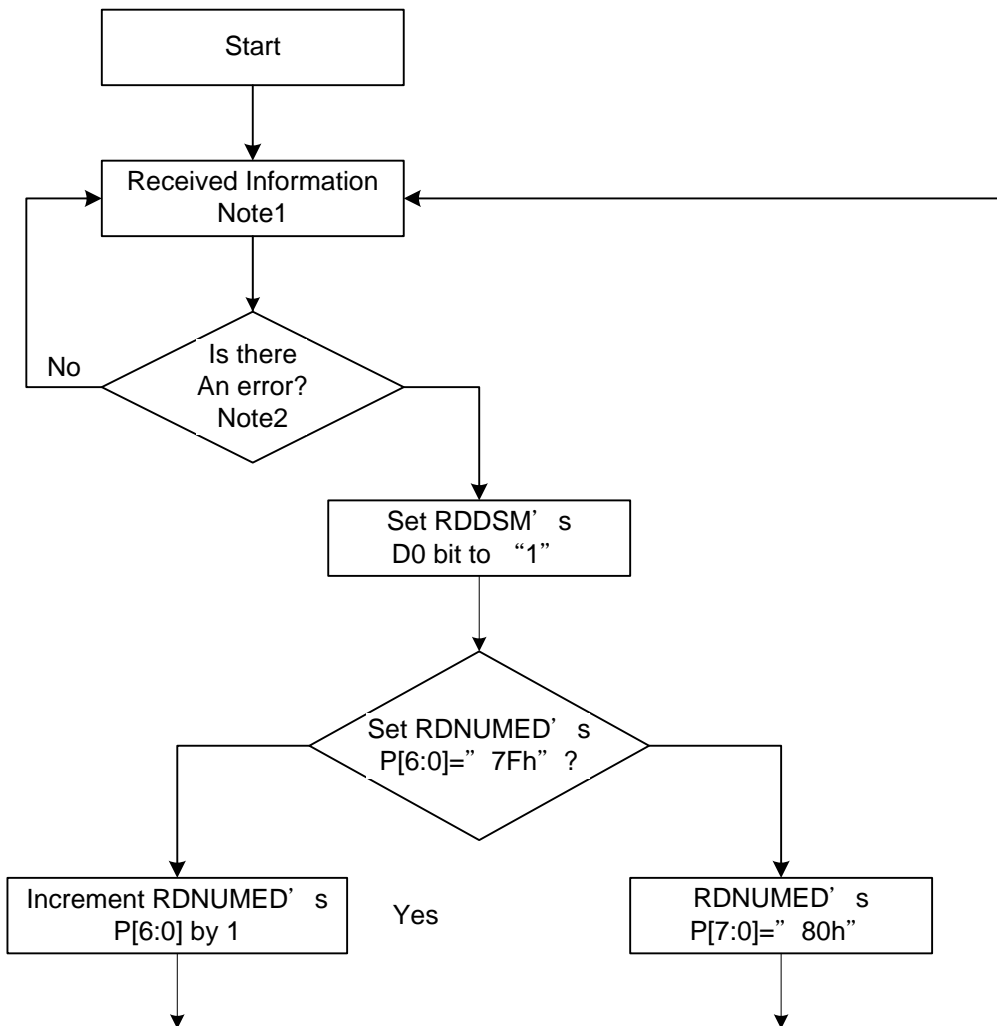


Therefore, there is needed a method to check if there has been errors on the previous packets. These errors of the previous packets can check “Read Display Signal Mode (0Eh)” and “Read Number of the Errors on DSI (05h)” commands.

The bit D0 of the “Read Display Signal Mode (0Eh)” command has been set to ‘1’ if a received packet includes an error.

The number of the packets, which are including an ECC or CRC error, are calculated on the RDNUMED register, which can read “Read Number of the Errors on DSI (05h)” command. This command also sets the RDNUMED register to 00h as well as set the bit D0 of the “Read Display Signal Mode (0Eh)” command to ‘0’ after the MCU has read the RDNUMED register from the display module.

The functionality of the RDNUMED register is illustrated for reference purposes below.



Notes:

1. This information can Interface or Packet Level Communication but it is always from the MCU to the display module in this case.
2. CRC or ECC error.

DCS Read Long Response (DCSRR-L), Data Type = 01 1100(1Ch)

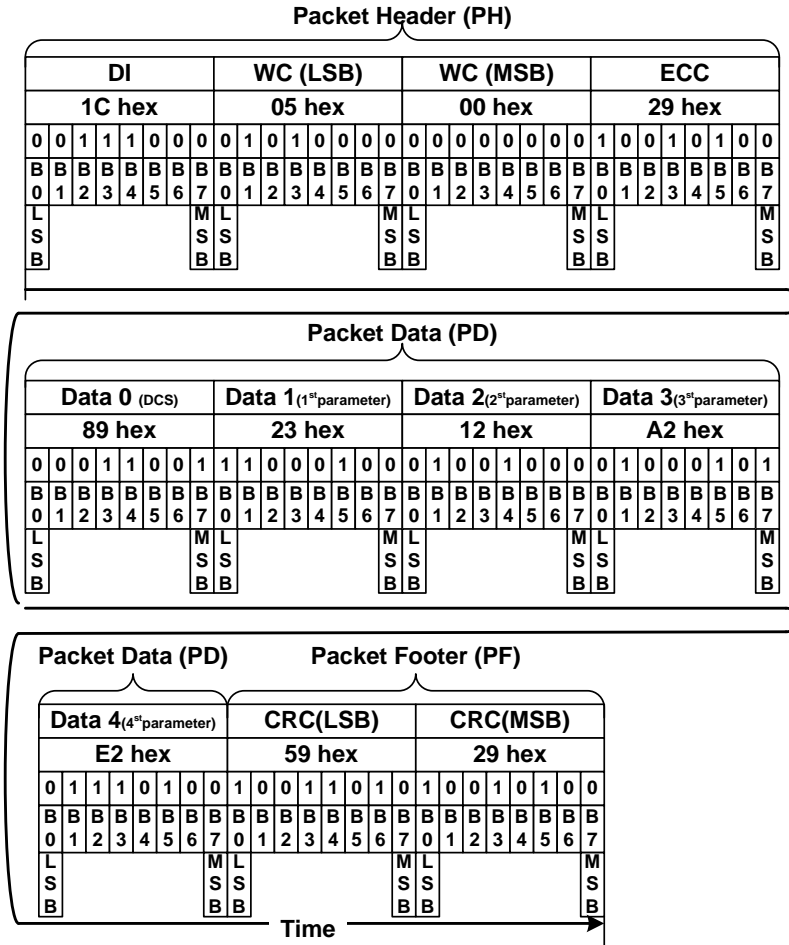
“DCS Read Long Response” (DCSRR-L) is always using a Long Packet (LPa), what is defined on Data Type (DT,01 1100b), from the display module to the MCU. “DCS Read Long Response” (DCSRR-L) is used when the display module wants to response a DCS Read command, which the MCU has sent to the display module.

“DCS Read Long Response” (DCSRR-L) is used when the display module wants to response a DCS Read command, which the MCU has sent to the display module.

Long Packet (LPa), which includes 5 data bytes of the Packet Data (PD), is defined e.g.

- Data Identification (DI)
 - Virtual Channel (VC, DI[7...6]): 00b
 - Data Type (DT, DI[5...0]): 01 1100b
- Word Count (WC)
 - Word Count (WC): 0005h
- Error Correction Code (ECC)
- Packet Data (PD):
 - Data 0: 89h
 - Data 1: 23h
 - Data 2: 12h
 - Data 3: A2h
 - Data 4: E2h
- Packet Footer (PF)

This is defined on the Long Packet (LP) as follows.



DCS Read Long Response(DCSRR-L)-Example

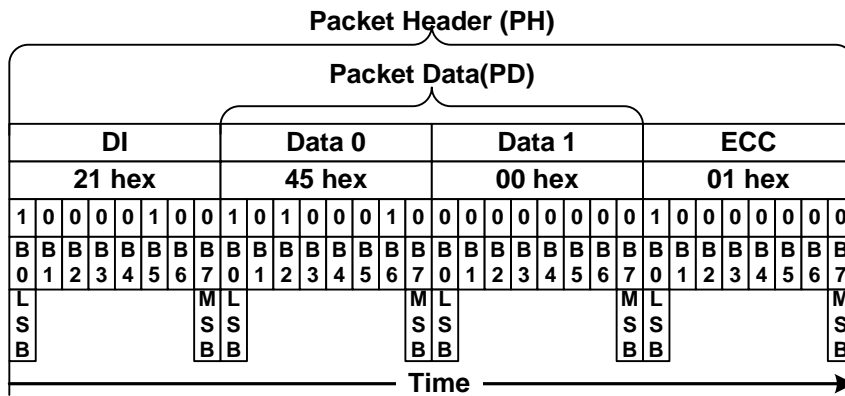
DCS Read Short Response, 1 Byte Returned (DCSRR1-S), Data Type = 10 0001(21h)

“DCS Read Short Response, 1 Byte Returned” (DCSRR1-S) is always using a Short Packet (SPa), what is defined on Data Type (DT, 10 0001b), from the display module to the MCU. “DCS Read Short Response, 1 Byte Returned” (DCSRR1-S) is used when the display module wants to response a DCS Read command, which the MCU has sent to the display module.

Short Packet (SPa) is defined e.g.

- Data Identification (DI)
 - Virtual Channel (VC, DI[7...6]): 00b
 - Data Type (DT, DI[5...0]): 10 0001b
- Packet Data (PD):
 - Data 0: 45h
 - Data 1: 00h (Always)
- Error Correction Code (ECC)

This is defined on the Short Packet (SP) as follows.



DCS Read Short Response,1 Byte Returned(DCSRR1-S)-Example

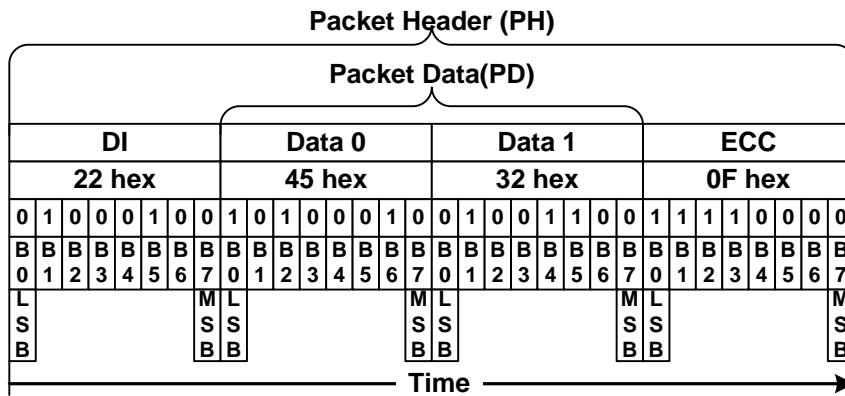
DCS Read Short Response, 2 Bytes Returned (DCSRR2-S), Data Type = 10 0010(22h)

“DCS Read Short Response, 2 Bytes Returned” (DCSRR2-S) is always using a Short Packet (SPa), what is defined on Data Type (DT, 10 0010b), from the display module to the MCU. “DCS Read Short Response, 2 Bytes Returned” (DCSRR2-S) is used when the display module wants to response a DCS Read command, which the MCU has sent to the display module.

Short Packet (SPa) is defined e.g.

- Data Identification (DI)
 - Virtual Channel (VC, DI[7...6]): 00b
 - Data Type (DT, DI[5...0]): 10 0010b
- Packet Data (PD):
 - Data 0: 45h
 - Data 1: 32h
- Error Correction Code (ECC)

This is defined on the Short Packet (SPa) as follows.



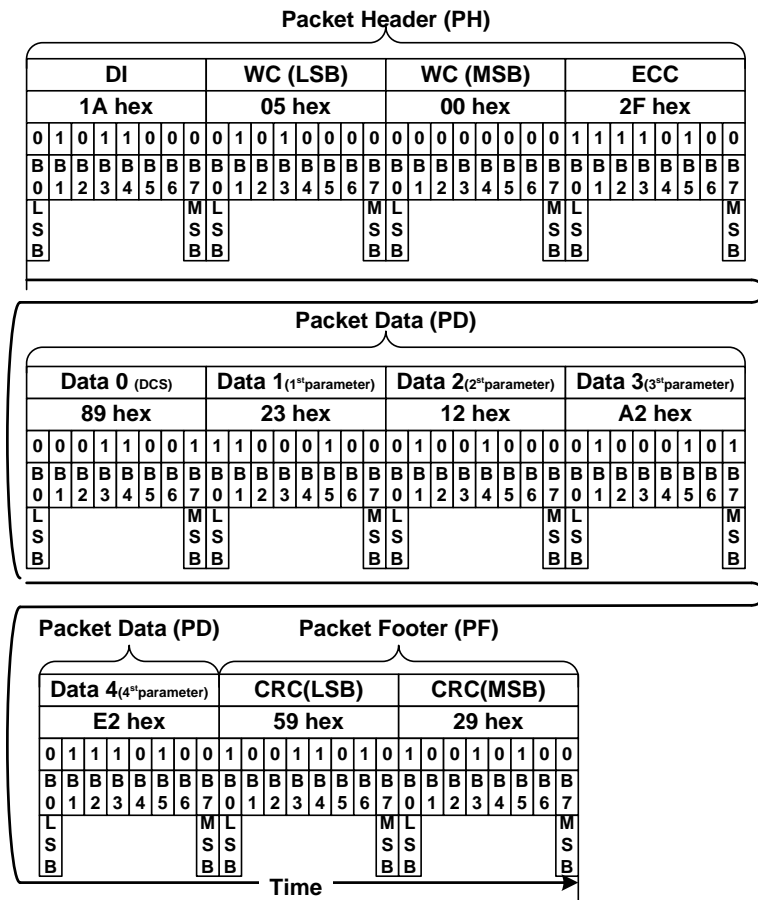
DCS Read Short Response,2 Bytes Returned (DCSRR2-S) -Example

Generic Read Long Response (GENRR-L), Data Type = 01 1010(1Ah)

“Generic Read Long Response” (GENRR-L) is always using a Long Packet (LPa), what is defined on Data Type (DT, 01 1010b), from the display module to the MCU. “Generic Read Long Response” (GENRR-L) is used when the display module wants to response a Generic Read command, which the MCU has sent to the display module. Long Packet (LPa), which includes 5 data bytes of the Packet Data (PD), is defined e.g.

- Data Identification (DI)
 - Virtual Channel (VC, DI[7...6]): 00b
 - Data Type (DT, DI[5...0]): 01 1010b
- Word Count (WC)
 - Word Count (WC): 0005h
- Error Correction Code (ECC)
- Packet Data (PD):
 - Data 0: 89h
 - Data 1: 23h
 - Data 2: 12h
 - Data 3: A2h
 - Data 4: E2h
- Packet Footer (PF)

This is defined on the Long Packet (LP) as follows.



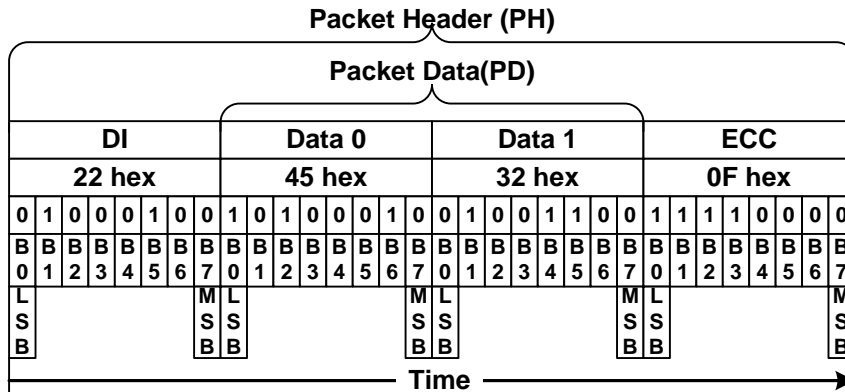
Generic Read Short Response, 1 Byte Returned (GENRR1-S), Data Type = 01 0001(11h)

“Generic Read Short Response, 1 Byte Returned” (GENRR1-S) is always using a Short Packet (SPa), what is defined on Data Type (DT, 01 0001b), from the display module to the MCU. “Generic Read Short Response, 1 Byte Returned” (GENRR1-S) is used when the display module wants to response a Generic Read command, which the MCU has sent to the display module.

Short Packet (SPa) is defined e.g.

- Data Identification (DI)
 - Virtual Channel (VC, DI[7...6]): 00b
 - Data Type (DT, DI[5...0]): 01 0001b
- Packet Data (PD):
 - Data 0: 45h
 - Data 1: 00h (Always)
- Error Correction Code (ECC)

This is defined on the Short Packet (SP) as follows.



Generic Read Short Response,1 Byte Returned (GENRR1-S)-Example

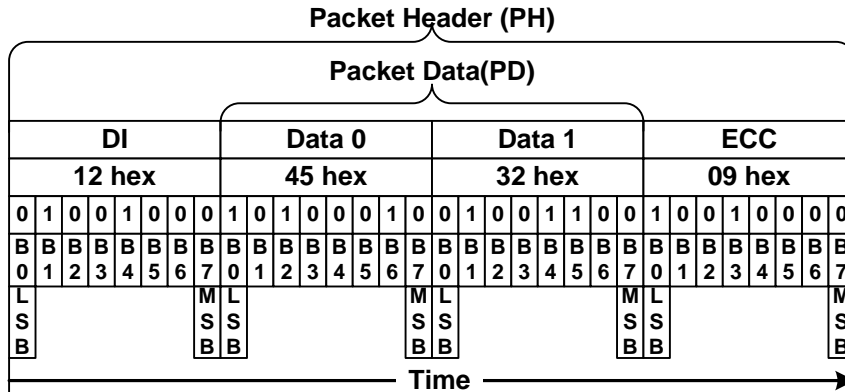
Generic Read Short Response, 2 Bytes Returned (GENRR2-S), Data Type = 01 0010(12h)

“Generic Read Short Response, 2 Bytes Returned” (GENRR2-S) is always using a Short Packet (SPa), what is defined on Data Type (DT, 01 0010b), from the display module to the MCU. “Generic Read Short Response, 2 Bytes Returned” (GENRR2-S) is used when the display module wants to response a Generic Read command, which the MCU has sent to the display module.

Short Packet (SPa) is defined e.g.

- Data Identification (DI)
 - Virtual Channel (VC, DI[7...6]): 00b
 - Data Type (DT, DI[5...0]): 01 0010b
- Packet Data (PD):
 - Data 0: 45h
 - Data 1: 32h
- Error Correction Code (ECC)

This is defined on the Short Packet (SP) as follows.



Generic Read Short Response, 2 Bytes Returned (GENRR2-S)-Example

8.7.2.3.3 COMMUNICATION SEQUENCES

8.7.2.3.3.1 GENERAL

The communication sequences can be done on interface or packet levels between the MCU and the display module. See chapters “Interface Level Communication” and “Packet Level Communication”.

This communication sequence description is for DSI data lanes and it has been assumed that the needed low level communication is done on DSI clock lanes (DSI-CLK+/-) automatically.

Functions of the interface level communication is described on the following table.

Interface Mode	Abbreviation	Interface Action Description
Low Power	LP-11	Stop state
	LPDT	Low power data transmission
	ULPS	Ultra-Low power state
	RAR	Remote application reset
	TEE	Tearing effect event
	ACK	Acknowledge (No error)
	BTA	Bus turnaround
High Speed	HSDT	High speed data transmission

Table 21 Interface Level Communication

Functions of the packet level communication are described on the following table.

Packet Sender	Abbreviation	Packet Size	Packet Description
MCU	DCSW1-S	SPa	DCS Write,1 Parameter
	DCSWN-S	SPa	DCS Write, No parameter
	DCSW-L	LPa	DCS Write,Long
	DCSRN-S	SPa	DCS Read,No Parameter
	SMRPS-S	SPa	Set maximum return packet size
	NP-L	LPa	Null packet, No data
Display Module	AwER	SPa	Acknowledge with error report
	DCSRR-L	LPa	DCS Read, Long Response
	DCSRR1-S	SPa	DCS Read, Short Response
	DCSRR2-S	SPa	DCS Read, Short Response

Table 22 Packet Level Communication

8.7.2.3.3.2 SEQUENCES

DCS Write, 1 Parameter Sequence

A Short Packet (SPa) of “Display Command Set (DCS) Write, 1 Parameter (DCSW1-S)” is defined on chapter “Display Command Set (DCS) Write, 1 Parameter (DCSW1-S)” and example sequences, how this packet is used, is described on following tables.

DCS Write,1 Parameter Sequence – Example 1

Line	MCU		Information Direction	Display Module		Comment
	Packet Sender	Interface Mode Control		Interface Mode Control	Packet Sender	
1	-	LP-11	=>	-	-	Start
2	DCSW1-S	LPDT	=>	-	-	
3	-	LP-11	=>	-	-	End

DCS Write,1 Parmeter Sequence – Example2

Line	MCU		Information Direction	Display Module		Comment
	Packet Sender	Interface Mode Control		Interface Mode Control	Packet Sender	
1	-	LP-11	=>	-	-	Start
2	DCSW1-S	HSDT	=>	-	-	
3	EoTP	HSDT	=>	-	-	End of Transmission Packet
4	-	LP-11	=>	-	-	End

DCS Write, 1 Parameter Sequence - Example 3

Line	MCU		Information Direction	Display Module		Comment
	Packet Sender	Interface Mode Control		Interface Mode Control	Packet Sender	
1	-	LP-11	=>	-	-	Start
2	DCSW1-S	HSDT	=>	-	-	
3	EoTP	HSDT	=>	-	-	End of Transmission Packet
4	-	LP-11	=>	-	-	
5	-	BTA	<=>	BTA	-	Interface control change from the MCU to the display module
6	-	-	<=	LP-11	-	If no error=>goto line8 If error=goto line 13
7						
8	-	-	<=	ACK	-	No error
9	-	-	<=	LP-11	-	
10	-	BTA	<=>	BTA	-	Interface control change from the display module to the MCU
11	-	LP-11	=>	-	-	End
12						
13	-	-	<=	LPDT	AwER	Error report
14	-	-	<=	LP-11	-	
15	-	BTA	<=>	BTA	-	
16	-	LP-11	=>	-	-	End

DCS Write, No Parameter Sequence

A Short Packet (SPa) of “Display Command Set (DCS) Write, No Parameter (DCSWN-S)” is defined on chapter “Display Command Set (DCS) Write, No Parameter (DCSWN-S)” and example sequences, how this packet is used, is described on following tables.

DCS Write, No Parameter Sequence-Example 1

Line	MCU		Information Direction	Display Module		Comment
	Packet Sender	Interface Mode Control		Interface Mode Control	Packet Sender	
1	-	LP-11	=>	-	-	Start
2	DCSW1-S	LPDT	=>	-	-	
3	-	LP-11	=>	-	-	End

DCS Write, No Parameter Sequence – Example2

Line	MCU		Information Direction	Display Module		Comment
	Packet Sender	Interface Mode Control		Interface Mode Control	Packet Sender	
1	-	LP-11	=>	-	-	Start
2	DCSW1-S	HS DT	=>	-	-	
3	EoTP	HS DT	=>	-	-	End of Transmission Packet
4	-	LP-11	=>	-	-	End

DCS Write, No Parameter Sequence - Example 3

Line	MCU		Information Direction	Display Module		Comment
	Packet Sender	Interface Mode Control		Interface Mode Control	Packet Sender	
1	-	LP-11	=>	-	-	Start
2	DCSW1-S	HS DT	=>	-	-	
3	EoTP	HS DT	=>	-	-	End of Transmission Packet
4	-	LP-11	=>	-	-	
5	-	BTA	<=>	BTA	-	Interface control change from the MCU to the display module
6	-	-	<=	LP-11	-	If no error=>goto line8 If error=goto line 13
7						
8	-	-	<=	ACK	-	No error
9	-	-	<=	LP-11	-	
10	-	BTA	<=>	BTA	-	Interface control change from the display module to the MCU
11	-	LP-11	=>	-	-	End
12						
13	-	-	<=	LPDT	AwER	Error report
14	-	-	<=	LP-11	-	
15	-	BTA	<=>	BTA	-	
16	-	LP-11	=>	-	-	End

DCS Write Long Sequence

A Long Packet (LPa) of “Display Command Set (DCS) Write Long (DCSW-L)” is defined on chapter “Display Command Set (DCS) Write Long (DCSW-L)” and example sequences, how this packet is used, is described on following tables.

DCS Write, Long Sequence-Example 1

Line	MCU		Information Direction	Display Module		Comment
	Packet Sender	Interface Mode Control		Interface Mode Control	Packet Sender	
1	-	LP-11	=>	-	-	Start
2	DCSW-L	LPDT	=>	-	-	
3	-	LP-11	=>	-	-	End

DCS Write, Long Sequence – Example2

Line	MCU		Information Direction	Display Module		Comment
	Packet Sender	Interface Mode Control		Interface Mode Control	Packet Sender	
1	-	LP-11	=>	-	-	Start
2	DCSW-L	HS DT	=>	-	-	
3	EoTP	HS DT	=>	-	-	End of Transmission Packet
4	-	LP-11	=>	-	-	End

DCS Write, Long Sequence - Example 3

Line	MCU		Information Direction	Display Module		Comment
	Packet Sender	Interface Mode Control		Interface Mode Control	Packet Sender	
1	-	LP-11	=>	-	-	Start
2	DCSW-L	HS DT	=>	-	-	
3	EoTP	HS DT	=>	-	-	End of Transmission Packet
4	-	LP-11	=>	-	-	
5	-	BTA	<=>	BTA	-	Interface control change from the MCU to the display module
6	-	-	<=	LP-11	-	If no error=>goto line8 If error=goto line 13
7						
8	-	-	<=	ACK	-	No error
9	-	-	<=	LP-11	-	
10	-	BTA	<=>	BTA	-	Interface control change from the display module to the MCU
11	-	LP-11	=>	-	-	End
12						
13	-	-	<=	LPDT	AwER	Error report
14	-	-	<=	LP-11	-	
15	-	BTA	<=>	BTA	-	
16	-	LP-11	=>	-	-	End

DCS Read, No Parameter Sequence

A Short Packet (SPa) of “Display Command Set (DCS) Read, No Parameter (DCSRN-S)” is defined on chapter “Display Command Set (DCS) Read, No Parameter (DCSRN-S)” and example sequences, how this packet is used, is described on following tables.

DCS Read, No Parameter Sequence – Example 1

Line	MCU		Information Direction	Display Module		Comment
	Packet Sender	Interface Mode Control		Interface Mode Control	Packet Sender	
1	-	LP-11	=>		-	Start
2	SMRPS-S	HSDT	=>		-	Define how many data byte is wanted to read: 1 byte
3	DCSRN-S	HSDT	=>		-	Wanted to get a response ID1 (DAh)
4	EoTP	HSDT	=>		-	End of Transmission Packet
5	-	LP-11	=>		-	
6	-	BTA	<=>	BTA	-	Interface control change from the MCU to the display module
7	-	-	<=	LP-11	-	If no error=>goto line 9 If error=> goto line 14 If error is corrected by ECC =>go to line 19
8						
9	-	-	<=	LPDT	DCSRR1-S	Responded 1 byte return
10	-	-	<=	LP-11	-	
11	-	BTA	<=>	BTA	-	Interface control change from the Display module to the MCU
12	-	LP-11	=>	-	-	End
13						
14	-	-	<=	LPDT	AwER	Error report
15	-	-	<=	LP-11	-	
16	-	BTA	<=>	BTA	-	Interface Control change from the Display module to the MCU
17	-	LP-11	=>	-	-	End
18						
19	-	-	<=	LPDT	DCSRR1-S	Responded 1 byte return
20	-	-	<=	LPDT	AwER	Error Report (Error is Corrected by ECC)
21	-	-	<=	LP-11	-	
22	-	BTA	<=>	BTA	-	Interface control change from the display module to the MCU
23	-	LP-11	=>	-	-	End

Null Packet, No Data Sequence

A Long Packet (LPa) of “Null Packet, No Data (NP-L)” is defined on chapter “Null Packet, No Data (NP-L)” and example sequences, how this packet is used, is described on following tables.

Null Packet, No Parameter Sequence - Example

Line	MCU		Information Direction	Display Module		Comment
	Packet Sender	Interface Mode Control		Interface Mode Control	Packet Sender	
1	-	LP-11	=>	-	-	Start
2	NP-L	HSDT	=>	-	-	Only high speed data transmission Is used
3	EoTP	HSDT	=>	-	-	End of Transmission Packet
4	-	LP-11	=>	-	-	End

End of Transmission Packet

A Short Packet (SPa) of “End of Transmission (EoT)” is defined on chapter “End of Transmission Packet (EoT)” and an example sequences, how this packet is used, is described on following tables.

End of Transmission Packet – Example

Line	MCU		Information Direction	Display Module		Comment
	Packet Sender	Interface Mode Control		Interface Mode Control	Packet Sender	
1	-	LP-11	=>	-	-	Start
2	NP-L	HSDT	=>	-	-	Only high speed data transmission Is used
3	EoTP	HSDT	=>	-	-	End of Transmission Packet
4	-	LP-11	=>	-	-	End

8.7.2.4 Video Mode Communication

Video Mode peripherals require pixel data delivered in real time. This section specifies the format and timing of DSI traffic for this type of display module.

8.7.2.4.1 TRANSMISSION PACKET SEQUENCES

DSI supports several formats, or packet sequences, for Video Mode data transmission. The peripheral's timing requirements dictate which format is appropriate. In the following sections, Burst Mode refers to time-compression of the RGB pixel (active video) portion of the transmission. In addition, these terms are used throughout the following sections:

- Non-Burst Mode with Sync Pulses – enables the peripheral to accurately reconstruct original video timing, including sync pulse widths.
- Non-Burst Mode with Sync Events – similar to above, but accurate reconstruction of sync pulse widths is not required, so a single Sync Event is substituted.
- Burst mode – RGB pixel packets are time-compressed, leaving more time during a scan line for LP mode (saving power) or for multiplexing other transmissions onto the DSI link.

In the following figures the Blanking or Low-Power Interval (BLLP) is defined as a period during which video packets such as pixel-stream and sync event packets are not actively transmitted to the peripheral. To enable PHY synchronization the host processor should periodically end HS transmission and drive the Data Lanes to the LP state. This transition should take place at least once per frame; shown as LPM in the figures in this section. It is recommended to return to LP state once per scan-line during the horizontal blanking time. Regardless of the frequency of BLLP periods, the host processor is responsible for meeting all documented peripheral timing requirements. Note, at lower frequencies BLLP periods will approach, or become, zero, and burst mode will be indistinguishable from non-burst mode.

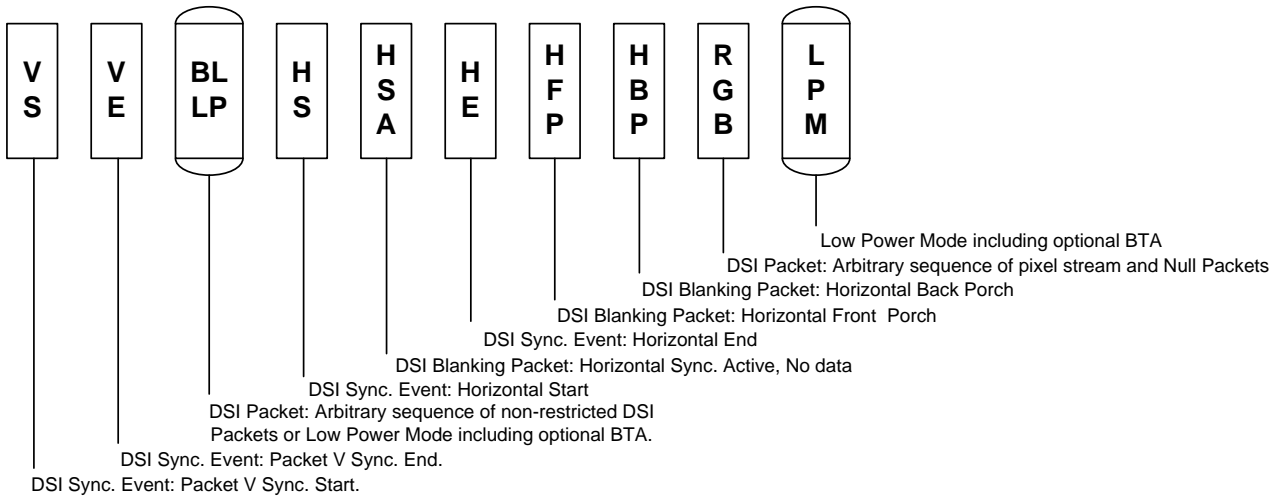
During the BLLP the DSI Link may do any of the following:

- Remain in Idle Mode with the host processor in LP-11 state and the peripheral in LP-RX
- Transmit one or more non-video packets from the host processor to the peripheral using Escape Mode
- Transmit one or more non-video packets from the host processor to the peripheral using HS Mode
- If the previous processor-to-peripheral transmission ended with BTA, transmit one or more packets from the peripheral to the host processor using Escape Mode
- Transmit one or more packets from the host processor to a different peripheral using a different Virtual Channel ID

The sequence of packets within the BLLP or RGB portion of a HS transmission is arbitrary. The host processor may compose any sequence of packets, including iterations, within the limits of the packet format definitions. For all timing cases, the first line of a frame shall start with VS; all other lines shall start with HS. This is also true in the special case when $VSA+VBP=0$. Note that the position of synchronization packets, such as VS and HS, in time is of utmost importance since this has a direct impact on the visual performance of the display panel.

Normally, RGB pixel data is sent with one full scan line of pixels in a single packet. If necessary, a horizontal scan-line of active pixels may be divided into two or more packets. However, individual pixels shall not be split across packets.

Transmission packet components used in the figures in this section are defined in Figure below unless otherwise specified.



DSI Video Mode Interface Timing Legend

If a peripheral timing specification for HBP or HFP minimum period is zero, the corresponding Blanking Packet may be omitted. If the HBP or HFP maximum period is zero, the corresponding blanking packet shall be omitted.

There are two limitation for MIPI Video mode 2 Lane:

- (1) The packet number for H-porch or 1-line data should be even.
- (2) Packet Pixel Stream should be start at Lane0.

8.7.2.4.2 NON-BURST MODE WITH SYNC PULSES

With this format, the goal is to accurately convey DPI-type timing over the DSI serial Link. This includes matching DPI pixel-transmission rates, and widths of timing events like sync pulses. Accordingly, synchronization periods are defined using packets transmitting both start and end of sync pulses. An example of this mode is shown in Figure below.

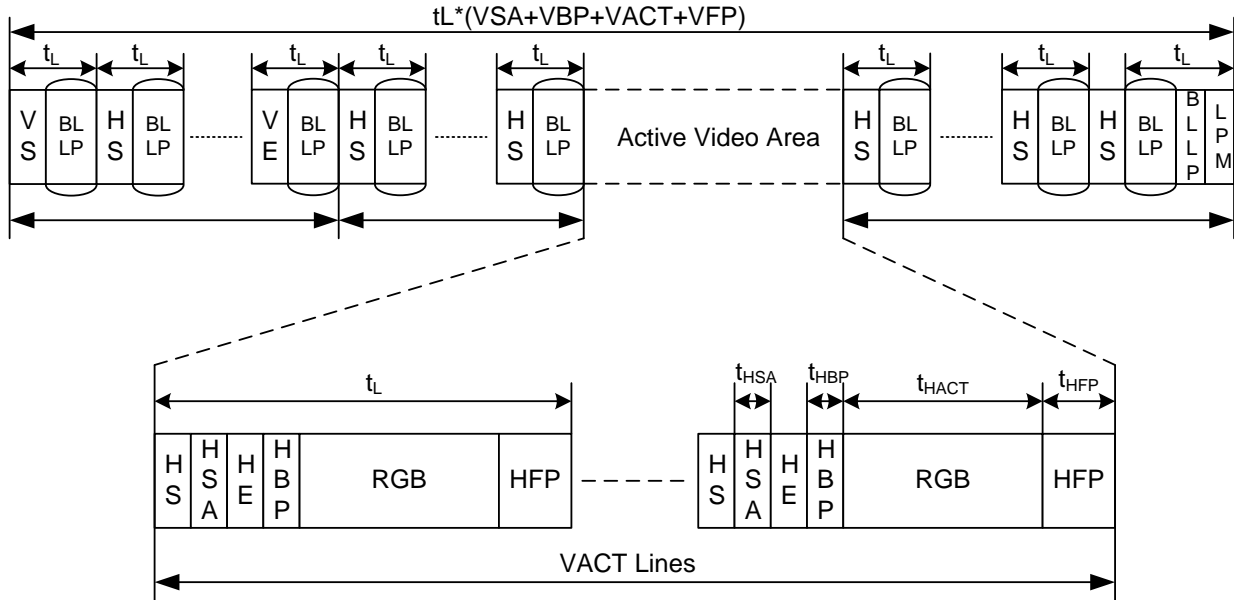


Figure 83 DSI Video Mode Interface Timing: Non-Burst Transmission with Sync Start and End

Normally, periods shown as HSA (Horizontal Sync Active), HBP (Horizontal Back Porch) and HFP (Horizontal Front Porch) are filled by Blanking Packets, with lengths (including packet overhead) calculated to match the period specified by the peripheral's data sheet. Alternatively, if there is sufficient time to transition from HS to LP mode and back again, a timed interval in LP mode may substitute for a Blanking Packet, thus saving power.

8.7.2.4.3 NON-BURST MODE

This mode is a simplification of the format described in section 5.3.2.4.2 “Non-Burst Mode with Sync Pulse”. Only the start of each synchronization pulse is transmitted. The peripheral may regenerate sync pulses as needed from each Sync Event packet received. Pixels are transmitted at the same rate as they would in a corresponding parallel display interface such as DPI-2. An example of this mode is shown in Figure below.

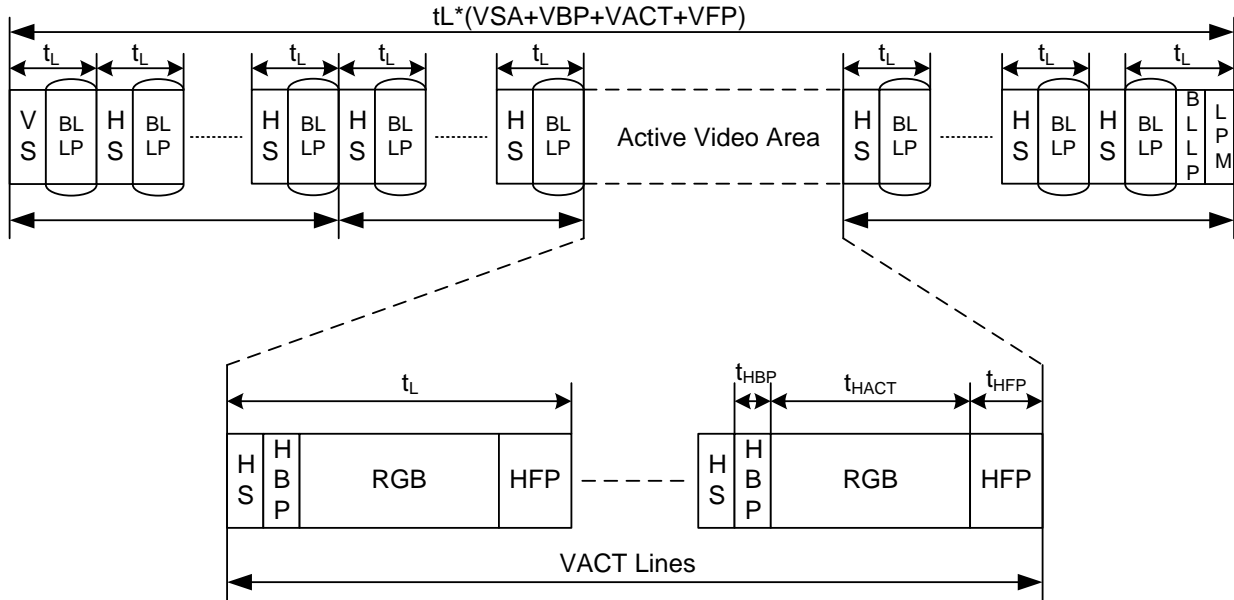


Figure 84 DSI Video Mode Interface Timing: Non-burst Transmission

As with the previous Non-Burst Mode, if there is sufficient time to transition from HS to LP mode and back again, a timed interval in LP mode may substitute for a Blanking Packet, thus saving power.

8.7.2.4.4 BURST MODE

In this mode, blocks of pixel data can be transferred in a shorter time using a time-compressed burst format. This is a good strategy to reduce overall DSI power consumption, as well as enabling larger blocks of time for other data transmissions over the Link in either direction. There may be a line buffer or similar memory on the peripheral to accommodate incoming data at high speed. Following HS pixel data transmission, the bus goes to Low Power Mode, during which it may remain idle, i.e. the host processor remains in LP-11 state, or LP transmission may take place in either direction. If the peripheral takes control of the bus for sending data to the host processor, its transmission time shall be limited to ensure data underflow does not occur from its internal buffer memory to the display device. An example of this mode is shown in Figure below.

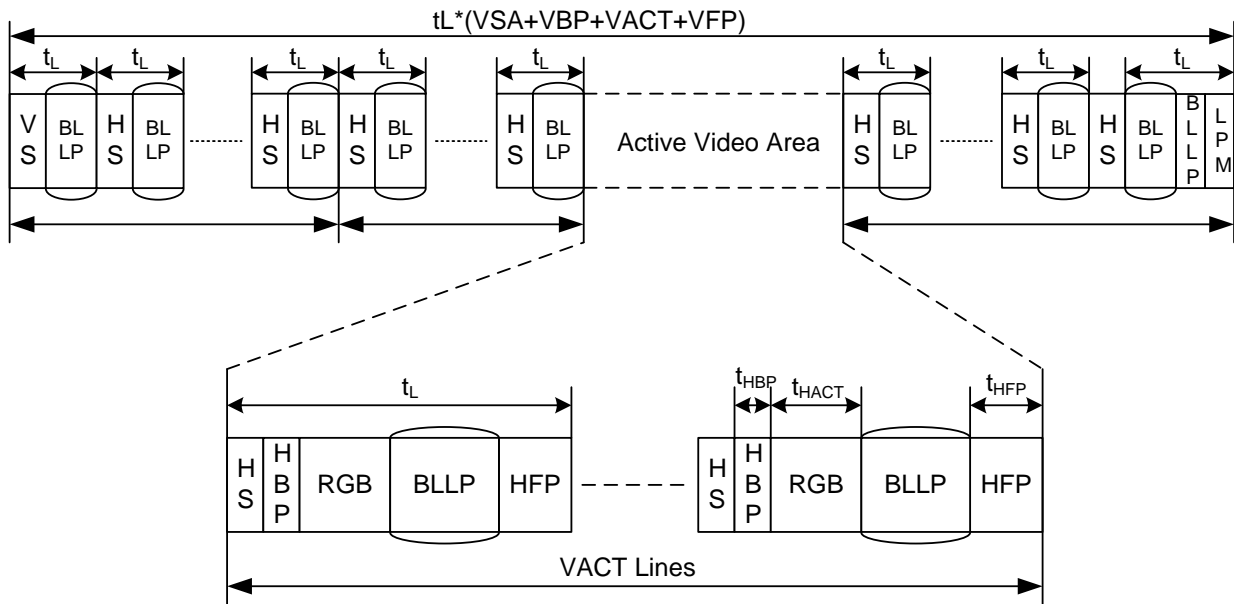


Figure 85 DSI Video Mode Interface Timing: Burst Transmission

Similar to the Non-Burst Mode scenario, if there is sufficient time to transition from HS to LP mode and back again, a timed interval in LP mode may substitute for a Blanking Packet, thus saving power.

9 POWER ON/OFF SEQUENCE

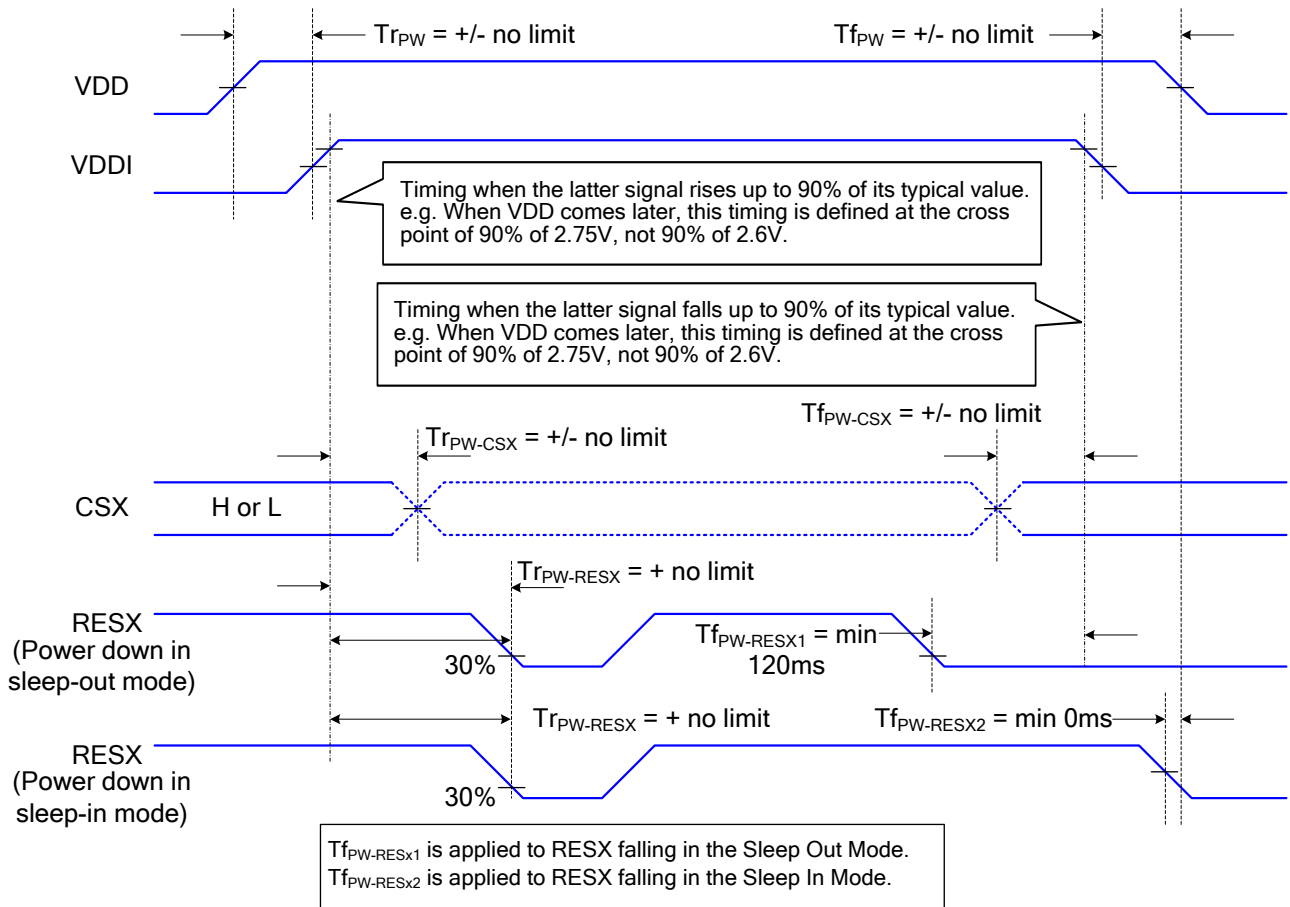
VDDI and VDDA can be applied or powered down in any order. During the Power Off sequence, if the LCD is in the Sleep Out mode, VDDA and VDDI must be powered down with minimum 120msec. If the LCD is in the Sleep In mode, VDDA and VDDI can be powered down with minimum 0msec after the RESX is released.

CSX can be applied at any timing or can be permanently grounded. RESX has high priority over CSX.

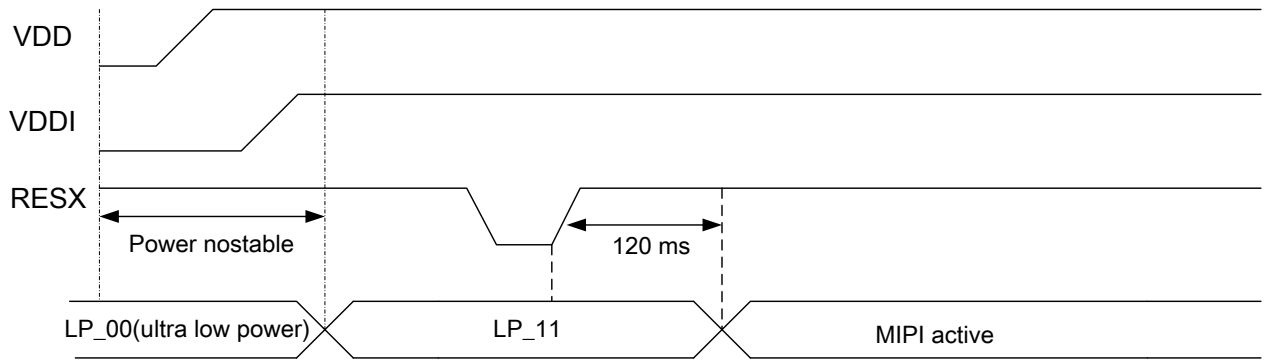
Notes:

1. There will be no damage to the ST7701SN if the power sequences are not met.
2. There will be no abnormal visible effects on the display panel during the Power On/Off Sequences.
3. There will be no abnormal visible effects on the display between the end of Power On Sequence and before receiving the Sleep Out command, and also between receiving the Sleep In command and the Power Off Sequence.
4. If the RESX line is not steadily held by the host during the Power On Sequence as defined in Sections 9.1 , then it will be necessary to apply the Hardware Reset (RESX) after the completion of the Host Power On Sequence to ensure correct operations. Otherwise, all the functions are not guaranteed.
5. When VDDA is in power off State , the MIPI must set in Ultra Low Power Mode (GND Level).

The power on/off sequence is illustrated below



Note5:



9.1 Uncontrolled Power Off

The uncontrolled power-off means a situation which removed a battery without the controlled power off sequence. It will neither damage the module or the host interface.

If uncontrolled power-off happened, the display will go blank and there will not any visible effect on the display (blank display) and remains blank until "Power On Sequence" powers it up.

10 POWER LEVEL DEFINITION

10.1 Power Level

7 level modes are defined they are in order of maximum power consumption to minimum power consumption:

1. Normal Mode On (full display), Idle Mode Off, Sleep Out.

In this mode, the display is able to show maximum 16.7M colors.

2. Partial Mode On, Idle Mode Off, Sleep Out

In this mode, part of the display is used with maximum 16.7M colors.

3. Normal Mode On (full display), Idle Mode On, Sleep Out.

In this mode, the full display is used but with 8 colors.

4. Partial Mode On, Idle Mode On, Sleep Out

In this mode, part of the display is used but with 8 colors.

5. Sleep In Mode.

In this mode, the DC/DC converter, internal oscillator and panel driver circuit are stopped. Only the MPU interface and registers are working with VDDI power supply.

6. Deep Standby Mode.

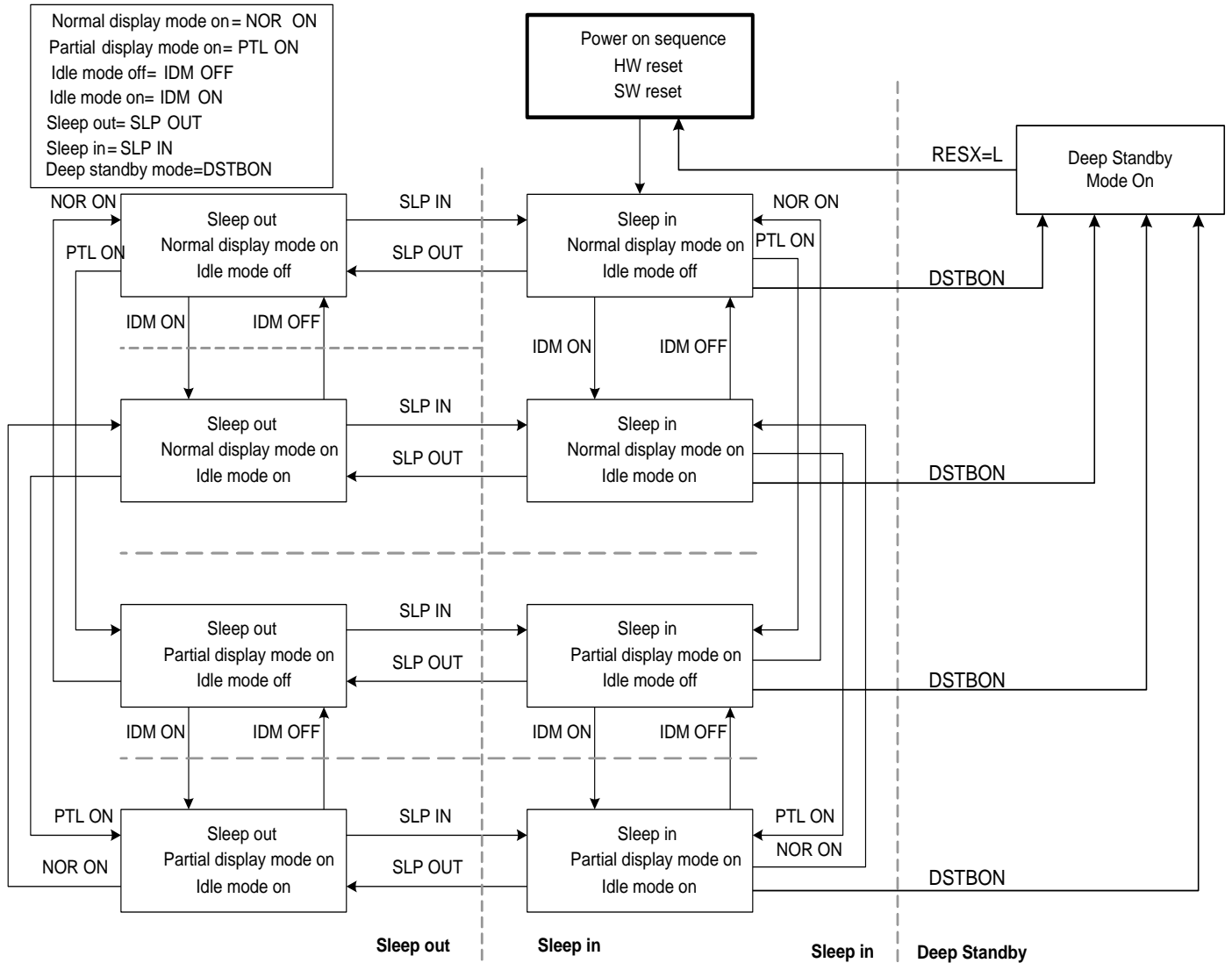
In this mode, the DC/DC converter, internal oscillator and panel driver circuit are stopped. The MPU interface and registers are not working.

7. Power Off Mode

In this mode, VDDI and VDDA/VDDDB are removed.

NOTE: Transition between mode 1~5 is controllable by MPU commands. Mode 6 is entered for power saving with both power supplies for I/O and analog circuits and can be exited by hardware reset only (RESX=L). Mode 7 is entered only when both power supplies for I/O and analog circuits are removed.

10.2 Power Flow Chart



NOTES:

- 1) There is not any abnormal visual effect when there is changing from one power mode to another power mode.
- 2) There is not any limitation, which is not specified by this spec, when there is changing from one power mode to another power mode

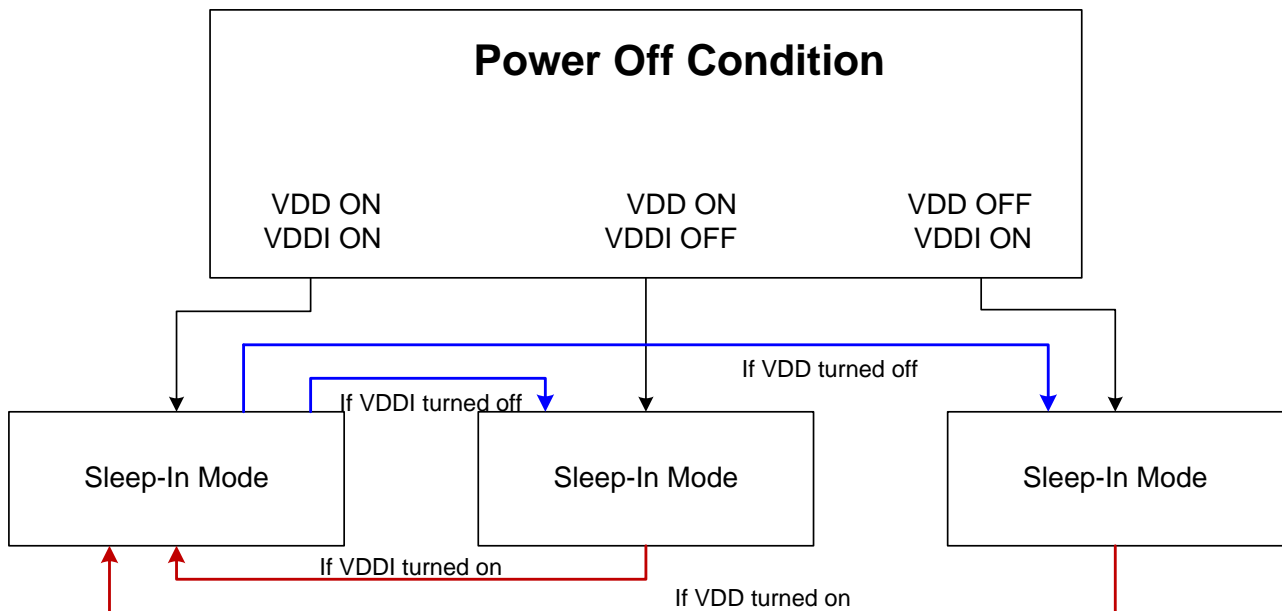
The following table represents the Registers its mode state.

Mode	Register	Control	
		Enter	Exit
Sleep in mode	Keep	Command	
Deep-standby mode	Loss	Command	Reset pin
Reset=L	Keep(Default Value)	Reset (H/W)	

The condition for irregular power off mode is shown below.

Power Off Mode	VDD	VDDI	RESX	I/O
Mode 1	ON	OFF	High to Low	Low
Mode 2	OFF	ON	High to Low	Low

Note: VDD means VDDA, VDDB



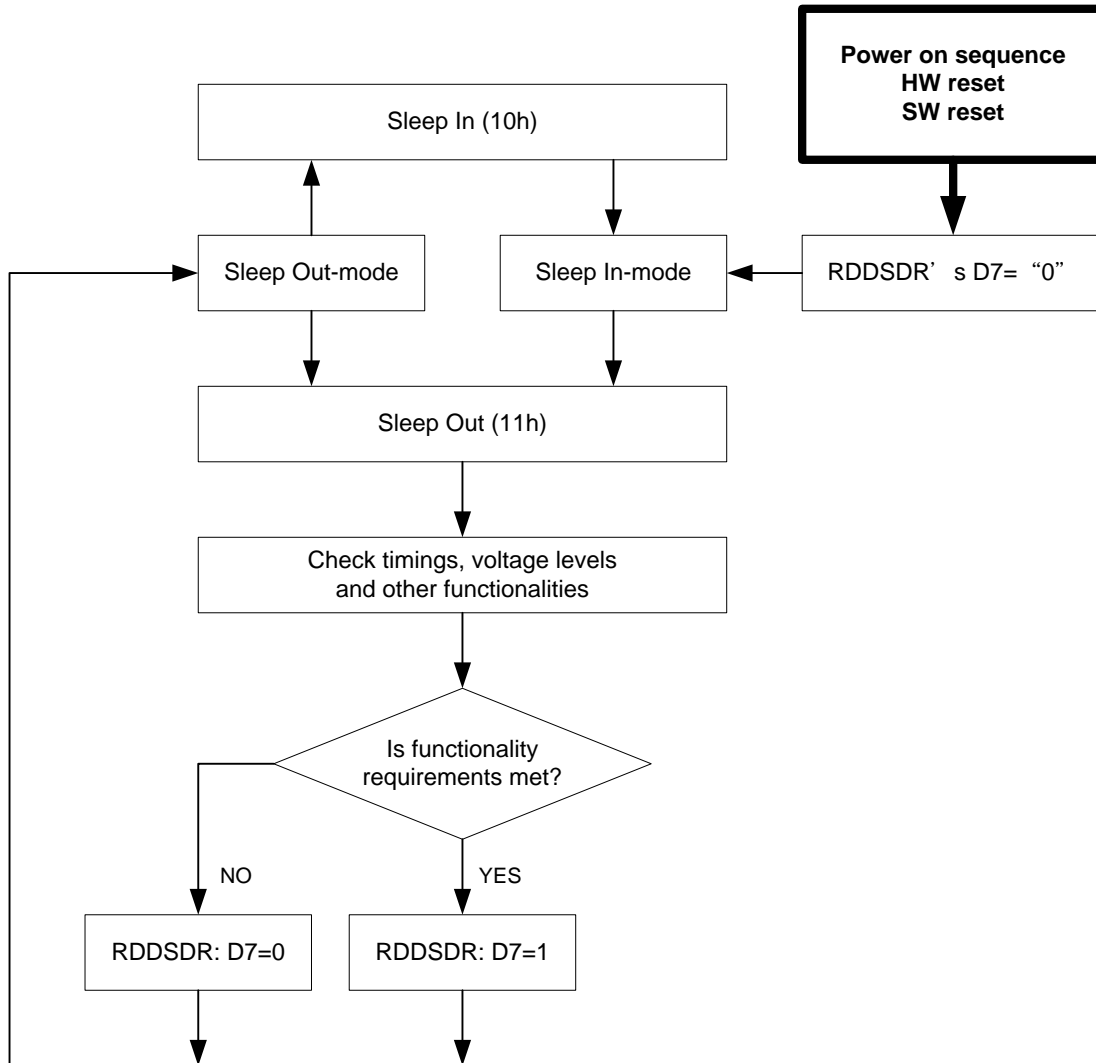
10.3 Sleep Out –Command and self-diagnostic functions of the display module

10.3.1 Register loading Detection

Sleep Out-command is a trigger for an internal function of the display module, which indicates, if the display module loading function of factory default values from ROM to registers of the display controller is working properly.

There are compared factory values of the ROM and register values of the display controller by the display controller (1st step: compare register and ROM values, 2nd step: loads ROM values to registers). If those both values (ROM and register values) are same, there is inverted (= increased by 1) a bit, which is defined in command RDDSDR (The used bit of this command is D7). If those both values are not same, this bit (D7) is not inverted (= not increased by 1).

The flow chart for this internal function is following:

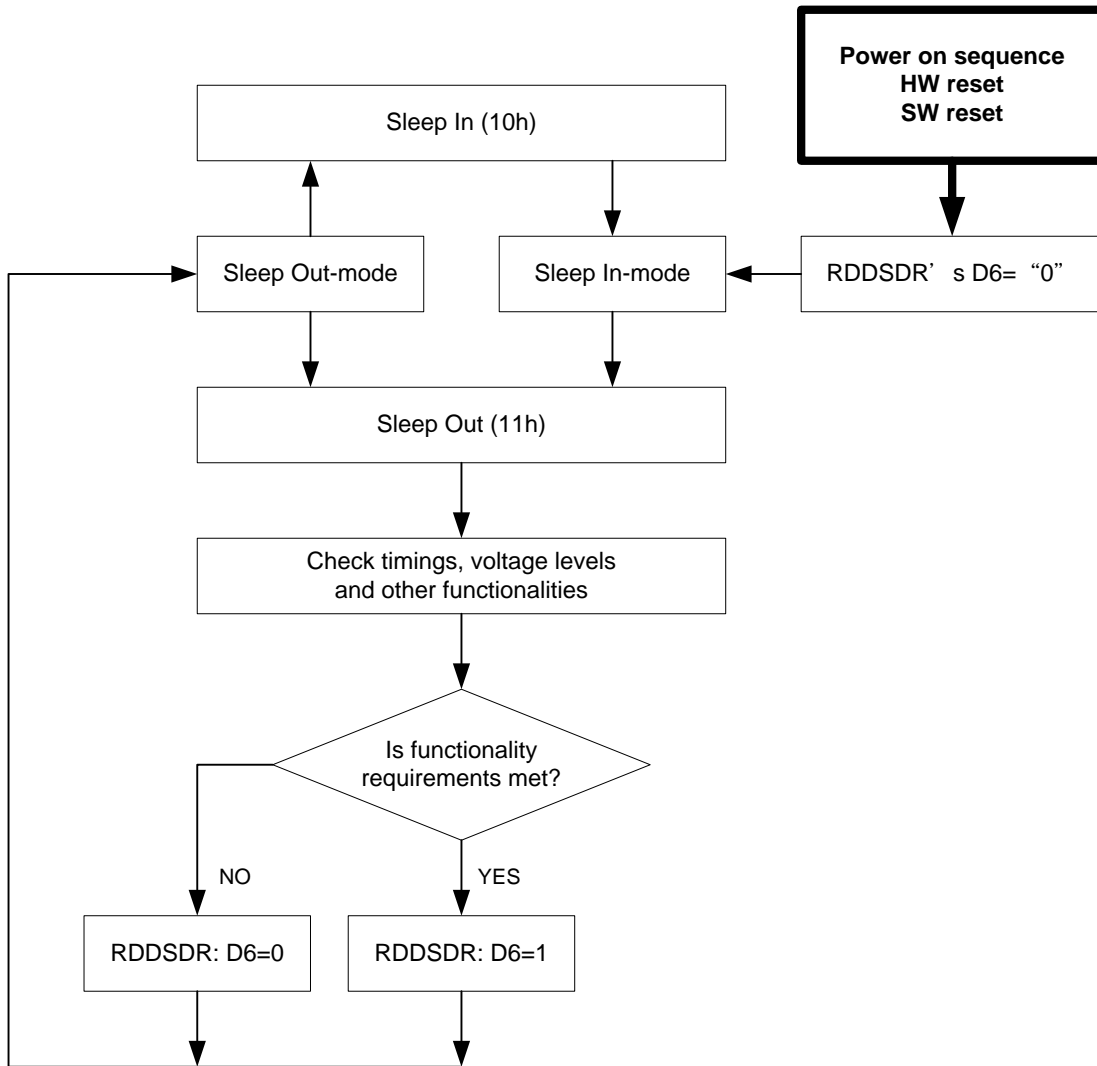


10.3.2 Functionality Detection

Sleep Out-command is a trigger for an internal function of the display module.

The internal function (= the display controller) is comparing if the display module is still meeting functionality requirements (e.g. booster voltage levels, timings, etc.). If functionality requirement is met, bit-6 of RDDSDR is set to 1, which defined in command Read Display Self-Diagnostic Result (RDDSDR). The used bit of this command is D6. If functionality requirement is not same, this bit (D6) is set to 0.

The flow chart for this internal function is following:



11 GAMMA CORRECTION

ST7701SN incorporate the gamma correction function to display 16M colors for the LCD panel. The gamma correction is performed with 3 groups of registers, which are gradient adjustment, contrast adjustment and fine- adjustment registers for positive and negative polarities, and RGB can be adjusted individually.

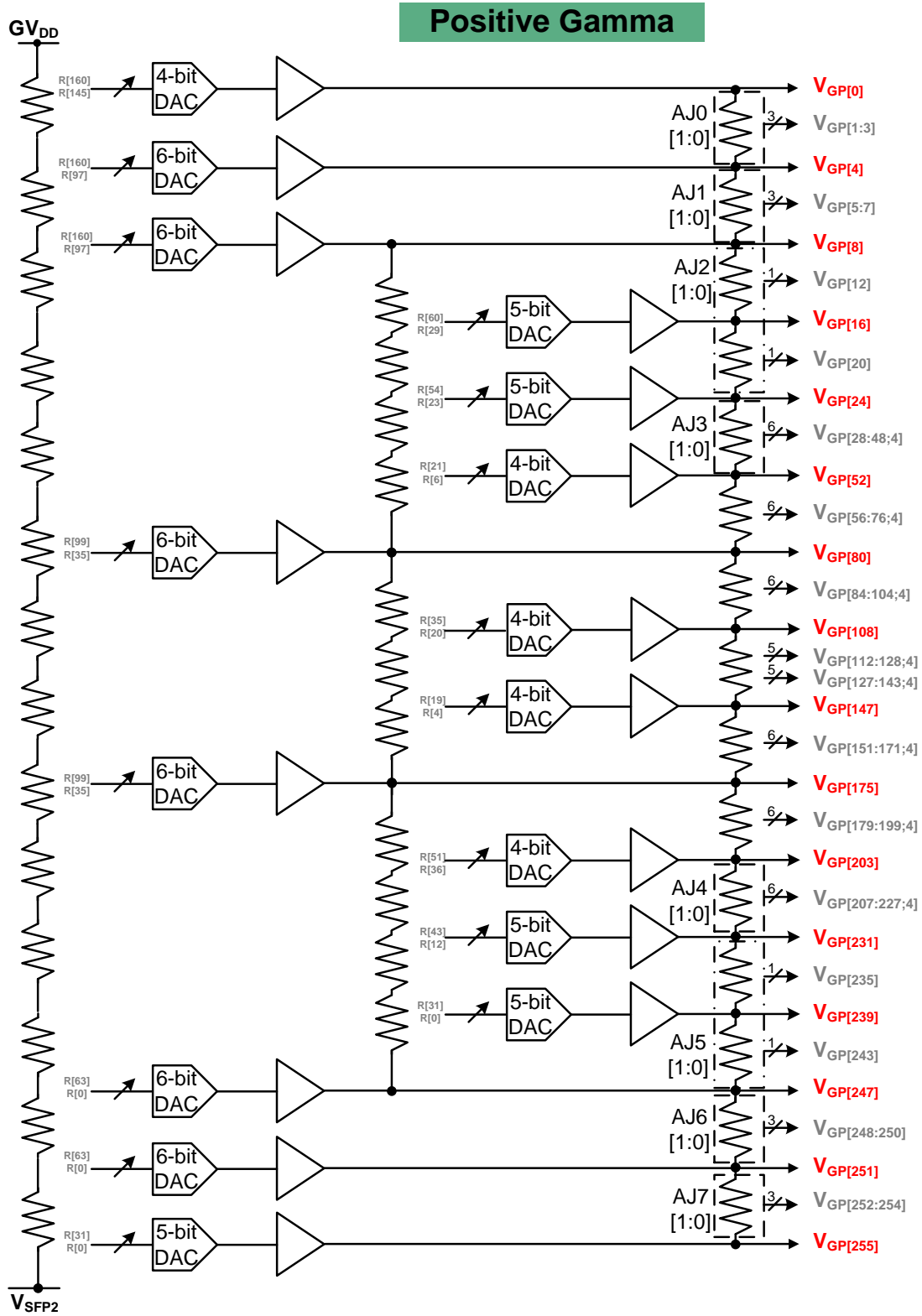


Figure 86 Gray scale Voltage Generation (Positive)

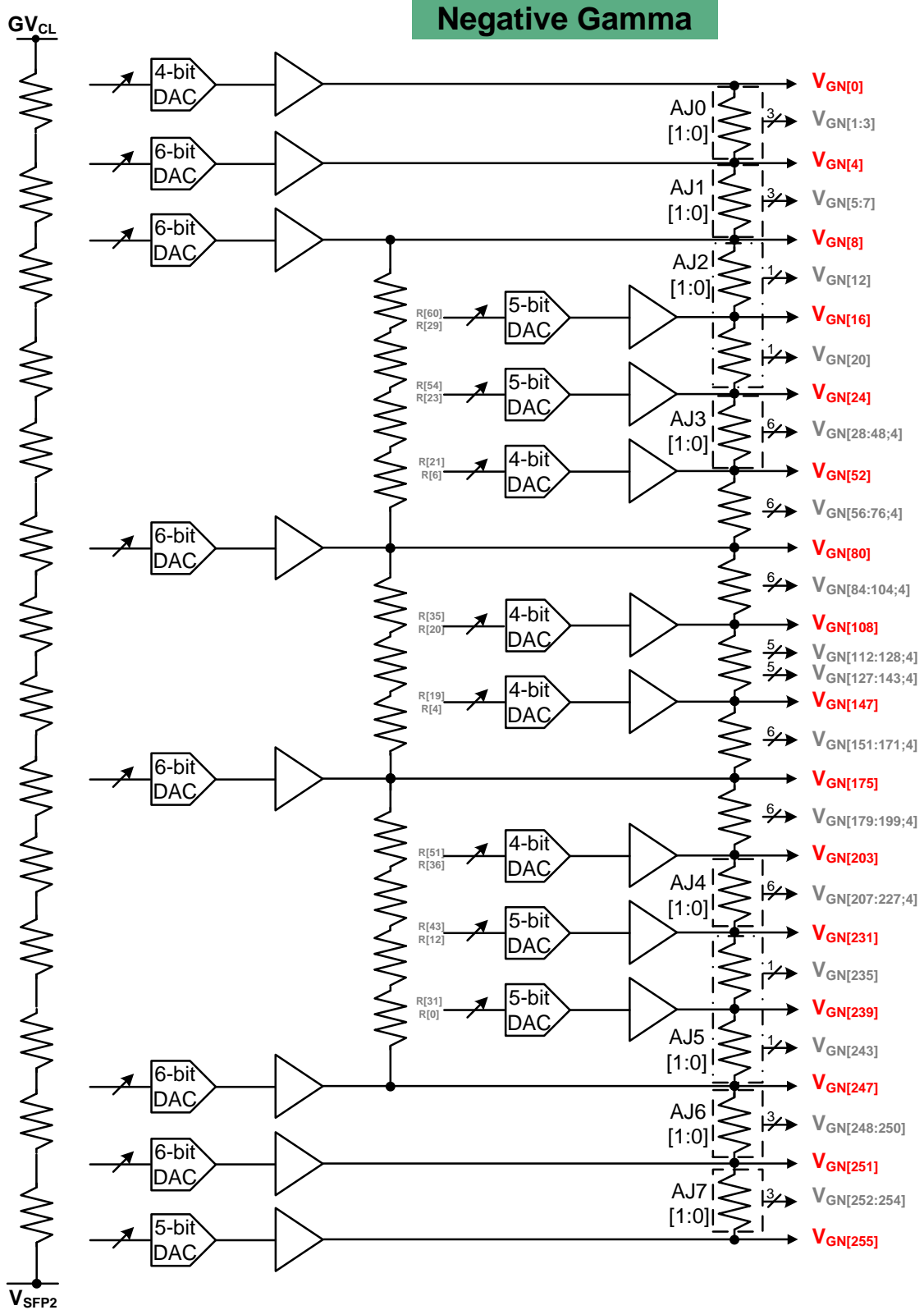


Figure 87 Gray scale Voltage Generation (Positive)

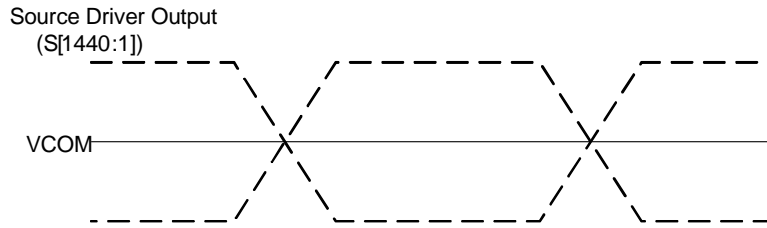


Figure 88 Relationship between Source Output and VCOM

Percentage adjustment:

AJ0P[1:0], AJ1P[1:0], AJ2P[1:0], AJ3P[1:0], AJ0N[1:0], AJ1N[1:0], AJ2N[1:0], AJ3N[1:0], these register are used to adjust the voltage level of interpolation point. The following table is the detail description.

AJ0P[1:0]/AJ0N[1:0]:

	00h	01h	02h	03h
VP1/VN1	75%	82.5%	79%	71%
VP2/VN2	50%	60%	55%	45%
VP3/VN3	25%	32.5%	29%	21%

AJ1P[1:0]/AJ1N[1:0]:

	00h	01h	02h	03h
VP5/VN5	68%	75%	78%	82%
VP6/VN6	41%	50%	55%	59%
VP7/VN7	18%	25%	28%	32%

AJ2P[1:0]/AJ2N[1:0]:

	00h	01h	02h	03h
VP12/VN12	65%	63%	67%	67%
VP16/VN16	39%	39%	39%	39%
VP20/VN20	15%	15%	15%	17%

AJ3P[1:0]/AJ3N[1:0]:

	00h	01h	02h	03h
VP28/VN28	77%	83%	80%	77%
VP32/VN32	63%	66%	63%	57%
VP40/VN40	48%	49%	49%	40%
VP44/VN44	34%	31%	34%	26%
VP48/VN48	23%	17%	20%	14%

AJ4P[1:0]/AJ4N[1:0]:

	00h	01h	02h	03h
VP207/VN207	89%	91%	94%	94%
VP211/VN211	77%	80%	83%	86%
VP215/VN215	66%	66%	69%	74%
VP219/VN219	51%	51%	51%	60%
VP223/VN223	37%	37%	34%	43%
VP227/VN227	23%	20%	17%	23%

AJ5P[1:0]/AJ5N[1:0]:

	00h	01h	02h	03h
VP235/VN235	84%	84%	81%	83%
VP239/VN239	59%	59%	59%	59%
VP243/VN243	32%	37%	32%	35%

AJ6P[1:0]/AJ6N[1:0]:

	00h	01h	02h	03h
VP248/VN248	83%	86%	78%	80%
VP249/VN249	61%	65%	54%	57%
VP250/VN250	33%	36%	28%	30%

AJ7P[1:0]/AJ7N[1:0]:

	00h	01h	02h	03h
VP252/VN252	85%	78%	82%	89%
VP253/VN253	64%	55%	59%	68%
VP254/VN254	35%	28%	32%	39%

Table 23 voltage level percentage adjustment description

11.1 Gray voltage generator for digital gamma correction

ST7701SN digital gamma function can implement the RGB gamma correction independently. ST7701SN utilizes look-up table of digital gamma to change ram data, and then display the changed data from source driver. The following diagram shows the data flow of digital gamma.

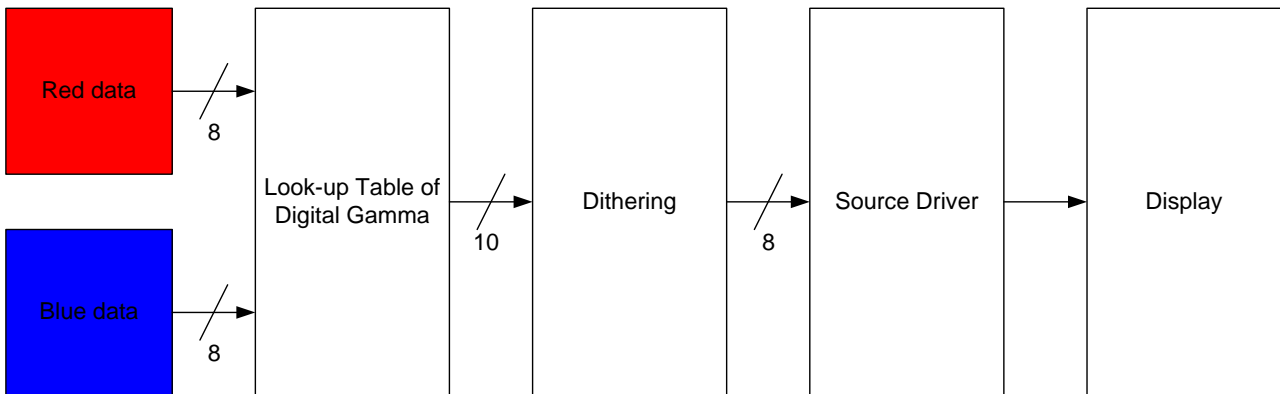


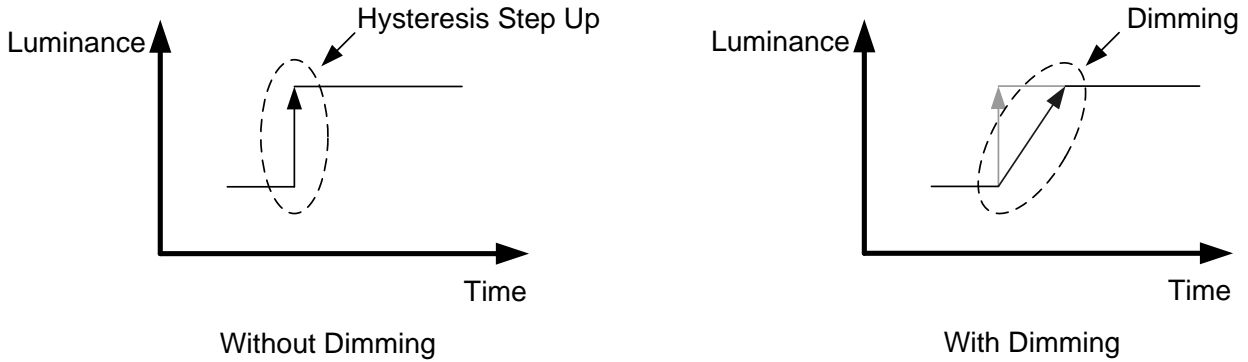
Figure 89 Block diagram of digital gamma

There are 2 registers and each register has 260 bytes to set R, G, B gamma independently. When bit DGMEN be set to 1, R and B gamma will be mapped via look-up table of digital gamma to gray level voltage.

11.2 Display Dimming

General Description

A dimming function (how fast to change the brightness from old to new level and what are brightness levels during the change) is used when changing from one brightness level to another. This dimming function curve is the same in increment and decrement. The basic idea is described below.



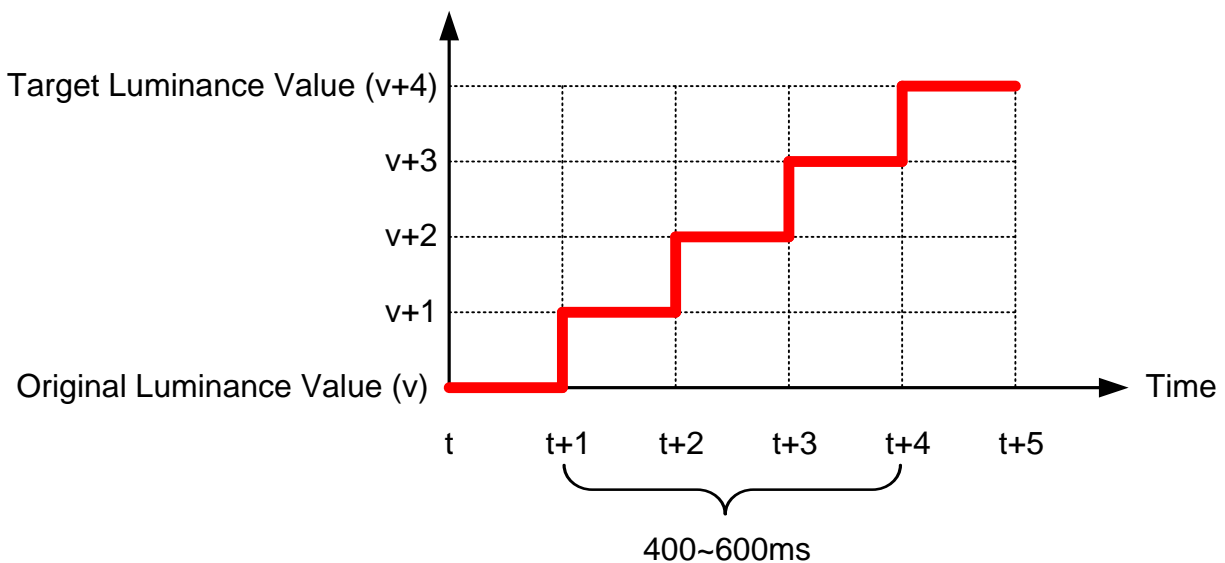
Dimming function can be enable and disable. See "Write CTRL Display (53h)" (bit DD) for more information.

Dimming Requirement

Dimming function in the display module should be implemented so that 400-600ms is used for the transition between the original brightness value and the target brightness value. The transferring time steps between these two brightness values are equal making the transition linear.

The dimming function is working similarly in both upward and downward directions.

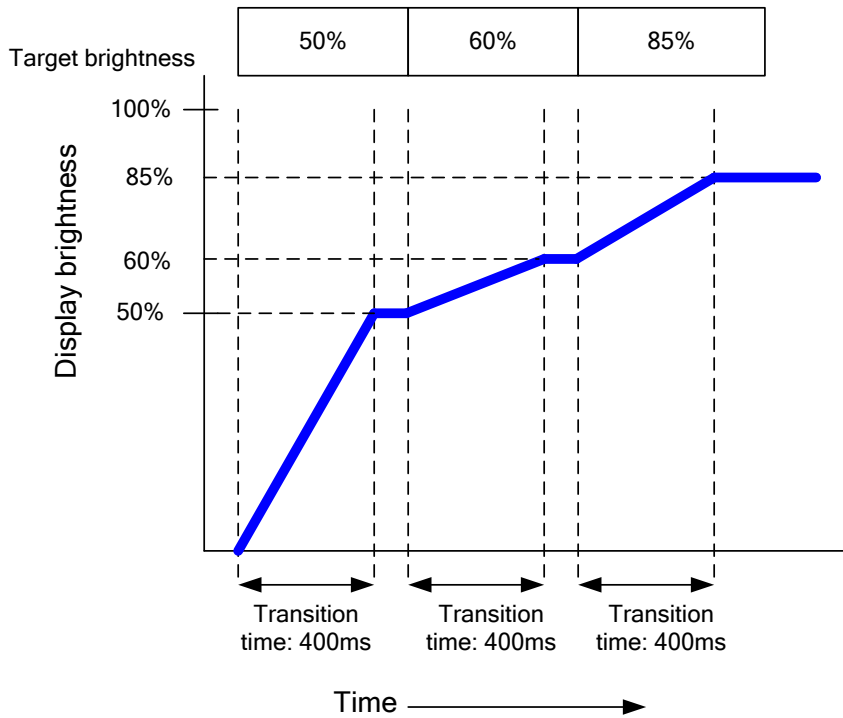
An upward example is illustrate below



Definition of brightness transition time

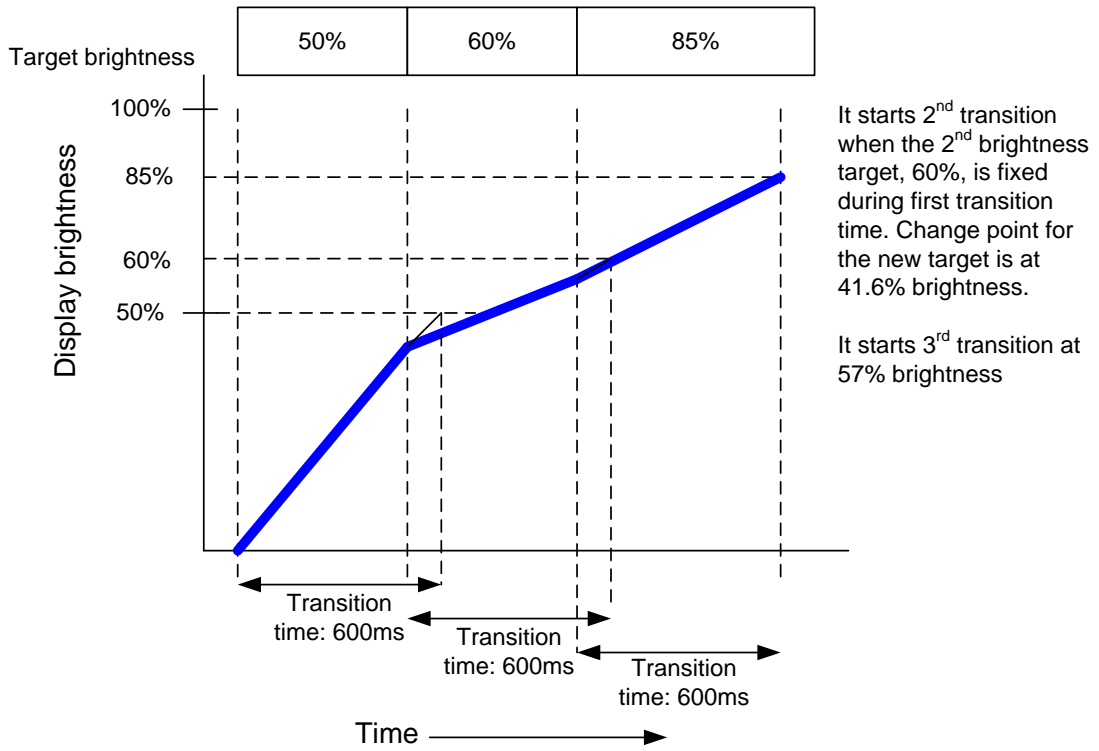
- Shorter transition time than 500ms.

There is some stable time between transitions. Below drawing is for transition time: 400ms.



- Longer transition time than 500ms

There is no any stable time between transitions. Below drawing is for transition time: 600ms.



11.3 Content Adaptive Brightness Control (CABC)

Definition of CABC

A Content Adaptive Brightness Control function can be used to reduce the power consumption of the luminance source. Content adaptation means that content gray level scale can be increased while simultaneously lowering brightness of the backlight to achieve same perceived brightness. The adjusted gray level scale and thus the power consumption reduction

Definition of Modes and target power reduction ratio:

- Off mode: Content Adaptive Brightness Control functionality is totally off.
- UI [User interface] image mode: Optimized for UI image. It is kept image quality as much as possible. Target power consumption reduction ratio: 10% or less.
- Still picture mode: Optimized for still picture. Some image quality degradation would be acceptable. Target power consumption reduction ratio: more than 30%.
- Moving image mode: Optimized for moving image. It is focused on the biggest power reduction with image quality degradation. Target power consumption reduction ratio: more than 30%.

Note 1: Updating partial area of the image data should be supported by CABC functionality.

Note 2: Processing power consumption of CABC should be minimized.

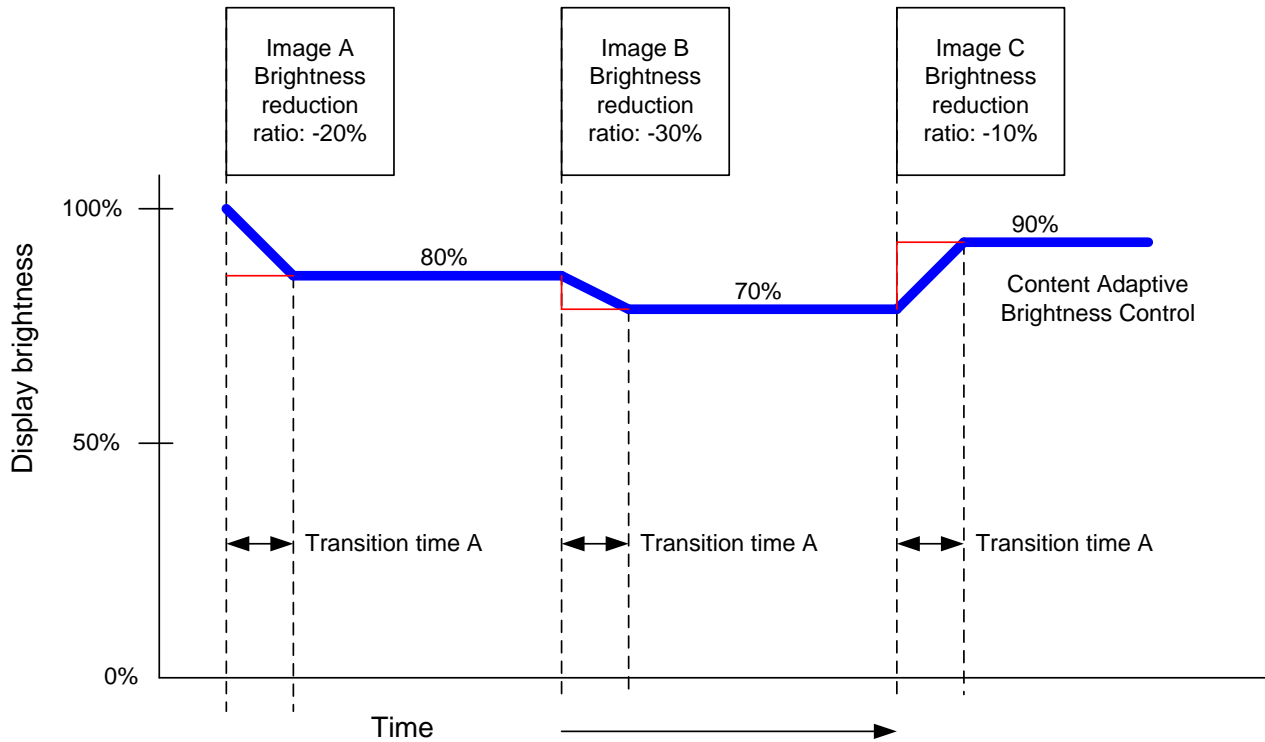
The transition time for dimming function is illustrated below.

- Content Adaptive Brightness Control

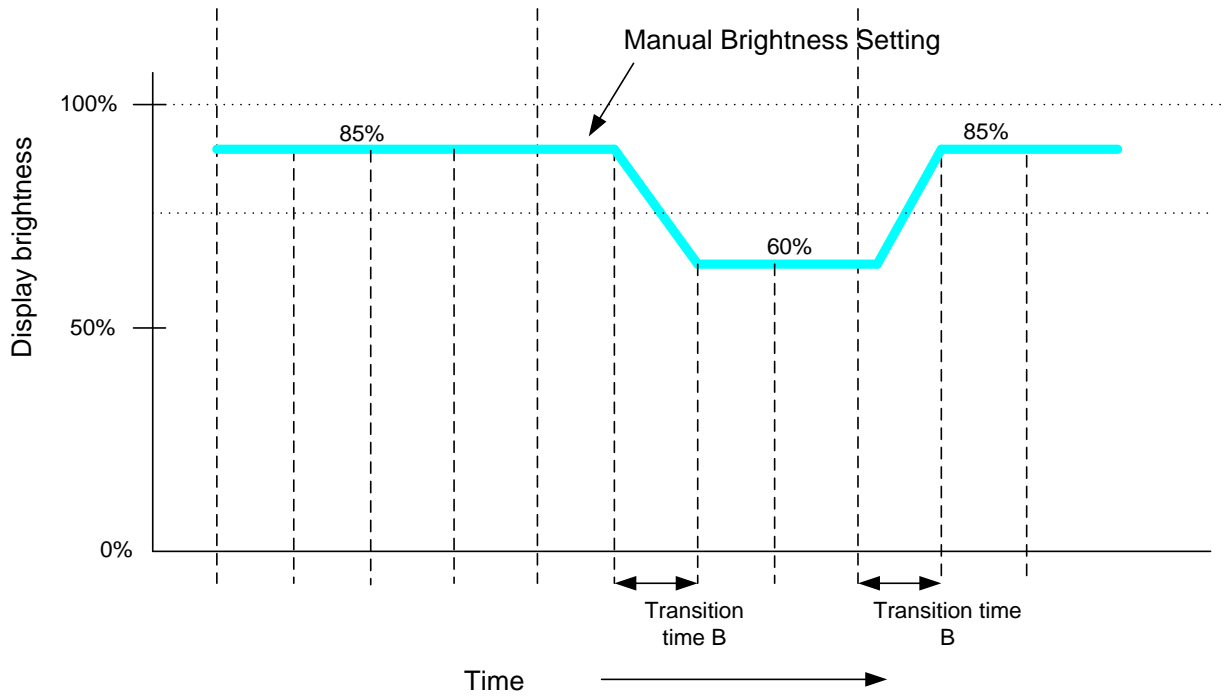
Display brightness is changed, according to the image contents. The following graph mentions the case of displaying three different images.

- Image A: -20% brightness reduction
- Image B: -30% brightness reduction
- Image C: -30% brightness reduction

Transition time from the previous image to the current displayed image is “transition time A”.



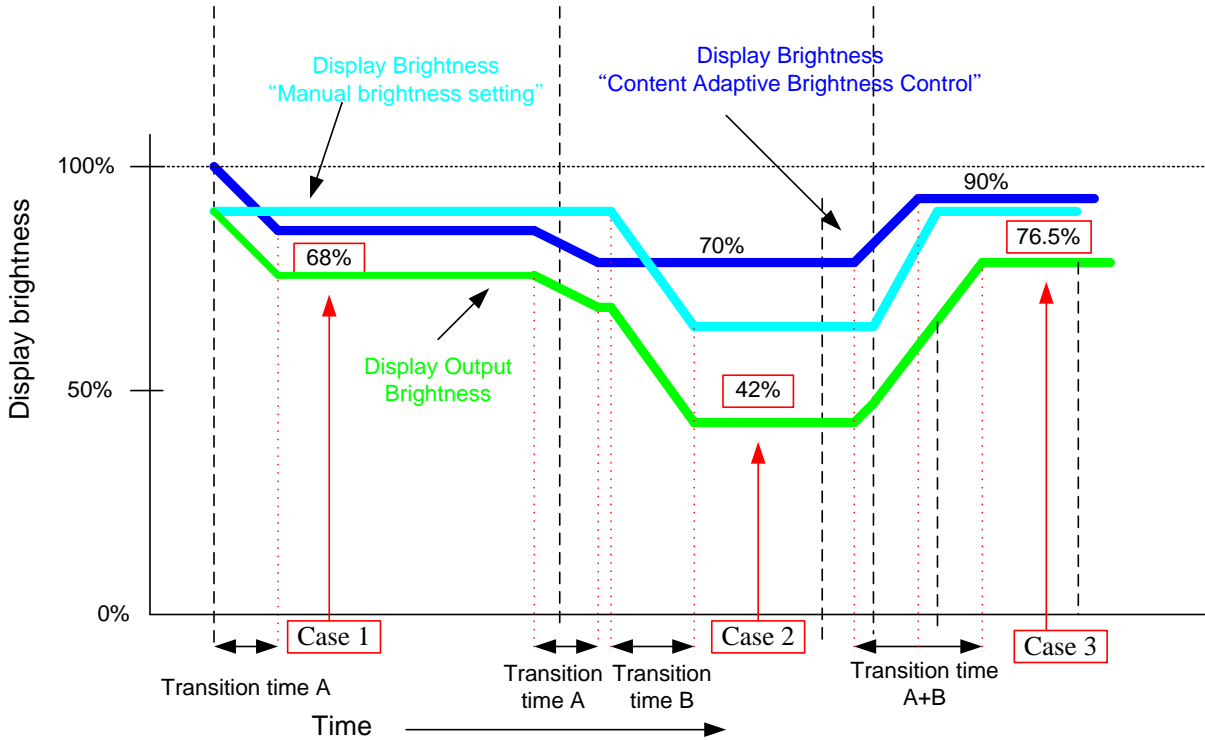
- Manual brightness setting and Dimming function



- Combine Display brightness

Green line in the following graph is for the output brightness of display. It is combined with both display brightness, which are defined in the above graphs.

Maximum transition time is transition time A+B.



Brightness level calculates with the following formula.

$$\text{Display Output brightness} = \text{Manual Brightness setting} * \text{CABC brightness ratio}$$

	Manual Brightness setting	Brightness ratio [CABC]	Display Output brightness
Case 1	85%	80%	68%
Case 2	60%	70%	42%
Case 3	85%	90%	76.5%

Transition time from the current brightness to target brightness is A+B in the worst case.

Minimum brightness setting of CABC function

CABC function is automatically reduced backlight brightness based on image contents. In the case of the combination with the LABC or manual brightness setting, display brightness is too dark. It must affect to image quality degradation. CABC minimum brightness setting is to avoid too much brightness reduction. When CABC is active, CABC can not reduce the display brightness to less than CABC minimum brightness setting. If CABC algorithm works without any abnormal visual effect, image processing function can operate even when the brightness can not be changed.

This function does not affect to the other function, manual brightness setting. Manual brightness can be set the display brightness to less than CABC minimum brightness. Smooth transition and dimming function can be worked as normal.

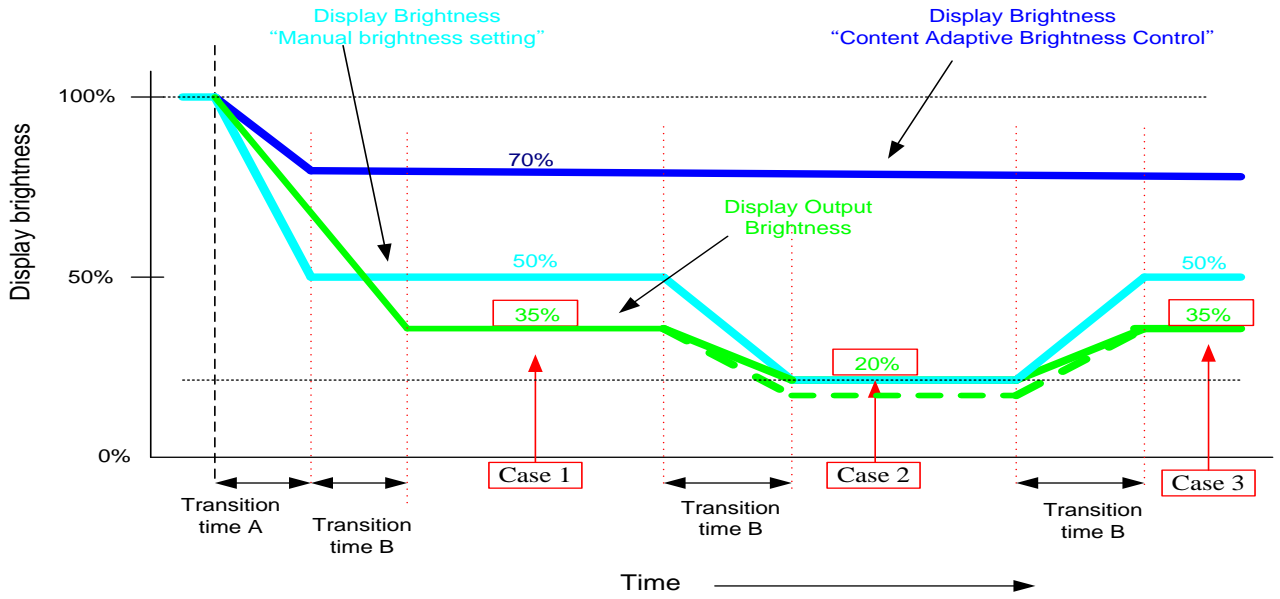
When display brightness is turned off (BCTRL=0 of the Write CTRL Display (53h)), CABC minimum brightness setting is ignored. "Read CABC minimum brightness (5Fh)" always read the setting value of "Write CABC minimum brightness (5Eh)".

	WRCABC (55h)	Function	RDCABCMB (5Fh)	Image
Sleep-in	--	NA	WRCABCMB (5Eh)	--
CABC off	00b	Disable	WRCABCMB (5Eh)	Original
CABC on	01b/10b/11b	Enable	WRCABCMB (5Eh)	CABC modified

Brightness level calculates with the following formula.

$$\text{Display Output Brightness} = \text{Manual brightness setting} * \text{CABC brightness ratio}$$

Below drawing is for the explanation of the CABC minimum brightness setting.



CABC minimum brightness value = 51 (33h: 20% display brightness)

	Display Brightness [manual setting]	Brightness ratio [CABC]	Calculation result of the display brightness formula	Display Output Brightness	Image
Case 1	50%	70%	35%	35%	CABC modified
Case 2	20%	70%	14%	20%	CABC modified
Case 3	50%	70%	35%	35%	CABC modified

At the case 2, the calculation result of the display brightness is 14%. CABC minimum brightness value is set to 20% brightness. Actual display brightness is 20% as the CABC minimum brightness setting.

12 COMMAND

12.1 Command Transmission Mode on MIPI Interface

Command	MIPI Transmission Mode
Command Table1	LPDT / HSDT
Command Table2	LPDT

12.2 System Function Command Table 1

Instruction	Address		R/W/ C	PNUM	D7	D6	D5	D4	D3	D2	D1	D0	Function
	MIPI	SPI-16											
NOP	00h	0000h	C	0	0	0	0	0	0	0	0	0	No operation
SWRESET	01h	0100h	C	0	0	0	0	0	0	0	0	1	Software reset
RDDID	04h	0400h	R	3	ID1[7:0]							ID1 read	
		0401h			ID2[7:0]							ID2 read	
		0402h			ID3[7:0]							ID3 read	
RDDNUMED	05h	0500h	R	1	ErrOver	Err[6:0]						Read No. of the Errors on DSI only	
RDRED	06h	0600h	R	1	R_1st[7:0]							Read the first pixel of Color R	
RDGREEN	07h	0700h	R	1	G_1st[7:0]							Read the first pixel of Color G	
RDBLUE	08h	0800h	R	1	B_1st[7:0]							Read the first pixel of Color B	
RDDPDM	0Ah	0A00h	R	1	BSTON	0	0	SLPOUT	1	DISON	--	--	Read Display Power Mode
RDDMADCTL	0Bh	0B00h	R	1	--	--	--	ML	BGR	--	--	--	Read Display MADCTR
RDDCOLMOD	0Ch	0C00h	R	1	--	VIPF[2:0]		--	--	--	--	--	Read Display Pixel Format
RDDIM	0Dh	0D00h	R	1	--	--	INVON	ALPXLON	ALPXL0FF	GCS[2:0]			Read Display Image Mode
RDDSM	0Eh	0E00h	R	1	TEON	TELMD	--	--	--	--	--	--	Read Display Signal Mode
RDDSDR	0Fh	0F00h	R	1	RLD	FUND	0	0	--	--	--	--	Read Display Self-diagnostic result
SLPIN	10h	1000h	C	0	0	0	0	1	0	0	0	0	Sleep in
SLPOUT	11h	1100h	C	0	0	0	0	1	0	0	0	1	Sleep out
PTLON	12h	1200h	C	0	0	0	0	1	0	0	1	0	Partial mode on
NORON	13h	1300h	C	0	0	0	0	1	0	0	1	1	Normal display mode on
INVOFF	20h	2000h	C	0	0	0	1	0	0	0	0	0	Display inversion off (normal)
INVON	21h	2100h	C	0	0	0	1	0	0	0	0	1	Display inversion on
ALLPOFF	22h	2200h	C	0	0	0	1	0	0	0	1	0	All pixel off (black)
ALLPON	23h	2300h	C	0	0	0	1	0	0	0	1	1	All pixel on (white)
GAMSET	26h	2600h	W	1	--	--	--	--	GC[3:0]			Gamma curve select	
DISPOFF	28h	2800h	C	0	0	0	1	0	1	0	0	0	Display off
DISPON	29h	2900h	C	0	0	0	1	0	1	0	0	1	Display on

Instruction	Address		R/W/ C	PNUM	D7	D6	D5	D4	D3	D2	D1	D0	Function
	MIPI	SPI-16											
TEOFF	34h	3400h	C	0	0	0	1	1	0	1	0	0	Tearing effect line off
TEON	35h	3500h	W	0	0	0	1	1	0	1	0	1	Tearing effect line on
MADCTL	36h	3600h	W	1	--	--	--	ML	BGR	--	--	--	Display data access control
IDMOFF	38h	3800h	C	0	--	--	--	--	--	--	--	--	Idle mode off
IDMON	39h	3900h	C	0	--	--	--	--	--	--	--	--	Idle mode on
COLMOD	3Ah	3A00h	W	0	--	VIPF[2:0]		--	--	--	--	--	Interface Pixel Format
GSL	45h	4500h	R	2	TESL[15:8]								Read Tear line
		4501h			TESL[7:0]								
WRDIBV	51h	5100h	W	1	DBV[7:0]								Write display brightness
RDDISBV	52h	5200h	R	1	DBV[7:0]								Read display brightness value
WRCTRLD	53h	5300h	W	1	--	--	BCTRL	--	DD	BL	--	--	Write control display
RRCTRLD	54h	5400h	R	1	--	--	BCTRL	--	DD	BL	--	--	Read control display value
WRCABC	55h	5500h	W	1	CE_ON	--	CE_MD[1:0]		--	--	CABC_MD[1:0]		Write CABC mode
RRCABC	56h	5600h	R	1	CE_ON	--	CE_MD[1:0]		--	--	CABC_MD[1:0]		Read CABC mode
WRCABCMB	5Eh	5E00h	W	1	CMB[7:0]								Write CABC minimum brightness
RRCABCMB	5Fh	5F00h	R	1	CMB[7:0]								Read CABC minimum brightness
RDABCSD	68h	6800h	R	1	RLD	FUND	--	--	--	--	--	--	Read Automatic Brightness Control Self-Diagnostic Result
RDBWLB	70h	7000h	R	1	BKx1	BKx0	BKy1	BKy0	Wx1	Wx0	Wy1	Wy0	Read Black/White Low Bits
RDBkx	71h	7100h	R	1	BKx9	BKx8	BKx7	BKx6	BKx5	BKx4	BKx3	BKx2	Read BKx
RDBky	72h	7200h	R	1	BKy9	BKy8	BKy7	BKy6	BKy5	BKy4	BKy3	BKy2	Read Bky
RDWx	73h	7300h	R	1	Wx9	Wx8	Wx7	Wx6	Wx5	Wx4	Wx3	Wx2	Read Wx
RDWy	74h	7400h	R	1	Wy9	Wy8	Wy7	Wy6	Wy5	Wy4	Wy3	Wy2	Read Wy
RDRGLB	75h	7500h	R	1	Rx1	Rx0	Ry1	Ry0	Gx1	Gx0	Gy1	Gy0	Read Red/Green Low bits
RDRx	76h	7600h	R	1	Rx9	Rx8	Rx7	Rx6	Rx5	Rx4	Rx3	Rx2	Read Rx
RDRy	77h	7700h	R	1	Ry9	Ry8	Ry7	Ry6	Ry5	Ry4	Ry3	Ry2	Read Ry
RDGx	78h	7800h	R	1	Gx9	Gx8	Gx7	Gx6	Gx5	Gx4	Gx3	Gx2	Read Gx
RDGy	79h	7900h	R	1	Gy9	Gy8	Gy7	Gy6	Gy5	Gy4	Gy3	Gy2	Read Gy
RDBALB	7Ah	7A00h	R	1	Bx1	Bx0	By1	By0	Ax1	Ax0	Ay1	Ay0	Blue/AColour Low Bits
RDBx	7Bh	7B00h	R	1	Bx9	Bx8	Bx7	Bx6	Bx5	Bx4	Bx3	Bx2	Read Bx
RDBy	7Ch	7C00h	R	1	By9	By8	By7	By6	By5	By4	By3	By2	Read By
RDAX	7Dh	7D00h	R	1	Ax9	Ax8	Ax7	Ax6	Ax5	Ax4	Ax3	Ax2	Read Ax
RDAy	7Eh	7E00h	R	1	Ay9	Ay8	Ay7	Ay6	Ay5	Ay4	Ay3	Ay2	Read Ay

Instruction	Address		R/W/ C	PNUM	D7	D6	D5	D4	D3	D2	D1	D0	Function
	MIPI	SPI-16											
RDDDDBS/ CHKSUM	A1h	A100h	R	5	0x99							Read the DDB from the provided location	
		A101h			0x03								
		A102h			MID[15:8]								
		A103h			MID[7:0]								
		A104h			8'hff								
RDDDDBC	A8h	A800h	R	5	SID[15:8]							Continue reading the DDB from the last read location	
		A801h			SID[7:0]								
		A802h			MID[15:8]								
		A803h			MID[7:0]								
		A804h			8'hff								
RDFCS	AAh	AA00h	R	1	FCS[7:0]							Read First Checksum	
RDCCS	AFh	AF00h	R	1	CCS[7:0]							Read Continue Checksum	
RDID1	DAh	DA00h	R	1	ID1[7:0]							Read ID1	
RDID2	DBh	DB00h	R	1	ID2[7:0]							Read ID2	
RDID3	DCh	DC00h	R	1	ID3[7:0]							Read ID3	

Table 24 System Function Command List
Note:

1. In MIPI interface, parameters of the command are stores onto registers when the last parameter of the command has been received. Also, parameters of the command are not stored onto registers if there has been happen a break. This note is valid when a number of the parameters is equal or less than 32.
2. The 8-bit address code for "MIPI" in above table and following command description means include 3-wire 9-bit SPI and 4-wire 8-bit SPI.

12.2.1 NOP (00/0000h)

00H	NOP (No Operation)											
Inst / Para	R/W	Address		D15-8	D7	D6	D5	D4	D3	D2	D1	D0
		MIPI	SPI-16									
NOP	W	00h	0000h	No Argument								
Parameter	No Parameter											
Description	This command is empty command. It does not have effect on the display module. However it can be used to terminate parameter write commands.											
Restriction												
Register Availability	Status				Availability							
	Normal Mode On, Idle Mode Off, Sleep Out				Yes							
	Normal Mode On, Idle Mode On, Sleep Out				Yes							
	Partial Mode On, Idle Mode Off, Sleep Out				Yes							
	Partial Mode On, Idle Mode On, Sleep Out				Yes							
	Sleep In				Yes							
Default	Status				Default Value							
	Power On Sequence				N/A							
	S/W Reset				N/A							
	H/W Reset				N/A							
Flow Chart												

12.2.2 SWRESET (01h/0100h): Software Reset

01H		SWRESET (Software Reset)																						
Inst / Para	R/W	Address		D15-8	D7	D6	D5	D4	D3	D2	D1	D0												
		MIPI	SPI-16																					
SWRESET	W	01h	0100h	xx	0	0	0	0	0	0	0	1												
Parameter	No Parameter																							
Description	“-“ Don't care -The display module performs a software reset, registers are written with their SW reset default values. -Frame memory contents are unaffected by this command.																							
Restriction	It will be necessary to wait 5msec before sending new command following software reset. The display module loads all display suppliers' factory default values to the registers during this 5msec. If software reset is sent during sleep in mode, it will be necessary to wait 120msec before sending sleep out command. Software reset command cannot be sent during sleep out sequence. When MIPI Video Mode application, the shut down packet should be sent (leave to video mode) before S/W reset																							
Register Availability	<table border="1"> <thead> <tr> <th>Status</th> <th>Availability</th> </tr> </thead> <tbody> <tr> <td>Normal Mode On, Idle Mode Off, Sleep Out</td> <td>Yes</td> </tr> <tr> <td>Normal Mode On, Idle Mode On, Sleep Out</td> <td>Yes</td> </tr> <tr> <td>Partial Mode On, Idle Mode Off, Sleep Out</td> <td>Yes</td> </tr> <tr> <td>Partial Mode On, Idle Mode On, Sleep Out</td> <td>Yes</td> </tr> <tr> <td>Sleep In</td> <td>Yes</td> </tr> </tbody> </table>												Status	Availability	Normal Mode On, Idle Mode Off, Sleep Out	Yes	Normal Mode On, Idle Mode On, Sleep Out	Yes	Partial Mode On, Idle Mode Off, Sleep Out	Yes	Partial Mode On, Idle Mode On, Sleep Out	Yes	Sleep In	Yes
Status	Availability																							
Normal Mode On, Idle Mode Off, Sleep Out	Yes																							
Normal Mode On, Idle Mode On, Sleep Out	Yes																							
Partial Mode On, Idle Mode Off, Sleep Out	Yes																							
Partial Mode On, Idle Mode On, Sleep Out	Yes																							
Sleep In	Yes																							
Default	<table border="1"> <thead> <tr> <th>Status</th> <th>Default Value</th> </tr> </thead> <tbody> <tr> <td>Power On Sequence</td> <td>N/A</td> </tr> <tr> <td>S/W Reset</td> <td>N/A</td> </tr> <tr> <td>H/W Reset</td> <td>N/A</td> </tr> </tbody> </table>												Status	Default Value	Power On Sequence	N/A	S/W Reset	N/A	H/W Reset	N/A				
Status	Default Value																							
Power On Sequence	N/A																							
S/W Reset	N/A																							
H/W Reset	N/A																							
Flow Chart	<pre> graph TD Host[Host] -- "SWRESET (01h)" --> Driver[Driver] Driver --> Display[Display whole Blank screen] Display --> Set[Set Command To S/W Default Value] Set --> Mode[Mode] </pre>																							

12.2.3 RDDID (04h/0400h~0402h): Read Display ID

04H		RDDID (Read Display ID)																													
Inst / Para	R/W	Address		D15-8	D7	D6	D5	D4	D3	D2	D1	D0																			
		MIPI	SPI-16																												
RDDID	R	04h	0400h	00h	ID1[7:0]																										
			0401h	00h	ID2[7:0]																										
			0402h	00h	ID3[7:0]																										
Description	-This read byte returns 24-bit display identification information. -The 1 st parameter is dummy data -The 2 nd parameter (ID1): LCD module's manufacturer ID. -The 3 rd parameter (ID2): LCD module/driver version ID -The 4 th parameter (ID3): LCD module/driver ID. -Commands RDID1/2/3(DAh, DBh, DCh) read data correspond to the parameters 2,3,4 of the command 04h, respectively.																														
Restriction	-																														
Register availability	<table border="1"> <thead> <tr> <th>Status</th> <th>Availability</th> </tr> </thead> <tbody> <tr> <td>Normal Mode On, Idle Mode Off, Sleep Out</td> <td>Yes</td> </tr> <tr> <td>Normal Mode On, Idle Mode On, Sleep Out</td> <td>Yes</td> </tr> <tr> <td>Partial Mode On, Idle Mode Off, Sleep Out</td> <td>Yes</td> </tr> <tr> <td>Partial Mode On, Idle Mode On, Sleep Out</td> <td>Yes</td> </tr> <tr> <td>Sleep In</td> <td>Yes</td> </tr> </tbody> </table>												Status	Availability	Normal Mode On, Idle Mode Off, Sleep Out	Yes	Normal Mode On, Idle Mode On, Sleep Out	Yes	Partial Mode On, Idle Mode Off, Sleep Out	Yes	Partial Mode On, Idle Mode On, Sleep Out	Yes	Sleep In	Yes							
Status	Availability																														
Normal Mode On, Idle Mode Off, Sleep Out	Yes																														
Normal Mode On, Idle Mode On, Sleep Out	Yes																														
Partial Mode On, Idle Mode Off, Sleep Out	Yes																														
Partial Mode On, Idle Mode On, Sleep Out	Yes																														
Sleep In	Yes																														
Default	<table border="1"> <thead> <tr> <th rowspan="2">Status</th> <th colspan="3">Default Value</th> </tr> <tr> <th>ID1</th> <th>ID2</th> <th>ID3</th> </tr> </thead> <tbody> <tr> <td>Power On Sequence</td> <td>0xFF</td> <td>0xFF</td> <td>0xFF</td> </tr> <tr> <td>S/W Reset</td> <td>0xFF</td> <td>0xFF</td> <td>0xFF</td> </tr> <tr> <td>H/W Reset</td> <td>0xFF</td> <td>0xFF</td> <td>0xFF</td> </tr> </tbody> </table>												Status	Default Value			ID1	ID2	ID3	Power On Sequence	0xFF	0xFF	0xFF	S/W Reset	0xFF	0xFF	0xFF	H/W Reset	0xFF	0xFF	0xFF
Status	Default Value																														
	ID1	ID2	ID3																												
Power On Sequence	0xFF	0xFF	0xFF																												
S/W Reset	0xFF	0xFF	0xFF																												
H/W Reset	0xFF	0xFF	0xFF																												
Flow Chart	<pre> graph TD Host[Host] -- Command RDDID(04h) --> Driver[Driver] Driver -- Send 1st Parameter ID1[7:0] --> ID1[/Send 1st Parameter ID1[7:0]/] ID1 --> ID2[/Send 2nd Parameter ID2[7:0]/] ID2 --> ID3[/Send 3rd Parameter ID3[7:0]/] </pre>																														

12.2.4 RDNUMED (05h/0500h): Read Number of Errors on DSI

05H		RDNUMED																								
Inst / Para	R/W	Address		D15-8	D7	D6	D5	D4	D3	D2	D1	D0														
		Others	SPI-16																							
RDNUMED	R	05h	X	X	Errover	Err[6:0]																				
Description	<p>The first parameter is telling a number of the parity errors on DSI. The more detailed description of the bits is below.</p> <p>Err[6:0] bits are telling a number of the parity errors.</p> <p>Errover is set to "1" if there is overflow with P[6..0] bits.</p> <p>This command is used for MIPI DSI only. It is no function for others interface operation.</p>																									
Restriction	-																									
Register availability	<table border="1"> <thead> <tr> <th>Status</th> <th>Availability</th> </tr> </thead> <tbody> <tr> <td>Normal Mode On, Idle Mode Off, Sleep Out</td> <td>Yes</td> </tr> <tr> <td>Normal Mode On, Idle Mode On, Sleep Out</td> <td>Yes</td> </tr> <tr> <td>Partial Mode On, Idle Mode Off, Sleep Out</td> <td>Yes</td> </tr> <tr> <td>Partial Mode On, Idle Mode On, Sleep Out</td> <td>Yes</td> </tr> <tr> <td>Sleep In</td> <td>Yes</td> </tr> </tbody> </table>												Status	Availability	Normal Mode On, Idle Mode Off, Sleep Out	Yes	Normal Mode On, Idle Mode On, Sleep Out	Yes	Partial Mode On, Idle Mode Off, Sleep Out	Yes	Partial Mode On, Idle Mode On, Sleep Out	Yes	Sleep In	Yes		
Status	Availability																									
Normal Mode On, Idle Mode Off, Sleep Out	Yes																									
Normal Mode On, Idle Mode On, Sleep Out	Yes																									
Partial Mode On, Idle Mode Off, Sleep Out	Yes																									
Partial Mode On, Idle Mode On, Sleep Out	Yes																									
Sleep In	Yes																									
Default	<table border="1"> <thead> <tr> <th rowspan="2">Status</th> <th colspan="2">Default Value</th> </tr> <tr> <th>Errover</th> <th>Err[6:0]</th> </tr> </thead> <tbody> <tr> <td>Power On Sequence</td> <td>0</td> <td>000-0000</td> </tr> <tr> <td>S/W Reset</td> <td>0</td> <td>000-0000</td> </tr> <tr> <td>H/W Reset</td> <td>0</td> <td>000-0000</td> </tr> </tbody> </table>												Status	Default Value		Errover	Err[6:0]	Power On Sequence	0	000-0000	S/W Reset	0	000-0000	H/W Reset	0	000-0000
Status	Default Value																									
	Errover	Err[6:0]																								
Power On Sequence	0	000-0000																								
S/W Reset	0	000-0000																								
H/W Reset	0	000-0000																								
Flow Chart																										

12.2.5 RDRED (06h/0600h): Read the first pixel of Red Color

06H		RDRED																						
Inst / Para	R/W	Address		D15-8	D7	D6	D5	D4	D3	D2	D1	D0												
		MIPI	SPI-16																					
RDRED	R	X	0600h	X	R_1st[7:0]																			
Description	<p>This command returns the red component value of the first pixel in the active frame. Only the relevant bits are used according to pixel format, unused bits are set to "0". -16-bit format: R4 is MSB and R0 is LSB. R7, R6 and R5 are set to "0". -18-bit format: R5 is MSB and R0 is LSB. R7 and R6 are set to "0". -24-bit format: R7 is MSB and R0 is LSB.</p>																							
Restriction	-																							
Register availability	<table border="1"> <thead> <tr> <th>Status</th> <th>Availability</th> </tr> </thead> <tbody> <tr> <td>Normal Mode On, Idle Mode Off, Sleep Out</td> <td>Yes</td> </tr> <tr> <td>Normal Mode On, Idle Mode On, Sleep Out</td> <td>Yes</td> </tr> <tr> <td>Partial Mode On, Idle Mode Off, Sleep Out</td> <td>Yes</td> </tr> <tr> <td>Partial Mode On, Idle Mode On, Sleep Out</td> <td>Yes</td> </tr> <tr> <td>Sleep In</td> <td>Yes</td> </tr> </tbody> </table>												Status	Availability	Normal Mode On, Idle Mode Off, Sleep Out	Yes	Normal Mode On, Idle Mode On, Sleep Out	Yes	Partial Mode On, Idle Mode Off, Sleep Out	Yes	Partial Mode On, Idle Mode On, Sleep Out	Yes	Sleep In	Yes
Status	Availability																							
Normal Mode On, Idle Mode Off, Sleep Out	Yes																							
Normal Mode On, Idle Mode On, Sleep Out	Yes																							
Partial Mode On, Idle Mode Off, Sleep Out	Yes																							
Partial Mode On, Idle Mode On, Sleep Out	Yes																							
Sleep In	Yes																							
Default	<table border="1"> <thead> <tr> <th>Status</th> <th>Default Value (D7 to D0)</th> </tr> </thead> <tbody> <tr> <td>Power On Sequence</td> <td>00h</td> </tr> <tr> <td>S/W Reset</td> <td>00h</td> </tr> <tr> <td>H/W Reset</td> <td>00h</td> </tr> </tbody> </table>												Status	Default Value (D7 to D0)	Power On Sequence	00h	S/W Reset	00h	H/W Reset	00h				
Status	Default Value (D7 to D0)																							
Power On Sequence	00h																							
S/W Reset	00h																							
H/W Reset	00h																							
Flow Chart	<pre> graph TD Host[Host] -- RDRED(06h) --> Driver[Driver] Driver --> Dummy[/Dummy Read/] Dummy --> Send[/Send R[7:0] data/] </pre>																							

12.2.6 RDGREEN (07h/0700h): Read the first pixel of Green Color

07H		RDGREEN																						
Inst / Para	R/W	Address		D15-8	D7	D6	D5	D4	D3	D2	D1	D0												
		MIPI	SPI-16																					
RDGREEN	R	X	0700h	X	G_1st[7:0]																			
Description	<p>This command returns the green component value of the first pixel in the active frame. Only the relevant bits are used according to pixel format, unused bits are set to "0". -16-bit format: G4 is MSB and G0 is LSB. G7, G6 and G5 are set to "0". -18-bit format: G5 is MSB and G0 is LSB. G7 and G6 are set to "0". -24-bit format: G7 is MSB and G0 is LSB.</p>																							
Restriction	-																							
Register availability	<table border="1"> <thead> <tr> <th>Status</th> <th>Availability</th> </tr> </thead> <tbody> <tr> <td>Normal Mode On, Idle Mode Off, Sleep Out</td> <td>Yes</td> </tr> <tr> <td>Normal Mode On, Idle Mode On, Sleep Out</td> <td>Yes</td> </tr> <tr> <td>Partial Mode On, Idle Mode Off, Sleep Out</td> <td>Yes</td> </tr> <tr> <td>Partial Mode On, Idle Mode On, Sleep Out</td> <td>Yes</td> </tr> <tr> <td>Sleep In</td> <td>Yes</td> </tr> </tbody> </table>												Status	Availability	Normal Mode On, Idle Mode Off, Sleep Out	Yes	Normal Mode On, Idle Mode On, Sleep Out	Yes	Partial Mode On, Idle Mode Off, Sleep Out	Yes	Partial Mode On, Idle Mode On, Sleep Out	Yes	Sleep In	Yes
Status	Availability																							
Normal Mode On, Idle Mode Off, Sleep Out	Yes																							
Normal Mode On, Idle Mode On, Sleep Out	Yes																							
Partial Mode On, Idle Mode Off, Sleep Out	Yes																							
Partial Mode On, Idle Mode On, Sleep Out	Yes																							
Sleep In	Yes																							
Default	<table border="1"> <thead> <tr> <th>Status</th> <th>Default Value (D7 to D0)</th> </tr> </thead> <tbody> <tr> <td>Power On Sequence</td> <td>00h</td> </tr> <tr> <td>S/W Reset</td> <td>00h</td> </tr> <tr> <td>H/W Reset</td> <td>00h</td> </tr> </tbody> </table>												Status	Default Value (D7 to D0)	Power On Sequence	00h	S/W Reset	00h	H/W Reset	00h				
Status	Default Value (D7 to D0)																							
Power On Sequence	00h																							
S/W Reset	00h																							
H/W Reset	00h																							
Flow Chart	<pre> graph TD Host[Host] -- RDGREEN(07h) --> Driver[Driver] Driver --> Dummy[/Dummy Read/] Dummy --> Send[/Send G[7:0] data/] </pre>																							

12.2.7 RDBLUE (08h/0800h): Read the first pixel of Blue Color

08H		RDBLUE																						
Inst / Para	R/W	Address		D15-8	D7	D6	D5	D4	D3	D2	D1	D0												
		MIPI	SPI-16																					
RDBLUE	R	X	0800h	X	B_1st[7:0]																			
Description	<p>This command returns the blue component value of the first pixel in the active frame. Only the relevant bits are used according to pixel format, unused bits are set to "0". -16-bit format: B4 is MSB and B0 is LSB. B7, B6 and B5 are set to "0". -18-bit format: B5 is MSB and B0 is LSB. B7 and B6 are set to "0". -24-bit format: B7 is MSB and B0 is LSB.</p>																							
Restriction	-																							
Register availability	<table border="1"> <thead> <tr> <th>Status</th> <th>Availability</th> </tr> </thead> <tbody> <tr> <td>Normal Mode On, Idle Mode Off, Sleep Out</td> <td>Yes</td> </tr> <tr> <td>Normal Mode On, Idle Mode On, Sleep Out</td> <td>Yes</td> </tr> <tr> <td>Partial Mode On, Idle Mode Off, Sleep Out</td> <td>Yes</td> </tr> <tr> <td>Partial Mode On, Idle Mode On, Sleep Out</td> <td>Yes</td> </tr> <tr> <td>Sleep In</td> <td>Yes</td> </tr> </tbody> </table>												Status	Availability	Normal Mode On, Idle Mode Off, Sleep Out	Yes	Normal Mode On, Idle Mode On, Sleep Out	Yes	Partial Mode On, Idle Mode Off, Sleep Out	Yes	Partial Mode On, Idle Mode On, Sleep Out	Yes	Sleep In	Yes
Status	Availability																							
Normal Mode On, Idle Mode Off, Sleep Out	Yes																							
Normal Mode On, Idle Mode On, Sleep Out	Yes																							
Partial Mode On, Idle Mode Off, Sleep Out	Yes																							
Partial Mode On, Idle Mode On, Sleep Out	Yes																							
Sleep In	Yes																							
Default	<table border="1"> <thead> <tr> <th>Status</th> <th>Default Value (D7 to D0)</th> </tr> </thead> <tbody> <tr> <td>Power On Sequence</td> <td>00h</td> </tr> <tr> <td>S/W Reset</td> <td>00h</td> </tr> <tr> <td>H/W Reset</td> <td>00h</td> </tr> </tbody> </table>												Status	Default Value (D7 to D0)	Power On Sequence	00h	S/W Reset	00h	H/W Reset	00h				
Status	Default Value (D7 to D0)																							
Power On Sequence	00h																							
S/W Reset	00h																							
H/W Reset	00h																							
Flow Chart																								

12.2.8 RDDPM (0Ah/0A00h): Read Display Power Mode

0AH		RDDPM										
Inst / Para	R/W	Address		D15-8	D7	D6	D5	D4	D3	D2	D1	D0
		MIPI	SPI-16									
RDDPM	R	0Ah	0A00h	X	BSTON	0	0	SLPOUT	1	DISON	--	--
Description	This command indicates the current status of the display as described in the table below:											
	Bit	Description				Value						
	D7	Booster Voltage Status				"1"=Booster On, "0"=Booster Off						
	D6	Not Defined				Set to "0" (not used)						
	D5	Not Defined				Set to "0" (not used)						
	D4	Sleep In/Out				"1" = Sleep Out Mode, "0" = Sleep In Mode						
	D3	Not Defined				Set to "1" (not used)						
	D2	Display On/Off				"1" = Display is On, "0" = Display is Off						
	D1	Not Defined				Set to "0" (not used)						
D0	Not Defined				Set to "0" (not used)							
Restriction	-											
Register availability	Status				Availability							
	Normal Mode On, Idle Mode Off, Sleep Out				Yes							
	Normal Mode On, Idle Mode On, Sleep Out				Yes							
	Partial Mode On, Idle Mode Off, Sleep Out				Yes							
	Partial Mode On, Idle Mode On, Sleep Out				Yes							
	Sleep In				Yes							
Default	Status				Default Value (D7 to D0)							
	Power On Sequence				08h							
	S/W Reset				08h							
	H/W Reset				08h							
Flow Chart	<pre> graph TD Host[Host] -- Command RDDPM(0Ah) --> Driver[Driver] Driver -- Parameter Send 1st Parameter --> End[] style End fill:none,stroke:none </pre>											
	<p>Legend</p> <ul style="list-style-type: none"> Command Parameter Display Action Mode Sequential transfer 											

12.2.9 RDDMADCTL (0Bh/0B00h): Read Display MADCTL

0BH		RDDMADCTL																						
Inst / Para	R/W	Address		D15-8	D7	D6	D5	D4	D3	D2	D1	D0												
		MIPI	SPI-16																					
RDDMADCTL	R	0Bh	0B00h	X	--	--	--	ML	BGR	--	--	--												
Description	This command indicates the current status of the display as described in the table below:																							
	Bit		Description				Value																	
	D7~D5		Not Defined				Set to "0" (not used)																	
	D4		Vertical refresh Order (ML)				"0" = Increment , "1" = Decrement																	
	D3		RGB-BGR Order				"0" = RGB color sequence "1" = BGR color sequence																	
	D2		--				"0"																	
	D1		Not Defined				Set to "0" (not used)																	
	D0		Not Defined				Set to "0" (not used)																	
Restriction	-																							
Register availability	<table border="1"> <thead> <tr> <th>Status</th> <th>Availability</th> </tr> </thead> <tbody> <tr> <td>Normal Mode On, Idle Mode Off, Sleep Out</td> <td>Yes</td> </tr> <tr> <td>Normal Mode On, Idle Mode On, Sleep Out</td> <td>Yes</td> </tr> <tr> <td>Partial Mode On, Idle Mode Off, Sleep Out</td> <td>Yes</td> </tr> <tr> <td>Partial Mode On, Idle Mode On, Sleep Out</td> <td>Yes</td> </tr> <tr> <td>Sleep In</td> <td>Yes</td> </tr> </tbody> </table>												Status	Availability	Normal Mode On, Idle Mode Off, Sleep Out	Yes	Normal Mode On, Idle Mode On, Sleep Out	Yes	Partial Mode On, Idle Mode Off, Sleep Out	Yes	Partial Mode On, Idle Mode On, Sleep Out	Yes	Sleep In	Yes
	Status	Availability																						
	Normal Mode On, Idle Mode Off, Sleep Out	Yes																						
	Normal Mode On, Idle Mode On, Sleep Out	Yes																						
	Partial Mode On, Idle Mode Off, Sleep Out	Yes																						
Partial Mode On, Idle Mode On, Sleep Out	Yes																							
Sleep In	Yes																							
Default	<table border="1"> <thead> <tr> <th>Status</th> <th>Default Value (D7 to D0)</th> </tr> </thead> <tbody> <tr> <td>Power On Sequence</td> <td>00h</td> </tr> <tr> <td>S/W Reset</td> <td>00h</td> </tr> <tr> <td>H/W Reset</td> <td>00h</td> </tr> </tbody> </table>												Status	Default Value (D7 to D0)	Power On Sequence	00h	S/W Reset	00h	H/W Reset	00h				
	Status	Default Value (D7 to D0)																						
	Power On Sequence	00h																						
	S/W Reset	00h																						
H/W Reset	00h																							
Flow Chart	<pre> graph TD Host[Host] -- RDDMADCTL(0Bh) --> Driver[Driver] Driver --> Send[Send 1st Parameter] </pre>																							
	<div style="border: 1px dashed black; padding: 5px;"> <p>Legend</p> <ul style="list-style-type: none"> Command Parameter Display Action Mode Sequential transfer </div>																							

12.2.10 RDDCOLMOD (0Ch/0C00h): Read Display Pixel Format

0CH		RDDCOLMOD																															
Inst / Para	R/W	Address		D15-8	D7	D6	D5	D4	D3	D2	D1	D0																					
		MIPI	SPI-16																														
RDDCOLMOD	R	0Ch	0C00h	X	--	VIPF[2:0]		--	--	--	--	--																					
Description	This command indicates the current status of the display as described in the table below:																																
	<table border="1"> <thead> <tr> <th>Bit</th> <th>Description</th> <th>Value</th> </tr> </thead> <tbody> <tr> <td>D7</td> <td>Not Defined</td> <td>Set to "0" (not used)</td> </tr> <tr> <td>D6~D4</td> <td>RGB Interface Color Format</td> <td>"101" = 16-bit / pixel "110" = 18-bit / pixel "111" = 24-bit / pixel</td> </tr> <tr> <td>D3</td> <td>Not Defined</td> <td>Set to "0" (not used)</td> </tr> <tr> <td>D2</td> <td>Not Defined</td> <td>Set to "0" (not used)</td> </tr> <tr> <td>D1</td> <td>Not Defined</td> <td>Set to "0" (not used)</td> </tr> <tr> <td>D0</td> <td>Not Defined</td> <td>Set to "0" (not used)</td> </tr> </tbody> </table>												Bit	Description	Value	D7	Not Defined	Set to "0" (not used)	D6~D4	RGB Interface Color Format	"101" = 16-bit / pixel "110" = 18-bit / pixel "111" = 24-bit / pixel	D3	Not Defined	Set to "0" (not used)	D2	Not Defined	Set to "0" (not used)	D1	Not Defined	Set to "0" (not used)	D0	Not Defined	Set to "0" (not used)
	Bit	Description	Value																														
	D7	Not Defined	Set to "0" (not used)																														
	D6~D4	RGB Interface Color Format	"101" = 16-bit / pixel "110" = 18-bit / pixel "111" = 24-bit / pixel																														
	D3	Not Defined	Set to "0" (not used)																														
	D2	Not Defined	Set to "0" (not used)																														
	D1	Not Defined	Set to "0" (not used)																														
D0	Not Defined	Set to "0" (not used)																															
Restriction	-																																
Register availability	<table border="1"> <thead> <tr> <th>Status</th> <th>Availability</th> </tr> </thead> <tbody> <tr> <td>Normal Mode On, Idle Mode Off, Sleep Out</td> <td>Yes</td> </tr> <tr> <td>Normal Mode On, Idle Mode On, Sleep Out</td> <td>Yes</td> </tr> <tr> <td>Partial Mode On, Idle Mode Off, Sleep Out</td> <td>Yes</td> </tr> <tr> <td>Partial Mode On, Idle Mode On, Sleep Out</td> <td>Yes</td> </tr> <tr> <td>Sleep In</td> <td>Yes</td> </tr> </tbody> </table>												Status	Availability	Normal Mode On, Idle Mode Off, Sleep Out	Yes	Normal Mode On, Idle Mode On, Sleep Out	Yes	Partial Mode On, Idle Mode Off, Sleep Out	Yes	Partial Mode On, Idle Mode On, Sleep Out	Yes	Sleep In	Yes									
	Status	Availability																															
	Normal Mode On, Idle Mode Off, Sleep Out	Yes																															
	Normal Mode On, Idle Mode On, Sleep Out	Yes																															
	Partial Mode On, Idle Mode Off, Sleep Out	Yes																															
	Partial Mode On, Idle Mode On, Sleep Out	Yes																															
Sleep In	Yes																																
Default	<table border="1"> <thead> <tr> <th>Status</th> <th>Default Value (D7 to D0)</th> </tr> </thead> <tbody> <tr> <td>Power On Sequence</td> <td>70h</td> </tr> <tr> <td>S/W Reset</td> <td>70h</td> </tr> <tr> <td>H/W Reset</td> <td>70h</td> </tr> </tbody> </table>												Status	Default Value (D7 to D0)	Power On Sequence	70h	S/W Reset	70h	H/W Reset	70h													
	Status	Default Value (D7 to D0)																															
	Power On Sequence	70h																															
	S/W Reset	70h																															
H/W Reset	70h																																
Flow Chart	<p>The flow chart shows a trapezoidal box labeled 'RDDCOLMOD(0Ch)' with a dashed arrow pointing to a parallelogram labeled 'Send 1st Parameter'. A dashed line labeled 'Host' and 'Driver' is positioned between the command and the parameter. To the right is a legend box containing symbols for Command (trapezoid), Parameter (parallelogram), Display (rounded rectangle), Action (pointed rectangle), Mode (oval), and Sequential transfer (wavy rectangle).</p>																																

12.2.11 RDDIM (0Dh/0D00h): Read Display Image Mode

0DH		RDDIM										
Inst / Para	R/W	Address		D15-8	D7	D6	D5	D4	D3	D2	D1	D0
		MIPI	SPI-16									
RDDIM	R	0Dh	0D00h	X	--	--	INVON	ALPXLON	ALPXLOFF	GCS[2:0]		
Description	This command indicates the current status of the display as described in the table below:											
	Bit		Description				Value					
	D7~D6		Not Defined				Set to "00" (not used)					
	D5		Inversion On/Off				"1"=Inversion On, "0"=Inversion Off					
	D4		All Pixel On				"1"=White display,"0"=Normal display					
	D3		All Pixel Off				"1"=Black display,"0"=Normal display					
D2~D0		Gamma Curve Selection				"000"=GC0, "001"=GC1 "010"=GC2, "011"=GC3 "110" to "111"=not defined						
Restriction	-											
Register availability	Status		Availability									
	Normal Mode On, Idle Mode Off, Sleep Out		Yes									
	Normal Mode On, Idle Mode On, Sleep Out		Yes									
	Partial Mode On, Idle Mode Off, Sleep Out		Yes									
	Partial Mode On, Idle Mode On, Sleep Out		Yes									
Sleep In		Yes										
Default	Status		Default Value (D7 to D0)									
	Power On Sequence		00h									
	S/W Reset		00h									
	H/W Reset		00h									
Flow Chart												

12.2.12 RDDSM (0Eh/0E00h): Read Display Signal Mode

0EH		RDDSM																						
Inst / Para	R/W	Address		D15-8	D7	D6	D5	D4	D3	D2	D1	D0												
		MIPI	SPI-16																					
RDDSM	R	0Eh	0E00h	X	TEON	TECMD	--	--	--	--	--	--												
Description	<table border="1"> <thead> <tr> <th>Bit</th> <th>Description</th> <th>Value</th> </tr> </thead> <tbody> <tr> <td>D7</td> <td>Tearing Effect Line On/Off</td> <td>"1"=On,"0"=Off</td> </tr> <tr> <td>D6</td> <td>Tearing Effect Line Mode</td> <td>"1"=Mode2,"0"=Mode1</td> </tr> <tr> <td>D4~D0</td> <td>Not Defined</td> <td>Set to "00000" (not used)</td> </tr> </tbody> </table>												Bit	Description	Value	D7	Tearing Effect Line On/Off	"1"=On,"0"=Off	D6	Tearing Effect Line Mode	"1"=Mode2,"0"=Mode1	D4~D0	Not Defined	Set to "00000" (not used)
	Bit	Description	Value																					
	D7	Tearing Effect Line On/Off	"1"=On,"0"=Off																					
	D6	Tearing Effect Line Mode	"1"=Mode2,"0"=Mode1																					
D4~D0	Not Defined	Set to "00000" (not used)																						
Restriction	-																							
Register availability	<table border="1"> <thead> <tr> <th>Status</th> <th>Availability</th> </tr> </thead> <tbody> <tr> <td>Normal Mode On, Idle Mode Off, Sleep Out</td> <td>Yes</td> </tr> <tr> <td>Normal Mode On, Idle Mode On, Sleep Out</td> <td>Yes</td> </tr> <tr> <td>Partial Mode On, Idle Mode Off, Sleep Out</td> <td>Yes</td> </tr> <tr> <td>Partial Mode On, Idle Mode On, Sleep Out</td> <td>Yes</td> </tr> <tr> <td>Sleep In</td> <td>Yes</td> </tr> </tbody> </table>												Status	Availability	Normal Mode On, Idle Mode Off, Sleep Out	Yes	Normal Mode On, Idle Mode On, Sleep Out	Yes	Partial Mode On, Idle Mode Off, Sleep Out	Yes	Partial Mode On, Idle Mode On, Sleep Out	Yes	Sleep In	Yes
	Status	Availability																						
	Normal Mode On, Idle Mode Off, Sleep Out	Yes																						
	Normal Mode On, Idle Mode On, Sleep Out	Yes																						
	Partial Mode On, Idle Mode Off, Sleep Out	Yes																						
Partial Mode On, Idle Mode On, Sleep Out	Yes																							
Sleep In	Yes																							
Default	<table border="1"> <thead> <tr> <th>Status</th> <th>Default Value (D7 to D0)</th> </tr> </thead> <tbody> <tr> <td>Power On Sequence</td> <td>00h</td> </tr> <tr> <td>S/W Reset</td> <td>00h</td> </tr> <tr> <td>H/W Reset</td> <td>00h</td> </tr> </tbody> </table>												Status	Default Value (D7 to D0)	Power On Sequence	00h	S/W Reset	00h	H/W Reset	00h				
	Status	Default Value (D7 to D0)																						
	Power On Sequence	00h																						
	S/W Reset	00h																						
H/W Reset	00h																							
Flow Chart	<p>The flow chart illustrates the communication between a Host and a Driver. A Host sends the RDDSM(0Eh) command (represented by a trapezoid) to the Driver. The Driver then sends the 'Send 1st Parameter' (represented by a parallelogram) back to the Host. A legend on the right defines the symbols used: Command (trapezoid), Parameter (parallelogram), Display (rounded rectangle), Action (pointed rectangle), Mode (oval), and Sequential transfer (wavy rectangle).</p>																							

12.2.13 RDDSDR (0Fh/0F00h): Read Display Self-Diagnostic Result

0FH		RDDSDR																						
Inst / Para	R/W	Address		D15-8	D7	D6	D5	D4	D3	D2	D1	D0												
		MIPI	SPI-16																					
RDDSDR	R	0Fh	0F00h	X	RLD	FUND	0	0	--	--	--	--												
Description	<table border="1"> <thead> <tr> <th>Bit</th> <th>Description</th> <th>Value</th> </tr> </thead> <tbody> <tr> <td>D7</td> <td>Register Loading Detection</td> <td>See section 10.3.1</td> </tr> <tr> <td>D5</td> <td>Functionality Detection</td> <td>See section 10.3.2</td> </tr> <tr> <td>D5~D0</td> <td>Not Defined</td> <td>Set to "000000" (not used)</td> </tr> </tbody> </table>												Bit	Description	Value	D7	Register Loading Detection	See section 10.3.1	D5	Functionality Detection	See section 10.3.2	D5~D0	Not Defined	Set to "000000" (not used)
	Bit	Description	Value																					
	D7	Register Loading Detection	See section 10.3.1																					
	D5	Functionality Detection	See section 10.3.2																					
D5~D0	Not Defined	Set to "000000" (not used)																						
Restriction	-																							
Register availability	<table border="1"> <thead> <tr> <th>Status</th> <th>Availability</th> </tr> </thead> <tbody> <tr> <td>Normal Mode On, Idle Mode Off, Sleep Out</td> <td>Yes</td> </tr> <tr> <td>Normal Mode On, Idle Mode On, Sleep Out</td> <td>Yes</td> </tr> <tr> <td>Partial Mode On, Idle Mode Off, Sleep Out</td> <td>Yes</td> </tr> <tr> <td>Partial Mode On, Idle Mode On, Sleep Out</td> <td>Yes</td> </tr> <tr> <td>Sleep In</td> <td>Yes</td> </tr> </tbody> </table>												Status	Availability	Normal Mode On, Idle Mode Off, Sleep Out	Yes	Normal Mode On, Idle Mode On, Sleep Out	Yes	Partial Mode On, Idle Mode Off, Sleep Out	Yes	Partial Mode On, Idle Mode On, Sleep Out	Yes	Sleep In	Yes
	Status	Availability																						
	Normal Mode On, Idle Mode Off, Sleep Out	Yes																						
	Normal Mode On, Idle Mode On, Sleep Out	Yes																						
	Partial Mode On, Idle Mode Off, Sleep Out	Yes																						
Partial Mode On, Idle Mode On, Sleep Out	Yes																							
Sleep In	Yes																							
Default	<table border="1"> <thead> <tr> <th>Status</th> <th>Default Value (D7 to D0)</th> </tr> </thead> <tbody> <tr> <td>Power On Sequence</td> <td>00h</td> </tr> <tr> <td>S/W Reset</td> <td>00h</td> </tr> <tr> <td>H/W Reset</td> <td>00h</td> </tr> </tbody> </table>												Status	Default Value (D7 to D0)	Power On Sequence	00h	S/W Reset	00h	H/W Reset	00h				
	Status	Default Value (D7 to D0)																						
	Power On Sequence	00h																						
	S/W Reset	00h																						
H/W Reset	00h																							
Flow Chart	<p>The flow chart illustrates the communication between a Host and a Driver. A Host sends the RDDSDR(0Fh) command (represented by a trapezoid) to the Driver. The Driver then sends the 'Send 1st Parameter' (represented by a parallelogram). A legend on the right defines the symbols used: Command (trapezoid), Parameter (parallelogram), Display (rounded rectangle), Action (pointed rectangle), Mode (oval), and Sequential transfer (wavy rectangle).</p>																							

12.2.14 SLPIN (10h/1000h): Sleep in

10H		SLPIN																						
Inst / Para	R/W	Address		D15-8	D7	D6	D5	D4	D3	D2	D1	D0												
		MIPI	SPI-16																					
SLPIN	W	10h	1000h	X	No Argument																			
Description	<p>This command causes the TFT LCD module to enter the minimum power consumption mode. In this mode the DC/DC converter is stopped, Internal display oscillator is stopped, and panel scanning is stopped.</p> <p>Control Interface as well as display data and registers are still working.</p> <p>User can send PCLK, HS and VS information on RGB I/F for blank display after Sleep In command and this information is valid during 2 frames after Sleep In command if there is used Normal Mode On in Sleep Out-mode.</p> <p>Dimming function does not work when there is changing mode from Sleep Out to Sleep In.</p> <p>There is used an internal oscillator for blank display</p>																							
Restriction	-																							
Register availability	<table border="1"> <thead> <tr> <th>Status</th> <th>Availability</th> </tr> </thead> <tbody> <tr> <td>Normal Mode On, Idle Mode Off, Sleep Out</td> <td>Yes</td> </tr> <tr> <td>Normal Mode On, Idle Mode On, Sleep Out</td> <td>Yes</td> </tr> <tr> <td>Partial Mode On, Idle Mode Off, Sleep Out</td> <td>Yes</td> </tr> <tr> <td>Partial Mode On, Idle Mode On, Sleep Out</td> <td>Yes</td> </tr> <tr> <td>Sleep In</td> <td>Yes</td> </tr> </tbody> </table>												Status	Availability	Normal Mode On, Idle Mode Off, Sleep Out	Yes	Normal Mode On, Idle Mode On, Sleep Out	Yes	Partial Mode On, Idle Mode Off, Sleep Out	Yes	Partial Mode On, Idle Mode On, Sleep Out	Yes	Sleep In	Yes
Status	Availability																							
Normal Mode On, Idle Mode Off, Sleep Out	Yes																							
Normal Mode On, Idle Mode On, Sleep Out	Yes																							
Partial Mode On, Idle Mode Off, Sleep Out	Yes																							
Partial Mode On, Idle Mode On, Sleep Out	Yes																							
Sleep In	Yes																							
Default	<table border="1"> <thead> <tr> <th>Status</th> <th>Default Value (D7 to D0)</th> </tr> </thead> <tbody> <tr> <td>Power On Sequence</td> <td>Sleep In Mode</td> </tr> <tr> <td>S/W Reset</td> <td>Sleep In Mode</td> </tr> <tr> <td>H/W Reset</td> <td>Sleep In Mode</td> </tr> </tbody> </table>												Status	Default Value (D7 to D0)	Power On Sequence	Sleep In Mode	S/W Reset	Sleep In Mode	H/W Reset	Sleep In Mode				
Status	Default Value (D7 to D0)																							
Power On Sequence	Sleep In Mode																							
S/W Reset	Sleep In Mode																							
H/W Reset	Sleep In Mode																							
Flow Chart	<p>It takes about 120 msec to get into Sleep In mode (booster off state) after SLPIN command issued. The results of booster off can be check by RDDST (0Ah) command D7.</p> <pre> graph TD A[SLPIN(10h)] --> B([Display whole blank screen(Automatic No Effect to DISP On/Off Command)]) B --> C[/Drain Charge Form Panel/] C --> D[/Stop DC/DC Converter/] D --> E[/Stop Internal Oscillator/] E --> F([Sleep In Mode]) </pre> <p>Legend</p> <ul style="list-style-type: none"> Command Parameter Display Action Mode Sequential transfer 																							

12.2.15 SLPOUT (11h/1100h): Sleep Out

11H		SLPOUT																						
Inst / Para	R/W	Address		D15-8	D7	D6	D5	D4	D3	D2	D1	D0												
		MIPI	SPI-16																					
SLPOUT	W	11h	1100h	X	No Argument																			
Description	<p>This command turns off sleep mode.</p> <p>In this mode the DC/DC converter is enabled, Internal display oscillator is started, and panel scanning is started. User can start to send PCLK, HS and VS information on RGB I/F before Sleep Out command and this information is valid at least 2 frames before Sleep Out command, if there is left Sleep In-mode to Sleep Out-mode in Normal Mode On. There is used an internal oscillator for blank display.</p> <p>ST7701SN will do sequence control about gate control signals when sleep out.</p>																							
Restriction	-																							
Register availability	<table border="1"> <thead> <tr> <th>Status</th> <th>Availability</th> </tr> </thead> <tbody> <tr> <td>Normal Mode On, Idle Mode Off, Sleep Out</td> <td>Yes</td> </tr> <tr> <td>Normal Mode On, Idle Mode On, Sleep Out</td> <td>Yes</td> </tr> <tr> <td>Partial Mode On, Idle Mode Off, Sleep Out</td> <td>Yes</td> </tr> <tr> <td>Partial Mode On, Idle Mode On, Sleep Out</td> <td>Yes</td> </tr> <tr> <td>Sleep In</td> <td>Yes</td> </tr> </tbody> </table>												Status	Availability	Normal Mode On, Idle Mode Off, Sleep Out	Yes	Normal Mode On, Idle Mode On, Sleep Out	Yes	Partial Mode On, Idle Mode Off, Sleep Out	Yes	Partial Mode On, Idle Mode On, Sleep Out	Yes	Sleep In	Yes
Status	Availability																							
Normal Mode On, Idle Mode Off, Sleep Out	Yes																							
Normal Mode On, Idle Mode On, Sleep Out	Yes																							
Partial Mode On, Idle Mode Off, Sleep Out	Yes																							
Partial Mode On, Idle Mode On, Sleep Out	Yes																							
Sleep In	Yes																							
Default	<table border="1"> <thead> <tr> <th>Status</th> <th>Default Value (D7 to D0)</th> </tr> </thead> <tbody> <tr> <td>Power On Sequence</td> <td>Sleep In Mode</td> </tr> <tr> <td>S/W Reset</td> <td>Sleep In Mode</td> </tr> <tr> <td>H/W Reset</td> <td>Sleep In Mode</td> </tr> </tbody> </table>												Status	Default Value (D7 to D0)	Power On Sequence	Sleep In Mode	S/W Reset	Sleep In Mode	H/W Reset	Sleep In Mode				
Status	Default Value (D7 to D0)																							
Power On Sequence	Sleep In Mode																							
S/W Reset	Sleep In Mode																							
H/W Reset	Sleep In Mode																							
Flow Chart	<p>It takes about 120 m sec to get into Sleep out mode after SLPOUT command issued.</p> <pre> graph TD A[SLPOUT(11h)] --> B{{Start Internal Oscillator}} B --> C{{Start DC/DC Converter}} C --> D{{All control signals for glass are normal}} D --> E(Display whole blank screen(Automatic No Effect to DISP On/Off Command)) E --> F(Sleep out Mode) </pre> <p>Legend</p> <ul style="list-style-type: none"> Command Parameter Display Action Mode Sequential transfer 																							

12.2.16 PTLON (12h/1200h): Partial Display Mode On

12H		PTLON																						
Inst / Para	R/W	Address		D15-8	D7	D6	D5	D4	D3	D2	D1	D0												
		MIPI	SPI-16																					
PTLON	W	12h	1200h	X	No Argument																			
Description	<p>This command turns on Partial mode. The partial mode window is described by the Partial Area command .</p> <p>To leave Partial mode, the Normal Display Mode On command (13H) should be written.</p> <p>There is no abnormal visual effect during mode change between Normal mode On to Partial mode On.</p>																							
Restriction	This command has no effect when Partial Display mode is active.																							
Register availability	<table border="1"> <thead> <tr> <th>Status</th> <th>Availability</th> </tr> </thead> <tbody> <tr> <td>Normal Mode On, Idle Mode Off, Sleep Out</td> <td>Yes</td> </tr> <tr> <td>Normal Mode On, Idle Mode On, Sleep Out</td> <td>Yes</td> </tr> <tr> <td>Partial Mode On, Idle Mode Off, Sleep Out</td> <td>Yes</td> </tr> <tr> <td>Partial Mode On, Idle Mode On, Sleep Out</td> <td>Yes</td> </tr> <tr> <td>Sleep In</td> <td>Yes</td> </tr> </tbody> </table>												Status	Availability	Normal Mode On, Idle Mode Off, Sleep Out	Yes	Normal Mode On, Idle Mode On, Sleep Out	Yes	Partial Mode On, Idle Mode Off, Sleep Out	Yes	Partial Mode On, Idle Mode On, Sleep Out	Yes	Sleep In	Yes
Status	Availability																							
Normal Mode On, Idle Mode Off, Sleep Out	Yes																							
Normal Mode On, Idle Mode On, Sleep Out	Yes																							
Partial Mode On, Idle Mode Off, Sleep Out	Yes																							
Partial Mode On, Idle Mode On, Sleep Out	Yes																							
Sleep In	Yes																							
Default	<table border="1"> <thead> <tr> <th>Status</th> <th>Default Value (D7 to D0)</th> </tr> </thead> <tbody> <tr> <td>Power On Sequence</td> <td>Normal Mode On</td> </tr> <tr> <td>S/W Reset</td> <td>Normal Mode On</td> </tr> <tr> <td>H/W Reset</td> <td>Normal Mode On</td> </tr> </tbody> </table>												Status	Default Value (D7 to D0)	Power On Sequence	Normal Mode On	S/W Reset	Normal Mode On	H/W Reset	Normal Mode On				
Status	Default Value (D7 to D0)																							
Power On Sequence	Normal Mode On																							
S/W Reset	Normal Mode On																							
H/W Reset	Normal Mode On																							
Flow Chart	See Partial Area (30h)																							

12.2.17 NORON (13h/1300h): Normal Display Mode On

13H		NORON																						
Inst / Para	R/W	Address		D15-8	D7	D6	D5	D4	D3	D2	D1	D0												
		MIPI	SPI-16																					
NORON	W	13h	1300h	X	No Argument																			
Description	<p>This command returns the display to normal mode.</p> <p>Normal display mode on means Partial mode off.</p> <p>Exit from NORON by the Partial mode On command (12h)</p> <p>There is no abnormal visual effect during mode change from Partial mode On to Normal mode On.</p>																							
Restriction	This command has no effect when Normal Display mode is active.																							
Register availability	<table border="1"> <thead> <tr> <th>Status</th> <th>Availability</th> </tr> </thead> <tbody> <tr> <td>Normal Mode On, Idle Mode Off, Sleep Out</td> <td>Yes</td> </tr> <tr> <td>Normal Mode On, Idle Mode On, Sleep Out</td> <td>Yes</td> </tr> <tr> <td>Partial Mode On, Idle Mode Off, Sleep Out</td> <td>Yes</td> </tr> <tr> <td>Partial Mode On, Idle Mode On, Sleep Out</td> <td>Yes</td> </tr> <tr> <td>Sleep In</td> <td>Yes</td> </tr> </tbody> </table>												Status	Availability	Normal Mode On, Idle Mode Off, Sleep Out	Yes	Normal Mode On, Idle Mode On, Sleep Out	Yes	Partial Mode On, Idle Mode Off, Sleep Out	Yes	Partial Mode On, Idle Mode On, Sleep Out	Yes	Sleep In	Yes
Status	Availability																							
Normal Mode On, Idle Mode Off, Sleep Out	Yes																							
Normal Mode On, Idle Mode On, Sleep Out	Yes																							
Partial Mode On, Idle Mode Off, Sleep Out	Yes																							
Partial Mode On, Idle Mode On, Sleep Out	Yes																							
Sleep In	Yes																							
Default	<table border="1"> <thead> <tr> <th>Status</th> <th>Default Value (D7 to D0)</th> </tr> </thead> <tbody> <tr> <td>Power On Sequence</td> <td>Normal Mode On</td> </tr> <tr> <td>S/W Reset</td> <td>Normal Mode On</td> </tr> <tr> <td>H/W Reset</td> <td>Normal Mode On</td> </tr> </tbody> </table>												Status	Default Value (D7 to D0)	Power On Sequence	Normal Mode On	S/W Reset	Normal Mode On	H/W Reset	Normal Mode On				
Status	Default Value (D7 to D0)																							
Power On Sequence	Normal Mode On																							
S/W Reset	Normal Mode On																							
H/W Reset	Normal Mode On																							
Flow Chart	See Partial Area Definition Descriptions for details of when to use this command																							

12.2.18 INVOFF (20h/2000h): Display Inversion Off

20H		INVOFF																						
Inst / Para	R/W	Address		D15-8	D7	D6	D5	D4	D3	D2	D1	D0												
		MIPI	SPI-16																					
INVOFF	W	20h	2000h	X	No Argument																			
Description	<p>This command is used to recover from display inversion mode.</p> <p>This command does not change any other status.</p> <div style="text-align: center;"> </div>																							
Restriction	This command has no effect when module is already in Inversion Off mode.																							
Register availability	<table border="1" style="width: 100%; border-collapse: collapse;"> <thead> <tr> <th>Status</th> <th>Availability</th> </tr> </thead> <tbody> <tr> <td>Normal Mode On, Idle Mode Off, Sleep Out</td> <td>Yes</td> </tr> <tr> <td>Normal Mode On, Idle Mode On, Sleep Out</td> <td>Yes</td> </tr> <tr> <td>Partial Mode On, Idle Mode Off, Sleep Out</td> <td>Yes</td> </tr> <tr> <td>Partial Mode On, Idle Mode On, Sleep Out</td> <td>Yes</td> </tr> <tr> <td>Sleep In</td> <td>Yes</td> </tr> </tbody> </table>												Status	Availability	Normal Mode On, Idle Mode Off, Sleep Out	Yes	Normal Mode On, Idle Mode On, Sleep Out	Yes	Partial Mode On, Idle Mode Off, Sleep Out	Yes	Partial Mode On, Idle Mode On, Sleep Out	Yes	Sleep In	Yes
Status	Availability																							
Normal Mode On, Idle Mode Off, Sleep Out	Yes																							
Normal Mode On, Idle Mode On, Sleep Out	Yes																							
Partial Mode On, Idle Mode Off, Sleep Out	Yes																							
Partial Mode On, Idle Mode On, Sleep Out	Yes																							
Sleep In	Yes																							
Default	<table border="1" style="width: 100%; border-collapse: collapse;"> <thead> <tr> <th>Status</th> <th>Default Value (D7 to D0)</th> </tr> </thead> <tbody> <tr> <td>Power On Sequence</td> <td>Display Inversion off</td> </tr> <tr> <td>S/W Reset</td> <td>Display Inversion off</td> </tr> <tr> <td>H/W Reset</td> <td>Display Inversion off</td> </tr> </tbody> </table>												Status	Default Value (D7 to D0)	Power On Sequence	Display Inversion off	S/W Reset	Display Inversion off	H/W Reset	Display Inversion off				
Status	Default Value (D7 to D0)																							
Power On Sequence	Display Inversion off																							
S/W Reset	Display Inversion off																							
H/W Reset	Display Inversion off																							
Flow Chart	<div style="display: flex; align-items: center;"> <div style="flex: 1;"> <pre> graph TD A([Display Inversion On]) --> B[/INVOFF(20h)/] B --> C([Display Inversion Off]) </pre> </div> <div style="flex: 1; border: 1px dashed black; padding: 5px;"> <p>Legend</p> <ul style="list-style-type: none"> Command Parameter Display Action Mode Sequential transfer </div> </div>																							

12.2.19 INVON (21h/2100h): Display Inversion On

21H		INVON																						
Inst / Para	R/W	Address		D15-8	D7	D6	D5	D4	D3	D2	D1	D0												
		MIPI	SPI-16																					
INVON	W	21h	2100h	X	No Argument																			
Description	<p>This command is used to enter display inversion mode.</p> <p>This command does not change any other status.</p> <p>To exit from Display Inversion On, the Display Inversion Off command (20h) should be written.</p> <div style="text-align: center;"> </div>																							
Restriction	This command has no effect when module is already in Inversion On mode.																							
Register availability	<table border="1" style="width: 100%; border-collapse: collapse;"> <thead> <tr> <th>Status</th> <th>Availability</th> </tr> </thead> <tbody> <tr> <td>Normal Mode On, Idle Mode Off, Sleep Out</td> <td>Yes</td> </tr> <tr> <td>Normal Mode On, Idle Mode On, Sleep Out</td> <td>Yes</td> </tr> <tr> <td>Partial Mode On, Idle Mode Off, Sleep Out</td> <td>Yes</td> </tr> <tr> <td>Partial Mode On, Idle Mode On, Sleep Out</td> <td>Yes</td> </tr> <tr> <td>Sleep In</td> <td>Yes</td> </tr> </tbody> </table>												Status	Availability	Normal Mode On, Idle Mode Off, Sleep Out	Yes	Normal Mode On, Idle Mode On, Sleep Out	Yes	Partial Mode On, Idle Mode Off, Sleep Out	Yes	Partial Mode On, Idle Mode On, Sleep Out	Yes	Sleep In	Yes
Status	Availability																							
Normal Mode On, Idle Mode Off, Sleep Out	Yes																							
Normal Mode On, Idle Mode On, Sleep Out	Yes																							
Partial Mode On, Idle Mode Off, Sleep Out	Yes																							
Partial Mode On, Idle Mode On, Sleep Out	Yes																							
Sleep In	Yes																							
Default	<table border="1" style="width: 100%; border-collapse: collapse;"> <thead> <tr> <th>Status</th> <th>Default Value (D7 to D0)</th> </tr> </thead> <tbody> <tr> <td>Power On Sequence</td> <td>Display Inversion off</td> </tr> <tr> <td>S/W Reset</td> <td>Display Inversion off</td> </tr> <tr> <td>H/W Reset</td> <td>Display Inversion off</td> </tr> </tbody> </table>												Status	Default Value (D7 to D0)	Power On Sequence	Display Inversion off	S/W Reset	Display Inversion off	H/W Reset	Display Inversion off				
Status	Default Value (D7 to D0)																							
Power On Sequence	Display Inversion off																							
S/W Reset	Display Inversion off																							
H/W Reset	Display Inversion off																							
Flow Chart	<div style="display: flex; align-items: center;"> <div style="flex: 1;"> <pre> graph TD A([Display Inversion Off]) --> B[/INVON(21h)/] B --> C([Display Inversion On]) </pre> </div> <div style="flex: 1; border: 1px dashed black; padding: 5px;"> <p>Legend</p> <ul style="list-style-type: none"> Command: Parameter: Display: Action: Mode: Sequential transfer: </div> </div>																							

12.2.20 ALLPOFF (22h/2200h): All Pixel Off

22H	ALLPOFF																							
Inst / Para	R/W	Address		D15-8	D7	D6	D5	D4	D3	D2	D1	D0												
		MIPI	SPI-16																					
ALLPOFF	W	22h	2200h	X	No Argument																			
Description	<p>This command turns the display panel black in Sleep Out mode and a status of the Display On/Off register can be on or off. This command does not change any other status.</p> <div style="text-align: center;"> <p>Display</p> </div>																							
Restriction	This command has no effect when module is already in All Pixel Off mode.																							
Register availability	<table border="1" style="width: 100%; border-collapse: collapse;"> <thead> <tr> <th>Status</th> <th>Availability</th> </tr> </thead> <tbody> <tr> <td>Normal Mode On, Idle Mode Off, Sleep Out</td> <td>Yes</td> </tr> <tr> <td>Normal Mode On, Idle Mode On, Sleep Out</td> <td>Yes</td> </tr> <tr> <td>Partial Mode On, Idle Mode Off, Sleep Out</td> <td>Yes</td> </tr> <tr> <td>Partial Mode On, Idle Mode On, Sleep Out</td> <td>Yes</td> </tr> <tr> <td>Sleep In</td> <td>Yes</td> </tr> </tbody> </table>												Status	Availability	Normal Mode On, Idle Mode Off, Sleep Out	Yes	Normal Mode On, Idle Mode On, Sleep Out	Yes	Partial Mode On, Idle Mode Off, Sleep Out	Yes	Partial Mode On, Idle Mode On, Sleep Out	Yes	Sleep In	Yes
Status	Availability																							
Normal Mode On, Idle Mode Off, Sleep Out	Yes																							
Normal Mode On, Idle Mode On, Sleep Out	Yes																							
Partial Mode On, Idle Mode Off, Sleep Out	Yes																							
Partial Mode On, Idle Mode On, Sleep Out	Yes																							
Sleep In	Yes																							
Default	<table border="1" style="width: 100%; border-collapse: collapse;"> <thead> <tr> <th>Status</th> <th>Default Value (D7 to D0)</th> </tr> </thead> <tbody> <tr> <td>Power On Sequence</td> <td>All pixel off</td> </tr> <tr> <td>S/W Reset</td> <td>All pixel off</td> </tr> <tr> <td>H/W Reset</td> <td>All pixel off</td> </tr> </tbody> </table>												Status	Default Value (D7 to D0)	Power On Sequence	All pixel off	S/W Reset	All pixel off	H/W Reset	All pixel off				
Status	Default Value (D7 to D0)																							
Power On Sequence	All pixel off																							
S/W Reset	All pixel off																							
H/W Reset	All pixel off																							
Flow Chart	<div style="display: flex; align-items: center;"> <div style="flex: 1;"> <pre> graph TD A([Normal Display Mode On]) --> B[/ALLPOFF(22h)/] B --> C([Black Display]) </pre> </div> <div style="flex: 1; border: 1px dashed black; padding: 5px;"> <p>Legend</p> <ul style="list-style-type: none"> Command Parameter Display Action Mode Sequential transfer </div> </div>																							

12.2.21 ALLPON (23h/2300h): All Pixel ON

23H		ALLPON																						
Inst / Para	R/W	Address		D15-8	D7	D6	D5	D4	D3	D2	D1	D0												
		MIPI	SPI-16																					
ALLPOFF	W	23h	2300h	X	No Argument																			
Description	<p>This command turns the display panel white in Sleep Out mode and a status of the Display On/Off register can be on or off. This command does not change any other status.</p> <div style="text-align: center;"> </div> <p>“All Pixels Off” or “Normal Display Mode On” commands are used to leave this mode. The display panel is showing the display data after “Normal Display On” command.</p>																							
Restriction	This command has no effect when module is already in all Pixel On mode.																							
Register availability	<table border="1" style="width: 100%; border-collapse: collapse;"> <thead> <tr> <th>Status</th> <th>Availability</th> </tr> </thead> <tbody> <tr> <td>Normal Mode On, Idle Mode Off, Sleep Out</td> <td>Yes</td> </tr> <tr> <td>Normal Mode On, Idle Mode On, Sleep Out</td> <td>Yes</td> </tr> <tr> <td>Partial Mode On, Idle Mode Off, Sleep Out</td> <td>Yes</td> </tr> <tr> <td>Partial Mode On, Idle Mode On, Sleep Out</td> <td>Yes</td> </tr> <tr> <td>Sleep In</td> <td>Yes</td> </tr> </tbody> </table>												Status	Availability	Normal Mode On, Idle Mode Off, Sleep Out	Yes	Normal Mode On, Idle Mode On, Sleep Out	Yes	Partial Mode On, Idle Mode Off, Sleep Out	Yes	Partial Mode On, Idle Mode On, Sleep Out	Yes	Sleep In	Yes
Status	Availability																							
Normal Mode On, Idle Mode Off, Sleep Out	Yes																							
Normal Mode On, Idle Mode On, Sleep Out	Yes																							
Partial Mode On, Idle Mode Off, Sleep Out	Yes																							
Partial Mode On, Idle Mode On, Sleep Out	Yes																							
Sleep In	Yes																							
Default	<table border="1" style="width: 100%; border-collapse: collapse;"> <thead> <tr> <th>Status</th> <th>Default Value (D7 to D0)</th> </tr> </thead> <tbody> <tr> <td>Power On Sequence</td> <td>All Pixel off</td> </tr> <tr> <td>S/W Reset</td> <td>All Pixel off</td> </tr> <tr> <td>H/W Reset</td> <td>All Pixel off</td> </tr> </tbody> </table>												Status	Default Value (D7 to D0)	Power On Sequence	All Pixel off	S/W Reset	All Pixel off	H/W Reset	All Pixel off				
Status	Default Value (D7 to D0)																							
Power On Sequence	All Pixel off																							
S/W Reset	All Pixel off																							
H/W Reset	All Pixel off																							
Flow Chart	<div style="display: flex; align-items: center;"> <div style="flex: 1;"> <pre> graph TD A([Normal Display Mode On]) --> B[/ALLPON(23h)/] B --> C([White Display]) </pre> </div> <div style="flex: 1; border: 1px dashed black; padding: 5px;"> <p>Legend</p> <ul style="list-style-type: none"> Command Parameter Display Action Mode Sequential transfer </div> </div>																							

12.2.22 GAMSET (26h/2600h): Gamma Set

26H		GAMSET																						
Inst / Para	R/W	Address		D15-8	D7	D6	D5	D4	D3	D2	D1	D0												
		MIPI	SPI-16																					
GAMSET	W	23h	2300h	X	--	--	--	--	GC[3:0]															
Description	This command is used to select the desired Gamma curve for the current display. A maximum of 4 curves can be selected. The curve is selected by setting the appropriate bit in the parameter as described in the Table.																							
				GC[3:0]	Parameter	Curve Selected																		
				01h	GC0	Gamma Curve 1 (G=2.2)																		
				02h	GC1	Reserved																		
				04h	GC2	Reserved																		
			08h	GC3	Reserved																			
<i>Note :All other values are undefined.</i>																								
Restriction	Values of GC [7:0] not shown in table above are invalid and will not change the current selected gamma curve until valid is received.																							
Register availability	<table border="1"> <thead> <tr> <th>Status</th> <th>Availability</th> </tr> </thead> <tbody> <tr> <td>Normal Mode On, Idle Mode Off, Sleep Out</td> <td>Yes</td> </tr> <tr> <td>Normal Mode On, Idle Mode On, Sleep Out</td> <td>Yes</td> </tr> <tr> <td>Partial Mode On, Idle Mode Off, Sleep Out</td> <td>Yes</td> </tr> <tr> <td>Partial Mode On, Idle Mode On, Sleep Out</td> <td>Yes</td> </tr> <tr> <td>Sleep In</td> <td>Yes</td> </tr> </tbody> </table>												Status	Availability	Normal Mode On, Idle Mode Off, Sleep Out	Yes	Normal Mode On, Idle Mode On, Sleep Out	Yes	Partial Mode On, Idle Mode Off, Sleep Out	Yes	Partial Mode On, Idle Mode On, Sleep Out	Yes	Sleep In	Yes
Status	Availability																							
Normal Mode On, Idle Mode Off, Sleep Out	Yes																							
Normal Mode On, Idle Mode On, Sleep Out	Yes																							
Partial Mode On, Idle Mode Off, Sleep Out	Yes																							
Partial Mode On, Idle Mode On, Sleep Out	Yes																							
Sleep In	Yes																							
Default	<table border="1"> <thead> <tr> <th>Status</th> <th>Default Value (D7 to D0)</th> </tr> </thead> <tbody> <tr> <td>Power On Sequence</td> <td>Reserved</td> </tr> <tr> <td>S/W Reset</td> <td>Reserved</td> </tr> <tr> <td>H/W Reset</td> <td>Reserved</td> </tr> </tbody> </table>												Status	Default Value (D7 to D0)	Power On Sequence	Reserved	S/W Reset	Reserved	H/W Reset	Reserved				
Status	Default Value (D7 to D0)																							
Power On Sequence	Reserved																							
S/W Reset	Reserved																							
H/W Reset	Reserved																							
Flow Chart	<div style="display: flex; align-items: center;"> <div style="flex: 1;"> <pre> graph TD A[GAMSET(26h)] --> B[/GC[3:0]/] B --> C{{New Gamma Curve Loaded}} </pre> </div> <div style="flex: 1; border: 1px dashed black; padding: 5px;"> <p>Legend</p> <ul style="list-style-type: none"> ▭ Command ▭ Parameter ◯ Display ◊ Action ◯ Mode ▭ Sequential transfer </div> </div>																							

12.2.23 DISPOFF (28h/2800h): Display Off

28H		DISPOFF																						
Inst / Para	R/W	Address		D15-8	D7	D6	D5	D4	D3	D2	D1	D0												
		MIPI	SPI-16																					
DISPOFF	W	28h	2800h	X	No Argument																			
Description	<p>This command is used to enter into DISPLAY OFF mode. In this mode, the display data is disabled and blank page inserted.</p> <p>This command does not change any other status. There will be no abnormal visible effect on the display.</p> <div style="text-align: center;"> </div>																							
Restriction	This command has no effect when module is already in Display Off mode.																							
Register availability	<table border="1" style="width: 100%; border-collapse: collapse;"> <thead> <tr> <th>Status</th> <th>Availability</th> </tr> </thead> <tbody> <tr> <td>Normal Mode On, Idle Mode Off, Sleep Out</td> <td>Yes</td> </tr> <tr> <td>Normal Mode On, Idle Mode On, Sleep Out</td> <td>Yes</td> </tr> <tr> <td>Partial Mode On, Idle Mode Off, Sleep Out</td> <td>Yes</td> </tr> <tr> <td>Partial Mode On, Idle Mode On, Sleep Out</td> <td>Yes</td> </tr> <tr> <td>Sleep In</td> <td>Yes</td> </tr> </tbody> </table>												Status	Availability	Normal Mode On, Idle Mode Off, Sleep Out	Yes	Normal Mode On, Idle Mode On, Sleep Out	Yes	Partial Mode On, Idle Mode Off, Sleep Out	Yes	Partial Mode On, Idle Mode On, Sleep Out	Yes	Sleep In	Yes
Status	Availability																							
Normal Mode On, Idle Mode Off, Sleep Out	Yes																							
Normal Mode On, Idle Mode On, Sleep Out	Yes																							
Partial Mode On, Idle Mode Off, Sleep Out	Yes																							
Partial Mode On, Idle Mode On, Sleep Out	Yes																							
Sleep In	Yes																							
Default	<table border="1" style="width: 100%; border-collapse: collapse;"> <thead> <tr> <th>Status</th> <th>Default Value (D7 to D0)</th> </tr> </thead> <tbody> <tr> <td>Power On Sequence</td> <td>Display off</td> </tr> <tr> <td>S/W Reset</td> <td>Display off</td> </tr> <tr> <td>H/W Reset</td> <td>Display off</td> </tr> </tbody> </table>												Status	Default Value (D7 to D0)	Power On Sequence	Display off	S/W Reset	Display off	H/W Reset	Display off				
Status	Default Value (D7 to D0)																							
Power On Sequence	Display off																							
S/W Reset	Display off																							
H/W Reset	Display off																							
Flow Chart	<div style="display: flex; align-items: center;"> <div style="flex: 1;"> <pre> graph TD A([Display On Mode]) --> B[/DISPOFF(28h)/] B --> C([Display Off Mode]) </pre> </div> <div style="flex: 1; border: 1px dashed black; padding: 5px;"> <p>Legend</p> <ul style="list-style-type: none"> Command Parameter Display Action Mode Sequential transfer </div> </div>																							

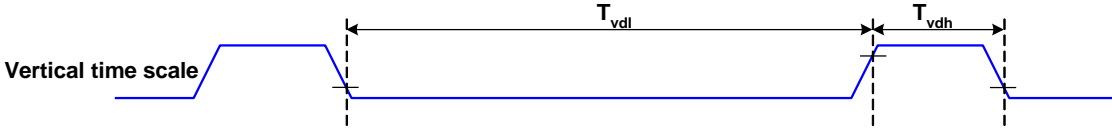
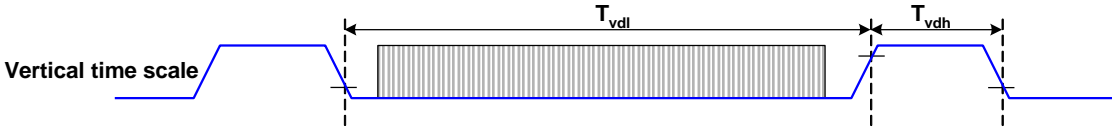
12.2.24 DISPON (29h/2900h): Display On

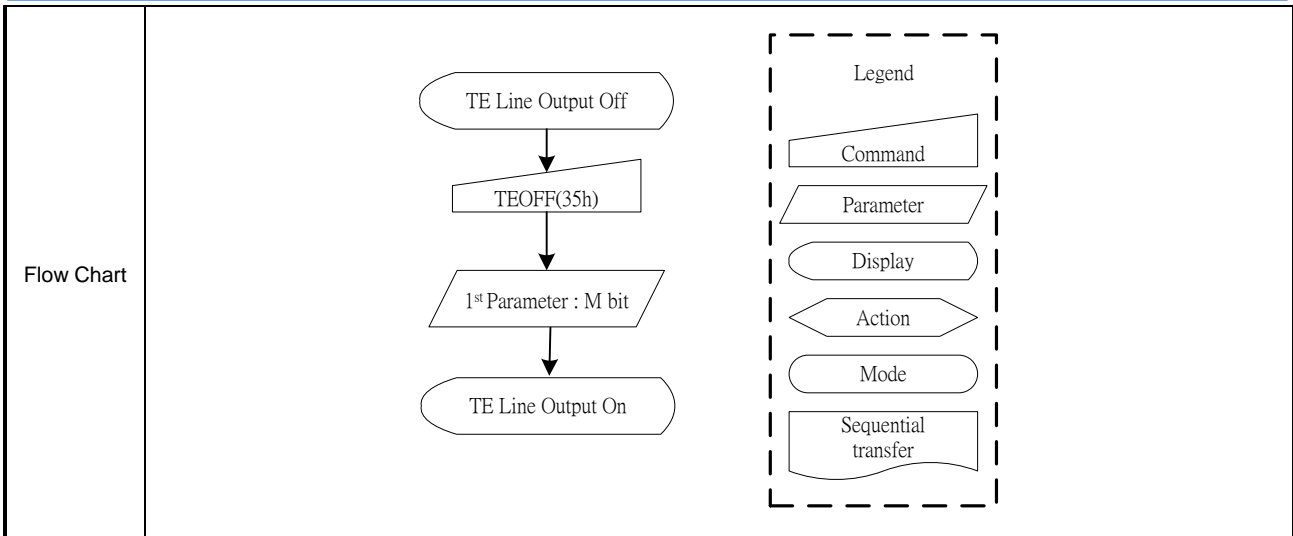
29H		DISPON																						
Inst / Para	R/W	Address		D15-8	D7	D6	D5	D4	D3	D2	D1	D0												
		MIPI	SPI-16																					
DISPON	W	29h	2900h	X	No Argument																			
Description	<p>This command is used to enter into DISPLAY OFF mode. In this mode, the display data is disabled and blank page inserted.</p> <p>This command does not change any other status. There will be no abnormal visible effect on the display.</p> <div style="text-align: center;"> </div>																							
Restriction	This command has no effect when module is already in Display Off mode.																							
Register availability	<table border="1" style="width: 100%; border-collapse: collapse;"> <thead> <tr> <th style="width: 50%;">Status</th> <th style="width: 50%;">Availability</th> </tr> </thead> <tbody> <tr> <td>Normal Mode On, Idle Mode Off, Sleep Out</td> <td style="text-align: center;">Yes</td> </tr> <tr> <td>Normal Mode On, Idle Mode On, Sleep Out</td> <td style="text-align: center;">Yes</td> </tr> <tr> <td>Partial Mode On, Idle Mode Off, Sleep Out</td> <td style="text-align: center;">Yes</td> </tr> <tr> <td>Partial Mode On, Idle Mode On, Sleep Out</td> <td style="text-align: center;">Yes</td> </tr> <tr> <td>Sleep In</td> <td style="text-align: center;">Yes</td> </tr> </tbody> </table>												Status	Availability	Normal Mode On, Idle Mode Off, Sleep Out	Yes	Normal Mode On, Idle Mode On, Sleep Out	Yes	Partial Mode On, Idle Mode Off, Sleep Out	Yes	Partial Mode On, Idle Mode On, Sleep Out	Yes	Sleep In	Yes
Status	Availability																							
Normal Mode On, Idle Mode Off, Sleep Out	Yes																							
Normal Mode On, Idle Mode On, Sleep Out	Yes																							
Partial Mode On, Idle Mode Off, Sleep Out	Yes																							
Partial Mode On, Idle Mode On, Sleep Out	Yes																							
Sleep In	Yes																							
Default	<table border="1" style="width: 100%; border-collapse: collapse;"> <thead> <tr> <th style="width: 50%;">Status</th> <th style="width: 50%;">Default Value (D7 to D0)</th> </tr> </thead> <tbody> <tr> <td>Power On Sequence</td> <td style="text-align: center;">Display off</td> </tr> <tr> <td>S/W Reset</td> <td style="text-align: center;">Display off</td> </tr> <tr> <td>H/W Reset</td> <td style="text-align: center;">Display off</td> </tr> </tbody> </table>												Status	Default Value (D7 to D0)	Power On Sequence	Display off	S/W Reset	Display off	H/W Reset	Display off				
Status	Default Value (D7 to D0)																							
Power On Sequence	Display off																							
S/W Reset	Display off																							
H/W Reset	Display off																							
Flow Chart	<div style="display: flex; align-items: center;"> <div style="flex: 1;"> <pre> graph TD A([Display Off Mode]) --> B[/DISPON(29h)/] B --> C([Display On Mode]) </pre> </div> <div style="flex: 1; border: 1px dashed black; padding: 5px;"> <p style="text-align: center;">Legend</p> <ul style="list-style-type: none"> Command Parameter Display Action Mode Sequential transfer </div> </div>																							

12.2.25 TEOFF (34h/3400h):Tearing Effect Line OFF

34H		TEOFF																						
Inst / Para	R/W	Address		D15-8	D7	D6	D5	D4	D3	D2	D1	D0												
		MIPI	SPI-16																					
TEOFF	W	34h	3400h	X	No Argument																			
Description	This command is used to turn off the Display module's Tearing Effect output signal (Active Low) on the TE signal line.																							
Restriction	This command has no effect when the Tearing Effect output is already OFF.																							
Register availability	<table border="1"> <thead> <tr> <th>Status</th> <th>Availability</th> </tr> </thead> <tbody> <tr> <td>Normal Mode On, Idle Mode Off, Sleep Out</td> <td>Yes</td> </tr> <tr> <td>Normal Mode On, Idle Mode On, Sleep Out</td> <td>Yes</td> </tr> <tr> <td>Partial Mode On, Idle Mode Off, Sleep Out</td> <td>Yes</td> </tr> <tr> <td>Partial Mode On, Idle Mode On, Sleep Out</td> <td>Yes</td> </tr> <tr> <td>Sleep In</td> <td>Yes</td> </tr> </tbody> </table>												Status	Availability	Normal Mode On, Idle Mode Off, Sleep Out	Yes	Normal Mode On, Idle Mode On, Sleep Out	Yes	Partial Mode On, Idle Mode Off, Sleep Out	Yes	Partial Mode On, Idle Mode On, Sleep Out	Yes	Sleep In	Yes
Status	Availability																							
Normal Mode On, Idle Mode Off, Sleep Out	Yes																							
Normal Mode On, Idle Mode On, Sleep Out	Yes																							
Partial Mode On, Idle Mode Off, Sleep Out	Yes																							
Partial Mode On, Idle Mode On, Sleep Out	Yes																							
Sleep In	Yes																							
Default	<table border="1"> <thead> <tr> <th>Status</th> <th>Default Value (D7 to D0)</th> </tr> </thead> <tbody> <tr> <td>Power On Sequence</td> <td>00h</td> </tr> <tr> <td>S/W Reset</td> <td>00h</td> </tr> <tr> <td>H/W Reset</td> <td>00h</td> </tr> </tbody> </table>												Status	Default Value (D7 to D0)	Power On Sequence	00h	S/W Reset	00h	H/W Reset	00h				
Status	Default Value (D7 to D0)																							
Power On Sequence	00h																							
S/W Reset	00h																							
H/W Reset	00h																							
Flow Chart	<div style="display: flex; align-items: center;"> <div style="flex: 1;"> <pre> graph TD A[TE Line Output On] --> B[/TEOFF(34h)/] B --> C[TE Line Output OFF] </pre> </div> <div style="flex: 1; border: 1px dashed black; padding: 5px;"> <p>Legend</p> <ul style="list-style-type: none"> Command Parameter Display Action Mode Sequential transfer </div> </div>																							

12.2.26 TEON (35h/3500h):Tearing Effect Line ON

35H		TEON																						
Inst / Para	R/W	Address		D15-8	D7	D6	D5	D4	D3	D2	D1	D0												
		MIPI	SPI-16																					
TEOFF	W	35h	3500h	X	--	--	--	--	--	--	--	M												
Description	<p>This command is used to turn ON the Tearing Effect output signal on the TE signal line. Changing the MADCTL bit B4 will not affect this output. The Tearing Effect Line On has one parameter, which describes the mode of the Tearing Effect Output Line.</p> <p>When M = 0: The Tearing Effect Output line consists of V-Blanking information only:</p>  <p>When M = 1: The Tearing Effect Output Line consists of both V-Blanking and H-Blanking information:</p>  <p>Note: During the Sleep In Mode with Tearing Effect Line On, Tearing Effect Output pin will be active Low.</p>																							
	Restriction	This command has no effect when the Tearing Effect output is already OFF.																						
Register availability	<table border="1"> <thead> <tr> <th>Status</th> <th>Availability</th> </tr> </thead> <tbody> <tr> <td>Normal Mode On, Idle Mode Off, Sleep Out</td> <td>Yes</td> </tr> <tr> <td>Normal Mode On, Idle Mode On, Sleep Out</td> <td>Yes</td> </tr> <tr> <td>Partial Mode On, Idle Mode Off, Sleep Out</td> <td>Yes</td> </tr> <tr> <td>Partial Mode On, Idle Mode On, Sleep Out</td> <td>Yes</td> </tr> <tr> <td>Sleep In</td> <td>Yes</td> </tr> </tbody> </table>												Status	Availability	Normal Mode On, Idle Mode Off, Sleep Out	Yes	Normal Mode On, Idle Mode On, Sleep Out	Yes	Partial Mode On, Idle Mode Off, Sleep Out	Yes	Partial Mode On, Idle Mode On, Sleep Out	Yes	Sleep In	Yes
Status	Availability																							
Normal Mode On, Idle Mode Off, Sleep Out	Yes																							
Normal Mode On, Idle Mode On, Sleep Out	Yes																							
Partial Mode On, Idle Mode Off, Sleep Out	Yes																							
Partial Mode On, Idle Mode On, Sleep Out	Yes																							
Sleep In	Yes																							
Default	<table border="1"> <thead> <tr> <th>Status</th> <th>Default Value (D7 to D0)</th> </tr> </thead> <tbody> <tr> <td>Power On Sequence</td> <td>00h</td> </tr> <tr> <td>S/W Reset</td> <td>00h</td> </tr> <tr> <td>H/W Reset</td> <td>00h</td> </tr> </tbody> </table>												Status	Default Value (D7 to D0)	Power On Sequence	00h	S/W Reset	00h	H/W Reset	00h				
Status	Default Value (D7 to D0)																							
Power On Sequence	00h																							
S/W Reset	00h																							
H/W Reset	00h																							



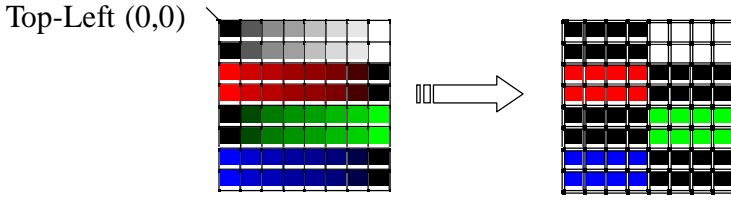
12.2.27 MADCTL(36h/3600h): Display data access control

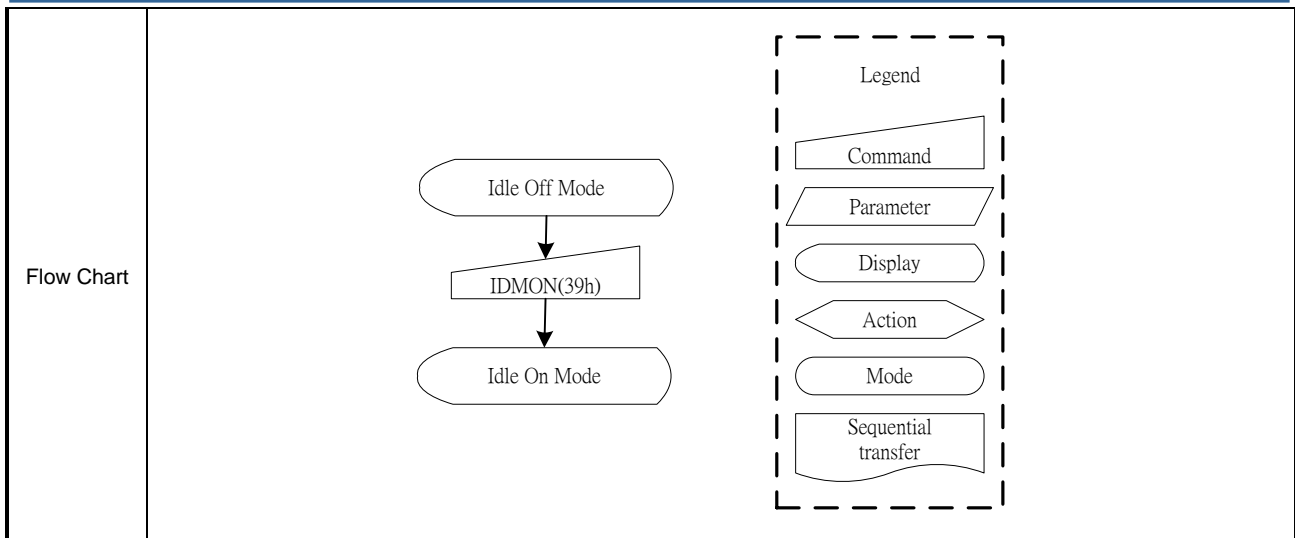
36H		IDMOFF																						
Inst / Para	R/W	Address		D15-8	D7	D6	D5	D4	D3	D2	D1	D0												
		MIPI	SPI-16																					
IDMOFF	W	36h	3600h	X	--	--	--	ML	BGR	--	--	--												
Description	<p>ML: GET Scan direction selection. ML= 0 Get normal scan. ML=1 Get reverse scan.</p> <p>BGR: BGR=0 →RGB BGR=1 →BGR</p>																							
Restriction	This command has no effect when module is already in Idle Off mode.																							
Register availability	<table border="1"> <thead> <tr> <th>Status</th> <th>Availability</th> </tr> </thead> <tbody> <tr> <td>Normal Mode On, Idle Mode Off, Sleep Out</td> <td>Yes</td> </tr> <tr> <td>Normal Mode On, Idle Mode On, Sleep Out</td> <td>Yes</td> </tr> <tr> <td>Partial Mode On, Idle Mode Off, Sleep Out</td> <td>Yes</td> </tr> <tr> <td>Partial Mode On, Idle Mode On, Sleep Out</td> <td>Yes</td> </tr> <tr> <td>Sleep In</td> <td>Yes</td> </tr> </tbody> </table>												Status	Availability	Normal Mode On, Idle Mode Off, Sleep Out	Yes	Normal Mode On, Idle Mode On, Sleep Out	Yes	Partial Mode On, Idle Mode Off, Sleep Out	Yes	Partial Mode On, Idle Mode On, Sleep Out	Yes	Sleep In	Yes
Status	Availability																							
Normal Mode On, Idle Mode Off, Sleep Out	Yes																							
Normal Mode On, Idle Mode On, Sleep Out	Yes																							
Partial Mode On, Idle Mode Off, Sleep Out	Yes																							
Partial Mode On, Idle Mode On, Sleep Out	Yes																							
Sleep In	Yes																							
Default	<table border="1"> <thead> <tr> <th>Status</th> <th>Default Value (D7 to D0)</th> </tr> </thead> <tbody> <tr> <td>Power On Sequence</td> <td>00H</td> </tr> <tr> <td>S/W Reset</td> <td>00H</td> </tr> <tr> <td>H/W Reset</td> <td>00H</td> </tr> </tbody> </table>												Status	Default Value (D7 to D0)	Power On Sequence	00H	S/W Reset	00H	H/W Reset	00H				
Status	Default Value (D7 to D0)																							
Power On Sequence	00H																							
S/W Reset	00H																							
H/W Reset	00H																							
Flow Chart	<div style="display: flex; align-items: center;"> <div style="flex: 1;"> <pre> graph TD A([ML=0 / BGR=0]) --> B[/ML=1 / BGR=1/] B --> C([Reverse scan/BGR]) </pre> </div> <div style="flex: 1; border: 1px dashed black; padding: 5px;"> <p>Legend</p> <ul style="list-style-type: none"> Command Parameter Display Action Mode Sequential transfer </div> </div>																							

12.2.28 IDMOFF (38h/3800h): Idle Mode Off

38H		IDMOFF																						
Inst / Para	R/W	Address		D15-8	D7	D6	D5	D4	D3	D2	D1	D0												
		MIPI	SPI-16																					
IDMOFF	W	38h	3800h	X	No Argument																			
Description	This command is used to recover from Idle mode on In the idle off mode, display panel can display maximum 16.7M colors.																							
Restriction	This command has no effect when module is already in Idle Off mode.																							
Register availability	<table border="1"> <thead> <tr> <th>Status</th> <th>Availability</th> </tr> </thead> <tbody> <tr> <td>Normal Mode On, Idle Mode Off, Sleep Out</td> <td>Yes</td> </tr> <tr> <td>Normal Mode On, Idle Mode On, Sleep Out</td> <td>Yes</td> </tr> <tr> <td>Partial Mode On, Idle Mode Off, Sleep Out</td> <td>Yes</td> </tr> <tr> <td>Partial Mode On, Idle Mode On, Sleep Out</td> <td>Yes</td> </tr> <tr> <td>Sleep In</td> <td>Yes</td> </tr> </tbody> </table>												Status	Availability	Normal Mode On, Idle Mode Off, Sleep Out	Yes	Normal Mode On, Idle Mode On, Sleep Out	Yes	Partial Mode On, Idle Mode Off, Sleep Out	Yes	Partial Mode On, Idle Mode On, Sleep Out	Yes	Sleep In	Yes
Status	Availability																							
Normal Mode On, Idle Mode Off, Sleep Out	Yes																							
Normal Mode On, Idle Mode On, Sleep Out	Yes																							
Partial Mode On, Idle Mode Off, Sleep Out	Yes																							
Partial Mode On, Idle Mode On, Sleep Out	Yes																							
Sleep In	Yes																							
Default	<table border="1"> <thead> <tr> <th>Status</th> <th>Default Value (D7 to D0)</th> </tr> </thead> <tbody> <tr> <td>Power On Sequence</td> <td>Idle Mode off</td> </tr> <tr> <td>S/W Reset</td> <td>Idle Mode off</td> </tr> <tr> <td>H/W Reset</td> <td>Idle Mode off</td> </tr> </tbody> </table>												Status	Default Value (D7 to D0)	Power On Sequence	Idle Mode off	S/W Reset	Idle Mode off	H/W Reset	Idle Mode off				
Status	Default Value (D7 to D0)																							
Power On Sequence	Idle Mode off																							
S/W Reset	Idle Mode off																							
H/W Reset	Idle Mode off																							
Flow Chart	<div style="display: flex; align-items: center;"> <div style="flex: 1;"> <pre> graph TD A[Idle On Mode] --> B[/IDMOFF(38h)/] B --> C[Idle Off Mode] </pre> </div> <div style="flex: 1; border: 1px dashed black; padding: 5px;"> <p>Legend</p> <ul style="list-style-type: none"> Command Parameter Display Action Mode Sequential transfer </div> </div>																							

12.2.29 IDMON (39h/3900h): Idle Mode On

39H		IDMON																																														
Inst / Para	R/W	Address		D15-8	D7	D6	D5	D4	D3	D2	D1	D0																																				
		MIPI	SPI-16																																													
IDMON	W	39h	3900h	X	No Argument																																											
Description	<p>(Example) Frame Data Display</p> <p>Top-Left (0,0) </p> <p>This command is used to enter into Idle mode on.</p> <p>In the idle on mode, color expression is reduced. The primary and the secondary colors using MSB of each R, G, and B in Frame Data, 8 color depth data is displayed.</p> <table border="1" data-bbox="343 851 1388 1153"> <thead> <tr> <th>Color</th> <th>R5 R4 R3 R2 R1 R0</th> <th>G5 G4 G3 G2 G1 G0</th> <th>B5 B4 B3 B4 B1 B0</th> </tr> </thead> <tbody> <tr> <td>Black</td> <td>0xxxxx</td> <td>0xxxxx</td> <td>0xxxxx</td> </tr> <tr> <td>Blue</td> <td>0xxxxx</td> <td>0xxxxx</td> <td>1xxxxx</td> </tr> <tr> <td>Red</td> <td>1xxxxx</td> <td>0xxxxx</td> <td>0xxxxx</td> </tr> <tr> <td>Magenta</td> <td>1xxxxx</td> <td>0xxxxx</td> <td>1xxxxx</td> </tr> <tr> <td>Green</td> <td>0xxxxx</td> <td>1xxxxx</td> <td>0xxxxx</td> </tr> <tr> <td>Cyan</td> <td>0xxxxx</td> <td>1xxxxx</td> <td>1xxxxx</td> </tr> <tr> <td>Yellow</td> <td>1xxxxx</td> <td>1xxxxx</td> <td>0xxxxx</td> </tr> <tr> <td>White</td> <td>1xxxxx</td> <td>1xxxxx</td> <td>1xxxxx</td> </tr> </tbody> </table>												Color	R5 R4 R3 R2 R1 R0	G5 G4 G3 G2 G1 G0	B5 B4 B3 B4 B1 B0	Black	0xxxxx	0xxxxx	0xxxxx	Blue	0xxxxx	0xxxxx	1xxxxx	Red	1xxxxx	0xxxxx	0xxxxx	Magenta	1xxxxx	0xxxxx	1xxxxx	Green	0xxxxx	1xxxxx	0xxxxx	Cyan	0xxxxx	1xxxxx	1xxxxx	Yellow	1xxxxx	1xxxxx	0xxxxx	White	1xxxxx	1xxxxx	1xxxxx
	Color	R5 R4 R3 R2 R1 R0	G5 G4 G3 G2 G1 G0	B5 B4 B3 B4 B1 B0																																												
Black	0xxxxx	0xxxxx	0xxxxx																																													
Blue	0xxxxx	0xxxxx	1xxxxx																																													
Red	1xxxxx	0xxxxx	0xxxxx																																													
Magenta	1xxxxx	0xxxxx	1xxxxx																																													
Green	0xxxxx	1xxxxx	0xxxxx																																													
Cyan	0xxxxx	1xxxxx	1xxxxx																																													
Yellow	1xxxxx	1xxxxx	0xxxxx																																													
White	1xxxxx	1xxxxx	1xxxxx																																													
Restriction	This command has no effect when module is already in Idle On mode.																																															
Register availability	<table border="1" data-bbox="391 1254 1348 1500"> <thead> <tr> <th>Status</th> <th>Availability</th> </tr> </thead> <tbody> <tr> <td>Normal Mode On, Idle Mode Off, Sleep Out</td> <td>Yes</td> </tr> <tr> <td>Normal Mode On, Idle Mode On, Sleep Out</td> <td>Yes</td> </tr> <tr> <td>Partial Mode On, Idle Mode Off, Sleep Out</td> <td>Yes</td> </tr> <tr> <td>Partial Mode On, Idle Mode On, Sleep Out</td> <td>Yes</td> </tr> <tr> <td>Sleep In</td> <td>Yes</td> </tr> </tbody> </table>												Status	Availability	Normal Mode On, Idle Mode Off, Sleep Out	Yes	Normal Mode On, Idle Mode On, Sleep Out	Yes	Partial Mode On, Idle Mode Off, Sleep Out	Yes	Partial Mode On, Idle Mode On, Sleep Out	Yes	Sleep In	Yes																								
Status	Availability																																															
Normal Mode On, Idle Mode Off, Sleep Out	Yes																																															
Normal Mode On, Idle Mode On, Sleep Out	Yes																																															
Partial Mode On, Idle Mode Off, Sleep Out	Yes																																															
Partial Mode On, Idle Mode On, Sleep Out	Yes																																															
Sleep In	Yes																																															
Default	<table border="1" data-bbox="438 1568 1300 1736"> <thead> <tr> <th>Status</th> <th>Default Value (D7 to D0)</th> </tr> </thead> <tbody> <tr> <td>Power On Sequence</td> <td>Idle Mode off</td> </tr> <tr> <td>S/W Reset</td> <td>Idle Mode off</td> </tr> <tr> <td>H/W Reset</td> <td>Idle Mode off</td> </tr> </tbody> </table>												Status	Default Value (D7 to D0)	Power On Sequence	Idle Mode off	S/W Reset	Idle Mode off	H/W Reset	Idle Mode off																												
Status	Default Value (D7 to D0)																																															
Power On Sequence	Idle Mode off																																															
S/W Reset	Idle Mode off																																															
H/W Reset	Idle Mode off																																															



12.2.30 COLMOD (3Ah/3A00h): Interface Pixel Format

3AH		COLMOD																						
Inst / Para	R/W	Address		D15-8	D7	D6	D5	D4	D3	D2	D1	D0												
		MIPI	SPI-16																					
COLMOD	W	3Ah	3A00h	X	--	VIPF[2:0]		--	--	--	--	--												
Description	<p>This command is used to define the format of RGB picture data.</p> <p>The formats are shown in the table:</p> <table border="1"> <thead> <tr> <th>Bit</th> <th>NAME</th> <th>DESCRIPTION</th> </tr> </thead> <tbody> <tr> <td>VIPF[2:0]</td> <td>Pixel Format for RGB Interface</td> <td> "101"=16-bit/pixel "110"=18-bit/pixel "111"=24-bit/pixel The others=not defined </td> </tr> </tbody> </table>												Bit	NAME	DESCRIPTION	VIPF[2:0]	Pixel Format for RGB Interface	"101"=16-bit/pixel "110"=18-bit/pixel "111"=24-bit/pixel The others=not defined						
Bit	NAME	DESCRIPTION																						
VIPF[2:0]	Pixel Format for RGB Interface	"101"=16-bit/pixel "110"=18-bit/pixel "111"=24-bit/pixel The others=not defined																						
Restriction	There is no visible effect until the display data is written to.																							
Register availability	<table border="1"> <thead> <tr> <th>Status</th> <th>Availability</th> </tr> </thead> <tbody> <tr> <td>Normal Mode On, Idle Mode Off, Sleep Out</td> <td>Yes</td> </tr> <tr> <td>Normal Mode On, Idle Mode On, Sleep Out</td> <td>Yes</td> </tr> <tr> <td>Partial Mode On, Idle Mode Off, Sleep Out</td> <td>Yes</td> </tr> <tr> <td>Partial Mode On, Idle Mode On, Sleep Out</td> <td>Yes</td> </tr> <tr> <td>Sleep In</td> <td>Yes</td> </tr> </tbody> </table>												Status	Availability	Normal Mode On, Idle Mode Off, Sleep Out	Yes	Normal Mode On, Idle Mode On, Sleep Out	Yes	Partial Mode On, Idle Mode Off, Sleep Out	Yes	Partial Mode On, Idle Mode On, Sleep Out	Yes	Sleep In	Yes
Status	Availability																							
Normal Mode On, Idle Mode Off, Sleep Out	Yes																							
Normal Mode On, Idle Mode On, Sleep Out	Yes																							
Partial Mode On, Idle Mode Off, Sleep Out	Yes																							
Partial Mode On, Idle Mode On, Sleep Out	Yes																							
Sleep In	Yes																							
Default	<table border="1"> <thead> <tr> <th>Status</th> <th>Default Value (D7 to D0)</th> </tr> </thead> <tbody> <tr> <td>Power On Sequence</td> <td>70h</td> </tr> <tr> <td>S/W Reset</td> <td>70h</td> </tr> <tr> <td>H/W Reset</td> <td>70h</td> </tr> </tbody> </table>												Status	Default Value (D7 to D0)	Power On Sequence	70h	S/W Reset	70h	H/W Reset	70h				
Status	Default Value (D7 to D0)																							
Power On Sequence	70h																							
S/W Reset	70h																							
H/W Reset	70h																							
Flow Chart	<pre> graph TD A([24-bit/pixel Mode]) --> B[/COLMOD(3Ah)/] B --> C[/Parameter VIPF[2:0]=' 110''/] C --> D([18-bit/pixel Mode]) </pre> <p>Legend</p> <ul style="list-style-type: none"> Command Parameter Display Action Mode Sequential transfer 																							

12.2.31 GSL (45h): Get Scan Line

45H		GSL																						
Inst / Para	R/W	Address		D15-8	D7	D6	D5	D4	D3	D2	D1	D0												
		MIPI	SPI-16																					
GSL	R	45h	4500h	X	TELS[15:8]																			
			4501h	X	TELS[7:0]																			
Description	The display reads the current scan line N, used to update the display device. The total number of scan lines on a display device is defined as VSYNC + VBP + VACT + VFP. The first scan line is defined as the first line of V-Sync and is denoted as Line 0.																							
Restriction	--																							
Register availability	<table border="1"> <thead> <tr> <th>Status</th> <th>Availability</th> </tr> </thead> <tbody> <tr> <td>Normal Mode On, Idle Mode Off, Sleep Out</td> <td>Yes</td> </tr> <tr> <td>Normal Mode On, Idle Mode On, Sleep Out</td> <td>Yes</td> </tr> <tr> <td>Partial Mode On, Idle Mode Off, Sleep Out</td> <td>Yes</td> </tr> <tr> <td>Partial Mode On, Idle Mode On, Sleep Out</td> <td>Yes</td> </tr> <tr> <td>Sleep In</td> <td>Yes</td> </tr> </tbody> </table>												Status	Availability	Normal Mode On, Idle Mode Off, Sleep Out	Yes	Normal Mode On, Idle Mode On, Sleep Out	Yes	Partial Mode On, Idle Mode Off, Sleep Out	Yes	Partial Mode On, Idle Mode On, Sleep Out	Yes	Sleep In	Yes
Status	Availability																							
Normal Mode On, Idle Mode Off, Sleep Out	Yes																							
Normal Mode On, Idle Mode On, Sleep Out	Yes																							
Partial Mode On, Idle Mode Off, Sleep Out	Yes																							
Partial Mode On, Idle Mode On, Sleep Out	Yes																							
Sleep In	Yes																							
Default	<table border="1"> <thead> <tr> <th>Status</th> <th>Default Value (D7 to D0)</th> </tr> </thead> <tbody> <tr> <td>Power On Sequence</td> <td>00h</td> </tr> <tr> <td>S/W Reset</td> <td>00h</td> </tr> <tr> <td>H/W Reset</td> <td>00h</td> </tr> </tbody> </table>												Status	Default Value (D7 to D0)	Power On Sequence	00h	S/W Reset	00h	H/W Reset	00h				
Status	Default Value (D7 to D0)																							
Power On Sequence	00h																							
S/W Reset	00h																							
H/W Reset	00h																							
Flow Chart	<pre> graph TD Host[Host Driver] -- Command --> G45h[GSL(45h)] G45h --> DR[/Dummy Read/] DR --> P2[/2nd Parameter N[15:8]/] P2 --> P3[/3rd Parameter N[7:0]/] </pre>																							

12.2.32 WRDISBV (51h): Write Display Brightness

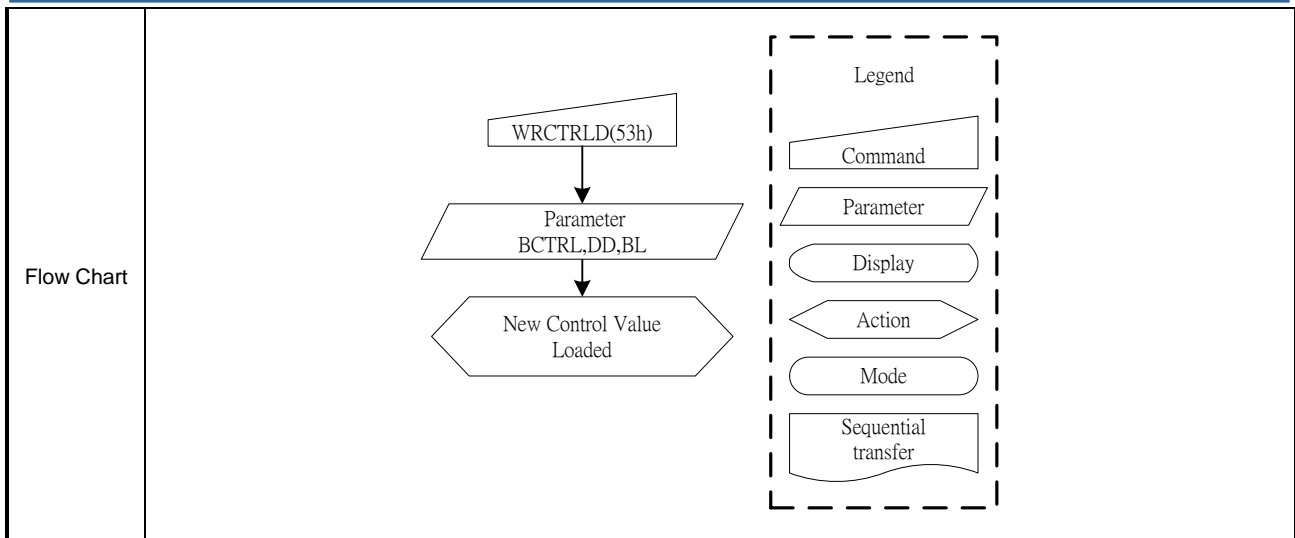
51H		WRDISBV																						
Inst / Para	R/W	Address		D15-8	D7	D6	D5	D4	D3	D2	D1	D0												
		MIPI	SPI-16																					
WRDISBV	W	51h	5100h	X	DBV[7:0]																			
Description	<p>This command is used to adjust the brightness value of the display.</p> <p>It should be checked what the relationship between this written value and output brightness of the display is. This relationship is defined on the display module specification.</p> <p>In principle relationship is that 00h value means the lowest brightness and FFh value means the highest brightness.</p>																							
Restriction	The display supplier cannot use this command for tuning (e.g. factory tuning, etc.).																							
Register availability	<table border="1"> <thead> <tr> <th>Status</th> <th>Availability</th> </tr> </thead> <tbody> <tr> <td>Normal Mode On, Idle Mode Off, Sleep Out</td> <td>Yes</td> </tr> <tr> <td>Normal Mode On, Idle Mode On, Sleep Out</td> <td>Yes</td> </tr> <tr> <td>Partial Mode On, Idle Mode Off, Sleep Out</td> <td>Yes</td> </tr> <tr> <td>Partial Mode On, Idle Mode On, Sleep Out</td> <td>Yes</td> </tr> <tr> <td>Sleep In</td> <td>Yes</td> </tr> </tbody> </table>												Status	Availability	Normal Mode On, Idle Mode Off, Sleep Out	Yes	Normal Mode On, Idle Mode On, Sleep Out	Yes	Partial Mode On, Idle Mode Off, Sleep Out	Yes	Partial Mode On, Idle Mode On, Sleep Out	Yes	Sleep In	Yes
Status	Availability																							
Normal Mode On, Idle Mode Off, Sleep Out	Yes																							
Normal Mode On, Idle Mode On, Sleep Out	Yes																							
Partial Mode On, Idle Mode Off, Sleep Out	Yes																							
Partial Mode On, Idle Mode On, Sleep Out	Yes																							
Sleep In	Yes																							
Default	<table border="1"> <thead> <tr> <th>Status</th> <th>Default Value (D7 to D0)</th> </tr> </thead> <tbody> <tr> <td>Power On Sequence</td> <td>00h</td> </tr> <tr> <td>S/W Reset</td> <td>00h</td> </tr> <tr> <td>H/W Reset</td> <td>00h</td> </tr> </tbody> </table>												Status	Default Value (D7 to D0)	Power On Sequence	00h	S/W Reset	00h	H/W Reset	00h				
Status	Default Value (D7 to D0)																							
Power On Sequence	00h																							
S/W Reset	00h																							
H/W Reset	00h																							
Flow Chart	<pre> graph TD A[/WRDISBV(51h)/] --> B[/Parameter DBV[7:0]/] B --> C{{New Brightness Loaded}} </pre> <p>Legend:</p> <ul style="list-style-type: none"> Command: / / Parameter: / / Display: / / Action: / / Mode: / / Sequential transfer: / / 																							

12.2.33 RDDISBV (52h/5200h): Read Display Brightness Value

52H		RDDISBV																						
Inst / Para	R/W	Address		D15-8	D7	D6	D5	D4	D3	D2	D1	D0												
		MIPI	SPI-16																					
WRDISBV	R	52h	5200h	X	DBV[7:0]																			
Description	<p>This command returns the brightness value of the display.</p> <p>It should be checked what the relationship between this returned value and output brightness of the display. This relationship is defined on the display module specification is.</p> <p>In principle the relationship is that 00h value means the lowest brightness and FFh value means the highest brightness.</p> <p>DBV[7:0] is reset when display is in sleep in mode.</p> <p>DBV[7:0] is '0' when bit BCTRL of write CTRL display command (53h) is '0'</p> <p>DBV[7:0] IS manual set brightness specified with write CTRL display command (53h) when bit BCTRL is '1'</p>																							
Restriction	--																							
Register availability	<table border="1"> <thead> <tr> <th>Status</th> <th>Availability</th> </tr> </thead> <tbody> <tr> <td>Normal Mode On, Idle Mode Off, Sleep Out</td> <td>Yes</td> </tr> <tr> <td>Normal Mode On, Idle Mode On, Sleep Out</td> <td>Yes</td> </tr> <tr> <td>Partial Mode On, Idle Mode Off, Sleep Out</td> <td>Yes</td> </tr> <tr> <td>Partial Mode On, Idle Mode On, Sleep Out</td> <td>Yes</td> </tr> <tr> <td>Sleep In</td> <td>Yes</td> </tr> </tbody> </table>												Status	Availability	Normal Mode On, Idle Mode Off, Sleep Out	Yes	Normal Mode On, Idle Mode On, Sleep Out	Yes	Partial Mode On, Idle Mode Off, Sleep Out	Yes	Partial Mode On, Idle Mode On, Sleep Out	Yes	Sleep In	Yes
Status	Availability																							
Normal Mode On, Idle Mode Off, Sleep Out	Yes																							
Normal Mode On, Idle Mode On, Sleep Out	Yes																							
Partial Mode On, Idle Mode Off, Sleep Out	Yes																							
Partial Mode On, Idle Mode On, Sleep Out	Yes																							
Sleep In	Yes																							
Default	<table border="1"> <thead> <tr> <th>Status</th> <th>Default Value (D7 to D0)</th> </tr> </thead> <tbody> <tr> <td>Power On Sequence</td> <td>00h</td> </tr> <tr> <td>S/W Reset</td> <td>00h</td> </tr> <tr> <td>H/W Reset</td> <td>00h</td> </tr> </tbody> </table>												Status	Default Value (D7 to D0)	Power On Sequence	00h	S/W Reset	00h	H/W Reset	00h				
Status	Default Value (D7 to D0)																							
Power On Sequence	00h																							
S/W Reset	00h																							
H/W Reset	00h																							
Flow Chart																								

12.2.34 WRCTRLD (53h/5300h): Write CTRL Display

53H		WRCTRLD																						
Inst / Para	R/W	Address		D15-8	D7	D6	D5	D4	D3	D2	D1	D0												
		MIPI	SPI-16																					
WRCTRLD	W	53h	5300h	X	--	--	BCTRL	--	DD	BL	--	--												
Description	<p>This command is used to control display brightness.</p> <p>BCTRL: Brightness Control Block On/Off, This bit is always used to switch brightness for display.</p> <p>0 = Off (Brightness register are 00h, DBV[7:0])</p> <p>1 = On (Brightness register are active, according to the other parameters.)</p> <p>DD: Display Dimming (Only for manual brightness setting)</p> <p>DD = 0: Display Dimming is off.</p> <p>DD = 1: Display Dimming is on.</p> <p>BL: Backlight Control On/Off</p> <p>0 = Off (Completely turn off backlight circuit. Control lines must be low.)</p> <p>1 = On</p> <p>Dimming function is adapted to the brightness registers for display when bit BCTRL is changed at DD=1.</p> <p>When BL bit changed from 'on' to 'off', backlight is turned off without gradual dimming, even if dimming-on (DD=1) are selected.</p>																							
Restriction	--																							
Register availability	<table border="1"> <thead> <tr> <th>Status</th> <th>Availability</th> </tr> </thead> <tbody> <tr> <td>Normal Mode On, Idle Mode Off, Sleep Out</td> <td>Yes</td> </tr> <tr> <td>Normal Mode On, Idle Mode On, Sleep Out</td> <td>Yes</td> </tr> <tr> <td>Partial Mode On, Idle Mode Off, Sleep Out</td> <td>Yes</td> </tr> <tr> <td>Partial Mode On, Idle Mode On, Sleep Out</td> <td>Yes</td> </tr> <tr> <td>Sleep In</td> <td>Yes</td> </tr> </tbody> </table>												Status	Availability	Normal Mode On, Idle Mode Off, Sleep Out	Yes	Normal Mode On, Idle Mode On, Sleep Out	Yes	Partial Mode On, Idle Mode Off, Sleep Out	Yes	Partial Mode On, Idle Mode On, Sleep Out	Yes	Sleep In	Yes
Status	Availability																							
Normal Mode On, Idle Mode Off, Sleep Out	Yes																							
Normal Mode On, Idle Mode On, Sleep Out	Yes																							
Partial Mode On, Idle Mode Off, Sleep Out	Yes																							
Partial Mode On, Idle Mode On, Sleep Out	Yes																							
Sleep In	Yes																							
Default	<table border="1"> <thead> <tr> <th>Status</th> <th>Default Value (D7 to D0)</th> </tr> </thead> <tbody> <tr> <td>Power On Sequence</td> <td>00h</td> </tr> <tr> <td>S/W Reset</td> <td>00h</td> </tr> <tr> <td>H/W Reset</td> <td>00h</td> </tr> </tbody> </table>												Status	Default Value (D7 to D0)	Power On Sequence	00h	S/W Reset	00h	H/W Reset	00h				
Status	Default Value (D7 to D0)																							
Power On Sequence	00h																							
S/W Reset	00h																							
H/W Reset	00h																							



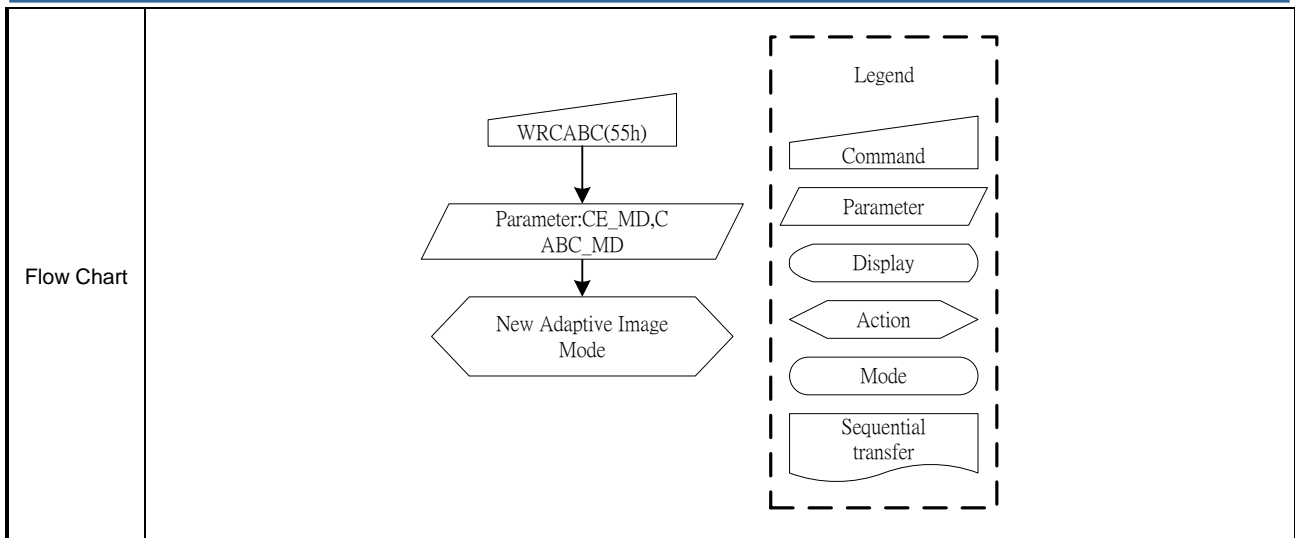
12.2.35 RDCTRLD (54h): Read CTRL Value Display

54H		WRCTRLD																						
Inst / Para	R/W	Address		D15-8	D7	D6	D5	D4	D3	D2	D1	D0												
		MIPI	SPI-16																					
RDCTRLD	R	54h	5400h	X	--	--	BCTRL	--	DD	BL	--	--												
Description	<p>This command returns ambient light and brightness control values..</p> <p>BCTRL: Brightness Control Block On/Off, This bit is always used to switch brightness for display.</p> <p>0 = Off 1 = On</p> <p>DD: Display Dimming (Only for manual brightness setting)</p> <p>DD = 0 DD = 1</p> <p>BL: Backlight Control On/Off</p> <p>0 = Off 1 = On</p>																							
Restriction	--																							
Register availability	<table border="1"> <thead> <tr> <th>Status</th> <th>Availability</th> </tr> </thead> <tbody> <tr> <td>Normal Mode On, Idle Mode Off, Sleep Out</td> <td>Yes</td> </tr> <tr> <td>Normal Mode On, Idle Mode On, Sleep Out</td> <td>Yes</td> </tr> <tr> <td>Partial Mode On, Idle Mode Off, Sleep Out</td> <td>Yes</td> </tr> <tr> <td>Partial Mode On, Idle Mode On, Sleep Out</td> <td>Yes</td> </tr> <tr> <td>Sleep In</td> <td>Yes</td> </tr> </tbody> </table>												Status	Availability	Normal Mode On, Idle Mode Off, Sleep Out	Yes	Normal Mode On, Idle Mode On, Sleep Out	Yes	Partial Mode On, Idle Mode Off, Sleep Out	Yes	Partial Mode On, Idle Mode On, Sleep Out	Yes	Sleep In	Yes
Status	Availability																							
Normal Mode On, Idle Mode Off, Sleep Out	Yes																							
Normal Mode On, Idle Mode On, Sleep Out	Yes																							
Partial Mode On, Idle Mode Off, Sleep Out	Yes																							
Partial Mode On, Idle Mode On, Sleep Out	Yes																							
Sleep In	Yes																							
Default	<table border="1"> <thead> <tr> <th>Status</th> <th>Default Value (D7 to D0)</th> </tr> </thead> <tbody> <tr> <td>Power On Sequence</td> <td>00h</td> </tr> <tr> <td>S/W Reset</td> <td>00h</td> </tr> <tr> <td>H/W Reset</td> <td>00h</td> </tr> </tbody> </table>												Status	Default Value (D7 to D0)	Power On Sequence	00h	S/W Reset	00h	H/W Reset	00h				
Status	Default Value (D7 to D0)																							
Power On Sequence	00h																							
S/W Reset	00h																							
H/W Reset	00h																							
Flow Chart	<pre> graph TD Host[Host] -- RDCTRLD(54h) --> Driver[Driver] Driver -- Send Parameter BCTRL, DD, BL --> Host </pre> <p>Legend</p> <ul style="list-style-type: none"> Command (trapezoid) Parameter (parallelogram) Display (rounded rectangle) Action (diamond) Mode (oval) Sequential transfer (wavy rectangle) 																							

12.2.36 WRCAE (55h/5500h): Write Content Adaptive Brightness Control and Color

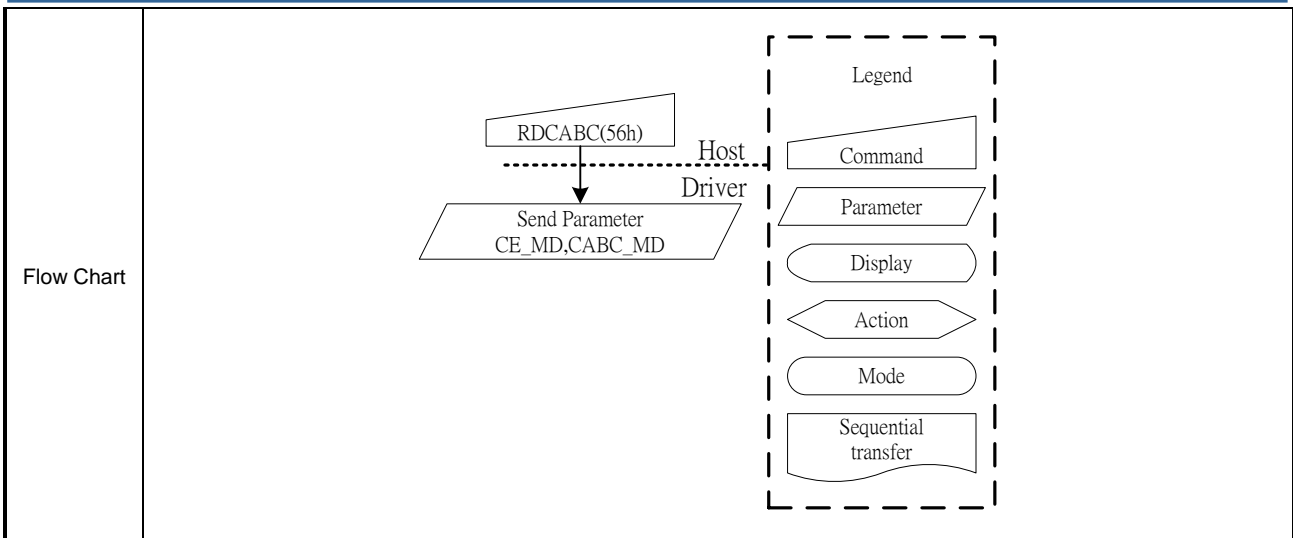
Enhancement

55H		WRCAE																																					
Inst / Para	R/W	Address		D15-8	D7	D6	D5	D4	D3	D2	D1	D0																											
		MIPI	SPI-16																																				
WRCAE	W	55h	5500h	X	CE_ON	--	CEMD[1:0]	--	--	--	CABC_MD[1:0]																												
Description	<p>This command is used to set parameters for image content based adaptive brightness control functionality and Color Enhancement function</p> <p>CE_ON="1",Color enhancement on CE_ON="0",Color enhancement off</p> <p>There are three color enhancement levels can be set.</p> <table border="1"> <thead> <tr> <th>CEMD[1]</th> <th>CEMD[0]</th> <th>Function</th> </tr> </thead> <tbody> <tr> <td>0</td> <td>0</td> <td>Low enhancement</td> </tr> <tr> <td>0</td> <td>1</td> <td>Medium enhancement</td> </tr> <tr> <td>1</td> <td>1</td> <td>High enhancement</td> </tr> </tbody> </table> <p>There is possible to used 4 different modes for content adaptive image functionality, which are defined on a table below.</p> <table border="1"> <thead> <tr> <th>CABC_MD[1]</th> <th>CABC_MD[0]</th> <th>Function</th> </tr> </thead> <tbody> <tr> <td>0</td> <td>0</td> <td>Off</td> </tr> <tr> <td>0</td> <td>1</td> <td>User Interface Mode</td> </tr> <tr> <td>1</td> <td>0</td> <td>Still Picture</td> </tr> <tr> <td>1</td> <td>1</td> <td>Moving Image</td> </tr> </tbody> </table>												CEMD[1]	CEMD[0]	Function	0	0	Low enhancement	0	1	Medium enhancement	1	1	High enhancement	CABC_MD[1]	CABC_MD[0]	Function	0	0	Off	0	1	User Interface Mode	1	0	Still Picture	1	1	Moving Image
CEMD[1]	CEMD[0]	Function																																					
0	0	Low enhancement																																					
0	1	Medium enhancement																																					
1	1	High enhancement																																					
CABC_MD[1]	CABC_MD[0]	Function																																					
0	0	Off																																					
0	1	User Interface Mode																																					
1	0	Still Picture																																					
1	1	Moving Image																																					
Restriction	--																																						
Register availability	<table border="1"> <thead> <tr> <th>Status</th> <th>Availability</th> </tr> </thead> <tbody> <tr> <td>Normal Mode On, Idle Mode Off, Sleep Out</td> <td>Yes</td> </tr> <tr> <td>Normal Mode On, Idle Mode On, Sleep Out</td> <td>Yes</td> </tr> <tr> <td>Partial Mode On, Idle Mode Off, Sleep Out</td> <td>Yes</td> </tr> <tr> <td>Partial Mode On, Idle Mode On, Sleep Out</td> <td>Yes</td> </tr> <tr> <td>Sleep In</td> <td>Yes</td> </tr> </tbody> </table>												Status	Availability	Normal Mode On, Idle Mode Off, Sleep Out	Yes	Normal Mode On, Idle Mode On, Sleep Out	Yes	Partial Mode On, Idle Mode Off, Sleep Out	Yes	Partial Mode On, Idle Mode On, Sleep Out	Yes	Sleep In	Yes															
Status	Availability																																						
Normal Mode On, Idle Mode Off, Sleep Out	Yes																																						
Normal Mode On, Idle Mode On, Sleep Out	Yes																																						
Partial Mode On, Idle Mode Off, Sleep Out	Yes																																						
Partial Mode On, Idle Mode On, Sleep Out	Yes																																						
Sleep In	Yes																																						
Default	<table border="1"> <thead> <tr> <th>Status</th> <th>Default Value (D7 to D0)</th> </tr> </thead> <tbody> <tr> <td>Power On Sequence</td> <td>00h</td> </tr> <tr> <td>S/W Reset</td> <td>00h</td> </tr> <tr> <td>H/W Reset</td> <td>00h</td> </tr> </tbody> </table>												Status	Default Value (D7 to D0)	Power On Sequence	00h	S/W Reset	00h	H/W Reset	00h																			
Status	Default Value (D7 to D0)																																						
Power On Sequence	00h																																						
S/W Reset	00h																																						
H/W Reset	00h																																						



12.2.37 RDCABC (56h/5600h): Read Content Adaptive Brightness Control

56H		RDCABC																																					
Inst / Para	R/W	Address		D15-8	D7	D6	D5	D4	D3	D2	D1	D0																											
		MIPI	SPI-16																																				
RDCABC	R	56h	5600h	X	CE_ON	--	CEMD[1:0]	--	--	--	CABC_MD[1:0]																												
Description	<p>This command is used to read the settings for image content based adaptive brightness control functionality.</p> <p>CE_ON="1",Color enhancement on CE_ON="0",Color enhancement off</p> <p>There are three color enhancement levels can be set.</p> <table border="1"> <thead> <tr> <th>CEMD[1]</th> <th>CEMD[0]</th> <th>Function</th> </tr> </thead> <tbody> <tr> <td>0</td> <td>0</td> <td>Low enhancement</td> </tr> <tr> <td>0</td> <td>1</td> <td>Medium enhancement</td> </tr> <tr> <td>1</td> <td>1</td> <td>High enhancement</td> </tr> </tbody> </table> <p>There is possible to used 4 different modes for content adaptive image functionality, which are defined on a table below.</p> <table border="1"> <thead> <tr> <th>CABC_MD[1]</th> <th>CABC_MD[0]</th> <th>Function</th> </tr> </thead> <tbody> <tr> <td>0</td> <td>0</td> <td>Off</td> </tr> <tr> <td>0</td> <td>1</td> <td>User Interface Mode</td> </tr> <tr> <td>1</td> <td>0</td> <td>Still Picture</td> </tr> <tr> <td>1</td> <td>1</td> <td>Moving Image</td> </tr> </tbody> </table> <p>': Don't care</p>												CEMD[1]	CEMD[0]	Function	0	0	Low enhancement	0	1	Medium enhancement	1	1	High enhancement	CABC_MD[1]	CABC_MD[0]	Function	0	0	Off	0	1	User Interface Mode	1	0	Still Picture	1	1	Moving Image
	CEMD[1]	CEMD[0]	Function																																				
0	0	Low enhancement																																					
0	1	Medium enhancement																																					
1	1	High enhancement																																					
CABC_MD[1]	CABC_MD[0]	Function																																					
0	0	Off																																					
0	1	User Interface Mode																																					
1	0	Still Picture																																					
1	1	Moving Image																																					
Restriction	--																																						
Register availability	<table border="1"> <thead> <tr> <th>Status</th> <th>Availability</th> </tr> </thead> <tbody> <tr> <td>Normal Mode On, Idle Mode Off, Sleep Out</td> <td>Yes</td> </tr> <tr> <td>Normal Mode On, Idle Mode On, Sleep Out</td> <td>Yes</td> </tr> <tr> <td>Partial Mode On, Idle Mode Off, Sleep Out</td> <td>Yes</td> </tr> <tr> <td>Partial Mode On, Idle Mode On, Sleep Out</td> <td>Yes</td> </tr> <tr> <td>Sleep In</td> <td>Yes</td> </tr> </tbody> </table>												Status	Availability	Normal Mode On, Idle Mode Off, Sleep Out	Yes	Normal Mode On, Idle Mode On, Sleep Out	Yes	Partial Mode On, Idle Mode Off, Sleep Out	Yes	Partial Mode On, Idle Mode On, Sleep Out	Yes	Sleep In	Yes															
	Status	Availability																																					
Normal Mode On, Idle Mode Off, Sleep Out	Yes																																						
Normal Mode On, Idle Mode On, Sleep Out	Yes																																						
Partial Mode On, Idle Mode Off, Sleep Out	Yes																																						
Partial Mode On, Idle Mode On, Sleep Out	Yes																																						
Sleep In	Yes																																						
Default	<table border="1"> <thead> <tr> <th>Status</th> <th>Default Value (D7 to D0)</th> </tr> </thead> <tbody> <tr> <td>Power On Sequence</td> <td>00h</td> </tr> <tr> <td>S/W Reset</td> <td>00h</td> </tr> <tr> <td>H/W Reset</td> <td>00h</td> </tr> </tbody> </table>												Status	Default Value (D7 to D0)	Power On Sequence	00h	S/W Reset	00h	H/W Reset	00h																			
Status	Default Value (D7 to D0)																																						
Power On Sequence	00h																																						
S/W Reset	00h																																						
H/W Reset	00h																																						



12.2.38 WRCABCMB (5Eh/5E00h): Write CABC Minimum Brightness

5EH		WRCABCMB																						
Inst / Para	R/W	Address		D15-8	D7	D6	D5	D4	D3	D2	D1	D0												
		MIPI	SPI-16																					
WRCABCMB	W	5Eh	5E00h	X	CMB[7:0]																			
Description	<p>This command is used to set the minimum brightness value of the display for CABC function.</p> <p>In principle relationship is that 00h value means the lowest brightness for CABC and FFh value means the brightness for CABC.</p>																							
Restriction	--																							
Register availability	<table border="1"> <thead> <tr> <th>Status</th> <th>Availability</th> </tr> </thead> <tbody> <tr> <td>Normal Mode On, Idle Mode Off, Sleep Out</td> <td>Yes</td> </tr> <tr> <td>Normal Mode On, Idle Mode On, Sleep Out</td> <td>Yes</td> </tr> <tr> <td>Partial Mode On, Idle Mode Off, Sleep Out</td> <td>Yes</td> </tr> <tr> <td>Partial Mode On, Idle Mode On, Sleep Out</td> <td>Yes</td> </tr> <tr> <td>Sleep In</td> <td>Yes</td> </tr> </tbody> </table>												Status	Availability	Normal Mode On, Idle Mode Off, Sleep Out	Yes	Normal Mode On, Idle Mode On, Sleep Out	Yes	Partial Mode On, Idle Mode Off, Sleep Out	Yes	Partial Mode On, Idle Mode On, Sleep Out	Yes	Sleep In	Yes
Status	Availability																							
Normal Mode On, Idle Mode Off, Sleep Out	Yes																							
Normal Mode On, Idle Mode On, Sleep Out	Yes																							
Partial Mode On, Idle Mode Off, Sleep Out	Yes																							
Partial Mode On, Idle Mode On, Sleep Out	Yes																							
Sleep In	Yes																							
Default	<table border="1"> <thead> <tr> <th>Status</th> <th>Default Value (D7 to D0)</th> </tr> </thead> <tbody> <tr> <td>Power On Sequence</td> <td>00h</td> </tr> <tr> <td>S/W Reset</td> <td>00h</td> </tr> <tr> <td>H/W Reset</td> <td>00h</td> </tr> </tbody> </table>												Status	Default Value (D7 to D0)	Power On Sequence	00h	S/W Reset	00h	H/W Reset	00h				
Status	Default Value (D7 to D0)																							
Power On Sequence	00h																							
S/W Reset	00h																							
H/W Reset	00h																							
Flow Chart	<pre> graph TD A[WRCABCME(5Eh)] --> B[/Parameter:CMB/] B --> C{{New Display Luminance Value Loaded}} </pre> <p>Legend:</p> <ul style="list-style-type: none"> Command: trapezoid Parameter: parallelogram Display: rounded rectangle Action: hexagon Mode: rounded rectangle Sequential transfer: wavy rectangle 																							

12.2.39 RDCABCMB (5Fh/5F00h): Read CABC Minimum Brightness

5FH		WRCABCMB																						
Inst / Para	R/W	Address		D15-8	D7	D6	D5	D4	D3	D2	D1	D0												
		MIPI	SPI-16																					
WRCABCMB	R	5Fh	5F00h	X	CMB[7:0]																			
Description	<p>This command returns the minimum brightness value of CABC function.</p> <p>In principle relationship is that 00h value means the lowest brightness for CABC and FFh value means the brightness for CABC.</p>																							
Restriction	--																							
Register availability	<table border="1"> <thead> <tr> <th>Status</th> <th>Availability</th> </tr> </thead> <tbody> <tr> <td>Normal Mode On, Idle Mode Off, Sleep Out</td> <td>Yes</td> </tr> <tr> <td>Normal Mode On, Idle Mode On, Sleep Out</td> <td>Yes</td> </tr> <tr> <td>Partial Mode On, Idle Mode Off, Sleep Out</td> <td>Yes</td> </tr> <tr> <td>Partial Mode On, Idle Mode On, Sleep Out</td> <td>Yes</td> </tr> <tr> <td>Sleep In</td> <td>Yes</td> </tr> </tbody> </table>												Status	Availability	Normal Mode On, Idle Mode Off, Sleep Out	Yes	Normal Mode On, Idle Mode On, Sleep Out	Yes	Partial Mode On, Idle Mode Off, Sleep Out	Yes	Partial Mode On, Idle Mode On, Sleep Out	Yes	Sleep In	Yes
Status	Availability																							
Normal Mode On, Idle Mode Off, Sleep Out	Yes																							
Normal Mode On, Idle Mode On, Sleep Out	Yes																							
Partial Mode On, Idle Mode Off, Sleep Out	Yes																							
Partial Mode On, Idle Mode On, Sleep Out	Yes																							
Sleep In	Yes																							
Default	<table border="1"> <thead> <tr> <th>Status</th> <th>Default Value (D7 to D0)</th> </tr> </thead> <tbody> <tr> <td>Power On Sequence</td> <td>00h</td> </tr> <tr> <td>S/W Reset</td> <td>00h</td> </tr> <tr> <td>H/W Reset</td> <td>00h</td> </tr> </tbody> </table>												Status	Default Value (D7 to D0)	Power On Sequence	00h	S/W Reset	00h	H/W Reset	00h				
Status	Default Value (D7 to D0)																							
Power On Sequence	00h																							
S/W Reset	00h																							
H/W Reset	00h																							
Flow Chart	<p>The flow chart illustrates the process of sending the CABC minimum brightness parameter. It starts with a command box labeled 'RDCABCMB(5Fh)' in a Host, which sends a signal to a Driver. The driver then performs the action 'Send Parameter CMB'. A legend on the right defines the symbols used: a trapezoid for 'Command', a parallelogram for 'Parameter', a rounded rectangle for 'Display', a hexagon for 'Action', a rounded rectangle for 'Mode', and a wavy-bottom rectangle for 'Sequential transfer'.</p>																							

12.2.40 RDABCSDR (68h/6800h): Read Automatic Brightness Control Self-Diagnostic Result

68H		WRCABCMB																						
Inst / Para	R/W	Address		D15-8	D7	D6	D5	D4	D3	D2	D1	D0												
		MIPI	SPI-16																					
WRCABCMB	R	68h	6800h	X	RLD	FUND	--	--	--	--	--	--												
Description	<p>This command indicates the current status of the display self-diagnostic results for automatic brightness control after sleep out -command as described below:</p> <p>-RLD: Register loading detection</p> <p>-FUND: Functionality detection</p> <p>“-“ Don't care</p>																							
Restriction	--																							
Register availability	<table border="1"> <thead> <tr> <th>Status</th> <th>Availability</th> </tr> </thead> <tbody> <tr> <td>Normal Mode On, Idle Mode Off, Sleep Out</td> <td>Yes</td> </tr> <tr> <td>Normal Mode On, Idle Mode On, Sleep Out</td> <td>Yes</td> </tr> <tr> <td>Partial Mode On, Idle Mode Off, Sleep Out</td> <td>Yes</td> </tr> <tr> <td>Partial Mode On, Idle Mode On, Sleep Out</td> <td>Yes</td> </tr> <tr> <td>Sleep In</td> <td>Yes</td> </tr> </tbody> </table>												Status	Availability	Normal Mode On, Idle Mode Off, Sleep Out	Yes	Normal Mode On, Idle Mode On, Sleep Out	Yes	Partial Mode On, Idle Mode Off, Sleep Out	Yes	Partial Mode On, Idle Mode On, Sleep Out	Yes	Sleep In	Yes
Status	Availability																							
Normal Mode On, Idle Mode Off, Sleep Out	Yes																							
Normal Mode On, Idle Mode On, Sleep Out	Yes																							
Partial Mode On, Idle Mode Off, Sleep Out	Yes																							
Partial Mode On, Idle Mode On, Sleep Out	Yes																							
Sleep In	Yes																							
Default	<table border="1"> <thead> <tr> <th>Status</th> <th>Default Value (D7 to D0)</th> </tr> </thead> <tbody> <tr> <td>Power On Sequence</td> <td>00h</td> </tr> <tr> <td>S/W Reset</td> <td>00h</td> </tr> <tr> <td>H/W Reset</td> <td>00h</td> </tr> </tbody> </table>												Status	Default Value (D7 to D0)	Power On Sequence	00h	S/W Reset	00h	H/W Reset	00h				
Status	Default Value (D7 to D0)																							
Power On Sequence	00h																							
S/W Reset	00h																							
H/W Reset	00h																							
Flow Chart	<pre> graph TD Host[Host] -- RDABCSDR(68h) --> Driver[Driver] Driver -- Send Parameter RLD,FUND --> Output[Send Parameter RLD,FUND] </pre> <p>Legend:</p> <ul style="list-style-type: none"> Command: Trapezoid Parameter: Parallelogram Display: Rounded rectangle Action: Hexagon Mode: Oval Sequential transfer: Wavy rectangle 																							

12.2.41 RDBWLB (70h/7000h):Read Black/White Low Bits

70H		RDBWLB																						
Inst / Para	R/W	Address		D15-8	D7	D6	D5	D4	D3	D2	D1	D0												
		MIPI	SPI-16																					
RDBWLB	R	70h	7000h	X	BKx1	BKx0	BKy1	BKy0	Wx1	Wx0	Wy1	Wy0												
Description	This command reads the lowest bits of black and white color characteristics. Black: Bkx and Bky White: Wx and Wy																							
Restriction	--																							
Register availability	<table border="1"> <thead> <tr> <th>Status</th> <th>Availability</th> </tr> </thead> <tbody> <tr> <td>Normal Mode On, Idle Mode Off, Sleep Out</td> <td>Yes</td> </tr> <tr> <td>Normal Mode On, Idle Mode On, Sleep Out</td> <td>Yes</td> </tr> <tr> <td>Partial Mode On, Idle Mode Off, Sleep Out</td> <td>Yes</td> </tr> <tr> <td>Partial Mode On, Idle Mode On, Sleep Out</td> <td>Yes</td> </tr> <tr> <td>Sleep In</td> <td>Yes</td> </tr> </tbody> </table>												Status	Availability	Normal Mode On, Idle Mode Off, Sleep Out	Yes	Normal Mode On, Idle Mode On, Sleep Out	Yes	Partial Mode On, Idle Mode Off, Sleep Out	Yes	Partial Mode On, Idle Mode On, Sleep Out	Yes	Sleep In	Yes
Status	Availability																							
Normal Mode On, Idle Mode Off, Sleep Out	Yes																							
Normal Mode On, Idle Mode On, Sleep Out	Yes																							
Partial Mode On, Idle Mode Off, Sleep Out	Yes																							
Partial Mode On, Idle Mode On, Sleep Out	Yes																							
Sleep In	Yes																							
Default	<table border="1"> <thead> <tr> <th>Status</th> <th>Default Value (D7 to D0)</th> </tr> </thead> <tbody> <tr> <td>Power On Sequence</td> <td>XXh</td> </tr> <tr> <td>S/W Reset</td> <td>XXh</td> </tr> <tr> <td>H/W Reset</td> <td>XXh</td> </tr> </tbody> </table>												Status	Default Value (D7 to D0)	Power On Sequence	XXh	S/W Reset	XXh	H/W Reset	XXh				
Status	Default Value (D7 to D0)																							
Power On Sequence	XXh																							
S/W Reset	XXh																							
H/W Reset	XXh																							
Flow Chart																								

12.2.42 RDBkx (71h/7100h):Read Bkx

71H	RDBkx																							
Inst / Para	R/W	Address		D15-8	D7	D6	D5	D4	D3	D2	D1	D0												
		MIPI	SPI-16																					
RDBkx	R	71h	7100h	X	BKx[9:2]																			
Description	This command reads the Bkx bits (Bkx [9:2]) of black color characteristics.																							
Restriction	Only the 2nd parameter is sent on the DSI; the 1st parameter is not sent.																							
Register availability	<table border="1"> <thead> <tr> <th>Status</th> <th>Availability</th> </tr> </thead> <tbody> <tr> <td>Normal Mode On, Idle Mode Off, Sleep Out</td> <td>Yes</td> </tr> <tr> <td>Normal Mode On, Idle Mode On, Sleep Out</td> <td>Yes</td> </tr> <tr> <td>Partial Mode On, Idle Mode Off, Sleep Out</td> <td>Yes</td> </tr> <tr> <td>Partial Mode On, Idle Mode On, Sleep Out</td> <td>Yes</td> </tr> <tr> <td>Sleep In</td> <td>Yes</td> </tr> </tbody> </table>												Status	Availability	Normal Mode On, Idle Mode Off, Sleep Out	Yes	Normal Mode On, Idle Mode On, Sleep Out	Yes	Partial Mode On, Idle Mode Off, Sleep Out	Yes	Partial Mode On, Idle Mode On, Sleep Out	Yes	Sleep In	Yes
Status	Availability																							
Normal Mode On, Idle Mode Off, Sleep Out	Yes																							
Normal Mode On, Idle Mode On, Sleep Out	Yes																							
Partial Mode On, Idle Mode Off, Sleep Out	Yes																							
Partial Mode On, Idle Mode On, Sleep Out	Yes																							
Sleep In	Yes																							
Default	<table border="1"> <thead> <tr> <th>Status</th> <th>Default Value (D7 to D0)</th> </tr> </thead> <tbody> <tr> <td>Power On Sequence</td> <td>XXh</td> </tr> <tr> <td>S/W Reset</td> <td>XXh</td> </tr> <tr> <td>H/W Reset</td> <td>XXh</td> </tr> </tbody> </table>												Status	Default Value (D7 to D0)	Power On Sequence	XXh	S/W Reset	XXh	H/W Reset	XXh				
Status	Default Value (D7 to D0)																							
Power On Sequence	XXh																							
S/W Reset	XXh																							
H/W Reset	XXh																							
Flow Chart																								

12.2.43 RDBky (72h/7200h):Read Bky

72H	RDBky																							
Inst / Para	R/W	Address		D15-8	D7	D6	D5	D4	D3	D2	D1	D0												
		MIPI	SPI-16																					
RDBky	R	72h	7200h	X	BKy[9:2]																			
Description	This command reads the Bkx bits (Bky [9:2]) of black color characteristics.																							
Restriction	Only the 2nd parameter is sent on the DSI; the 1st parameter is not sent.																							
Register availability	<table border="1"> <thead> <tr> <th>Status</th> <th>Availability</th> </tr> </thead> <tbody> <tr> <td>Normal Mode On, Idle Mode Off, Sleep Out</td> <td>Yes</td> </tr> <tr> <td>Normal Mode On, Idle Mode On, Sleep Out</td> <td>Yes</td> </tr> <tr> <td>Partial Mode On, Idle Mode Off, Sleep Out</td> <td>Yes</td> </tr> <tr> <td>Partial Mode On, Idle Mode On, Sleep Out</td> <td>Yes</td> </tr> <tr> <td>Sleep In</td> <td>Yes</td> </tr> </tbody> </table>												Status	Availability	Normal Mode On, Idle Mode Off, Sleep Out	Yes	Normal Mode On, Idle Mode On, Sleep Out	Yes	Partial Mode On, Idle Mode Off, Sleep Out	Yes	Partial Mode On, Idle Mode On, Sleep Out	Yes	Sleep In	Yes
Status	Availability																							
Normal Mode On, Idle Mode Off, Sleep Out	Yes																							
Normal Mode On, Idle Mode On, Sleep Out	Yes																							
Partial Mode On, Idle Mode Off, Sleep Out	Yes																							
Partial Mode On, Idle Mode On, Sleep Out	Yes																							
Sleep In	Yes																							
Default	<table border="1"> <thead> <tr> <th>Status</th> <th>Default Value (D7 to D0)</th> </tr> </thead> <tbody> <tr> <td>Power On Sequence</td> <td>XXh</td> </tr> <tr> <td>S/W Reset</td> <td>XXh</td> </tr> <tr> <td>H/W Reset</td> <td>XXh</td> </tr> </tbody> </table>												Status	Default Value (D7 to D0)	Power On Sequence	XXh	S/W Reset	XXh	H/W Reset	XXh				
Status	Default Value (D7 to D0)																							
Power On Sequence	XXh																							
S/W Reset	XXh																							
H/W Reset	XXh																							

12.2.44 RDWx (73h/7300h):Read Wx

73H		RDWx																						
Inst / Para	R/W	Address		D15-8	D7	D6	D5	D4	D3	D2	D1	D0												
		MIPI	SPI-16																					
RDWx	R	72h	7200h	X	Wx[9:2]																			
Description	This command reads the Wx bits (Bky [9:2]) of black color characteristics.																							
Restriction	Only the 2nd parameter is sent on the DSI; the 1st parameter is not sent.																							
Register availability	<table border="1"> <thead> <tr> <th>Status</th> <th>Availability</th> </tr> </thead> <tbody> <tr> <td>Normal Mode On, Idle Mode Off, Sleep Out</td> <td>Yes</td> </tr> <tr> <td>Normal Mode On, Idle Mode On, Sleep Out</td> <td>Yes</td> </tr> <tr> <td>Partial Mode On, Idle Mode Off, Sleep Out</td> <td>Yes</td> </tr> <tr> <td>Partial Mode On, Idle Mode On, Sleep Out</td> <td>Yes</td> </tr> <tr> <td>Sleep In</td> <td>Yes</td> </tr> </tbody> </table>												Status	Availability	Normal Mode On, Idle Mode Off, Sleep Out	Yes	Normal Mode On, Idle Mode On, Sleep Out	Yes	Partial Mode On, Idle Mode Off, Sleep Out	Yes	Partial Mode On, Idle Mode On, Sleep Out	Yes	Sleep In	Yes
Status	Availability																							
Normal Mode On, Idle Mode Off, Sleep Out	Yes																							
Normal Mode On, Idle Mode On, Sleep Out	Yes																							
Partial Mode On, Idle Mode Off, Sleep Out	Yes																							
Partial Mode On, Idle Mode On, Sleep Out	Yes																							
Sleep In	Yes																							
Default	<table border="1"> <thead> <tr> <th>Status</th> <th>Default Value (D7 to D0)</th> </tr> </thead> <tbody> <tr> <td>Power On Sequence</td> <td>XXh</td> </tr> <tr> <td>S/W Reset</td> <td>XXh</td> </tr> <tr> <td>H/W Reset</td> <td>XXh</td> </tr> </tbody> </table>												Status	Default Value (D7 to D0)	Power On Sequence	XXh	S/W Reset	XXh	H/W Reset	XXh				
Status	Default Value (D7 to D0)																							
Power On Sequence	XXh																							
S/W Reset	XXh																							
H/W Reset	XXh																							

12.2.45 RDWy (74h/7400h):Read Wy

74H		RDWy																						
Inst / Para	R/W	Address		D15-8	D7	D6	D5	D4	D3	D2	D1	D0												
		MIPI	SPI-16																					
RDWy	R	74h	7400h	X	Wy[9:2]																			
Description	This command reads the Wx bits (Bky [9:2]) of black color characteristics. “-“ Don't care																							
Restriction	Only the 2nd parameter is sent on the DSI; the 1st parameter is not sent.																							
Register availability	<table border="1"> <thead> <tr> <th>Status</th> <th>Availability</th> </tr> </thead> <tbody> <tr> <td>Normal Mode On, Idle Mode Off, Sleep Out</td> <td>Yes</td> </tr> <tr> <td>Normal Mode On, Idle Mode On, Sleep Out</td> <td>Yes</td> </tr> <tr> <td>Partial Mode On, Idle Mode Off, Sleep Out</td> <td>Yes</td> </tr> <tr> <td>Partial Mode On, Idle Mode On, Sleep Out</td> <td>Yes</td> </tr> <tr> <td>Sleep In</td> <td>Yes</td> </tr> </tbody> </table>												Status	Availability	Normal Mode On, Idle Mode Off, Sleep Out	Yes	Normal Mode On, Idle Mode On, Sleep Out	Yes	Partial Mode On, Idle Mode Off, Sleep Out	Yes	Partial Mode On, Idle Mode On, Sleep Out	Yes	Sleep In	Yes
Status	Availability																							
Normal Mode On, Idle Mode Off, Sleep Out	Yes																							
Normal Mode On, Idle Mode On, Sleep Out	Yes																							
Partial Mode On, Idle Mode Off, Sleep Out	Yes																							
Partial Mode On, Idle Mode On, Sleep Out	Yes																							
Sleep In	Yes																							
Default	<table border="1"> <thead> <tr> <th>Status</th> <th>Default Value (D7 to D0)</th> </tr> </thead> <tbody> <tr> <td>Power On Sequence</td> <td>XXh</td> </tr> <tr> <td>S/W Reset</td> <td>XXh</td> </tr> <tr> <td>H/W Reset</td> <td>XXh</td> </tr> </tbody> </table>												Status	Default Value (D7 to D0)	Power On Sequence	XXh	S/W Reset	XXh	H/W Reset	XXh				
Status	Default Value (D7 to D0)																							
Power On Sequence	XXh																							
S/W Reset	XXh																							
H/W Reset	XXh																							

12.2.46 RDRGLB (75h/7500h):Read Red/Green Low Bits

75H	RDRGLB																							
Inst / Para	R/W	Address		D15-8	D7	D6	D5	D4	D3	D2	D1	D0												
		MIPI	SPI-16																					
RDRGLB	R	75h	7500h	X	Rx1	Rx0	Ry1	Ry0	Gx1	Gx0	Gy1	Gy0												
Description	This command reads the lowest bits of red and green color characteristics. Red: Rx and Ry Green: Gx and Gy																							
Restriction	Only the 2nd parameter is sent on the DSI; the 1st parameter is not sent.																							
Register availability	<table border="1"> <thead> <tr> <th>Status</th> <th>Availability</th> </tr> </thead> <tbody> <tr> <td>Normal Mode On, Idle Mode Off, Sleep Out</td> <td>Yes</td> </tr> <tr> <td>Normal Mode On, Idle Mode On, Sleep Out</td> <td>Yes</td> </tr> <tr> <td>Partial Mode On, Idle Mode Off, Sleep Out</td> <td>Yes</td> </tr> <tr> <td>Partial Mode On, Idle Mode On, Sleep Out</td> <td>Yes</td> </tr> <tr> <td>Sleep In</td> <td>Yes</td> </tr> </tbody> </table>												Status	Availability	Normal Mode On, Idle Mode Off, Sleep Out	Yes	Normal Mode On, Idle Mode On, Sleep Out	Yes	Partial Mode On, Idle Mode Off, Sleep Out	Yes	Partial Mode On, Idle Mode On, Sleep Out	Yes	Sleep In	Yes
Status	Availability																							
Normal Mode On, Idle Mode Off, Sleep Out	Yes																							
Normal Mode On, Idle Mode On, Sleep Out	Yes																							
Partial Mode On, Idle Mode Off, Sleep Out	Yes																							
Partial Mode On, Idle Mode On, Sleep Out	Yes																							
Sleep In	Yes																							
Default	<table border="1"> <thead> <tr> <th>Status</th> <th>Default Value (D7 to D0)</th> </tr> </thead> <tbody> <tr> <td>Power On Sequence</td> <td>XXh</td> </tr> <tr> <td>S/W Reset</td> <td>XXh</td> </tr> <tr> <td>H/W Reset</td> <td>XXh</td> </tr> </tbody> </table>												Status	Default Value (D7 to D0)	Power On Sequence	XXh	S/W Reset	XXh	H/W Reset	XXh				
Status	Default Value (D7 to D0)																							
Power On Sequence	XXh																							
S/W Reset	XXh																							
H/W Reset	XXh																							

12.2.47 RDRx (76h/7600h):Read Rx

76H		RDRx																						
Inst / Para	R/W	Address		D15-8	D7	D6	D5	D4	D3	D2	D1	D0												
		MIPI	SPI-16																					
RDRx	R	76h	7600h	X	Rx[9:2]																			
Description	This command reads the Rx bits (Rx [9:2]) of red color characteristics.																							
Restriction	Only the 2nd parameter is sent on the DSI; the 1st parameter is not sent.																							
Register availability	<table border="1"> <thead> <tr> <th>Status</th> <th>Availability</th> </tr> </thead> <tbody> <tr> <td>Normal Mode On, Idle Mode Off, Sleep Out</td> <td>Yes</td> </tr> <tr> <td>Normal Mode On, Idle Mode On, Sleep Out</td> <td>Yes</td> </tr> <tr> <td>Partial Mode On, Idle Mode Off, Sleep Out</td> <td>Yes</td> </tr> <tr> <td>Partial Mode On, Idle Mode On, Sleep Out</td> <td>Yes</td> </tr> <tr> <td>Sleep In</td> <td>Yes</td> </tr> </tbody> </table>												Status	Availability	Normal Mode On, Idle Mode Off, Sleep Out	Yes	Normal Mode On, Idle Mode On, Sleep Out	Yes	Partial Mode On, Idle Mode Off, Sleep Out	Yes	Partial Mode On, Idle Mode On, Sleep Out	Yes	Sleep In	Yes
Status	Availability																							
Normal Mode On, Idle Mode Off, Sleep Out	Yes																							
Normal Mode On, Idle Mode On, Sleep Out	Yes																							
Partial Mode On, Idle Mode Off, Sleep Out	Yes																							
Partial Mode On, Idle Mode On, Sleep Out	Yes																							
Sleep In	Yes																							
Default	<table border="1"> <thead> <tr> <th>Status</th> <th>Default Value (D7 to D0)</th> </tr> </thead> <tbody> <tr> <td>Power On Sequence</td> <td>XXh</td> </tr> <tr> <td>S/W Reset</td> <td>XXh</td> </tr> <tr> <td>H/W Reset</td> <td>XXh</td> </tr> </tbody> </table>												Status	Default Value (D7 to D0)	Power On Sequence	XXh	S/W Reset	XXh	H/W Reset	XXh				
Status	Default Value (D7 to D0)																							
Power On Sequence	XXh																							
S/W Reset	XXh																							
H/W Reset	XXh																							

12.2.48 RDRy (77h/7700h):Read Ry

77H		RDRy																						
Inst / Para	R/W	Address		D15-8	D7	D6	D5	D4	D3	D2	D1	D0												
		MIPI	SPI-16																					
RDRy	R	77h	7700h	X	Ry[9:2]																			
Description	This command reads the Rx bits (Ry [9:2]) of red color characteristics.																							
Restriction	Only the 2nd parameter is sent on the DSI; the 1st parameter is not sent.																							
Register availability	<table border="1"> <thead> <tr> <th>Status</th> <th>Availability</th> </tr> </thead> <tbody> <tr> <td>Normal Mode On, Idle Mode Off, Sleep Out</td> <td>Yes</td> </tr> <tr> <td>Normal Mode On, Idle Mode On, Sleep Out</td> <td>Yes</td> </tr> <tr> <td>Partial Mode On, Idle Mode Off, Sleep Out</td> <td>Yes</td> </tr> <tr> <td>Partial Mode On, Idle Mode On, Sleep Out</td> <td>Yes</td> </tr> <tr> <td>Sleep In</td> <td>Yes</td> </tr> </tbody> </table>												Status	Availability	Normal Mode On, Idle Mode Off, Sleep Out	Yes	Normal Mode On, Idle Mode On, Sleep Out	Yes	Partial Mode On, Idle Mode Off, Sleep Out	Yes	Partial Mode On, Idle Mode On, Sleep Out	Yes	Sleep In	Yes
Status	Availability																							
Normal Mode On, Idle Mode Off, Sleep Out	Yes																							
Normal Mode On, Idle Mode On, Sleep Out	Yes																							
Partial Mode On, Idle Mode Off, Sleep Out	Yes																							
Partial Mode On, Idle Mode On, Sleep Out	Yes																							
Sleep In	Yes																							
Default	<table border="1"> <thead> <tr> <th>Status</th> <th>Default Value (D7 to D0)</th> </tr> </thead> <tbody> <tr> <td>Power On Sequence</td> <td>XXh</td> </tr> <tr> <td>S/W Reset</td> <td>XXh</td> </tr> <tr> <td>H/W Reset</td> <td>XXh</td> </tr> </tbody> </table>												Status	Default Value (D7 to D0)	Power On Sequence	XXh	S/W Reset	XXh	H/W Reset	XXh				
Status	Default Value (D7 to D0)																							
Power On Sequence	XXh																							
S/W Reset	XXh																							
H/W Reset	XXh																							

12.2.49 RDGx (78h/7800h):Read Gx

78H	RDGx																							
Inst / Para	R/W	Address		D15-8	D7	D6	D5	D4	D3	D2	D1	D0												
		MIPI	SPI-16																					
RDGx	R	77h	7700h	X	Gx[9:2]																			
Description	This command reads the Rx bits (Gx [9:2]) of red color characteristics.																							
Restriction	Only the 2nd parameter is sent on the DSI; the 1st parameter is not sent.																							
Register availability	<table border="1"> <thead> <tr> <th>Status</th> <th>Availability</th> </tr> </thead> <tbody> <tr> <td>Normal Mode On, Idle Mode Off, Sleep Out</td> <td>Yes</td> </tr> <tr> <td>Normal Mode On, Idle Mode On, Sleep Out</td> <td>Yes</td> </tr> <tr> <td>Partial Mode On, Idle Mode Off, Sleep Out</td> <td>Yes</td> </tr> <tr> <td>Partial Mode On, Idle Mode On, Sleep Out</td> <td>Yes</td> </tr> <tr> <td>Sleep In</td> <td>Yes</td> </tr> </tbody> </table>												Status	Availability	Normal Mode On, Idle Mode Off, Sleep Out	Yes	Normal Mode On, Idle Mode On, Sleep Out	Yes	Partial Mode On, Idle Mode Off, Sleep Out	Yes	Partial Mode On, Idle Mode On, Sleep Out	Yes	Sleep In	Yes
Status	Availability																							
Normal Mode On, Idle Mode Off, Sleep Out	Yes																							
Normal Mode On, Idle Mode On, Sleep Out	Yes																							
Partial Mode On, Idle Mode Off, Sleep Out	Yes																							
Partial Mode On, Idle Mode On, Sleep Out	Yes																							
Sleep In	Yes																							
Default	<table border="1"> <thead> <tr> <th>Status</th> <th>Default Value (D7 to D0)</th> </tr> </thead> <tbody> <tr> <td>Power On Sequence</td> <td>XXh</td> </tr> <tr> <td>S/W Reset</td> <td>XXh</td> </tr> <tr> <td>H/W Reset</td> <td>XXh</td> </tr> </tbody> </table>												Status	Default Value (D7 to D0)	Power On Sequence	XXh	S/W Reset	XXh	H/W Reset	XXh				
Status	Default Value (D7 to D0)																							
Power On Sequence	XXh																							
S/W Reset	XXh																							
H/W Reset	XXh																							

12.2.50 RDGy (79h/7900h):Read Gy

79H		RDGy																						
Inst / Para	R/W	Address		D15-8	D7	D6	D5	D4	D3	D2	D1	D0												
		MIPI	SPI-16																					
RDGy	R	79h	7900h	X	Gy[9:2]																			
Description	This command reads the Gx bits (Gx [9:2]) of red color characteristics.																							
Restriction	Only the 2nd parameter is sent on the DSI; the 1st parameter is not sent.																							
Register availability	<table border="1"> <thead> <tr> <th>Status</th> <th>Availability</th> </tr> </thead> <tbody> <tr> <td>Normal Mode On, Idle Mode Off, Sleep Out</td> <td>Yes</td> </tr> <tr> <td>Normal Mode On, Idle Mode On, Sleep Out</td> <td>Yes</td> </tr> <tr> <td>Partial Mode On, Idle Mode Off, Sleep Out</td> <td>Yes</td> </tr> <tr> <td>Partial Mode On, Idle Mode On, Sleep Out</td> <td>Yes</td> </tr> <tr> <td>Sleep In</td> <td>Yes</td> </tr> </tbody> </table>												Status	Availability	Normal Mode On, Idle Mode Off, Sleep Out	Yes	Normal Mode On, Idle Mode On, Sleep Out	Yes	Partial Mode On, Idle Mode Off, Sleep Out	Yes	Partial Mode On, Idle Mode On, Sleep Out	Yes	Sleep In	Yes
Status	Availability																							
Normal Mode On, Idle Mode Off, Sleep Out	Yes																							
Normal Mode On, Idle Mode On, Sleep Out	Yes																							
Partial Mode On, Idle Mode Off, Sleep Out	Yes																							
Partial Mode On, Idle Mode On, Sleep Out	Yes																							
Sleep In	Yes																							
Default	<table border="1"> <thead> <tr> <th>Status</th> <th>Default Value (D7 to D0)</th> </tr> </thead> <tbody> <tr> <td>Power On Sequence</td> <td>XXh</td> </tr> <tr> <td>S/W Reset</td> <td>XXh</td> </tr> <tr> <td>H/W Reset</td> <td>XXh</td> </tr> </tbody> </table>												Status	Default Value (D7 to D0)	Power On Sequence	XXh	S/W Reset	XXh	H/W Reset	XXh				
Status	Default Value (D7 to D0)																							
Power On Sequence	XXh																							
S/W Reset	XXh																							
H/W Reset	XXh																							

12.2.51 RDBALB (7Ah/7A00h):Read Blue/A Color Low Bits

7AH		RDBALB																						
Inst / Para	R/W	Address		D15-8	D7	D6	D5	D4	D3	D2	D1	D0												
		MIPI	SPI-16																					
RDBALB	R	7Ah	7A00h	X	Bx1	Bx0	By1	By0	Ax1	Ax0	Ay1	Ay0												
Description	This command reads the lowest bits of blue and A color color characteristics. Blue: Bx and By A color: Ax and Ay																							
Restriction	Only the 2nd parameter is sent on the DSI; the 1st parameter is not sent.																							
Register availability	<table border="1"> <thead> <tr> <th>Status</th> <th>Availability</th> </tr> </thead> <tbody> <tr> <td>Normal Mode On, Idle Mode Off, Sleep Out</td> <td>Yes</td> </tr> <tr> <td>Normal Mode On, Idle Mode On, Sleep Out</td> <td>Yes</td> </tr> <tr> <td>Partial Mode On, Idle Mode Off, Sleep Out</td> <td>Yes</td> </tr> <tr> <td>Partial Mode On, Idle Mode On, Sleep Out</td> <td>Yes</td> </tr> <tr> <td>Sleep In</td> <td>Yes</td> </tr> </tbody> </table>												Status	Availability	Normal Mode On, Idle Mode Off, Sleep Out	Yes	Normal Mode On, Idle Mode On, Sleep Out	Yes	Partial Mode On, Idle Mode Off, Sleep Out	Yes	Partial Mode On, Idle Mode On, Sleep Out	Yes	Sleep In	Yes
Status	Availability																							
Normal Mode On, Idle Mode Off, Sleep Out	Yes																							
Normal Mode On, Idle Mode On, Sleep Out	Yes																							
Partial Mode On, Idle Mode Off, Sleep Out	Yes																							
Partial Mode On, Idle Mode On, Sleep Out	Yes																							
Sleep In	Yes																							
Default	<table border="1"> <thead> <tr> <th>Status</th> <th>Default Value (D7 to D0)</th> </tr> </thead> <tbody> <tr> <td>Power On Sequence</td> <td>XXh</td> </tr> <tr> <td>S/W Reset</td> <td>XXh</td> </tr> <tr> <td>H/W Reset</td> <td>XXh</td> </tr> </tbody> </table>												Status	Default Value (D7 to D0)	Power On Sequence	XXh	S/W Reset	XXh	H/W Reset	XXh				
Status	Default Value (D7 to D0)																							
Power On Sequence	XXh																							
S/W Reset	XXh																							
H/W Reset	XXh																							

12.2.52 RDBx (7Bh/7B00h):Read Bx

7BH		RDBx																						
Inst / Para	R/W	Address		D15-8	D7	D6	D5	D4	D3	D2	D1	D0												
		MIPI	SPI-16																					
RDBx	R	7Bh	7B00h	X	Bx[9:2]																			
Description	This command reads the Bx bits (Bx [9:2]) of red color characteristics.																							
Restriction	Only the 2nd parameter is sent on the DSI; the 1st parameter is not sent.																							
Register availability	<table border="1"> <thead> <tr> <th>Status</th> <th>Availability</th> </tr> </thead> <tbody> <tr> <td>Normal Mode On, Idle Mode Off, Sleep Out</td> <td>Yes</td> </tr> <tr> <td>Normal Mode On, Idle Mode On, Sleep Out</td> <td>Yes</td> </tr> <tr> <td>Partial Mode On, Idle Mode Off, Sleep Out</td> <td>Yes</td> </tr> <tr> <td>Partial Mode On, Idle Mode On, Sleep Out</td> <td>Yes</td> </tr> <tr> <td>Sleep In</td> <td>Yes</td> </tr> </tbody> </table>												Status	Availability	Normal Mode On, Idle Mode Off, Sleep Out	Yes	Normal Mode On, Idle Mode On, Sleep Out	Yes	Partial Mode On, Idle Mode Off, Sleep Out	Yes	Partial Mode On, Idle Mode On, Sleep Out	Yes	Sleep In	Yes
Status	Availability																							
Normal Mode On, Idle Mode Off, Sleep Out	Yes																							
Normal Mode On, Idle Mode On, Sleep Out	Yes																							
Partial Mode On, Idle Mode Off, Sleep Out	Yes																							
Partial Mode On, Idle Mode On, Sleep Out	Yes																							
Sleep In	Yes																							
Default	<table border="1"> <thead> <tr> <th>Status</th> <th>Default Value (D7 to D0)</th> </tr> </thead> <tbody> <tr> <td>Power On Sequence</td> <td>XXh</td> </tr> <tr> <td>S/W Reset</td> <td>XXh</td> </tr> <tr> <td>H/W Reset</td> <td>XXh</td> </tr> </tbody> </table>												Status	Default Value (D7 to D0)	Power On Sequence	XXh	S/W Reset	XXh	H/W Reset	XXh				
Status	Default Value (D7 to D0)																							
Power On Sequence	XXh																							
S/W Reset	XXh																							
H/W Reset	XXh																							

12.2.53 RDBy (7Ch/7C00h):Read By

7CH		RDBy																						
Inst / Para	R/W	Address		D15-8	D7	D6	D5	D4	D3	D2	D1	D0												
		MIPI	SPI-16																					
RDBx	R	7Ch	7C00h	X	By[9:2]																			
Description	This command reads the By bits (By [9:2]) of red color characteristics.																							
Restriction	Only the 2nd parameter is sent on the DSI; the 1st parameter is not sent.																							
Register availability	<table border="1"> <thead> <tr> <th>Status</th> <th>Availability</th> </tr> </thead> <tbody> <tr> <td>Normal Mode On, Idle Mode Off, Sleep Out</td> <td>Yes</td> </tr> <tr> <td>Normal Mode On, Idle Mode On, Sleep Out</td> <td>Yes</td> </tr> <tr> <td>Partial Mode On, Idle Mode Off, Sleep Out</td> <td>Yes</td> </tr> <tr> <td>Partial Mode On, Idle Mode On, Sleep Out</td> <td>Yes</td> </tr> <tr> <td>Sleep In</td> <td>Yes</td> </tr> </tbody> </table>												Status	Availability	Normal Mode On, Idle Mode Off, Sleep Out	Yes	Normal Mode On, Idle Mode On, Sleep Out	Yes	Partial Mode On, Idle Mode Off, Sleep Out	Yes	Partial Mode On, Idle Mode On, Sleep Out	Yes	Sleep In	Yes
Status	Availability																							
Normal Mode On, Idle Mode Off, Sleep Out	Yes																							
Normal Mode On, Idle Mode On, Sleep Out	Yes																							
Partial Mode On, Idle Mode Off, Sleep Out	Yes																							
Partial Mode On, Idle Mode On, Sleep Out	Yes																							
Sleep In	Yes																							
Default	<table border="1"> <thead> <tr> <th>Status</th> <th>Default Value (D7 to D0)</th> </tr> </thead> <tbody> <tr> <td>Power On Sequence</td> <td>XXh</td> </tr> <tr> <td>S/W Reset</td> <td>XXh</td> </tr> <tr> <td>H/W Reset</td> <td>XXh</td> </tr> </tbody> </table>												Status	Default Value (D7 to D0)	Power On Sequence	XXh	S/W Reset	XXh	H/W Reset	XXh				
Status	Default Value (D7 to D0)																							
Power On Sequence	XXh																							
S/W Reset	XXh																							
H/W Reset	XXh																							

12.2.54 RDAx (7Dh/7D00h):Read Ax

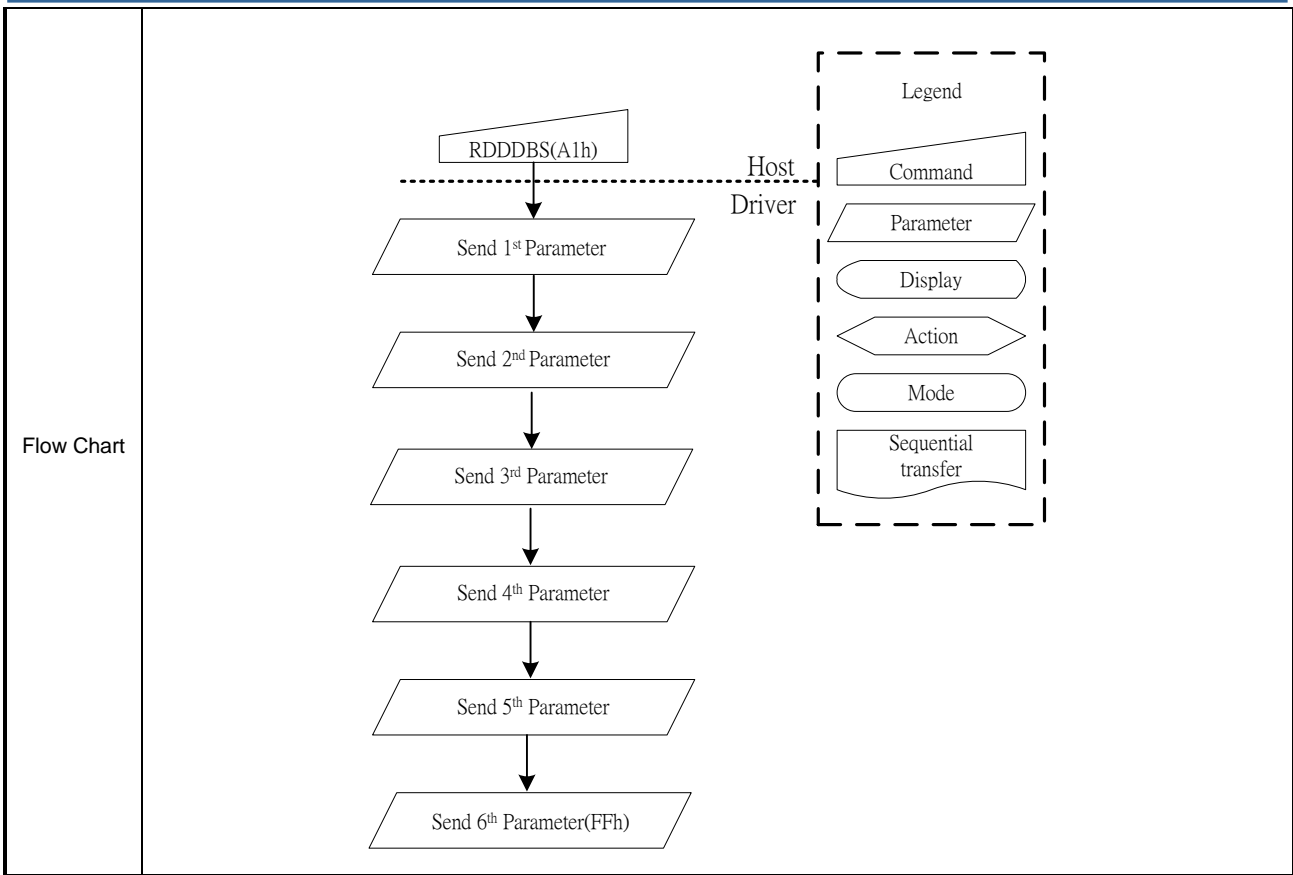
7DH		RDAx																						
Inst / Para	R/W	Address		D15-8	D7	D6	D5	D4	D3	D2	D1	D0												
		MIPI	SPI-16																					
RDAx	R	7Dh	7D00h	X	Ax[9:2]																			
Description	This command reads the Ax bits (Ax [9:2]) of red color characteristics.																							
Restriction	Only the 2nd parameter is sent on the DSI; the 1st parameter is not sent.																							
Register availability	<table border="1"> <thead> <tr> <th>Status</th> <th>Availability</th> </tr> </thead> <tbody> <tr> <td>Normal Mode On, Idle Mode Off, Sleep Out</td> <td>Yes</td> </tr> <tr> <td>Normal Mode On, Idle Mode On, Sleep Out</td> <td>Yes</td> </tr> <tr> <td>Partial Mode On, Idle Mode Off, Sleep Out</td> <td>Yes</td> </tr> <tr> <td>Partial Mode On, Idle Mode On, Sleep Out</td> <td>Yes</td> </tr> <tr> <td>Sleep In</td> <td>Yes</td> </tr> </tbody> </table>												Status	Availability	Normal Mode On, Idle Mode Off, Sleep Out	Yes	Normal Mode On, Idle Mode On, Sleep Out	Yes	Partial Mode On, Idle Mode Off, Sleep Out	Yes	Partial Mode On, Idle Mode On, Sleep Out	Yes	Sleep In	Yes
Status	Availability																							
Normal Mode On, Idle Mode Off, Sleep Out	Yes																							
Normal Mode On, Idle Mode On, Sleep Out	Yes																							
Partial Mode On, Idle Mode Off, Sleep Out	Yes																							
Partial Mode On, Idle Mode On, Sleep Out	Yes																							
Sleep In	Yes																							
Default	<table border="1"> <thead> <tr> <th>Status</th> <th>Default Value (D7 to D0)</th> </tr> </thead> <tbody> <tr> <td>Power On Sequence</td> <td>XXh</td> </tr> <tr> <td>S/W Reset</td> <td>XXh</td> </tr> <tr> <td>H/W Reset</td> <td>XXh</td> </tr> </tbody> </table>												Status	Default Value (D7 to D0)	Power On Sequence	XXh	S/W Reset	XXh	H/W Reset	XXh				
Status	Default Value (D7 to D0)																							
Power On Sequence	XXh																							
S/W Reset	XXh																							
H/W Reset	XXh																							

12.2.55 RDAy (7Eh/7E00h):Read Ay

7EH		RDAy																						
Inst / Para	R/W	Address		D15-8	D7	D6	D5	D4	D3	D2	D1	D0												
		MIPI	SPI-16																					
RDAy	R	7Dh	7D00h	X	Ay[9:2]																			
Description	This command reads the Ay bits (Ay [9:2]) of red color characteristics.																							
Restriction	Only the 2nd parameter is sent on the DSI; the 1st parameter is not sent.																							
Register availability	<table border="1"> <thead> <tr> <th>Status</th> <th>Availability</th> </tr> </thead> <tbody> <tr> <td>Normal Mode On, Idle Mode Off, Sleep Out</td> <td>Yes</td> </tr> <tr> <td>Normal Mode On, Idle Mode On, Sleep Out</td> <td>Yes</td> </tr> <tr> <td>Partial Mode On, Idle Mode Off, Sleep Out</td> <td>Yes</td> </tr> <tr> <td>Partial Mode On, Idle Mode On, Sleep Out</td> <td>Yes</td> </tr> <tr> <td>Sleep In</td> <td>Yes</td> </tr> </tbody> </table>												Status	Availability	Normal Mode On, Idle Mode Off, Sleep Out	Yes	Normal Mode On, Idle Mode On, Sleep Out	Yes	Partial Mode On, Idle Mode Off, Sleep Out	Yes	Partial Mode On, Idle Mode On, Sleep Out	Yes	Sleep In	Yes
Status	Availability																							
Normal Mode On, Idle Mode Off, Sleep Out	Yes																							
Normal Mode On, Idle Mode On, Sleep Out	Yes																							
Partial Mode On, Idle Mode Off, Sleep Out	Yes																							
Partial Mode On, Idle Mode On, Sleep Out	Yes																							
Sleep In	Yes																							
Default	<table border="1"> <thead> <tr> <th>Status</th> <th>Default Value (D7 to D0)</th> </tr> </thead> <tbody> <tr> <td>Power On Sequence</td> <td>XXh</td> </tr> <tr> <td>S/W Reset</td> <td>XXh</td> </tr> <tr> <td>H/W Reset</td> <td>XXh</td> </tr> </tbody> </table>												Status	Default Value (D7 to D0)	Power On Sequence	XXh	S/W Reset	XXh	H/W Reset	XXh				
Status	Default Value (D7 to D0)																							
Power On Sequence	XXh																							
S/W Reset	XXh																							
H/W Reset	XXh																							

12.2.56 RDDDBS (A1h/A100h): Read DDB Start

A1H		RDDDBS																						
Inst / Para	R/W	Address		D15-8	D7	D6	D5	D4	D3	D2	D1	D0												
		MIPI	SPI-16																					
RDDDBS	R	A1h	A100h	X	0x99																			
			A101h		0x03																			
			A102h		MID[15:8]																			
			A103h		MID[7:0]																			
			A104h		8'hff																			
Description	<p>This command reads the supplier identification and display module mode/revision information.</p> <p>Parameter 1: the ID of IC.(0x99).</p> <p>Parameter 2: the ID of IC.(0x03).</p> <p>Parameter 3: MRID [7:0] LCD module/driver ID.</p> <p>Parameter 4: MRID [15:8] IC version code.</p> <p>Parameter 5: FFh - Exit code – there is no more data in the Descriptor Block</p> <p>This read sequence can be interrupted by any command and it can be continued by the Read DDB Continue (A8h) command.</p> <p>For example, RDDDBS => 1st parameter has been sent => 2nd parameter has been sent => interrupt => RDDDBC => 3rd parameter of the RDDDBS has been sent.</p>																							
Restriction																								
Register availability	<table border="1"> <thead> <tr> <th>Status</th> <th>Availability</th> </tr> </thead> <tbody> <tr> <td>Normal Mode On, Idle Mode Off, Sleep Out</td> <td>Yes</td> </tr> <tr> <td>Normal Mode On, Idle Mode On, Sleep Out</td> <td>Yes</td> </tr> <tr> <td>Partial Mode On, Idle Mode Off, Sleep Out</td> <td>Yes</td> </tr> <tr> <td>Partial Mode On, Idle Mode On, Sleep Out</td> <td>Yes</td> </tr> <tr> <td>Sleep In</td> <td>Yes</td> </tr> </tbody> </table>												Status	Availability	Normal Mode On, Idle Mode Off, Sleep Out	Yes	Normal Mode On, Idle Mode On, Sleep Out	Yes	Partial Mode On, Idle Mode Off, Sleep Out	Yes	Partial Mode On, Idle Mode On, Sleep Out	Yes	Sleep In	Yes
Status	Availability																							
Normal Mode On, Idle Mode Off, Sleep Out	Yes																							
Normal Mode On, Idle Mode On, Sleep Out	Yes																							
Partial Mode On, Idle Mode Off, Sleep Out	Yes																							
Partial Mode On, Idle Mode On, Sleep Out	Yes																							
Sleep In	Yes																							
Default	<table border="1"> <thead> <tr> <th>Status</th> <th>Default Value (D7 to D0)</th> </tr> </thead> <tbody> <tr> <td>Power On Sequence</td> <td>XXh</td> </tr> <tr> <td>S/W Reset</td> <td>XXh</td> </tr> <tr> <td>H/W Reset</td> <td>XXh</td> </tr> </tbody> </table>												Status	Default Value (D7 to D0)	Power On Sequence	XXh	S/W Reset	XXh	H/W Reset	XXh				
Status	Default Value (D7 to D0)																							
Power On Sequence	XXh																							
S/W Reset	XXh																							
H/W Reset	XXh																							



12.2.57 RDDDBC (A8h/A800h): Read DDB Continue

A8H		RDDDBC																						
Inst / Para	R/W	Address		D15-8	D7	D6	D5	D4	D3	D2	D1	D0												
		MIPI	SPI-16																					
RDDDBC	R	A8h	A800h	X	SID[15:8]																			
			A801h		SID[7:0]																			
			A802h		MID[15:8]																			
			A803h		MID[7:0]																			
			A804h		8'hff																			
Description	This command is used to read the supplier's identification and revision information from the point where RDDDBS (A1h) was interrupted by another command.																							
Restriction																								
Register availability	<table border="1"> <thead> <tr> <th>Status</th> <th>Availability</th> </tr> </thead> <tbody> <tr> <td>Normal Mode On, Idle Mode Off, Sleep Out</td> <td>Yes</td> </tr> <tr> <td>Normal Mode On, Idle Mode On, Sleep Out</td> <td>Yes</td> </tr> <tr> <td>Partial Mode On, Idle Mode Off, Sleep Out</td> <td>Yes</td> </tr> <tr> <td>Partial Mode On, Idle Mode On, Sleep Out</td> <td>Yes</td> </tr> <tr> <td>Sleep In</td> <td>Yes</td> </tr> </tbody> </table>												Status	Availability	Normal Mode On, Idle Mode Off, Sleep Out	Yes	Normal Mode On, Idle Mode On, Sleep Out	Yes	Partial Mode On, Idle Mode Off, Sleep Out	Yes	Partial Mode On, Idle Mode On, Sleep Out	Yes	Sleep In	Yes
Status	Availability																							
Normal Mode On, Idle Mode Off, Sleep Out	Yes																							
Normal Mode On, Idle Mode On, Sleep Out	Yes																							
Partial Mode On, Idle Mode Off, Sleep Out	Yes																							
Partial Mode On, Idle Mode On, Sleep Out	Yes																							
Sleep In	Yes																							
Default	<table border="1"> <thead> <tr> <th>Status</th> <th>Default Value (D7 to D0)</th> </tr> </thead> <tbody> <tr> <td>Power On Sequence</td> <td>XXh</td> </tr> <tr> <td>S/W Reset</td> <td>XXh</td> </tr> <tr> <td>H/W Reset</td> <td>XXh</td> </tr> </tbody> </table>												Status	Default Value (D7 to D0)	Power On Sequence	XXh	S/W Reset	XXh	H/W Reset	XXh				
Status	Default Value (D7 to D0)																							
Power On Sequence	XXh																							
S/W Reset	XXh																							
H/W Reset	XXh																							
Flow Chart																								

12.2.58 RDFCS (AAh/AA00h): Read First Checksum

AAH	RDFCS																							
Inst / Para	R/W	Address		D15-8	D7	D6	D5	D4	D3	D2	D1	D0												
		MIPI	SPI-16																					
RDFCS	R	7Dh	7D00h	X	FCS[7:0]																			
Description	This command reads the first checksum calculated from registers of the User's area and the Frame Memory after the write access to those registers and/or Frame Memory has been done.																							
Restriction	Only the 2nd parameter is sent on the DSI; the 1st parameter is not sent.																							
Register availability	<table border="1"> <thead> <tr> <th>Status</th> <th>Availability</th> </tr> </thead> <tbody> <tr> <td>Normal Mode On, Idle Mode Off, Sleep Out</td> <td>Yes</td> </tr> <tr> <td>Normal Mode On, Idle Mode On, Sleep Out</td> <td>Yes</td> </tr> <tr> <td>Partial Mode On, Idle Mode Off, Sleep Out</td> <td>Yes</td> </tr> <tr> <td>Partial Mode On, Idle Mode On, Sleep Out</td> <td>Yes</td> </tr> <tr> <td>Sleep In</td> <td>Yes</td> </tr> </tbody> </table>												Status	Availability	Normal Mode On, Idle Mode Off, Sleep Out	Yes	Normal Mode On, Idle Mode On, Sleep Out	Yes	Partial Mode On, Idle Mode Off, Sleep Out	Yes	Partial Mode On, Idle Mode On, Sleep Out	Yes	Sleep In	Yes
Status	Availability																							
Normal Mode On, Idle Mode Off, Sleep Out	Yes																							
Normal Mode On, Idle Mode On, Sleep Out	Yes																							
Partial Mode On, Idle Mode Off, Sleep Out	Yes																							
Partial Mode On, Idle Mode On, Sleep Out	Yes																							
Sleep In	Yes																							
Default	<table border="1"> <thead> <tr> <th>Status</th> <th>Default Value (D7 to D0)</th> </tr> </thead> <tbody> <tr> <td>Power On Sequence</td> <td>78h</td> </tr> <tr> <td>S/W Reset</td> <td>78h</td> </tr> <tr> <td>H/W Reset</td> <td>78h</td> </tr> </tbody> </table>												Status	Default Value (D7 to D0)	Power On Sequence	78h	S/W Reset	78h	H/W Reset	78h				
Status	Default Value (D7 to D0)																							
Power On Sequence	78h																							
S/W Reset	78h																							
H/W Reset	78h																							
Flow Chart	<pre> graph TD subgraph Host_Driver [Host Driver] C1[/RDFCS(AAh)/] C2[/Send 1st Parameter/] C3[/Send FCS[7:0]/] end C1 --> C2 C2 --> C3 </pre> <p>Legend:</p> <ul style="list-style-type: none"> Command: Trapezoid Parameter: Parallelogram Display: Rounded rectangle Action: Diamond Mode: Oval Sequential transfer: Wavy rectangle 																							

12.2.59 RDCCS (AFh/AF00h): Read Continue Checksum

AFH	RDCCS																							
Inst / Para	R/W	Address		D15-8	D7	D6	D5	D4	D3	D2	D1	D0												
		MIPI	SPI-16																					
RDCCS	R	AFh	AF00h	X	CCS[7:0]																			
Description	This command reads the following checksum that is calculated continuously after the first checksum from registers of the User's area and the Frame Memory after the write access to those registers and/or Frame Memory is done.																							
Restriction	It is necessary to wait 300ms after the last write access to registers of the User's area before this checksum value can be read the first time. Only the 2nd parameter is sent on the DSI; the 1st parameter is not sent.																							
Register availability	<table border="1"> <thead> <tr> <th>Status</th> <th>Availability</th> </tr> </thead> <tbody> <tr> <td>Normal Mode On, Idle Mode Off, Sleep Out</td> <td>Yes</td> </tr> <tr> <td>Normal Mode On, Idle Mode On, Sleep Out</td> <td>Yes</td> </tr> <tr> <td>Partial Mode On, Idle Mode Off, Sleep Out</td> <td>Yes</td> </tr> <tr> <td>Partial Mode On, Idle Mode On, Sleep Out</td> <td>Yes</td> </tr> <tr> <td>Sleep In</td> <td>Yes</td> </tr> </tbody> </table>												Status	Availability	Normal Mode On, Idle Mode Off, Sleep Out	Yes	Normal Mode On, Idle Mode On, Sleep Out	Yes	Partial Mode On, Idle Mode Off, Sleep Out	Yes	Partial Mode On, Idle Mode On, Sleep Out	Yes	Sleep In	Yes
Status	Availability																							
Normal Mode On, Idle Mode Off, Sleep Out	Yes																							
Normal Mode On, Idle Mode On, Sleep Out	Yes																							
Partial Mode On, Idle Mode Off, Sleep Out	Yes																							
Partial Mode On, Idle Mode On, Sleep Out	Yes																							
Sleep In	Yes																							
Default	<table border="1"> <thead> <tr> <th>Status</th> <th>Default Value (D7 to D0)</th> </tr> </thead> <tbody> <tr> <td>Power On Sequence</td> <td>78h</td> </tr> <tr> <td>S/W Reset</td> <td>78h</td> </tr> <tr> <td>H/W Reset</td> <td>78h</td> </tr> </tbody> </table>												Status	Default Value (D7 to D0)	Power On Sequence	78h	S/W Reset	78h	H/W Reset	78h				
Status	Default Value (D7 to D0)																							
Power On Sequence	78h																							
S/W Reset	78h																							
H/W Reset	78h																							
Flow Chart	<pre> graph TD A[RDCCS(AFh)] -- Host Driver --> B[/Send 1st Parameter/] B --> C[/Send CCS[7:0]/] </pre> <p>Legend</p> <ul style="list-style-type: none"> Command: trapezoid Parameter: parallelogram Display: rounded rectangle Action: chevron Mode: rounded rectangle Sequential transfer: wavy rectangle 																							

12.2.60 RDID1 (DAh/DA00h): Read ID1

DAH	RDID1																							
Inst / Para	R/W	Address		D15-8	D7	D6	D5	D4	D3	D2	D1	D0												
		MIPI	SPI-16																					
RDID1	R	DAh	DA00h	X	ID1[7:0]																			
Description	-This read byte identifies the LCD module's manufacturer.																							
Restriction																								
Register availability	<table border="1"> <thead> <tr> <th>Status</th> <th>Availability</th> </tr> </thead> <tbody> <tr> <td>Normal Mode On, Idle Mode Off, Sleep Out</td> <td>Yes</td> </tr> <tr> <td>Normal Mode On, Idle Mode On, Sleep Out</td> <td>Yes</td> </tr> <tr> <td>Partial Mode On, Idle Mode Off, Sleep Out</td> <td>Yes</td> </tr> <tr> <td>Partial Mode On, Idle Mode On, Sleep Out</td> <td>Yes</td> </tr> <tr> <td>Sleep In</td> <td>Yes</td> </tr> </tbody> </table>												Status	Availability	Normal Mode On, Idle Mode Off, Sleep Out	Yes	Normal Mode On, Idle Mode On, Sleep Out	Yes	Partial Mode On, Idle Mode Off, Sleep Out	Yes	Partial Mode On, Idle Mode On, Sleep Out	Yes	Sleep In	Yes
Status	Availability																							
Normal Mode On, Idle Mode Off, Sleep Out	Yes																							
Normal Mode On, Idle Mode On, Sleep Out	Yes																							
Partial Mode On, Idle Mode Off, Sleep Out	Yes																							
Partial Mode On, Idle Mode On, Sleep Out	Yes																							
Sleep In	Yes																							
Default	<table border="1"> <thead> <tr> <th>Status</th> <th>Default Value (D7 to D0)</th> </tr> </thead> <tbody> <tr> <td>Power On Sequence</td> <td>xxh</td> </tr> <tr> <td>S/W Reset</td> <td>xxh</td> </tr> <tr> <td>H/W Reset</td> <td>xxh</td> </tr> </tbody> </table>												Status	Default Value (D7 to D0)	Power On Sequence	xxh	S/W Reset	xxh	H/W Reset	xxh				
Status	Default Value (D7 to D0)																							
Power On Sequence	xxh																							
S/W Reset	xxh																							
H/W Reset	xxh																							
Flow Chart	<pre> graph TD Host[Host] -- RDID1(DAh) --> Driver[Driver] Driver --> Param[/Send 1st Parameter/] Param --> ID[/Send ID1[7:0]/] </pre>																							

12.2.61 RDID2 (DBh/DB00h): Read ID2

DBH	RDID2																							
Inst / Para	R/W	Address		D15-8	D7	D6	D5	D4	D3	D2	D1	D0												
		MIPI	SPI-16																					
RDID2	R	DBh	DB00h	X	ID2[7:0]																			
Description	-This read byte identifies the LCD module's manufacturer.																							
Restriction																								
Register availability	<table border="1"> <thead> <tr> <th>Status</th> <th>Availability</th> </tr> </thead> <tbody> <tr> <td>Normal Mode On, Idle Mode Off, Sleep Out</td> <td>Yes</td> </tr> <tr> <td>Normal Mode On, Idle Mode On, Sleep Out</td> <td>Yes</td> </tr> <tr> <td>Partial Mode On, Idle Mode Off, Sleep Out</td> <td>Yes</td> </tr> <tr> <td>Partial Mode On, Idle Mode On, Sleep Out</td> <td>Yes</td> </tr> <tr> <td>Sleep In</td> <td>Yes</td> </tr> </tbody> </table>												Status	Availability	Normal Mode On, Idle Mode Off, Sleep Out	Yes	Normal Mode On, Idle Mode On, Sleep Out	Yes	Partial Mode On, Idle Mode Off, Sleep Out	Yes	Partial Mode On, Idle Mode On, Sleep Out	Yes	Sleep In	Yes
Status	Availability																							
Normal Mode On, Idle Mode Off, Sleep Out	Yes																							
Normal Mode On, Idle Mode On, Sleep Out	Yes																							
Partial Mode On, Idle Mode Off, Sleep Out	Yes																							
Partial Mode On, Idle Mode On, Sleep Out	Yes																							
Sleep In	Yes																							
Default	<table border="1"> <thead> <tr> <th>Status</th> <th>Default Value (D7 to D0)</th> </tr> </thead> <tbody> <tr> <td>Power On Sequence</td> <td>xxh</td> </tr> <tr> <td>S/W Reset</td> <td>xxh</td> </tr> <tr> <td>H/W Reset</td> <td>xxh</td> </tr> </tbody> </table>												Status	Default Value (D7 to D0)	Power On Sequence	xxh	S/W Reset	xxh	H/W Reset	xxh				
Status	Default Value (D7 to D0)																							
Power On Sequence	xxh																							
S/W Reset	xxh																							
H/W Reset	xxh																							
Flow Chart																								

12.2.62 RDID3 (DCh/DC00h): Read ID3

DCH		RDID3																						
Inst / Para	R/W	Address		D15-8	D7	D6	D5	D4	D3	D2	D1	D0												
		MIPI	SPI-16																					
RDID3	R	DCh	DC00h	X	ID3[7:0]																			
Description	-This read byte identifies the LCD module's manufacturer.																							
Restriction																								
Register availability	<table border="1"> <thead> <tr> <th>Status</th> <th>Availability</th> </tr> </thead> <tbody> <tr> <td>Normal Mode On, Idle Mode Off, Sleep Out</td> <td>Yes</td> </tr> <tr> <td>Normal Mode On, Idle Mode On, Sleep Out</td> <td>Yes</td> </tr> <tr> <td>Partial Mode On, Idle Mode Off, Sleep Out</td> <td>Yes</td> </tr> <tr> <td>Partial Mode On, Idle Mode On, Sleep Out</td> <td>Yes</td> </tr> <tr> <td>Sleep In</td> <td>Yes</td> </tr> </tbody> </table>												Status	Availability	Normal Mode On, Idle Mode Off, Sleep Out	Yes	Normal Mode On, Idle Mode On, Sleep Out	Yes	Partial Mode On, Idle Mode Off, Sleep Out	Yes	Partial Mode On, Idle Mode On, Sleep Out	Yes	Sleep In	Yes
Status	Availability																							
Normal Mode On, Idle Mode Off, Sleep Out	Yes																							
Normal Mode On, Idle Mode On, Sleep Out	Yes																							
Partial Mode On, Idle Mode Off, Sleep Out	Yes																							
Partial Mode On, Idle Mode On, Sleep Out	Yes																							
Sleep In	Yes																							
Default	<table border="1"> <thead> <tr> <th>Status</th> <th>Default Value (D7 to D0)</th> </tr> </thead> <tbody> <tr> <td>Power On Sequence</td> <td>xxh</td> </tr> <tr> <td>S/W Reset</td> <td>xxh</td> </tr> <tr> <td>H/W Reset</td> <td>xxh</td> </tr> </tbody> </table>												Status	Default Value (D7 to D0)	Power On Sequence	xxh	S/W Reset	xxh	H/W Reset	xxh				
Status	Default Value (D7 to D0)																							
Power On Sequence	xxh																							
S/W Reset	xxh																							
H/W Reset	xxh																							
Flow Chart																								

12.3 System Function Command Table 2

Instruction	Address		R/W	PNUM	D7	D6	D5	D4	D3	D2	D1	D0	Function
	MIPI	SPI-16											
CN2BKxSEL	FFh	FF00h	W	5	0	1	1	1	0	1	1	1	Command2_BKx Function Selection
		FF01h			0	0	0	0	0	0	0	1	
		FF02h			--	--	--	--	--	--	--	--	
		FF03h			--	--	--	--	--	--	--	--	
		FF04h			0	0	0	CN2	0	0	0	BKSEL	

Command2_BK0

Instruction	Address		R/W/C	PNUM	D7	D6	D5	D4	D3	D2	D1	D0	Function
	MIPI	SPI-16											
PVGAMCTRL	B0h	B000h	W	16	AJ0P[1:0]		--	--	VC0P[3:0]			Positive Voltage Gamma Control	
		B001h			AJ1P[1:0]		VC4P[5:0]						
		B002h			AJ2P[1:0]		VC8P[5:0]						
		B003h			--	--	--	VC16P[4:0]					
		B004h			AJ3P[1:0]		--	VC24P[4:0]					
		B005h			--	--	--	--	VC52P[3:0]				
		B006h			--	--	VC80P[5:0]						
		B007h			--	--	--	--	VC108P[3:0]				
		B008h			--	--	--	--	VC147P[3:0]				
		B009h			--	--	VC175P[5:0]						
		B00Ah			--	--	--	--	VC203P[3:0]				
		B00Bh			AJ4P[1:0]		--	VC231P[4:0]					
		B00Ch			--	--	--	VC239P[4:0]					
		B00Dh			AJ5P[1:0]		VC247P[5:0]						
		B00Eh			AJ6P[1:0]		VC251P[5:0]						
		B00Fh			AJ7P[1:0]		--	VC255P[4:0]					
NVGAMCTRL	B1h	B100h	W	16	AJ0N[1:0]		--	--	VC0N[3:0]			Negative Voltage Gamma Control	
		B101h			AJ1N[1:0]		VC4N[5:0]						
		B102h			AJ2N[1:0]		AJ2P[1:0]						
		B103h			--	--	--	VC16N[4:0]					
		B104h			--	--	--	VC24N[4:0]					
		B105h			--	--	--	--	VC52N[3:0]				
		B106h			--	--	VC80N[5:0]						
		B107h			--	--	--	--	VC108N[3:0]				
		B108h			--	--	--	--	VC147N[3:0]				

Instruction	Address		R/W/C	PNUM	D7	D6	D5	D4	D3	D2	D1	D0	Function	
	MIPI	SPI-16												
		B109h			--	--	VC175N[5:0]							
		B10Ah			--	--	--	--	VC203N[3:0]					
		B10Bh			AJ4N[1:0]		--	VC231N[4:0]						
		B10Ch			--	--	--	VC239N[4:0]						
		B10Dh			AJ5N[1:0]		AJ5P[1:0]							
		B10Eh			AJ6N[1:0]		AJ6P[1:0]							
		B10Fh			AJ7N[1:0]		--	VC255N[4:0]						
DGMEN	B8	B800h	W	1	0	0	0	DGM_ON	0	0	0	0	Digital Gamma Enable	
DGMLUTR	B9	B900	W	130	P0[7:0]								Digital Gamma Look-up Table for Red	
		B901			--	--	--	--	--	--	P0[9:8]			
		B902			--	--	--	--	--	--	P4[1:0]			
		B903			--	--	--	--	--	--	--	--		
		B904			P8[7:0]									
		B905			--	--	--	--	--	--	P8[9:8]			
		B906			--	--	--	--	--	--	P12[1:0]			
		B907			--	--	--	--	--	--	--	--		
		:			:									
		:			:									
		B97C			P248[7:0]									
		B97D			--	--	--	--	--	--	P248[9:8]			
		B97E			--	--	--	--	--	--	P252[1:0]			
		B97F			--	--	--	--	--	--	--	--		
		B980			P255[7:0]									
B981	--	--	--	--	--	--	P255[9:8]							
DGMLUTB	BA	BA00	W	130	P0[7:0]								Digital Gamma Look-up Table for Blue	
		BA01			--	--	--	--	--	--	P0[9:8]			
		BA02			--	--	--	--	--	--	P4[1:0]			
		BA03			--	--	--	--	--	--	--	--		
		BA04			P8[7:0]									
		BA05			--	--	--	--	--	--	P8[9:8]			
		BA06			--	--	--	--	--	--	P12[1:0]			
		BA07			--	--	--	--	--	--	--	--		
		:			:									
		:			:									

Instruction	Address		R/W/C	PNUM	D7	D6	D5	D4	D3	D2	D1	D0	Function	
	MIPI	SPI-16												
		BA7C			P248[7:0]									
		BA7D			--	--	--	--	--	--	P248[9:8]			
		BA7E			--	--	--	--	--	--	P252[1:0]			
		BA7F			--	--	--	--	--	--	--	--		
		BA80			P255[7:0]									
		BA81			--	--	--	--	--	--	P255[9:8]			
PWM_CLK	BC	BC00	W	1	0	0	0	1	1	Pwm_clk_sel[2:0]			PWM CLK select	
LNESET	C0	C000	W	2	LDE_EN	Line[6:0]							Display Line setting	
		C001		2	--	--	--	--	--	--	Line_Delta[1:0]			
PORCTRL	C1	C100	W	2	VBP[7:0]								Porch control	
		C101		2	VFP[7:0]									
INVSEL	C2	C200	W	2	0	0	1	1	0	NLINV[2:0]				Inversion selection & Frame Rate Control
		C201		2	--	--	--	RTNI[4:0]						
RGBCTRL	C3	C300	W	3	DE/HV	--	--	--	VSP	HSP	DP	EP	RGB control	
		C301		3	HBP_HVRGB[7:0]									
		C302		3	VBP_HVRGB[7:0]									
PARCTRL	C5	C500	W	4	PTSA[7:0]								Partial mode Control	
		C501		4	--	--	--	--	--	--	PTSA[9:8]			
		C502		4	PTEA[7:0]									
		C503		4	--	--	--	--	--	--	PTEA[9:8]			
SDIR	C7	C700	W	1	--	--	--	--	--	SS	--	--	Source direction control	
PDOTSET	C8	C800	W	1	Z_EN	Z_SDM1S	Z_GtoR	--	--	--	--	--	Pesudo-Dot inversion driving setting	
COLCTRL	CD	CD00	W	1	--	--	INV_LED PWM	INV_LED ON	MDT	EPF[2:0]			Color Control	
SSCTRL	CE	CE00	W	1	DSSE	0	DSSRG[1:0]		0	1	0	0	Spread spectrum Control	
SECTRL	E0	E000	W	1	--	--	--	SRE	SRE_alpha[3:0]			Sunlight Readable Enhancement		
NRCTRL	E1	E100	W	1	--	--	--	NRE	--	--	NR_md[1:0]		Noise Reduce Control	
SECTRL	E2	E200	W	1	--	--	--	SE	Y_gain[3:0]			Sharpness Control		
CCCTRL	E3	E300	W	1	--	--	--	--	--	--	--	CCE	Color Calibration Control	
SKCTRL	E4	E400	W	1	--	--	--	SKE	--	--	Skin_ce_mid[1:0]		Skin Tone Preservation Control	
NVMSETE	EA	EA00	W	1	--	--	--	--	--	--	--	ADEN	NVM address Setting Enable	
CABCCTRL	EE	EE00	W	1	'..	'..	'..	LEDPWR SEL	'..	'..	'..	LED_EN	CABC Control	

Command2_BK1

Instruction	Address		R/W/C	PNUM	D7	D6	D5	D4	D3	D2	D1	D0	Function
	MIPI	SPI-16											
VRHS	B0	B000	W	1	VRHA[7:0]							Vop amplitude setting	
VCOMS	B1	B100	W	1	VCOM[7:0]							VCOM amplitude setting	
VGHSS	B2	B200	W	1	--	--	--	--	VGHSS[3:0]			VGH Voltage setting	
TESCMD	B3	B300	W	1	1	--	--	--	--	0	0	0	TEST Command Setting
VGLS	B5	B500	W	1	0	1	--	--	VGLS[3:0]			VGL Voltage setting	
VRHDV	B6	B600	W	1	0	VRH_DV[6:0]						VRH_DV Voltage setting	
PWCTRL1	B7	B700	W	1	AP[1:0]		--	--	APIS[1:0]		APOS[1:0]		Power Control 1
PWCTRL2	B8	B800	W	1	--	--	AVDD[1:0]		--	--	AVCL[1:0]		Power Control 2
PWCTRL3	B9	B900	W	1	--	--	SVPO_PUM		--	--	SVNO_PUM		Power Control 3
PCLKS 1	BA	BA00	W	1	--	--	STP4CKS[1:0]		--	--	STP1CKS[1:0]		Power pumping clk selection 1
PCLKS 2	BB	BB00	W	1	--	--	--	--	--	--	SBSTCKS[1:0]		Power pumping clk selection 2
PCLKS 3	BC	BC00	W	1	--	--	STP3CKS[1:0]		STP2PCKS[1:0]		STP2SCKS[1:0]		Power pumping clk selection 3
PDR1	C1	C100	W	1	0	1	1	1	T2D				Source pre_drive timing set1
PDR2	C2	C200	W	1	0	1	1	1	T3D				Source pre_drive timing set2
MIPISET 1	D0	D000	W	1	1	0	0	0	EOTP_EN	0	ERR_SEL[1:0]		MIPI Setting 1
MIPISET 2	D1	D100	W	4	Mpc_tlp1[3:0]				Mpc_tlp0[3:0]				MIPI Setting 2
		D101			Mpc_tptimead[3:0]				Mpc_tlp2[3:0]				
		D102			--	--	--	--	Mpc_ttago[3:0]				
		D103			--	--	--	--	Mpc_ttaget[3:0]				
MIPISET 3	D2	D200	W	1	--	--	1	1	PHY_tasure[3:0]			MIPI Setting 3	
MIPISET 4	D3	D300	W	2	--	--	--	--	--	PHY_CSK[2:0]			MIPI Setting 4
		D301			--	PHY_dsk1[2:0]			--	PHY_dsk0[2:0]			

Command2_BK3

Instruction	Address		R/W/C	PNUM	D7	D6	D5	D4	D3	D2	D1	D0	Function
	MIPI	SPI-16											
NVMEN	C8	C800	W	4	0	1	1	1	0	1	1	1	NVM Enable
		C801			0	0	0	0	0	0	0	1	
		C802			1	1	1	0	1	1	1	0	
		C803			0	0	0	0	0	1	0	0	
NVMSET	CA	CA00	W	3	--						PA [9:8]		NVM manual control Setting
		CA01			PA [7:0]								
		CA02			PDIN [7:0]								

Instruction	Address		R/W/C	PNUM	D7	D6	D5	D4	D3	D2	D1	D0	Function
	MIPI	SPI-16											
PROMACT	CC	CC01	W	1	1	0	1	0	1	0	1	0	NVM Program Active

12.3.1 CND2BKxSEL (FFh/FF00h): Command2 BKx Selection

FFH		CND2BKxSEL																						
Inst / Para	R/W	Address		D15-8	D7	D6	D5	D4	D3	D2	D1	D0												
		MIPI	SPI-16																					
CN2BKxSEL	W	FFh	FF00h	X	0	1	1	1	0	1	1	1												
	W		FF01h	X	0	0	0	0	0	0	0	1												
	W		FF02h	X	0	0	0	0	0	0	0	0												
	W		FF03h	X	0	0	0	0	0	0	0	0												
	W		FF04h	X	0	0	0	CN2	0	0	0	BKxSEL												
Description	<p>This command is used to select the function of Command BK0 or Command BK1. When CN2='1' enable the BK function of Command2, CN2='0' disable the BK function of Command2.</p> <table border="1"> <thead> <tr> <th>BKxSEL</th> <th>BKx Function Select</th> </tr> </thead> <tbody> <tr> <td>00h</td> <td>BK0</td> </tr> <tr> <td>01h</td> <td>BK1</td> </tr> <tr> <td>03h</td> <td>BK3</td> </tr> </tbody> </table>												BKxSEL	BKx Function Select	00h	BK0	01h	BK1	03h	BK3				
BKxSEL	BKx Function Select																							
00h	BK0																							
01h	BK1																							
03h	BK3																							
Restriction																								
Register availability	<table border="1"> <thead> <tr> <th>Status</th> <th>Availability</th> </tr> </thead> <tbody> <tr> <td>Normal Mode On, Idle Mode Off, Sleep Out</td> <td>Yes</td> </tr> <tr> <td>Normal Mode On, Idle Mode On, Sleep Out</td> <td>Yes</td> </tr> <tr> <td>Partial Mode On, Idle Mode Off, Sleep Out</td> <td>Yes</td> </tr> <tr> <td>Partial Mode On, Idle Mode On, Sleep Out</td> <td>Yes</td> </tr> <tr> <td>Sleep In</td> <td>Yes</td> </tr> </tbody> </table>												Status	Availability	Normal Mode On, Idle Mode Off, Sleep Out	Yes	Normal Mode On, Idle Mode On, Sleep Out	Yes	Partial Mode On, Idle Mode Off, Sleep Out	Yes	Partial Mode On, Idle Mode On, Sleep Out	Yes	Sleep In	Yes
Status	Availability																							
Normal Mode On, Idle Mode Off, Sleep Out	Yes																							
Normal Mode On, Idle Mode On, Sleep Out	Yes																							
Partial Mode On, Idle Mode Off, Sleep Out	Yes																							
Partial Mode On, Idle Mode On, Sleep Out	Yes																							
Sleep In	Yes																							
Default	<table border="1"> <thead> <tr> <th>Status</th> <th>Default Value (D7 to D0)</th> </tr> </thead> <tbody> <tr> <td>Power On Sequence</td> <td>00h</td> </tr> <tr> <td>S/W Reset</td> <td>00h</td> </tr> <tr> <td>H/W Reset</td> <td>00h</td> </tr> </tbody> </table>												Status	Default Value (D7 to D0)	Power On Sequence	00h	S/W Reset	00h	H/W Reset	00h				
Status	Default Value (D7 to D0)																							
Power On Sequence	00h																							
S/W Reset	00h																							
H/W Reset	00h																							

12.3.2 Command 2 BK0 Function

12.3.2.1 PVGAMCTRL (B0h/B000h): Positive Voltage Gamma Control

B0H		PVGAMCTRL (BK0)												
Inst / Para	R/W	Address		D15-8	D7	D6	D5	D4	D3	D2	D1	D0		
		MIPI	SPI-16											
PVGAMCTRL	W	B0h	B000h	X	AJ0P[1:0]		--	--	VC0P[3:0]					
	W		B001h	X	AJ1P[1:0]		VC4P[5:0]							
	W		B002h	X	AJ2P[1:0]		VC8P[5:0]							
	W		B003h	X	--	--	--	VC16P[4:0]						
	W		B004h	X	AJ3P[1:0]		--	VC24P[4:0]						
	W		B005h	X	--	--	--	--	VC52P[3:0]					
	W		B006h	X	--	--	VC80P[5:0]							
	W		B007h	X	--	--	--	--	VC108P[3:0]					
	W		B008h	X	--	--	--	--	VC147P[3:0]					
	W		B009h	X	--	--	VC175P[5:0]							
	W		B00Ah	X	--	--	--	--	VC203P[3:0]					
	W		B00Bh	X	AJ4P[1:0]		--	VC231P[4:0]						
	W		B00Ch	X	--	--	--	VC239P[4:0]						
	W		B00Dh	X	AJ5P[1:0]		VC247P[5:0]							
	W		B00Eh	X	AJ6P[1:0]		VC251P[5:0]							
	W		B00Fh	X	AJ7P[1:0]		--	VC255P[4:0]						
Description	Please refer to 11.													
	Default value:													
				Value(hex)			Value(hex)							
		VC0P[3:0]		00H		VC239P[4:0]	00H							
		VC4P[5:0]		00H		VC247P[5:0]	00H							
		VC8P[5:0]		00H		VC251P[5:0]	00H							
		VC16P[4:0]		00H		VC255P[4:0]	00H							
		VC24P[4:0]		00H		AJ0P[1:0]	00H							
		VC52P[3:0]		00H		AJ1P[1:0]	00H							
		VC80P[5:0]		00H		AJ2P[1:0]	00H							
		VC108P[3:0]		00H		AJ3P[1:0]	00H							
		VC147P[3:0]		00H		AJ4P[1:0]	00H							
		VC175P[5:0]		00H		AJ5P[1:0]	00H							
		VC203P[3:0]		00H		AJ6P[1:0]	00H							
	VC231P[4:0]		00H		AJ7P[1:0]	00H								
Restriction	--													

Register availability	<table border="1"> <thead> <tr> <th>Status</th> <th>Availability</th> </tr> </thead> <tbody> <tr> <td>Normal Mode On, Idle Mode Off, Sleep Out</td> <td>Yes</td> </tr> <tr> <td>Normal Mode On, Idle Mode On, Sleep Out</td> <td>Yes</td> </tr> <tr> <td>Partial Mode On, Idle Mode Off, Sleep Out</td> <td>Yes</td> </tr> <tr> <td>Partial Mode On, Idle Mode On, Sleep Out</td> <td>Yes</td> </tr> <tr> <td>Sleep In</td> <td>Yes</td> </tr> </tbody> </table>		Status	Availability	Normal Mode On, Idle Mode Off, Sleep Out	Yes	Normal Mode On, Idle Mode On, Sleep Out	Yes	Partial Mode On, Idle Mode Off, Sleep Out	Yes	Partial Mode On, Idle Mode On, Sleep Out	Yes	Sleep In	Yes
	Status	Availability												
	Normal Mode On, Idle Mode Off, Sleep Out	Yes												
	Normal Mode On, Idle Mode On, Sleep Out	Yes												
	Partial Mode On, Idle Mode Off, Sleep Out	Yes												
	Partial Mode On, Idle Mode On, Sleep Out	Yes												
Sleep In	Yes													
Default	<table border="1"> <thead> <tr> <th>Status</th> <th>Default Value (D7 to D0)</th> </tr> </thead> <tbody> <tr> <td>Power On Sequence</td> <td>All "0"</td> </tr> <tr> <td>S/W Reset</td> <td>All "0"</td> </tr> <tr> <td>H/W Reset</td> <td>All "0"</td> </tr> </tbody> </table>		Status	Default Value (D7 to D0)	Power On Sequence	All "0"	S/W Reset	All "0"	H/W Reset	All "0"				
	Status	Default Value (D7 to D0)												
	Power On Sequence	All "0"												
	S/W Reset	All "0"												
H/W Reset	All "0"													

12.3.2.2 NVGAMCTRL (B1h/B100h): Negative Voltage Gamma Control

B1H		NVGAMCTRL (BK0)												
Inst / Para	R/W	Address		D15-8	D7	D6	D5	D4	D3	D2	D1	D0		
		MIPI	SPI-16											
NVGAMCTRL	W	B0h	B100h	X	AJ0N[1:0]		--	--	VC0N[3:0]					
	W		B101h	X	AJ1N[1:0]		VC8N[5:0]							
	W		B102h	X	AJ2N[1:0]		VC8N[5:0]							
	W		B103h	X	--	--	--	VC16N[4:0]						
	W		B104h	X	AJ3N[1:0]		--	VC24N[4:0]						
	W		B105h	X	--	--	--	--	VC52N[3:0]					
	W		B106h	X	--	--	VC80N[5:0]							
	W		B107h	X	--	--	--	--	VC108N[3:0]					
	W		B108h	X	--	--	--	--	VC147N[3:0]					
	W		B109h	X	--	--	VC175N[5:0]							
	W		B10Ah	X	--	--	--	--	VC203N[3:0]					
	W		B10Bh	X	AJ4N[1:0]		--	VC231N[4:0]						
	W		B10Ch	X	--	--	--	VC239N[4:0]						
	W		B10Dh	X	AJ5N[1:0]		VC247N[5:0]							
	W		B10Eh	X	AJ6N[1:0]		VC251N[5:0]							
	W		B10Fh	X	AJ7N[1:0]		--	VC255N[4:0]						
Description	Please refer to 11.													
	Default value:													
				Value(hex)			Value(hex)							
		VC0N[3:0]		00H		VC239N[4:0]		00H						
		VC4N[5:0]		00H		VC247N[5:0]		00H						
		VC8N[5:0]		00H		VC251N[5:0]		00H						
		VC16N[4:0]		00H		VC255N[4:0]		00H						
		VC24N[4:0]		00H		AJ0N[1:0]		00H						
		VC52N[3:0]		00H		AJ1N[1:0]		00H						
		VC80N[5:0]		00H		AJ2N[1:0]		00H						
		VC108N[3:0]		00H		AJ3N[1:0]		00H						
		VC147N[3:0]		00H		AJ4N[1:0]		00H						
		VC175N[5:0]		00H		AJ5N[1:0]		00H						
	VC203N[3:0]		00H		AJ6N[1:0]		00H							
	VC231N[4:0]		00H		AJ7N[1:0]		00H							
Restriction	--													

Register availability	<table border="1"> <thead> <tr> <th>Status</th> <th>Availability</th> </tr> </thead> <tbody> <tr> <td>Normal Mode On, Idle Mode Off, Sleep Out</td> <td>Yes</td> </tr> <tr> <td>Normal Mode On, Idle Mode On, Sleep Out</td> <td>Yes</td> </tr> <tr> <td>Partial Mode On, Idle Mode Off, Sleep Out</td> <td>Yes</td> </tr> <tr> <td>Partial Mode On, Idle Mode On, Sleep Out</td> <td>Yes</td> </tr> <tr> <td>Sleep In</td> <td>Yes</td> </tr> </tbody> </table>		Status	Availability	Normal Mode On, Idle Mode Off, Sleep Out	Yes	Normal Mode On, Idle Mode On, Sleep Out	Yes	Partial Mode On, Idle Mode Off, Sleep Out	Yes	Partial Mode On, Idle Mode On, Sleep Out	Yes	Sleep In	Yes
	Status	Availability												
	Normal Mode On, Idle Mode Off, Sleep Out	Yes												
	Normal Mode On, Idle Mode On, Sleep Out	Yes												
	Partial Mode On, Idle Mode Off, Sleep Out	Yes												
	Partial Mode On, Idle Mode On, Sleep Out	Yes												
Sleep In	Yes													
Default	<table border="1"> <thead> <tr> <th>Status</th> <th>Default Value (D7 to D0)</th> </tr> </thead> <tbody> <tr> <td>Power On Sequence</td> <td>All "0"</td> </tr> <tr> <td>S/W Reset</td> <td>All "0"</td> </tr> <tr> <td>H/W Reset</td> <td>All "0"</td> </tr> </tbody> </table>		Status	Default Value (D7 to D0)	Power On Sequence	All "0"	S/W Reset	All "0"	H/W Reset	All "0"				
	Status	Default Value (D7 to D0)												
	Power On Sequence	All "0"												
	S/W Reset	All "0"												
H/W Reset	All "0"													

12.3.2.3 DGMEN (B8h/B800h): Digital Gamma Enable

B8H	DGMEN (BK0)																							
Inst / Para	R/W	Address		D15-8	D7	D6	D5	D4	D3	D2	D1	D0												
		MIPI	SPI-16																					
DGMEN	W	B8h	B800h	X	0	0	0	DGM_ON	0	0	0	0												
Description	<p>DGM_ON: Digital Gamma Enable</p> <p>DGM_ON="0", disable this function.</p> <p>DGM_ON="1", enable this function.</p>																							
Restriction	--																							
Register availability	<table border="1"> <thead> <tr> <th>Status</th> <th>Availability</th> </tr> </thead> <tbody> <tr> <td>Normal Mode On, Idle Mode Off, Sleep Out</td> <td>Yes</td> </tr> <tr> <td>Normal Mode On, Idle Mode On, Sleep Out</td> <td>Yes</td> </tr> <tr> <td>Partial Mode On, Idle Mode Off, Sleep Out</td> <td>Yes</td> </tr> <tr> <td>Partial Mode On, Idle Mode On, Sleep Out</td> <td>Yes</td> </tr> <tr> <td>Sleep In</td> <td>Yes</td> </tr> </tbody> </table>												Status	Availability	Normal Mode On, Idle Mode Off, Sleep Out	Yes	Normal Mode On, Idle Mode On, Sleep Out	Yes	Partial Mode On, Idle Mode Off, Sleep Out	Yes	Partial Mode On, Idle Mode On, Sleep Out	Yes	Sleep In	Yes
Status	Availability																							
Normal Mode On, Idle Mode Off, Sleep Out	Yes																							
Normal Mode On, Idle Mode On, Sleep Out	Yes																							
Partial Mode On, Idle Mode Off, Sleep Out	Yes																							
Partial Mode On, Idle Mode On, Sleep Out	Yes																							
Sleep In	Yes																							
Default	<table border="1"> <thead> <tr> <th>Status</th> <th>Default Value (D7 to D0)</th> </tr> </thead> <tbody> <tr> <td>Power On Sequence</td> <td>00h</td> </tr> <tr> <td>S/W Reset</td> <td>00h</td> </tr> <tr> <td>H/W Reset</td> <td>00h</td> </tr> </tbody> </table>												Status	Default Value (D7 to D0)	Power On Sequence	00h	S/W Reset	00h	H/W Reset	00h				
Status	Default Value (D7 to D0)																							
Power On Sequence	00h																							
S/W Reset	00h																							
H/W Reset	00h																							

12.3.2.4 DGMLUTR (B9h/B900h): Digital Gamma Look-up Table for Red

B9H	DGMLUTR (BK0)																							
Inst / Para	R/W	Address		D15-8	D7	D6	D5	D4	D3	D2	D1	D0												
		MIPI	SPI-16																					
DGMLUTB	W	B9h	B900h	X	P0[7:0]																			
	W		B901h	X	--	--	--	--	--	--	--	P0[9:8]												
	W		B902h	X	--	--	--	--	--	--	--	P4[1:0]												
	W		B903h	X	--	--	--	--	--	--	--	--	--											
	W		B904h	X	P8[7:0]																			
	W		B905h	X	--	--	--	--	--	--	--	--	P8[9:8]											
	W		B906h	X	--	--	--	--	--	--	--	--	P12[1:0]											
	W		B907h	X	--	--	--	--	--	--	--	--	--											
	W		:	X	:																			
	W		:	X	:																			
	W		B97Ch	X	P248[7:0]																			
	W		B97Dh	X	--	--	--	--	--	--	--	--	P248[9:8]											
	W		B97Eh	X	--	--	--	--	--	--	--	--	P252[1:0]											
	W		B97Fh	X	--	--	--	--	--	--	--	--	--											
	W		B980h	X	P255[7:0]																			
	W		B981h	X	--	--	--	--	--	--	--	--	P255[9:8]											
Description	Digital Gamma Look-up Table for Red																							
Restriction	--																							
Register availability	<table border="1"> <thead> <tr> <th>Status</th> <th>Availability</th> </tr> </thead> <tbody> <tr> <td>Normal Mode On, Idle Mode Off, Sleep Out</td> <td>Yes</td> </tr> <tr> <td>Normal Mode On, Idle Mode On, Sleep Out</td> <td>Yes</td> </tr> <tr> <td>Partial Mode On, Idle Mode Off, Sleep Out</td> <td>Yes</td> </tr> <tr> <td>Partial Mode On, Idle Mode On, Sleep Out</td> <td>Yes</td> </tr> <tr> <td>Sleep In</td> <td>Yes</td> </tr> </tbody> </table>												Status	Availability	Normal Mode On, Idle Mode Off, Sleep Out	Yes	Normal Mode On, Idle Mode On, Sleep Out	Yes	Partial Mode On, Idle Mode Off, Sleep Out	Yes	Partial Mode On, Idle Mode On, Sleep Out	Yes	Sleep In	Yes
Status	Availability																							
Normal Mode On, Idle Mode Off, Sleep Out	Yes																							
Normal Mode On, Idle Mode On, Sleep Out	Yes																							
Partial Mode On, Idle Mode Off, Sleep Out	Yes																							
Partial Mode On, Idle Mode On, Sleep Out	Yes																							
Sleep In	Yes																							
Default	<table border="1"> <thead> <tr> <th>Status</th> <th>Default Value (D7 to D0)</th> </tr> </thead> <tbody> <tr> <td>Power On Sequence</td> <td>All "0"</td> </tr> <tr> <td>S/W Reset</td> <td>All "0"</td> </tr> <tr> <td>H/W Reset</td> <td>All "0"</td> </tr> </tbody> </table>												Status	Default Value (D7 to D0)	Power On Sequence	All "0"	S/W Reset	All "0"	H/W Reset	All "0"				
Status	Default Value (D7 to D0)																							
Power On Sequence	All "0"																							
S/W Reset	All "0"																							
H/W Reset	All "0"																							

12.3.2.5 DGMLUTB (BAh/BA00h): Digital Gamma Look-up Table for Blue

BAH	DGMLUTB (BK0)																							
Inst / Para	R/W	Address		D15-8	D7	D6	D5	D4	D3	D2	D1	D0												
		MIPI	SPI-16																					
DGMLUTB	W	BAh	BA00h	X	P0[7:0]																			
	W		BA01h	X	--	--	--	--	--	--	--	P0[9:8]												
	W		BA02h	X	--	--	--	--	--	--	--	P4[1:0]												
	W		BA03h	X	--	--	--	--	--	--	--	--	--											
	W		BA04h	X	P8[7:0]																			
	W		BA05h	X	--	--	--	--	--	--	--	--	P8[9:8]											
	W		BA06h	X	--	--	--	--	--	--	--	--	P12[1:0]											
	W		BA07h	X	--	--	--	--	--	--	--	--	--											
	W		:	X	:																			
	W		:	X	:																			
	W		BA7Ch	X	P248[7:0]																			
	W		BA7Dh	X	--	--	--	--	--	--	--	--	P248[9:8]											
	W		BA7Eh	X	--	--	--	--	--	--	--	--	P252[1:0]											
	W		BA7Fh	X	--	--	--	--	--	--	--	--	--											
	W		BA80h	X	P255[7:0]																			
	W		BA81h	X	--	--	--	--	--	--	--	--	P255[9:8]											
Description	Digital Gamma Look-up Table for Blue																							
Restriction	--																							
Register availability	<table border="1"> <thead> <tr> <th>Status</th> <th>Availability</th> </tr> </thead> <tbody> <tr> <td>Normal Mode On, Idle Mode Off, Sleep Out</td> <td>Yes</td> </tr> <tr> <td>Normal Mode On, Idle Mode On, Sleep Out</td> <td>Yes</td> </tr> <tr> <td>Partial Mode On, Idle Mode Off, Sleep Out</td> <td>Yes</td> </tr> <tr> <td>Partial Mode On, Idle Mode On, Sleep Out</td> <td>Yes</td> </tr> <tr> <td>Sleep In</td> <td>Yes</td> </tr> </tbody> </table>												Status	Availability	Normal Mode On, Idle Mode Off, Sleep Out	Yes	Normal Mode On, Idle Mode On, Sleep Out	Yes	Partial Mode On, Idle Mode Off, Sleep Out	Yes	Partial Mode On, Idle Mode On, Sleep Out	Yes	Sleep In	Yes
Status	Availability																							
Normal Mode On, Idle Mode Off, Sleep Out	Yes																							
Normal Mode On, Idle Mode On, Sleep Out	Yes																							
Partial Mode On, Idle Mode Off, Sleep Out	Yes																							
Partial Mode On, Idle Mode On, Sleep Out	Yes																							
Sleep In	Yes																							
Default	<table border="1"> <thead> <tr> <th>Status</th> <th>Default Value (D7 to D0)</th> </tr> </thead> <tbody> <tr> <td>Power On Sequence</td> <td>All "0"</td> </tr> <tr> <td>S/W Reset</td> <td>All "0"</td> </tr> <tr> <td>H/W Reset</td> <td>All "0"</td> </tr> </tbody> </table>												Status	Default Value (D7 to D0)	Power On Sequence	All "0"	S/W Reset	All "0"	H/W Reset	All "0"				
Status	Default Value (D7 to D0)																							
Power On Sequence	All "0"																							
S/W Reset	All "0"																							
H/W Reset	All "0"																							

12.3.2.6 PWM CLK SEL(BCh/BC00h):PWM CLK select

BCH	PWM CLK SEL (BK0)																							
Inst / Para	R/W	Address		D15-8	D7	D6	D5	D4	D3	D2	D1	D0												
		MIPI	SPI-16																					
	W		BC00h	X	0	0	0	1	1	PWM CLK SEL[2:0]														
Description	PWM CLK SEL[2:0] : PWM CLK select.																							
				Value(hex)																				
	PWM CLK SEL[2:0]			00H	Clk/1																			
	PWM CLK SEL[2:0]			01H	Clk/2																			
	PWM CLK SEL[2:0]			02H	Clk/4																			
	PWM CLK SEL[2:0]			03H	Clk/8																			
	PWM CLK SEL[2:0]			04H	Clk/16																			
	PWM CLK SEL[2:0]			05H	Clk/32																			
	PWM CLK SEL[2:0]			06H	Clk/64																			
	PWM CLK SEL[2:0]			07H	Clk/128																			
Restriction	--																							
Register availability	<table border="1"> <thead> <tr> <th>Status</th> <th>Availability</th> </tr> </thead> <tbody> <tr> <td>Normal Mode On, Idle Mode Off, Sleep Out</td> <td>Yes</td> </tr> <tr> <td>Normal Mode On, Idle Mode On, Sleep Out</td> <td>Yes</td> </tr> <tr> <td>Partial Mode On, Idle Mode Off, Sleep Out</td> <td>Yes</td> </tr> <tr> <td>Partial Mode On, Idle Mode On, Sleep Out</td> <td>Yes</td> </tr> <tr> <td>Sleep In</td> <td>Yes</td> </tr> </tbody> </table>												Status	Availability	Normal Mode On, Idle Mode Off, Sleep Out	Yes	Normal Mode On, Idle Mode On, Sleep Out	Yes	Partial Mode On, Idle Mode Off, Sleep Out	Yes	Partial Mode On, Idle Mode On, Sleep Out	Yes	Sleep In	Yes
	Status	Availability																						
	Normal Mode On, Idle Mode Off, Sleep Out	Yes																						
	Normal Mode On, Idle Mode On, Sleep Out	Yes																						
	Partial Mode On, Idle Mode Off, Sleep Out	Yes																						
	Partial Mode On, Idle Mode On, Sleep Out	Yes																						
Sleep In	Yes																							
Default	<table border="1"> <thead> <tr> <th>Status</th> <th>Default Value (D7 to D0)</th> </tr> </thead> <tbody> <tr> <td>Power On Sequence</td> <td>1fh</td> </tr> <tr> <td>S/W Reset</td> <td>1fh</td> </tr> <tr> <td>H/W Reset</td> <td>1fh</td> </tr> </tbody> </table>												Status	Default Value (D7 to D0)	Power On Sequence	1fh	S/W Reset	1fh	H/W Reset	1fh				
	Status	Default Value (D7 to D0)																						
	Power On Sequence	1fh																						
	S/W Reset	1fh																						
H/W Reset	1fh																							

12.3.2.7 LNESET (C0h/C000h): Display Line Setting

C0H		LNESET (BK0)																						
Inst / Para	R/W	Address		D15-8	D7	D6	D5	D4	D3	D2	D1	D0												
		MIPI	SPI-16																					
LNESET	W	C0h	C000h	X	LDE_EN	Line[6:0]																		
	W		C001h	X	--	--	--	--	--	--	Line_delta[1:0]													
Description	<p>Line[6:0] : display line setting</p> <p>LDE_EN : add extra-line enable</p> <p>LDE_EN="0",no add delta line , NL=(Line[6:0]+1)*8</p> <p>EX:(C0:0x6b,0x00)→((0x6b+1) x 8)=864;</p> <p>LDE_EN="1",add delta line , NL=(Line[6:0]+1)*8+ Line_delta[1:0]*2</p> <p>EX: (C0:0xe9,0x03)→((0x69+1) x8) + (3x2)=854</p> <p>SCNL= NL+VBP+VFP</p>																							
Restriction	--																							
Register availability	<table border="1"> <thead> <tr> <th>Status</th> <th>Availability</th> </tr> </thead> <tbody> <tr> <td>Normal Mode On, Idle Mode Off, Sleep Out</td> <td>Yes</td> </tr> <tr> <td>Normal Mode On, Idle Mode On, Sleep Out</td> <td>Yes</td> </tr> <tr> <td>Partial Mode On, Idle Mode Off, Sleep Out</td> <td>Yes</td> </tr> <tr> <td>Partial Mode On, Idle Mode On, Sleep Out</td> <td>Yes</td> </tr> <tr> <td>Sleep In</td> <td>Yes</td> </tr> </tbody> </table>												Status	Availability	Normal Mode On, Idle Mode Off, Sleep Out	Yes	Normal Mode On, Idle Mode On, Sleep Out	Yes	Partial Mode On, Idle Mode Off, Sleep Out	Yes	Partial Mode On, Idle Mode On, Sleep Out	Yes	Sleep In	Yes
Status	Availability																							
Normal Mode On, Idle Mode Off, Sleep Out	Yes																							
Normal Mode On, Idle Mode On, Sleep Out	Yes																							
Partial Mode On, Idle Mode Off, Sleep Out	Yes																							
Partial Mode On, Idle Mode On, Sleep Out	Yes																							
Sleep In	Yes																							
Default	<table border="1"> <thead> <tr> <th>Status</th> <th>Default Value (D7 to D0)</th> </tr> </thead> <tbody> <tr> <td>Power On Sequence</td> <td>6bh/00h</td> </tr> <tr> <td>S/W Reset</td> <td>6bh/00h</td> </tr> <tr> <td>H/W Reset</td> <td>6bh/00h</td> </tr> </tbody> </table>												Status	Default Value (D7 to D0)	Power On Sequence	6bh/00h	S/W Reset	6bh/00h	H/W Reset	6bh/00h				
Status	Default Value (D7 to D0)																							
Power On Sequence	6bh/00h																							
S/W Reset	6bh/00h																							
H/W Reset	6bh/00h																							

12.3.2.8 PORCTRL (C1h/C100h):Porch Control

C1H	PORCTRL (BK0)																						
Inst / Para	R/W	Address		D15-8	D7	D6	D5	D4	D3	D2	D1	D0											
		MIPI	SPI-16																				
PORCTRL	W	C1h	C100h	X	VBP[7:0]																		
	W		C101h	X	VFP[7:0]																		
Description	VBP[7:0]: Back-Porch Vertical line setting for display. VFP[7:0]: Front-Porch Vertical line setting for display.																						
Restriction	--																						
Register availability	<table border="1"> <thead> <tr> <th>Status</th> <th>Availability</th> </tr> </thead> <tbody> <tr> <td>Normal Mode On, Idle Mode Off, Sleep Out</td> <td>Yes</td> </tr> <tr> <td>Normal Mode On, Idle Mode On, Sleep Out</td> <td>Yes</td> </tr> <tr> <td>Partial Mode On, Idle Mode Off, Sleep Out</td> <td>Yes</td> </tr> <tr> <td>Partial Mode On, Idle Mode On, Sleep Out</td> <td>Yes</td> </tr> <tr> <td>Sleep In</td> <td>Yes</td> </tr> </tbody> </table>											Status	Availability	Normal Mode On, Idle Mode Off, Sleep Out	Yes	Normal Mode On, Idle Mode On, Sleep Out	Yes	Partial Mode On, Idle Mode Off, Sleep Out	Yes	Partial Mode On, Idle Mode On, Sleep Out	Yes	Sleep In	Yes
	Status	Availability																					
	Normal Mode On, Idle Mode Off, Sleep Out	Yes																					
	Normal Mode On, Idle Mode On, Sleep Out	Yes																					
	Partial Mode On, Idle Mode Off, Sleep Out	Yes																					
	Partial Mode On, Idle Mode On, Sleep Out	Yes																					
Sleep In	Yes																						
Default	<table border="1"> <thead> <tr> <th>Status</th> <th>Default Value (D7 to D0)</th> </tr> </thead> <tbody> <tr> <td>Power On Sequence</td> <td>04h/02h</td> </tr> <tr> <td>S/W Reset</td> <td>04h/02h</td> </tr> <tr> <td>H/W Reset</td> <td>04h/02h</td> </tr> </tbody> </table>											Status	Default Value (D7 to D0)	Power On Sequence	04h/02h	S/W Reset	04h/02h	H/W Reset	04h/02h				
	Status	Default Value (D7 to D0)																					
	Power On Sequence	04h/02h																					
	S/W Reset	04h/02h																					
H/W Reset	04h/02h																						

12.3.2.9 INVSET (C2h/C200h):Inversion selection & Frame Rate Control

C2H	INVSET (BK0)											
Inst / Para	R/W	Address		D15-8	D7	D6	D5	D4	D3	D2	D1	D0
		MIPI	SPI-16									
INVSET	W	C2h	C200h	X	0	0	1	1	0	NLINV[2:0]		
	W		C201h	X	--	--	--	RTNI[4:0]				
Description	NLINV[2:0]: Inversion Selection											
	NLINV[2:0]		Inversion									
	0		1 Dot									
	1		2 Dot									
		7		Column								
RTNI[4:0]: minimum number of pclk in each line PCLK=512+(RTNI[4:0]x16)												
Restriction	--											
Register availability	Status					Availability						
	Normal Mode On, Idle Mode Off, Sleep Out					Yes						
	Normal Mode On, Idle Mode On, Sleep Out					Yes						
	Partial Mode On, Idle Mode Off, Sleep Out					Yes						
	Partial Mode On, Idle Mode On, Sleep Out					Yes						
	Sleep In					Yes						
Default	Status					Default Value (D7 to D0)						
	Power On Sequence					10h/00h						
	S/W Reset					10h/00h						
	H/W Reset					10h/00h						

12.3.2.10 RGBCTRL (C3h/C300h):RGB control

C3H	RGBCTRL (BK0)																							
Inst / Para	R/W	Address		D15-8	D7	D6	D5	D4	D3	D2	D1	D0												
		MIPI	SPI-16																					
RGBCTRL	W	C3h	C300h	X	DE/HV	--	--	--	VSP	HSP	DP	EP												
	W		C301h	X	HBP_HVRGB[7:0]																			
	W		C302h	X	VBP_HVRGB[7:0]																			
Description	<p>DE/HV:RGB Mode selection DE/HV="0",RGB DE mode. DE/HV="1",RGB HV mode.</p> <p>VSP : Sets the signal polarity of the VSYNC pin. VSP="0", Low active VSP="1", High active</p> <p>HSP : Sets the signal polarity of the HSYNC pin. HSP="0", Low active HSP="1", High active</p> <p>DP : Sets the signal polarity of the DOTCLK pin. DP = "0" The data is input on the positive edge of DOTCLK DP = "1" The data is input on the negative edge of DOTCLK</p> <p>EP : Sets the signal polarity of the ENABLE pin. EP = "0" The data DB23-0 is written when ENABLE = "1". Disable data write operation when ENABLE = "0". EP = "1" The data DB23-0 is written when ENABLE = "0". Disable data write operation when ENABLE = "1".</p> <p>VBP_HVRGB[7:0]: RGB interface Vsync back porch setting for HV mode. Minimum setting is 0x02. HBP_HVRGB[7:0]: RGB interface Hsync back porch setting for HV mode.</p>																							
Restriction	--																							
Register availability	<table border="1"> <thead> <tr> <th>Status</th> <th>Availability</th> </tr> </thead> <tbody> <tr> <td>Normal Mode On, Idle Mode Off, Sleep Out</td> <td>Yes</td> </tr> <tr> <td>Normal Mode On, Idle Mode On, Sleep Out</td> <td>Yes</td> </tr> <tr> <td>Partial Mode On, Idle Mode Off, Sleep Out</td> <td>Yes</td> </tr> <tr> <td>Partial Mode On, Idle Mode On, Sleep Out</td> <td>Yes</td> </tr> <tr> <td>Sleep In</td> <td>Yes</td> </tr> </tbody> </table>												Status	Availability	Normal Mode On, Idle Mode Off, Sleep Out	Yes	Normal Mode On, Idle Mode On, Sleep Out	Yes	Partial Mode On, Idle Mode Off, Sleep Out	Yes	Partial Mode On, Idle Mode On, Sleep Out	Yes	Sleep In	Yes
Status	Availability																							
Normal Mode On, Idle Mode Off, Sleep Out	Yes																							
Normal Mode On, Idle Mode On, Sleep Out	Yes																							
Partial Mode On, Idle Mode Off, Sleep Out	Yes																							
Partial Mode On, Idle Mode On, Sleep Out	Yes																							
Sleep In	Yes																							
Default	<table border="1"> <thead> <tr> <th>Status</th> <th>Default Value (D7 to D0)</th> </tr> </thead> <tbody> <tr> <td>Power On Sequence</td> <td>00h/10h/08h</td> </tr> <tr> <td>S/W Reset</td> <td>00h/10h/08h</td> </tr> <tr> <td>H/W Reset</td> <td>00h/10h/08h</td> </tr> </tbody> </table>												Status	Default Value (D7 to D0)	Power On Sequence	00h/10h/08h	S/W Reset	00h/10h/08h	H/W Reset	00h/10h/08h				
Status	Default Value (D7 to D0)																							
Power On Sequence	00h/10h/08h																							
S/W Reset	00h/10h/08h																							
H/W Reset	00h/10h/08h																							

12.3.2.11 PARCTRL (C5h/C500h):Partial Mode Control

C5H	PARCTRL (BK0)																							
Inst / Para	R/W	Address		D15-8	D7	D6	D5	D4	D3	D2	D1	D0												
		MIPI	SPI-16																					
PARCTRL	W	C5h	C500h	X	PTSA[7:0]																			
	W		C501h	X	--	--	--	--	--	--	PTSA[9:8]													
	W		C502h	X	PTEA[7:0]																			
	W		C503	X	-	--	--	--	--	--	PTEA[9:8]													
Description	PTSA[9:0]: Partial display start line address PTEA[9:0]: Partial display end line address																							
Restriction	--																							
Register availability	<table border="1"> <thead> <tr> <th>Status</th> <th>Availability</th> </tr> </thead> <tbody> <tr> <td>Normal Mode On, Idle Mode Off, Sleep Out</td> <td>Yes</td> </tr> <tr> <td>Normal Mode On, Idle Mode On, Sleep Out</td> <td>Yes</td> </tr> <tr> <td>Partial Mode On, Idle Mode Off, Sleep Out</td> <td>Yes</td> </tr> <tr> <td>Partial Mode On, Idle Mode On, Sleep Out</td> <td>Yes</td> </tr> <tr> <td>Sleep In</td> <td>Yes</td> </tr> </tbody> </table>												Status	Availability	Normal Mode On, Idle Mode Off, Sleep Out	Yes	Normal Mode On, Idle Mode On, Sleep Out	Yes	Partial Mode On, Idle Mode Off, Sleep Out	Yes	Partial Mode On, Idle Mode On, Sleep Out	Yes	Sleep In	Yes
Status	Availability																							
Normal Mode On, Idle Mode Off, Sleep Out	Yes																							
Normal Mode On, Idle Mode On, Sleep Out	Yes																							
Partial Mode On, Idle Mode Off, Sleep Out	Yes																							
Partial Mode On, Idle Mode On, Sleep Out	Yes																							
Sleep In	Yes																							
Default	<table border="1"> <thead> <tr> <th>Status</th> <th>Default Value (D7 to D0)</th> </tr> </thead> <tbody> <tr> <td>Power On Sequence</td> <td>00h/00h/5fh/03h</td> </tr> <tr> <td>S/W Reset</td> <td>00h/00h/5fh/03h</td> </tr> <tr> <td>H/W Reset</td> <td>00h/00h/5fh/03h</td> </tr> </tbody> </table>												Status	Default Value (D7 to D0)	Power On Sequence	00h/00h/5fh/03h	S/W Reset	00h/00h/5fh/03h	H/W Reset	00h/00h/5fh/03h				
Status	Default Value (D7 to D0)																							
Power On Sequence	00h/00h/5fh/03h																							
S/W Reset	00h/00h/5fh/03h																							
H/W Reset	00h/00h/5fh/03h																							

12.3.2.12 SDIR (C7h/C700): X-direction Control

C7H	PDOSET (BK0)																							
Inst / Para	R/W	Address		D15-8	D7	D6	D5	D4	D3	D2	D1	D0												
		MIPI	SPI-16																					
PDOSET	W	C7h	C700h	X	--	--	--	--	--	SS	--	--												
Description	SS: To selection x-direction. SS="0",source form 0 to 479 SS="1",source form 479 to 0																							
Restriction	--																							
Register availability	<table border="1"> <thead> <tr> <th>Status</th> <th>Availability</th> </tr> </thead> <tbody> <tr> <td>Normal Mode On, Idle Mode Off, Sleep Out</td> <td>Yes</td> </tr> <tr> <td>Normal Mode On, Idle Mode On, Sleep Out</td> <td>Yes</td> </tr> <tr> <td>Partial Mode On, Idle Mode Off, Sleep Out</td> <td>Yes</td> </tr> <tr> <td>Partial Mode On, Idle Mode On, Sleep Out</td> <td>Yes</td> </tr> <tr> <td>Sleep In</td> <td>Yes</td> </tr> </tbody> </table>												Status	Availability	Normal Mode On, Idle Mode Off, Sleep Out	Yes	Normal Mode On, Idle Mode On, Sleep Out	Yes	Partial Mode On, Idle Mode Off, Sleep Out	Yes	Partial Mode On, Idle Mode On, Sleep Out	Yes	Sleep In	Yes
Status	Availability																							
Normal Mode On, Idle Mode Off, Sleep Out	Yes																							
Normal Mode On, Idle Mode On, Sleep Out	Yes																							
Partial Mode On, Idle Mode Off, Sleep Out	Yes																							
Partial Mode On, Idle Mode On, Sleep Out	Yes																							
Sleep In	Yes																							
Default	<table border="1"> <thead> <tr> <th>Status</th> <th>Default Value (D7 to D0)</th> </tr> </thead> <tbody> <tr> <td>Power On Sequence</td> <td>00h</td> </tr> <tr> <td>S/W Reset</td> <td>00h</td> </tr> <tr> <td>H/W Reset</td> <td>00h</td> </tr> </tbody> </table>												Status	Default Value (D7 to D0)	Power On Sequence	00h	S/W Reset	00h	H/W Reset	00h				
Status	Default Value (D7 to D0)																							
Power On Sequence	00h																							
S/W Reset	00h																							
H/W Reset	00h																							

12.3.2.13 PDOSET (C8h/C800h):Pseudo-Dot inversion diving setting

C8H	PDOSET (BK0)																							
Inst / Para	R/W	Address		D15-8	D7	D6	D5	D4	D3	D2	D1	D0												
		MIPI	SPI-16																					
PDOSET	W	C8h	C800h	X	Z_EN	Z_SDM1	Z_Gltor	--	--	--	--	--												
Description	<p>Z_EN:To enable pseudo-dot inversion driving. Z_EN="0",enable PDOSET setting Z_EN="1",disable PDOSET setting</p> <p>Z_SDM1: SDUM_1 or SDUM_2 enable control (for Z-inv only) Z_SDM1="0",SDUM_2 is enable Z_SMDL="1",SDUM_1 is enable</p> <p>Z_Gltor: upper-left pixel,source drive to R-Side Z_Gltor="0",L-side first Z_Gltor="1",R-side first</p>																							
Restriction	--																							
Register availability	<table border="1"> <thead> <tr> <th>Status</th> <th>Availability</th> </tr> </thead> <tbody> <tr> <td>Normal Mode On, Idle Mode Off, Sleep Out</td> <td>Yes</td> </tr> <tr> <td>Normal Mode On, Idle Mode On, Sleep Out</td> <td>Yes</td> </tr> <tr> <td>Partial Mode On, Idle Mode Off, Sleep Out</td> <td>Yes</td> </tr> <tr> <td>Partial Mode On, Idle Mode On, Sleep Out</td> <td>Yes</td> </tr> <tr> <td>Sleep In</td> <td>Yes</td> </tr> </tbody> </table>												Status	Availability	Normal Mode On, Idle Mode Off, Sleep Out	Yes	Normal Mode On, Idle Mode On, Sleep Out	Yes	Partial Mode On, Idle Mode Off, Sleep Out	Yes	Partial Mode On, Idle Mode On, Sleep Out	Yes	Sleep In	Yes
Status	Availability																							
Normal Mode On, Idle Mode Off, Sleep Out	Yes																							
Normal Mode On, Idle Mode On, Sleep Out	Yes																							
Partial Mode On, Idle Mode Off, Sleep Out	Yes																							
Partial Mode On, Idle Mode On, Sleep Out	Yes																							
Sleep In	Yes																							
Default	<table border="1"> <thead> <tr> <th>Status</th> <th>Default Value (D7 to D0)</th> </tr> </thead> <tbody> <tr> <td>Power On Sequence</td> <td>00h</td> </tr> <tr> <td>S/W Reset</td> <td>00h</td> </tr> <tr> <td>H/W Reset</td> <td>00h</td> </tr> </tbody> </table>												Status	Default Value (D7 to D0)	Power On Sequence	00h	S/W Reset	00h	H/W Reset	00h				
Status	Default Value (D7 to D0)																							
Power On Sequence	00h																							
S/W Reset	00h																							
H/W Reset	00h																							

12.3.2.14 COLCTRL (CDh/CD00h):Color Control

CDH	COLCTRL (BK0)																							
Inst / Para	R/W	Address		D15-8	D7	D6	D5	D4	D3	D2	D1	D0												
		MIPI	SPI-16																					
COLCTRL	W	CDh	CD00h	X	--	--	INV_LED PWM	INV_LED_ON	MDT	EPF[2:0]														
Description	<p>INV_LED PWM: LEDPWM polarity control. INV_LED PWM="0", polarity normal. INV_LED PWM="1", polarity reverse.</p> <p>INV_LED_ON: LED_ON polarity control. INV_LED_ON="0", polarity normal. INV_LED_ON="1", polarity reverse.</p> <p>MDT: RGB pixel format argument.(for 262K).See Table 17. MDT="0", pixel format argument normal. MDT="1", pixel collect to DB[17:0].</p> <p>EPF[2:0]: end of pixel format (for 65k & 262k mode) 0:copy self MSB 1:copy G MSB 2:copy self LSB 4:FIX 0 5:FIX 1</p>																							
Restriction	--																							
Register availability	<table border="1"> <thead> <tr> <th>Status</th> <th>Availability</th> </tr> </thead> <tbody> <tr> <td>Normal Mode On, Idle Mode Off, Sleep Out</td> <td>Yes</td> </tr> <tr> <td>Normal Mode On, Idle Mode On, Sleep Out</td> <td>Yes</td> </tr> <tr> <td>Partial Mode On, Idle Mode Off, Sleep Out</td> <td>Yes</td> </tr> <tr> <td>Partial Mode On, Idle Mode On, Sleep Out</td> <td>Yes</td> </tr> <tr> <td>Sleep In</td> <td>Yes</td> </tr> </tbody> </table>												Status	Availability	Normal Mode On, Idle Mode Off, Sleep Out	Yes	Normal Mode On, Idle Mode On, Sleep Out	Yes	Partial Mode On, Idle Mode Off, Sleep Out	Yes	Partial Mode On, Idle Mode On, Sleep Out	Yes	Sleep In	Yes
Status	Availability																							
Normal Mode On, Idle Mode Off, Sleep Out	Yes																							
Normal Mode On, Idle Mode On, Sleep Out	Yes																							
Partial Mode On, Idle Mode Off, Sleep Out	Yes																							
Partial Mode On, Idle Mode On, Sleep Out	Yes																							
Sleep In	Yes																							
Default	<table border="1"> <thead> <tr> <th>Status</th> <th>Default Value (D7 to D0)</th> </tr> </thead> <tbody> <tr> <td>Power On Sequence</td> <td>00h</td> </tr> <tr> <td>S/W Reset</td> <td>00h</td> </tr> <tr> <td>H/W Reset</td> <td>00h</td> </tr> </tbody> </table>												Status	Default Value (D7 to D0)	Power On Sequence	00h	S/W Reset	00h	H/W Reset	00h				
Status	Default Value (D7 to D0)																							
Power On Sequence	00h																							
S/W Reset	00h																							
H/W Reset	00h																							

12.3.2.15 SSCTRL (CEh/CE00h):Spread spectrum Control

CEH	SSSCTRL (BK0)																							
Inst / Para	R/W	Address		D15-8	D7	D6	D5	D4	D3	D2	D1	D0												
		MIPI	SPI-16																					
SSCTRL	W	CEh	CE00h	X	DSSE	0	DSSRG[1:0]		0	1	0	0												
Description	<p>DSSE : Digital spread spectrum Enable. DSSE="0", Digital spread spectrum disable. DSSE="1", Digital spread spectrum Enable.</p> <p>DSSRG[1:0]: DSS OSC maximum frequency variation range setting..</p> <table border="1"> <thead> <tr> <th>DSSRG[1:0]</th> <th>Range</th> </tr> </thead> <tbody> <tr> <td>0</td> <td>Disable</td> </tr> <tr> <td>1</td> <td>2.5%</td> </tr> <tr> <td>2</td> <td>5%</td> </tr> <tr> <td>3</td> <td>7.5%</td> </tr> </tbody> </table>												DSSRG[1:0]	Range	0	Disable	1	2.5%	2	5%	3	7.5%		
	DSSRG[1:0]	Range																						
	0	Disable																						
	1	2.5%																						
	2	5%																						
3	7.5%																							
Restriction	--																							
Register availability	<table border="1"> <thead> <tr> <th>Status</th> <th>Availability</th> </tr> </thead> <tbody> <tr> <td>Normal Mode On, Idle Mode Off, Sleep Out</td> <td>Yes</td> </tr> <tr> <td>Normal Mode On, Idle Mode On, Sleep Out</td> <td>Yes</td> </tr> <tr> <td>Partial Mode On, Idle Mode Off, Sleep Out</td> <td>Yes</td> </tr> <tr> <td>Partial Mode On, Idle Mode On, Sleep Out</td> <td>Yes</td> </tr> <tr> <td>Sleep In</td> <td>Yes</td> </tr> </tbody> </table>												Status	Availability	Normal Mode On, Idle Mode Off, Sleep Out	Yes	Normal Mode On, Idle Mode On, Sleep Out	Yes	Partial Mode On, Idle Mode Off, Sleep Out	Yes	Partial Mode On, Idle Mode On, Sleep Out	Yes	Sleep In	Yes
	Status	Availability																						
	Normal Mode On, Idle Mode Off, Sleep Out	Yes																						
	Normal Mode On, Idle Mode On, Sleep Out	Yes																						
	Partial Mode On, Idle Mode Off, Sleep Out	Yes																						
Partial Mode On, Idle Mode On, Sleep Out	Yes																							
Sleep In	Yes																							
Default	<table border="1"> <thead> <tr> <th>Status</th> <th>Default Value (D7 to D0)</th> </tr> </thead> <tbody> <tr> <td>Power On Sequence</td> <td>00h</td> </tr> <tr> <td>S/W Reset</td> <td>00h</td> </tr> <tr> <td>H/W Reset</td> <td>00h</td> </tr> </tbody> </table>												Status	Default Value (D7 to D0)	Power On Sequence	00h	S/W Reset	00h	H/W Reset	00h				
	Status	Default Value (D7 to D0)																						
	Power On Sequence	00h																						
	S/W Reset	00h																						
H/W Reset	00h																							

12.3.2.16 SECTRL (E0h/E000h):Sunlight Readable Enhancement

E0H	SECTRL (BK0)																							
Inst / Para	R/W	Address		D15-8	D7	D6	D5	D4	D3	D2	D1	D0												
		MIPI	SPI-16																					
SECTRL	W	E0h	E000h	X	--	--	--	SRE	SRE_alpha[3:0]															
Description	<p>SRE: Sunlight Readable Enhancement (SRE) enable control. SRE="0", Sunlight Readable Enhancement disable. SRE="1", Sunlight Readable Enhancement enable.</p> <p>SRE_alpha: Sunlight Readable Enhancement (SRE) level selection [00:0F] → [lower : highest]</p>																							
Restriction	--																							
Register availability	<table border="1"> <thead> <tr> <th>Status</th> <th>Availability</th> </tr> </thead> <tbody> <tr> <td>Normal Mode On, Idle Mode Off, Sleep Out</td> <td>Yes</td> </tr> <tr> <td>Normal Mode On, Idle Mode On, Sleep Out</td> <td>Yes</td> </tr> <tr> <td>Partial Mode On, Idle Mode Off, Sleep Out</td> <td>Yes</td> </tr> <tr> <td>Partial Mode On, Idle Mode On, Sleep Out</td> <td>Yes</td> </tr> <tr> <td>Sleep In</td> <td>Yes</td> </tr> </tbody> </table>												Status	Availability	Normal Mode On, Idle Mode Off, Sleep Out	Yes	Normal Mode On, Idle Mode On, Sleep Out	Yes	Partial Mode On, Idle Mode Off, Sleep Out	Yes	Partial Mode On, Idle Mode On, Sleep Out	Yes	Sleep In	Yes
Status	Availability																							
Normal Mode On, Idle Mode Off, Sleep Out	Yes																							
Normal Mode On, Idle Mode On, Sleep Out	Yes																							
Partial Mode On, Idle Mode Off, Sleep Out	Yes																							
Partial Mode On, Idle Mode On, Sleep Out	Yes																							
Sleep In	Yes																							
Default	<table border="1"> <thead> <tr> <th>Status</th> <th>Default Value (D7 to D0)</th> </tr> </thead> <tbody> <tr> <td>Power On Sequence</td> <td>00h</td> </tr> <tr> <td>S/W Reset</td> <td>00h</td> </tr> <tr> <td>H/W Reset</td> <td>00h</td> </tr> </tbody> </table>												Status	Default Value (D7 to D0)	Power On Sequence	00h	S/W Reset	00h	H/W Reset	00h				
Status	Default Value (D7 to D0)																							
Power On Sequence	00h																							
S/W Reset	00h																							
H/W Reset	00h																							

12.3.2.17 NRCTRL (E1h/E100h):Noise Reduce Control

E1H	NRCTRL (BK0)																							
Inst / Para	R/W	Address		D15-8	D7	D6	D5	D4	D3	D2	D1	D0												
		MIPI	SPI-16																					
NRCTRL	W	E1h	E100h	X	--	--	--	NRE			NR_md[1:0]													
Description	<p>NRE: Noise Reduce Function Enable Control. NRE="0", Noise Reduce Function disable. NRE="1", Noise Reduce Function enable. NR_md:Noise Reduce level selection.</p>																							
Restriction	--																							
Register availability	<table border="1"> <thead> <tr> <th>Status</th> <th>Availability</th> </tr> </thead> <tbody> <tr> <td>Normal Mode On, Idle Mode Off, Sleep Out</td> <td>Yes</td> </tr> <tr> <td>Normal Mode On, Idle Mode On, Sleep Out</td> <td>Yes</td> </tr> <tr> <td>Partial Mode On, Idle Mode Off, Sleep Out</td> <td>Yes</td> </tr> <tr> <td>Partial Mode On, Idle Mode On, Sleep Out</td> <td>Yes</td> </tr> <tr> <td>Sleep In</td> <td>Yes</td> </tr> </tbody> </table>												Status	Availability	Normal Mode On, Idle Mode Off, Sleep Out	Yes	Normal Mode On, Idle Mode On, Sleep Out	Yes	Partial Mode On, Idle Mode Off, Sleep Out	Yes	Partial Mode On, Idle Mode On, Sleep Out	Yes	Sleep In	Yes
Status	Availability																							
Normal Mode On, Idle Mode Off, Sleep Out	Yes																							
Normal Mode On, Idle Mode On, Sleep Out	Yes																							
Partial Mode On, Idle Mode Off, Sleep Out	Yes																							
Partial Mode On, Idle Mode On, Sleep Out	Yes																							
Sleep In	Yes																							
Default	<table border="1"> <thead> <tr> <th>Status</th> <th>Default Value (D7 to D0)</th> </tr> </thead> <tbody> <tr> <td>Power On Sequence</td> <td>00h</td> </tr> <tr> <td>S/W Reset</td> <td>00h</td> </tr> <tr> <td>H/W Reset</td> <td>00h</td> </tr> </tbody> </table>												Status	Default Value (D7 to D0)	Power On Sequence	00h	S/W Reset	00h	H/W Reset	00h				
Status	Default Value (D7 to D0)																							
Power On Sequence	00h																							
S/W Reset	00h																							
H/W Reset	00h																							

12.3.2.18 SECTRL (E2h/E200h):Sharpness Control

E2H	SECTRL (BK0)																							
Inst / Para	R/W	Address		D15-8	D7	D6	D5	D4	D3	D2	D1	D0												
		MIPI	SPI-16																					
SECTRL	W	E2h	E200h	X	--	--	--	SE	Y_gain[3:0]															
Description	<p>SE: Sharpness Function Enable Control. SE="0", Sharpness Function disable. SE="1", Sharpness Function enable. Y_gain :Sharpness level Selection.</p>																							
Restriction	--																							
Register availability	<table border="1"> <thead> <tr> <th>Status</th> <th>Availability</th> </tr> </thead> <tbody> <tr> <td>Normal Mode On, Idle Mode Off, Sleep Out</td> <td>Yes</td> </tr> <tr> <td>Normal Mode On, Idle Mode On, Sleep Out</td> <td>Yes</td> </tr> <tr> <td>Partial Mode On, Idle Mode Off, Sleep Out</td> <td>Yes</td> </tr> <tr> <td>Partial Mode On, Idle Mode On, Sleep Out</td> <td>Yes</td> </tr> <tr> <td>Sleep In</td> <td>Yes</td> </tr> </tbody> </table>												Status	Availability	Normal Mode On, Idle Mode Off, Sleep Out	Yes	Normal Mode On, Idle Mode On, Sleep Out	Yes	Partial Mode On, Idle Mode Off, Sleep Out	Yes	Partial Mode On, Idle Mode On, Sleep Out	Yes	Sleep In	Yes
Status	Availability																							
Normal Mode On, Idle Mode Off, Sleep Out	Yes																							
Normal Mode On, Idle Mode On, Sleep Out	Yes																							
Partial Mode On, Idle Mode Off, Sleep Out	Yes																							
Partial Mode On, Idle Mode On, Sleep Out	Yes																							
Sleep In	Yes																							
Default	<table border="1"> <thead> <tr> <th>Status</th> <th>Default Value (D7 to D0)</th> </tr> </thead> <tbody> <tr> <td>Power On Sequence</td> <td>00h</td> </tr> <tr> <td>S/W Reset</td> <td>00h</td> </tr> <tr> <td>H/W Reset</td> <td>00h</td> </tr> </tbody> </table>												Status	Default Value (D7 to D0)	Power On Sequence	00h	S/W Reset	00h	H/W Reset	00h				
Status	Default Value (D7 to D0)																							
Power On Sequence	00h																							
S/W Reset	00h																							
H/W Reset	00h																							

12.3.2.19 CCCTRL (E3h/E300h):Color Calibration Control

E3H	CCCTRL (BK0)																							
Inst / Para	R/W	Address		D15-8	D7	D6	D5	D4	D3	D2	D1	D0												
		MIPI	SPI-16																					
CCCTRL	W	E3h	E300h	X	--	--	--	--	--	--	--	CCE												
Description	<p>CCE: Color Calibration Function Enable Control.</p> <p>CCE="0", Color Calibration Function disable.</p> <p>CCE="1", Color Calibration Function enable.</p>																							
Restriction	--																							
Register availability	<table border="1"> <thead> <tr> <th>Status</th> <th>Availability</th> </tr> </thead> <tbody> <tr> <td>Normal Mode On, Idle Mode Off, Sleep Out</td> <td>Yes</td> </tr> <tr> <td>Normal Mode On, Idle Mode On, Sleep Out</td> <td>Yes</td> </tr> <tr> <td>Partial Mode On, Idle Mode Off, Sleep Out</td> <td>Yes</td> </tr> <tr> <td>Partial Mode On, Idle Mode On, Sleep Out</td> <td>Yes</td> </tr> <tr> <td>Sleep In</td> <td>Yes</td> </tr> </tbody> </table>												Status	Availability	Normal Mode On, Idle Mode Off, Sleep Out	Yes	Normal Mode On, Idle Mode On, Sleep Out	Yes	Partial Mode On, Idle Mode Off, Sleep Out	Yes	Partial Mode On, Idle Mode On, Sleep Out	Yes	Sleep In	Yes
Status	Availability																							
Normal Mode On, Idle Mode Off, Sleep Out	Yes																							
Normal Mode On, Idle Mode On, Sleep Out	Yes																							
Partial Mode On, Idle Mode Off, Sleep Out	Yes																							
Partial Mode On, Idle Mode On, Sleep Out	Yes																							
Sleep In	Yes																							
Default	<table border="1"> <thead> <tr> <th>Status</th> <th>Default Value (D7 to D0)</th> </tr> </thead> <tbody> <tr> <td>Power On Sequence</td> <td>00h</td> </tr> <tr> <td>S/W Reset</td> <td>00h</td> </tr> <tr> <td>H/W Reset</td> <td>00h</td> </tr> </tbody> </table>												Status	Default Value (D7 to D0)	Power On Sequence	00h	S/W Reset	00h	H/W Reset	00h				
Status	Default Value (D7 to D0)																							
Power On Sequence	00h																							
S/W Reset	00h																							
H/W Reset	00h																							

12.3.2.20 SKCTRL (E4h/E400h):Skin Tone Preservation Control

E4H		SKCTRL (BK0)																						
Inst / Para	R/W	Address		D15-8	D7	D6	D5	D4	D3	D2	D1	D0												
		MIPI	SPI-16																					
SKCTRL	W	E4h	E400h	X	--	--	--	SKE	--	--	Skin_ce_mid[1:0]													
Description	<p>SKE: Skin Tone Preservation enable control. SKE="0", Skin Tone Preservation disable. SKE="1", Skin Tone Preservation enable. Skin_ce_mid: Skin Tone Preservation enable control</p>																							
Restriction	--																							
Register availability	<table border="1"> <thead> <tr> <th>Status</th> <th>Availability</th> </tr> </thead> <tbody> <tr> <td>Normal Mode On, Idle Mode Off, Sleep Out</td> <td>Yes</td> </tr> <tr> <td>Normal Mode On, Idle Mode On, Sleep Out</td> <td>Yes</td> </tr> <tr> <td>Partial Mode On, Idle Mode Off, Sleep Out</td> <td>Yes</td> </tr> <tr> <td>Partial Mode On, Idle Mode On, Sleep Out</td> <td>Yes</td> </tr> <tr> <td>Sleep In</td> <td>Yes</td> </tr> </tbody> </table>												Status	Availability	Normal Mode On, Idle Mode Off, Sleep Out	Yes	Normal Mode On, Idle Mode On, Sleep Out	Yes	Partial Mode On, Idle Mode Off, Sleep Out	Yes	Partial Mode On, Idle Mode On, Sleep Out	Yes	Sleep In	Yes
Status	Availability																							
Normal Mode On, Idle Mode Off, Sleep Out	Yes																							
Normal Mode On, Idle Mode On, Sleep Out	Yes																							
Partial Mode On, Idle Mode Off, Sleep Out	Yes																							
Partial Mode On, Idle Mode On, Sleep Out	Yes																							
Sleep In	Yes																							
Default	<table border="1"> <thead> <tr> <th>Status</th> <th>Default Value (D7 to D0)</th> </tr> </thead> <tbody> <tr> <td>Power On Sequence</td> <td>00h</td> </tr> <tr> <td>S/W Reset</td> <td>00h</td> </tr> <tr> <td>H/W Reset</td> <td>00h</td> </tr> </tbody> </table>												Status	Default Value (D7 to D0)	Power On Sequence	00h	S/W Reset	00h	H/W Reset	00h				
Status	Default Value (D7 to D0)																							
Power On Sequence	00h																							
S/W Reset	00h																							
H/W Reset	00h																							

12.3.2.21 NVMSETE (EAH/EA00H): NVM Address Setting Enable

EAH	NVMSETE (BK0)																							
Inst / Para	R/W	Address		D15-8	D7	D6	D5	D4	D3	D2	D1	D0												
		MIPI	SPI-16																					
NVMSETE	W	EAh	EA00h	X	--	--	--	--	--	--	--	ADEN												
Description	<p>ADEN:NVM Address Setting Enable.</p> <p>ADEN="0", NVM Address Setting disable.</p> <p>ADEN="1", NVM Address Setting enable.</p>																							
Restriction	--																							
Register availability	<table border="1"> <thead> <tr> <th>Status</th> <th>Availability</th> </tr> </thead> <tbody> <tr> <td>Normal Mode On, Idle Mode Off, Sleep Out</td> <td>Yes</td> </tr> <tr> <td>Normal Mode On, Idle Mode On, Sleep Out</td> <td>Yes</td> </tr> <tr> <td>Partial Mode On, Idle Mode Off, Sleep Out</td> <td>Yes</td> </tr> <tr> <td>Partial Mode On, Idle Mode On, Sleep Out</td> <td>Yes</td> </tr> <tr> <td>Sleep In</td> <td>Yes</td> </tr> </tbody> </table>												Status	Availability	Normal Mode On, Idle Mode Off, Sleep Out	Yes	Normal Mode On, Idle Mode On, Sleep Out	Yes	Partial Mode On, Idle Mode Off, Sleep Out	Yes	Partial Mode On, Idle Mode On, Sleep Out	Yes	Sleep In	Yes
Status	Availability																							
Normal Mode On, Idle Mode Off, Sleep Out	Yes																							
Normal Mode On, Idle Mode On, Sleep Out	Yes																							
Partial Mode On, Idle Mode Off, Sleep Out	Yes																							
Partial Mode On, Idle Mode On, Sleep Out	Yes																							
Sleep In	Yes																							
Default	<table border="1"> <thead> <tr> <th>Status</th> <th>Default Value (D7 to D0)</th> </tr> </thead> <tbody> <tr> <td>Power On Sequence</td> <td>00h</td> </tr> <tr> <td>S/W Reset</td> <td>00h</td> </tr> <tr> <td>H/W Reset</td> <td>00h</td> </tr> </tbody> </table>												Status	Default Value (D7 to D0)	Power On Sequence	00h	S/W Reset	00h	H/W Reset	00h				
Status	Default Value (D7 to D0)																							
Power On Sequence	00h																							
S/W Reset	00h																							
H/W Reset	00h																							

12.3.2.22 CABCTRL (EEh/EE00h):CABC Control

EEH	CABCTRL (BK0)																							
Inst / Para	R/W	Address		D15-8	D7	D6	D5	D4	D3	D2	D1	D0												
		MIPI	SPI-16																					
CABCTRL	W	EEh	EE00h	X	--	--	--	LEDPWR SEL	--	--	--	LED ON												
Description	<p>LED_ON: LED_ON output control LED_ON = "0", LED_ON output control off. LED_ON = "1", LED_ON output control on.</p> <p>LEDPWR SEL: LED_ON output level selection. LEDPWR SEL = "0", output level is VDDI. LEDPWR SEL = "1", output level is VDDB.</p>																							
Restriction	--																							
Register availability	<table border="1"> <thead> <tr> <th>Status</th> <th>Availability</th> </tr> </thead> <tbody> <tr> <td>Normal Mode On, Idle Mode Off, Sleep Out</td> <td>Yes</td> </tr> <tr> <td>Normal Mode On, Idle Mode On, Sleep Out</td> <td>Yes</td> </tr> <tr> <td>Partial Mode On, Idle Mode Off, Sleep Out</td> <td>Yes</td> </tr> <tr> <td>Partial Mode On, Idle Mode On, Sleep Out</td> <td>Yes</td> </tr> <tr> <td>Sleep In</td> <td>Yes</td> </tr> </tbody> </table>												Status	Availability	Normal Mode On, Idle Mode Off, Sleep Out	Yes	Normal Mode On, Idle Mode On, Sleep Out	Yes	Partial Mode On, Idle Mode Off, Sleep Out	Yes	Partial Mode On, Idle Mode On, Sleep Out	Yes	Sleep In	Yes
Status	Availability																							
Normal Mode On, Idle Mode Off, Sleep Out	Yes																							
Normal Mode On, Idle Mode On, Sleep Out	Yes																							
Partial Mode On, Idle Mode Off, Sleep Out	Yes																							
Partial Mode On, Idle Mode On, Sleep Out	Yes																							
Sleep In	Yes																							
Default	<table border="1"> <thead> <tr> <th>Status</th> <th>Default Value (D7 to D0)</th> </tr> </thead> <tbody> <tr> <td>Power On Sequence</td> <td>00h</td> </tr> <tr> <td>S/W Reset</td> <td>00h</td> </tr> <tr> <td>H/W Reset</td> <td>00h</td> </tr> </tbody> </table>												Status	Default Value (D7 to D0)	Power On Sequence	00h	S/W Reset	00h	H/W Reset	00h				
Status	Default Value (D7 to D0)																							
Power On Sequence	00h																							
S/W Reset	00h																							
H/W Reset	00h																							

12.3.2.23 DSTB: Deep Standby Mode Enable

		DSTB																						
Inst / Para	R/W	Address		D15-8	D7	D6	D5	D4	D3	D2	D1	D0												
		MIPI	SPI-16																					
PARCTRL	W	FFh	FF00h	X	0	1	1	1	0	1	1	1												
	W		FF01h	X	0	0	0	0	0	0	0	1												
	W		FF02h	X	0	0	0	0	0	0	0	0												
	W		FF03	X	0	0	0	0	0	0	0	0												
	W		FF04	X	0	0	0	0	0	0	0	0												
	W		FF05			DSTB	0	0	0	0	0	0	0											
Description	<p>DSTB:DSTB Mode Enable Setting. DSTB="0", DSTB Mode Setting disable. DSTB="1", DSTB Mode Setting enable.</p>																							
Restriction	--																							
Register availability	<table border="1"> <thead> <tr> <th>Status</th> <th>Availability</th> </tr> </thead> <tbody> <tr> <td>Normal Mode On, Idle Mode Off, Sleep Out</td> <td>Yes</td> </tr> <tr> <td>Normal Mode On, Idle Mode On, Sleep Out</td> <td>Yes</td> </tr> <tr> <td>Partial Mode On, Idle Mode Off, Sleep Out</td> <td>Yes</td> </tr> <tr> <td>Partial Mode On, Idle Mode On, Sleep Out</td> <td>Yes</td> </tr> <tr> <td>Sleep In</td> <td>Yes</td> </tr> </tbody> </table>												Status	Availability	Normal Mode On, Idle Mode Off, Sleep Out	Yes	Normal Mode On, Idle Mode On, Sleep Out	Yes	Partial Mode On, Idle Mode Off, Sleep Out	Yes	Partial Mode On, Idle Mode On, Sleep Out	Yes	Sleep In	Yes
Status	Availability																							
Normal Mode On, Idle Mode Off, Sleep Out	Yes																							
Normal Mode On, Idle Mode On, Sleep Out	Yes																							
Partial Mode On, Idle Mode Off, Sleep Out	Yes																							
Partial Mode On, Idle Mode On, Sleep Out	Yes																							
Sleep In	Yes																							
Default	<table border="1"> <thead> <tr> <th>Status</th> <th>Default Value (D7 to D0)</th> </tr> </thead> <tbody> <tr> <td>Power On Sequence</td> <td>00h</td> </tr> <tr> <td>S/W Reset</td> <td>00h</td> </tr> <tr> <td>H/W Reset</td> <td>00h</td> </tr> </tbody> </table>												Status	Default Value (D7 to D0)	Power On Sequence	00h	S/W Reset	00h	H/W Reset	00h				
Status	Default Value (D7 to D0)																							
Power On Sequence	00h																							
S/W Reset	00h																							
H/W Reset	00h																							

12.3.2.24 DSTBT: Deep Standby Mode Active

Inst / Para	R/W	DSTBT																						
		Address		D15-8	D7	D6	D5	D4	D3	D2	D1	D0												
		MIPI	SPI-16																					
PARCTRL	W	FFh	FF00h	X	0	1	1	1	0	1	1	1												
	W		FF01h	X	0	0	0	0	0	0	0	1												
	W		FF02h	X	0	0	0	0	0	0	0	0												
	W		FF03	X	0	0	0	0	0	0	0	0												
	W		FF04	X	DSTBT	0	0	0	0	0	0	0												
Description	<p>DSTBT:DSTB Mode Active.</p> <p>DSTBT="0", DSTB Mode not Active.</p> <p>DSTBT="1", DSTB Mode Active.</p>																							
Restriction	--																							
Register availability	<table border="1"> <thead> <tr> <th>Status</th> <th>Availability</th> </tr> </thead> <tbody> <tr> <td>Normal Mode On, Idle Mode Off, Sleep Out</td> <td>Yes</td> </tr> <tr> <td>Normal Mode On, Idle Mode On, Sleep Out</td> <td>Yes</td> </tr> <tr> <td>Partial Mode On, Idle Mode Off, Sleep Out</td> <td>Yes</td> </tr> <tr> <td>Partial Mode On, Idle Mode On, Sleep Out</td> <td>Yes</td> </tr> <tr> <td>Sleep In</td> <td>Yes</td> </tr> </tbody> </table>												Status	Availability	Normal Mode On, Idle Mode Off, Sleep Out	Yes	Normal Mode On, Idle Mode On, Sleep Out	Yes	Partial Mode On, Idle Mode Off, Sleep Out	Yes	Partial Mode On, Idle Mode On, Sleep Out	Yes	Sleep In	Yes
Status	Availability																							
Normal Mode On, Idle Mode Off, Sleep Out	Yes																							
Normal Mode On, Idle Mode On, Sleep Out	Yes																							
Partial Mode On, Idle Mode Off, Sleep Out	Yes																							
Partial Mode On, Idle Mode On, Sleep Out	Yes																							
Sleep In	Yes																							
Default	<table border="1"> <thead> <tr> <th>Status</th> <th>Default Value (D7 to D0)</th> </tr> </thead> <tbody> <tr> <td>Power On Sequence</td> <td>00h</td> </tr> <tr> <td>S/W Reset</td> <td>00h</td> </tr> <tr> <td>H/W Reset</td> <td>00h</td> </tr> </tbody> </table>												Status	Default Value (D7 to D0)	Power On Sequence	00h	S/W Reset	00h	H/W Reset	00h				
Status	Default Value (D7 to D0)																							
Power On Sequence	00h																							
S/W Reset	00h																							
H/W Reset	00h																							

Enter DSTB Mode Flow:

Step1: 0xFF:0x77/0x01/0x00/0x00/0x00/0x80

Step2: 0xFF:0x77/0x01/0x00/0x00/0x80

12.3.3 Command 2 BK1 Function

12.3.3.1 VRHS (B0h/B000h):Vop Amplitude setting

B0H		VRHS (BK1)																						
Inst / Para	R/W	Address		D15-8	D7	D6	D5	D4	D3	D2	D1	D0												
		MIPI	SPI-16																					
VRHS	W	B0h	B000h	X	VRHA[7:0]																			
Description	<p>VRHA[7:0]: VRH Set. $Vop=3.5375+(VRHA[7:0] \times 0.0125)$; $VRHP=Vop+(Vcom+Vcom\ offset)$; $VRHN=-Vop+(Vcom+Vcom\ offset)$;</p>																							
Restriction	--																							
Register availability	<table border="1"> <thead> <tr> <th>Status</th> <th>Availability</th> </tr> </thead> <tbody> <tr> <td>Normal Mode On, Idle Mode Off, Sleep Out</td> <td>Yes</td> </tr> <tr> <td>Normal Mode On, Idle Mode On, Sleep Out</td> <td>Yes</td> </tr> <tr> <td>Partial Mode On, Idle Mode Off, Sleep Out</td> <td>Yes</td> </tr> <tr> <td>Partial Mode On, Idle Mode On, Sleep Out</td> <td>Yes</td> </tr> <tr> <td>Sleep In</td> <td>Yes</td> </tr> </tbody> </table>												Status	Availability	Normal Mode On, Idle Mode Off, Sleep Out	Yes	Normal Mode On, Idle Mode On, Sleep Out	Yes	Partial Mode On, Idle Mode Off, Sleep Out	Yes	Partial Mode On, Idle Mode On, Sleep Out	Yes	Sleep In	Yes
Status	Availability																							
Normal Mode On, Idle Mode Off, Sleep Out	Yes																							
Normal Mode On, Idle Mode On, Sleep Out	Yes																							
Partial Mode On, Idle Mode Off, Sleep Out	Yes																							
Partial Mode On, Idle Mode On, Sleep Out	Yes																							
Sleep In	Yes																							
Default	<table border="1"> <thead> <tr> <th>Status</th> <th>Default Value (D7 to D0)</th> </tr> </thead> <tbody> <tr> <td>Power On Sequence</td> <td>4dh</td> </tr> <tr> <td>S/W Reset</td> <td>4dh</td> </tr> <tr> <td>H/W Reset</td> <td>4dh</td> </tr> </tbody> </table>												Status	Default Value (D7 to D0)	Power On Sequence	4dh	S/W Reset	4dh	H/W Reset	4dh				
Status	Default Value (D7 to D0)																							
Power On Sequence	4dh																							
S/W Reset	4dh																							
H/W Reset	4dh																							

12.3.3.2 VCOMS (B1h/B100h):VCOM amplitude setting

B1H	VCOM (BK1)																							
Inst / Para	R/W	Address		D15-8	D7	D6	D5	D4	D3	D2	D1	D0												
		MIPI	SPI-16																					
VCOM	W	B1h	B100h	X	VCOM[7:0]																			
Description	VCOM[7:0]: VCOM Set. VCOM=0.1+(VCOM[7:0] x 0.0125);																							
Restriction	--																							
Register availability	<table border="1"> <thead> <tr> <th>Status</th> <th>Availability</th> </tr> </thead> <tbody> <tr> <td>Normal Mode On, Idle Mode Off, Sleep Out</td> <td>Yes</td> </tr> <tr> <td>Normal Mode On, Idle Mode On, Sleep Out</td> <td>Yes</td> </tr> <tr> <td>Partial Mode On, Idle Mode Off, Sleep Out</td> <td>Yes</td> </tr> <tr> <td>Partial Mode On, Idle Mode On, Sleep Out</td> <td>Yes</td> </tr> <tr> <td>Sleep In</td> <td>Yes</td> </tr> </tbody> </table>												Status	Availability	Normal Mode On, Idle Mode Off, Sleep Out	Yes	Normal Mode On, Idle Mode On, Sleep Out	Yes	Partial Mode On, Idle Mode Off, Sleep Out	Yes	Partial Mode On, Idle Mode On, Sleep Out	Yes	Sleep In	Yes
Status	Availability																							
Normal Mode On, Idle Mode Off, Sleep Out	Yes																							
Normal Mode On, Idle Mode On, Sleep Out	Yes																							
Partial Mode On, Idle Mode Off, Sleep Out	Yes																							
Partial Mode On, Idle Mode On, Sleep Out	Yes																							
Sleep In	Yes																							
Default	<table border="1"> <thead> <tr> <th>Status</th> <th>Default Value (D7 to D0)</th> </tr> </thead> <tbody> <tr> <td>Power On Sequence</td> <td>40h</td> </tr> <tr> <td>S/W Reset</td> <td>40h</td> </tr> <tr> <td>H/W Reset</td> <td>40h</td> </tr> </tbody> </table>												Status	Default Value (D7 to D0)	Power On Sequence	40h	S/W Reset	40h	H/W Reset	40h				
Status	Default Value (D7 to D0)																							
Power On Sequence	40h																							
S/W Reset	40h																							
H/W Reset	40h																							

12.3.3.3 VGHSS (B2h/B200h):VGH Voltage setting

B2H	VGHSS (BK1)																																											
Inst / Para	R/W	Address		D15-8	D7	D6	D5	D4	D3	D2	D1	D0																																
		MIPI	SPI-16																																									
VGHSS	W	B2h	B200h	X	--	--	--	--	VGHSS[3:0]																																			
Description	VGHSS[3:0]: Gate High Voltage setting.																																											
	<table border="1"> <thead> <tr> <th>VGHSS[3:0]</th> <th>Voltage</th> <th>VGHSS[3:0]</th> <th>Voltage</th> </tr> </thead> <tbody> <tr> <td>00H</td> <td>11.5</td> <td>07H</td> <td>15.0</td> </tr> <tr> <td>01H</td> <td>12.0</td> <td>08H</td> <td>15.5</td> </tr> <tr> <td>02H</td> <td>12.5</td> <td>09H</td> <td>16.0</td> </tr> <tr> <td>03H</td> <td>13.0</td> <td>0AH</td> <td>16.5</td> </tr> <tr> <td>04H</td> <td>13.5</td> <td>0BH</td> <td>17.0</td> </tr> <tr> <td>05H</td> <td>14.0</td> <td>0CH</td> <td>17.0</td> </tr> <tr> <td>06H</td> <td>14.5</td> <td>0DH</td> <td>17.0</td> </tr> </tbody> </table>												VGHSS[3:0]	Voltage	VGHSS[3:0]	Voltage	00H	11.5	07H	15.0	01H	12.0	08H	15.5	02H	12.5	09H	16.0	03H	13.0	0AH	16.5	04H	13.5	0BH	17.0	05H	14.0	0CH	17.0	06H	14.5	0DH	17.0
	VGHSS[3:0]	Voltage	VGHSS[3:0]	Voltage																																								
	00H	11.5	07H	15.0																																								
	01H	12.0	08H	15.5																																								
	02H	12.5	09H	16.0																																								
	03H	13.0	0AH	16.5																																								
	04H	13.5	0BH	17.0																																								
05H	14.0	0CH	17.0																																									
06H	14.5	0DH	17.0																																									
Restriction	--																																											
Register availability	<table border="1"> <thead> <tr> <th>Status</th> <th>Availability</th> </tr> </thead> <tbody> <tr> <td>Normal Mode On, Idle Mode Off, Sleep Out</td> <td>Yes</td> </tr> <tr> <td>Normal Mode On, Idle Mode On, Sleep Out</td> <td>Yes</td> </tr> <tr> <td>Partial Mode On, Idle Mode Off, Sleep Out</td> <td>Yes</td> </tr> <tr> <td>Partial Mode On, Idle Mode On, Sleep Out</td> <td>Yes</td> </tr> <tr> <td>Sleep In</td> <td>Yes</td> </tr> </tbody> </table>												Status	Availability	Normal Mode On, Idle Mode Off, Sleep Out	Yes	Normal Mode On, Idle Mode On, Sleep Out	Yes	Partial Mode On, Idle Mode Off, Sleep Out	Yes	Partial Mode On, Idle Mode On, Sleep Out	Yes	Sleep In	Yes																				
	Status	Availability																																										
	Normal Mode On, Idle Mode Off, Sleep Out	Yes																																										
	Normal Mode On, Idle Mode On, Sleep Out	Yes																																										
	Partial Mode On, Idle Mode Off, Sleep Out	Yes																																										
Partial Mode On, Idle Mode On, Sleep Out	Yes																																											
Sleep In	Yes																																											
Default	<table border="1"> <thead> <tr> <th>Status</th> <th>Default Value (D7 to D0)</th> </tr> </thead> <tbody> <tr> <td>Power On Sequence</td> <td>02h</td> </tr> <tr> <td>S/W Reset</td> <td>02h</td> </tr> <tr> <td>H/W Reset</td> <td>02h</td> </tr> </tbody> </table>												Status	Default Value (D7 to D0)	Power On Sequence	02h	S/W Reset	02h	H/W Reset	02h																								
	Status	Default Value (D7 to D0)																																										
	Power On Sequence	02h																																										
	S/W Reset	02h																																										
H/W Reset	02h																																											

12.3.3.4 TESTCMD (B3h/B300h):TEST Command Setting

B3H	TESTCMD (BK1)																							
Inst / Para	R/W	Address		D15-8	D7	D6	D5	D4	D3	D2	D1	D0												
		MIPI	SPI-16																					
TESTCMD	W	B3h	B300h	X	1	--	--	--	--	0	0	0												
Description	TESTCMD : 0x80H																							
Restriction	--																							
Register availability	<table border="1"> <thead> <tr> <th>Status</th> <th>Availability</th> </tr> </thead> <tbody> <tr> <td>Normal Mode On, Idle Mode Off, Sleep Out</td> <td>Yes</td> </tr> <tr> <td>Normal Mode On, Idle Mode On, Sleep Out</td> <td>Yes</td> </tr> <tr> <td>Partial Mode On, Idle Mode Off, Sleep Out</td> <td>Yes</td> </tr> <tr> <td>Partial Mode On, Idle Mode On, Sleep Out</td> <td>Yes</td> </tr> <tr> <td>Sleep In</td> <td>Yes</td> </tr> </tbody> </table>												Status	Availability	Normal Mode On, Idle Mode Off, Sleep Out	Yes	Normal Mode On, Idle Mode On, Sleep Out	Yes	Partial Mode On, Idle Mode Off, Sleep Out	Yes	Partial Mode On, Idle Mode On, Sleep Out	Yes	Sleep In	Yes
	Status	Availability																						
	Normal Mode On, Idle Mode Off, Sleep Out	Yes																						
	Normal Mode On, Idle Mode On, Sleep Out	Yes																						
	Partial Mode On, Idle Mode Off, Sleep Out	Yes																						
	Partial Mode On, Idle Mode On, Sleep Out	Yes																						
Sleep In	Yes																							
Default	<table border="1"> <thead> <tr> <th>Status</th> <th>Default Value (D7 to D0)</th> </tr> </thead> <tbody> <tr> <td>Power On Sequence</td> <td>00h</td> </tr> <tr> <td>S/W Reset</td> <td>00h</td> </tr> <tr> <td>H/W Reset</td> <td>00h</td> </tr> </tbody> </table>												Status	Default Value (D7 to D0)	Power On Sequence	00h	S/W Reset	00h	H/W Reset	00h				
	Status	Default Value (D7 to D0)																						
	Power On Sequence	00h																						
	S/W Reset	00h																						
H/W Reset	00h																							

12.3.3.5 VGLS (B5h/B500h):VGL Voltage setting

B5H		VGLS (BK1)																																														
Inst / Para	R/W	Address		D15-8	D7	D6	D5	D4	D3	D2	D1	D0																																				
		MIPI	SPI-16																																													
VGLS	W	B5h	B500h	X	--	1	--	--	VGLS[3:0]																																							
Description	VGLS[3:0]: Gate Low Voltage setting.																																															
	<table border="1"> <thead> <tr> <th>VGLS[3:0]</th> <th>Voltage</th> <th>VGLS[3:0]</th> <th>Voltage</th> </tr> </thead> <tbody> <tr> <td>00H</td> <td>-7.06</td> <td>08H</td> <td>-9.83</td> </tr> <tr> <td>01H</td> <td>-7.47</td> <td>09H</td> <td>-10.17</td> </tr> <tr> <td>02H</td> <td>-7.91</td> <td>0AH</td> <td>-10.53</td> </tr> <tr> <td>03H</td> <td>-8.14</td> <td>0BH</td> <td>-10.91</td> </tr> <tr> <td>04H</td> <td>-8.65</td> <td>0CH</td> <td>-11.31</td> </tr> <tr> <td>05H</td> <td>-8.92</td> <td>0DH</td> <td>-11.74</td> </tr> <tr> <td>06H</td> <td>-9.21</td> <td>0EH</td> <td>-12.20</td> </tr> <tr> <td>07H</td> <td>-9.51</td> <td>0FH</td> <td>-12.69</td> </tr> </tbody> </table>												VGLS[3:0]	Voltage	VGLS[3:0]	Voltage	00H	-7.06	08H	-9.83	01H	-7.47	09H	-10.17	02H	-7.91	0AH	-10.53	03H	-8.14	0BH	-10.91	04H	-8.65	0CH	-11.31	05H	-8.92	0DH	-11.74	06H	-9.21	0EH	-12.20	07H	-9.51	0FH	-12.69
	VGLS[3:0]	Voltage	VGLS[3:0]	Voltage																																												
	00H	-7.06	08H	-9.83																																												
	01H	-7.47	09H	-10.17																																												
	02H	-7.91	0AH	-10.53																																												
	03H	-8.14	0BH	-10.91																																												
	04H	-8.65	0CH	-11.31																																												
	05H	-8.92	0DH	-11.74																																												
	06H	-9.21	0EH	-12.20																																												
07H	-9.51	0FH	-12.69																																													
Restriction	--																																															
Register availability	<table border="1"> <thead> <tr> <th>Status</th> <th>Availability</th> </tr> </thead> <tbody> <tr> <td>Normal Mode On, Idle Mode Off, Sleep Out</td> <td>Yes</td> </tr> <tr> <td>Normal Mode On, Idle Mode On, Sleep Out</td> <td>Yes</td> </tr> <tr> <td>Partial Mode On, Idle Mode Off, Sleep Out</td> <td>Yes</td> </tr> <tr> <td>Partial Mode On, Idle Mode On, Sleep Out</td> <td>Yes</td> </tr> <tr> <td>Sleep In</td> <td>Yes</td> </tr> </tbody> </table>												Status	Availability	Normal Mode On, Idle Mode Off, Sleep Out	Yes	Normal Mode On, Idle Mode On, Sleep Out	Yes	Partial Mode On, Idle Mode Off, Sleep Out	Yes	Partial Mode On, Idle Mode On, Sleep Out	Yes	Sleep In	Yes																								
	Status	Availability																																														
	Normal Mode On, Idle Mode Off, Sleep Out	Yes																																														
	Normal Mode On, Idle Mode On, Sleep Out	Yes																																														
	Partial Mode On, Idle Mode Off, Sleep Out	Yes																																														
	Partial Mode On, Idle Mode On, Sleep Out	Yes																																														
Sleep In	Yes																																															
Default	<table border="1"> <thead> <tr> <th>Status</th> <th>Default Value (D7 to D0)</th> </tr> </thead> <tbody> <tr> <td>Power On Sequence</td> <td>07h</td> </tr> <tr> <td>S/W Reset</td> <td>07h</td> </tr> <tr> <td>H/W Reset</td> <td>07h</td> </tr> </tbody> </table>												Status	Default Value (D7 to D0)	Power On Sequence	07h	S/W Reset	07h	H/W Reset	07h																												
	Status	Default Value (D7 to D0)																																														
	Power On Sequence	07h																																														
	S/W Reset	07h																																														
H/W Reset	07h																																															

12.3.3.6 PWCTRL1 (B7h/B700h):Power Control 1

B7H		PWCTRL1 (BK1)																																								
Inst / Para	R/W	Address		D15-8	D7	D6	D5	D4	D3	D2	D1	D0																														
		MIPI	SPI-16																																							
PWCTRL1	W	B7h	B700h	X	AP[1:0]		--	--	APIS[1:0]		APOS[1:0]																															
Description	<p>AP[1:0]: Gamma OP bias current selection.</p> <table border="1"> <thead> <tr> <th>AP[1:0]</th> <th>Current</th> </tr> </thead> <tbody> <tr> <td>00H</td> <td>Off</td> </tr> <tr> <td>01H</td> <td>Min</td> </tr> <tr> <td>02H</td> <td>Middle</td> </tr> <tr> <td>03H</td> <td>Max</td> </tr> </tbody> </table> <p>APIS[1:0]: Source OP input stage bias current selection</p> <table border="1"> <thead> <tr> <th>APIS[1:0]</th> <th>Current</th> </tr> </thead> <tbody> <tr> <td>00H</td> <td>Off</td> </tr> <tr> <td>01H</td> <td>Min</td> </tr> <tr> <td>02H</td> <td>Middle</td> </tr> <tr> <td>03H</td> <td>Max</td> </tr> </tbody> </table> <p>APOS[1:0]: Source OP output stage bias current selection.</p> <table border="1"> <thead> <tr> <th>APOS[1:0]</th> <th>Current</th> </tr> </thead> <tbody> <tr> <td>00H</td> <td>Off</td> </tr> <tr> <td>01H</td> <td>Min</td> </tr> <tr> <td>02H</td> <td>Middle</td> </tr> <tr> <td>03H</td> <td>Max</td> </tr> </tbody> </table>												AP[1:0]	Current	00H	Off	01H	Min	02H	Middle	03H	Max	APIS[1:0]	Current	00H	Off	01H	Min	02H	Middle	03H	Max	APOS[1:0]	Current	00H	Off	01H	Min	02H	Middle	03H	Max
	AP[1:0]	Current																																								
	00H	Off																																								
	01H	Min																																								
02H	Middle																																									
03H	Max																																									
APIS[1:0]	Current																																									
00H	Off																																									
01H	Min																																									
02H	Middle																																									
03H	Max																																									
APOS[1:0]	Current																																									
00H	Off																																									
01H	Min																																									
02H	Middle																																									
03H	Max																																									
Restriction	--																																									
Register availability	<table border="1"> <thead> <tr> <th>Status</th> <th>Availability</th> </tr> </thead> <tbody> <tr> <td>Normal Mode On, Idle Mode Off, Sleep Out</td> <td>Yes</td> </tr> <tr> <td>Normal Mode On, Idle Mode On, Sleep Out</td> <td>Yes</td> </tr> <tr> <td>Partial Mode On, Idle Mode Off, Sleep Out</td> <td>Yes</td> </tr> <tr> <td>Partial Mode On, Idle Mode On, Sleep Out</td> <td>Yes</td> </tr> <tr> <td>Sleep In</td> <td>Yes</td> </tr> </tbody> </table>												Status	Availability	Normal Mode On, Idle Mode Off, Sleep Out	Yes	Normal Mode On, Idle Mode On, Sleep Out	Yes	Partial Mode On, Idle Mode Off, Sleep Out	Yes	Partial Mode On, Idle Mode On, Sleep Out	Yes	Sleep In	Yes																		
Status	Availability																																									
Normal Mode On, Idle Mode Off, Sleep Out	Yes																																									
Normal Mode On, Idle Mode On, Sleep Out	Yes																																									
Partial Mode On, Idle Mode Off, Sleep Out	Yes																																									
Partial Mode On, Idle Mode On, Sleep Out	Yes																																									
Sleep In	Yes																																									
Default	<table border="1"> <thead> <tr> <th>Status</th> <th>Default Value (D7 to D0)</th> </tr> </thead> <tbody> <tr> <td>Power On Sequence</td> <td>8Ch</td> </tr> <tr> <td>S/W Reset</td> <td>8Ch</td> </tr> <tr> <td>H/W Reset</td> <td>8Ch</td> </tr> </tbody> </table>												Status	Default Value (D7 to D0)	Power On Sequence	8Ch	S/W Reset	8Ch	H/W Reset	8Ch																						
Status	Default Value (D7 to D0)																																									
Power On Sequence	8Ch																																									
S/W Reset	8Ch																																									
H/W Reset	8Ch																																									

12.3.3.7 PWCTRL2 (B8h/B800h):Power Control 2

B8H		PWCTRL2 (BK1)																						
Inst / Para	R/W	Address		D15-8	D7	D6	D5	D4	D3	D2	D1	D0												
		MIPI	SPI-16																					
PWCTRL2	W	B8h	B800h	X	--	--	AVDD[1:0]		--	--	AVCL[1:0]													
Description	AVDD[1:0]: AVDD voltage setting. <table border="1"> <thead> <tr> <th>AVDD[1:0]</th> <th>AVDD</th> </tr> </thead> <tbody> <tr> <td>00H</td> <td>6.2 V</td> </tr> <tr> <td>01H</td> <td>6.4 V</td> </tr> <tr> <td>02H</td> <td>6.6 V</td> </tr> <tr> <td>03H</td> <td>6.8 V</td> </tr> </tbody> </table>												AVDD[1:0]	AVDD	00H	6.2 V	01H	6.4 V	02H	6.6 V	03H	6.8 V		
	AVDD[1:0]	AVDD																						
00H	6.2 V																							
01H	6.4 V																							
02H	6.6 V																							
03H	6.8 V																							
AVCL[1:0]: AVCL voltage setting <table border="1"> <thead> <tr> <th>AVCL[1:0]</th> <th>AVCL</th> </tr> </thead> <tbody> <tr> <td>00H</td> <td>-4.4 V</td> </tr> <tr> <td>01H</td> <td>-4.6 V</td> </tr> <tr> <td>02H</td> <td>-4.8 V</td> </tr> <tr> <td>03H</td> <td>-5.0 V</td> </tr> </tbody> </table>												AVCL[1:0]	AVCL	00H	-4.4 V	01H	-4.6 V	02H	-4.8 V	03H	-5.0 V			
AVCL[1:0]	AVCL																							
00H	-4.4 V																							
01H	-4.6 V																							
02H	-4.8 V																							
03H	-5.0 V																							
Restriction	--																							
Register availability	<table border="1"> <thead> <tr> <th>Status</th> <th>Availability</th> </tr> </thead> <tbody> <tr> <td>Normal Mode On, Idle Mode Off, Sleep Out</td> <td>Yes</td> </tr> <tr> <td>Normal Mode On, Idle Mode On, Sleep Out</td> <td>Yes</td> </tr> <tr> <td>Partial Mode On, Idle Mode Off, Sleep Out</td> <td>Yes</td> </tr> <tr> <td>Partial Mode On, Idle Mode On, Sleep Out</td> <td>Yes</td> </tr> <tr> <td>Sleep In</td> <td>Yes</td> </tr> </tbody> </table>												Status	Availability	Normal Mode On, Idle Mode Off, Sleep Out	Yes	Normal Mode On, Idle Mode On, Sleep Out	Yes	Partial Mode On, Idle Mode Off, Sleep Out	Yes	Partial Mode On, Idle Mode On, Sleep Out	Yes	Sleep In	Yes
Status	Availability																							
Normal Mode On, Idle Mode Off, Sleep Out	Yes																							
Normal Mode On, Idle Mode On, Sleep Out	Yes																							
Partial Mode On, Idle Mode Off, Sleep Out	Yes																							
Partial Mode On, Idle Mode On, Sleep Out	Yes																							
Sleep In	Yes																							
Default	<table border="1"> <thead> <tr> <th>Status</th> <th>Default Value (D7 to D0)</th> </tr> </thead> <tbody> <tr> <td>Power On Sequence</td> <td>21h</td> </tr> <tr> <td>S/W Reset</td> <td>21h</td> </tr> <tr> <td>H/W Reset</td> <td>21h</td> </tr> </tbody> </table>												Status	Default Value (D7 to D0)	Power On Sequence	21h	S/W Reset	21h	H/W Reset	21h				
Status	Default Value (D7 to D0)																							
Power On Sequence	21h																							
S/W Reset	21h																							
H/W Reset	21h																							

12.3.3.8 PWCTRL3 (B9h/B900h):Power Control 2

B8H		PWCTRL3 (BK1)																						
Inst / Para	R/W	Address		D15-8	D7	D6	D5	D4	D3	D2	D1	D0												
		MIPI	SPI-16																					
PWCTRL3	W	B9h	B900h	X	--	--	SVPO_PUM[1:0]	--	--	--	SVNO_PUM[1:0]													
Description	SVPO_PUM: source pumping cell setting. <table border="1" style="margin-left: 20px;"> <thead> <tr> <th>SVPO_PUM[1:0]</th> <th>Cell set</th> </tr> </thead> <tbody> <tr><td>00H</td><td>4</td></tr> <tr><td>01H</td><td>5</td></tr> <tr><td>02H</td><td>6</td></tr> <tr><td>03H</td><td>7</td></tr> </tbody> </table>												SVPO_PUM[1:0]	Cell set	00H	4	01H	5	02H	6	03H	7		
	SVPO_PUM[1:0]	Cell set																						
00H	4																							
01H	5																							
02H	6																							
03H	7																							
Description	SVNO_PUM: source pumping cell setting. <table border="1" style="margin-left: 20px;"> <thead> <tr> <th>SVNO_PUM[1:0]</th> <th>Cell set</th> </tr> </thead> <tbody> <tr><td>00H</td><td>4</td></tr> <tr><td>01H</td><td>5</td></tr> <tr><td>02H</td><td>6</td></tr> <tr><td>03H</td><td>7</td></tr> </tbody> </table>												SVNO_PUM[1:0]	Cell set	00H	4	01H	5	02H	6	03H	7		
	SVNO_PUM[1:0]	Cell set																						
00H	4																							
01H	5																							
02H	6																							
03H	7																							
Restriction	--																							
Register availability	<table border="1" style="margin-left: 20px;"> <thead> <tr> <th>Status</th> <th>Availability</th> </tr> </thead> <tbody> <tr> <td>Normal Mode On, Idle Mode Off, Sleep Out</td> <td>Yes</td> </tr> <tr> <td>Normal Mode On, Idle Mode On, Sleep Out</td> <td>Yes</td> </tr> <tr> <td>Partial Mode On, Idle Mode Off, Sleep Out</td> <td>Yes</td> </tr> <tr> <td>Partial Mode On, Idle Mode On, Sleep Out</td> <td>Yes</td> </tr> <tr> <td>Sleep In</td> <td>Yes</td> </tr> </tbody> </table>												Status	Availability	Normal Mode On, Idle Mode Off, Sleep Out	Yes	Normal Mode On, Idle Mode On, Sleep Out	Yes	Partial Mode On, Idle Mode Off, Sleep Out	Yes	Partial Mode On, Idle Mode On, Sleep Out	Yes	Sleep In	Yes
Status	Availability																							
Normal Mode On, Idle Mode Off, Sleep Out	Yes																							
Normal Mode On, Idle Mode On, Sleep Out	Yes																							
Partial Mode On, Idle Mode Off, Sleep Out	Yes																							
Partial Mode On, Idle Mode On, Sleep Out	Yes																							
Sleep In	Yes																							
Default	<table border="1" style="margin-left: 20px;"> <thead> <tr> <th>Status</th> <th>Default Value (D7 to D0)</th> </tr> </thead> <tbody> <tr> <td>Power On Sequence</td> <td>21h</td> </tr> <tr> <td>S/W Reset</td> <td>21h</td> </tr> <tr> <td>H/W Reset</td> <td>21h</td> </tr> </tbody> </table>												Status	Default Value (D7 to D0)	Power On Sequence	21h	S/W Reset	21h	H/W Reset	21h				
Status	Default Value (D7 to D0)																							
Power On Sequence	21h																							
S/W Reset	21h																							
H/W Reset	21h																							

12.3.3.9 PCLKS1 (BAh/BA00h):Power pumping clk selection 1

BAH		PCLKS1 (BK1)																						
Inst / Para	R/W	Address		D15-8	D7	D6	D5	D4	D3	D2	D1	D0												
		MIPI	SPI-16																					
PCLKS1	W	BAh	BA00h	X	--	--	STP4CKS[1:0]		--	--	STP1CKS [1:0]													
Description	STP4CKS[1:0]: step4 pumping clk selection. <table border="1" style="margin-left: 20px;"> <thead> <tr> <th>STP4CKS[1:0]</th> <th>CLK</th> </tr> </thead> <tbody> <tr> <td>00H</td> <td>3.3 MHz</td> </tr> <tr> <td>01H</td> <td>4.0 MHz</td> </tr> <tr> <td>02H</td> <td>2.5 MHz</td> </tr> <tr> <td>03H</td> <td>6.0 MHz</td> </tr> </tbody> </table>												STP4CKS[1:0]	CLK	00H	3.3 MHz	01H	4.0 MHz	02H	2.5 MHz	03H	6.0 MHz		
	STP4CKS[1:0]	CLK																						
00H	3.3 MHz																							
01H	4.0 MHz																							
02H	2.5 MHz																							
03H	6.0 MHz																							
	STP1CKS[1:0]: step1 pumping clk selection. <table border="1" style="margin-left: 20px;"> <thead> <tr> <th>STP1CKS[1:0]</th> <th>CLK</th> </tr> </thead> <tbody> <tr> <td>00H</td> <td>3.3 MHz</td> </tr> <tr> <td>01H</td> <td>4.0 MHz</td> </tr> <tr> <td>02H</td> <td>2.5 MHz</td> </tr> <tr> <td>03H</td> <td>6.0 MHz</td> </tr> </tbody> </table>												STP1CKS[1:0]	CLK	00H	3.3 MHz	01H	4.0 MHz	02H	2.5 MHz	03H	6.0 MHz		
STP1CKS[1:0]	CLK																							
00H	3.3 MHz																							
01H	4.0 MHz																							
02H	2.5 MHz																							
03H	6.0 MHz																							
Restriction	--																							
Register availability	<table border="1" style="margin-left: 20px;"> <thead> <tr> <th>Status</th> <th>Availability</th> </tr> </thead> <tbody> <tr> <td>Normal Mode On, Idle Mode Off, Sleep Out</td> <td>Yes</td> </tr> <tr> <td>Normal Mode On, Idle Mode On, Sleep Out</td> <td>Yes</td> </tr> <tr> <td>Partial Mode On, Idle Mode Off, Sleep Out</td> <td>Yes</td> </tr> <tr> <td>Partial Mode On, Idle Mode On, Sleep Out</td> <td>Yes</td> </tr> <tr> <td>Sleep In</td> <td>Yes</td> </tr> </tbody> </table>												Status	Availability	Normal Mode On, Idle Mode Off, Sleep Out	Yes	Normal Mode On, Idle Mode On, Sleep Out	Yes	Partial Mode On, Idle Mode Off, Sleep Out	Yes	Partial Mode On, Idle Mode On, Sleep Out	Yes	Sleep In	Yes
Status	Availability																							
Normal Mode On, Idle Mode Off, Sleep Out	Yes																							
Normal Mode On, Idle Mode On, Sleep Out	Yes																							
Partial Mode On, Idle Mode Off, Sleep Out	Yes																							
Partial Mode On, Idle Mode On, Sleep Out	Yes																							
Sleep In	Yes																							
Default	<table border="1" style="margin-left: 20px;"> <thead> <tr> <th>Status</th> <th>Default Value (D7 to D0)</th> </tr> </thead> <tbody> <tr> <td>Power On Sequence</td> <td>22h</td> </tr> <tr> <td>S/W Reset</td> <td>22h</td> </tr> <tr> <td>H/W Reset</td> <td>22h</td> </tr> </tbody> </table>												Status	Default Value (D7 to D0)	Power On Sequence	22h	S/W Reset	22h	H/W Reset	22h				
Status	Default Value (D7 to D0)																							
Power On Sequence	22h																							
S/W Reset	22h																							
H/W Reset	22h																							

12.3.3.10 PCLKS2 (BBh/BB00h):Power pumping clk selection 2

BBH		PCLKS2 (BK1)										
Inst / Para	R/W	Address		D15-8	D7	D6	D5	D4	D3	D2	D1	D0
		MIPI	SPI-16									
PCLKS1	W	BBh	BB00h	X	--	--	--	--	--	--	--	SBSTCKs[1:0]
Description	SBSTCKs[1:0]: source pumping clk selection.											
	SBSTCKs[1:0]		CLK									
	00H		5.0 MHz									
	01H		6.7 MHz									
	02H		8.0 MHz									
03H		10 MHz										
Restriction	--											
Register availability	Status				Availability							
	Normal Mode On, Idle Mode Off, Sleep Out				Yes							
	Normal Mode On, Idle Mode On, Sleep Out				Yes							
	Partial Mode On, Idle Mode Off, Sleep Out				Yes							
	Partial Mode On, Idle Mode On, Sleep Out				Yes							
	Sleep In				Yes							
Default	Status					Default Value (D7 to D0)						
	Power On Sequence					02h						
	S/W Reset					02h						
	H/W Reset					02h						

12.3.3.11 PCLKS3 (BCh/BC00h):Power pumping clk selection 3

BCH		PCLKS3 (BK1)																																								
Inst / Para	R/W	Address		D15-8	D7	D6	D5	D4	D3	D2	D1	D0																														
		MIPI	SPI-16																																							
PCLKS3	W	BCh	BC00h	X	--	--	STP3CKS[1:0]		STP2CKS[1:0]		STP2SCKS [1:0]																															
Description	<p>STP3CKS[1:0]: step3 pumping clk selection.</p> <table border="1"> <thead> <tr> <th>STP4CKS[1:0]</th> <th>CLK</th> </tr> </thead> <tbody> <tr> <td>00H</td> <td>2.5 MHz</td> </tr> <tr> <td>01H</td> <td>3.3 MHz</td> </tr> <tr> <td>02H</td> <td>4.0 MHz</td> </tr> <tr> <td>03H</td> <td>5.0 MHz</td> </tr> </tbody> </table> <p>STP2CKS[1:0]: step2 VGHP pumping clk selection.</p> <table border="1"> <thead> <tr> <th>STP1CKS[1:0]</th> <th>CLK</th> </tr> </thead> <tbody> <tr> <td>00H</td> <td>2.5 MHz</td> </tr> <tr> <td>01H</td> <td>3.3 MHz</td> </tr> <tr> <td>02H</td> <td>4.0 MHz</td> </tr> <tr> <td>03H</td> <td>5.0 MHz</td> </tr> </tbody> </table> <p>STP2SCKS[1:0]: step2 VGHS pumping clk selection.</p> <table border="1"> <thead> <tr> <th>STP2SCKS[1:0]</th> <th>CLK</th> </tr> </thead> <tbody> <tr> <td>00H</td> <td>2.5 MHz</td> </tr> <tr> <td>01H</td> <td>3.3 MHz</td> </tr> <tr> <td>02H</td> <td>4.0 MHz</td> </tr> <tr> <td>03H</td> <td>5.0 MHz</td> </tr> </tbody> </table>												STP4CKS[1:0]	CLK	00H	2.5 MHz	01H	3.3 MHz	02H	4.0 MHz	03H	5.0 MHz	STP1CKS[1:0]	CLK	00H	2.5 MHz	01H	3.3 MHz	02H	4.0 MHz	03H	5.0 MHz	STP2SCKS[1:0]	CLK	00H	2.5 MHz	01H	3.3 MHz	02H	4.0 MHz	03H	5.0 MHz
	STP4CKS[1:0]	CLK																																								
	00H	2.5 MHz																																								
	01H	3.3 MHz																																								
	02H	4.0 MHz																																								
	03H	5.0 MHz																																								
	STP1CKS[1:0]	CLK																																								
	00H	2.5 MHz																																								
	01H	3.3 MHz																																								
	02H	4.0 MHz																																								
	03H	5.0 MHz																																								
	STP2SCKS[1:0]	CLK																																								
	00H	2.5 MHz																																								
	01H	3.3 MHz																																								
	02H	4.0 MHz																																								
03H	5.0 MHz																																									
Restriction	--																																									
Register availability	<table border="1"> <thead> <tr> <th>Status</th> <th>Availability</th> </tr> </thead> <tbody> <tr> <td>Normal Mode On, Idle Mode Off, Sleep Out</td> <td>Yes</td> </tr> <tr> <td>Normal Mode On, Idle Mode On, Sleep Out</td> <td>Yes</td> </tr> <tr> <td>Partial Mode On, Idle Mode Off, Sleep Out</td> <td>Yes</td> </tr> <tr> <td>Partial Mode On, Idle Mode On, Sleep Out</td> <td>Yes</td> </tr> <tr> <td>Sleep In</td> <td>Yes</td> </tr> </tbody> </table>												Status	Availability	Normal Mode On, Idle Mode Off, Sleep Out	Yes	Normal Mode On, Idle Mode On, Sleep Out	Yes	Partial Mode On, Idle Mode Off, Sleep Out	Yes	Partial Mode On, Idle Mode On, Sleep Out	Yes	Sleep In	Yes																		
Status	Availability																																									
Normal Mode On, Idle Mode Off, Sleep Out	Yes																																									
Normal Mode On, Idle Mode On, Sleep Out	Yes																																									
Partial Mode On, Idle Mode Off, Sleep Out	Yes																																									
Partial Mode On, Idle Mode On, Sleep Out	Yes																																									
Sleep In	Yes																																									
Default	<table border="1"> <thead> <tr> <th>Status</th> <th>Default Value (D7 to D0)</th> </tr> </thead> <tbody> <tr> <td>Power On Sequence</td> <td>22h</td> </tr> <tr> <td>S/W Reset</td> <td>22h</td> </tr> <tr> <td>H/W Reset</td> <td>22h</td> </tr> </tbody> </table>												Status	Default Value (D7 to D0)	Power On Sequence	22h	S/W Reset	22h	H/W Reset	22h																						
Status	Default Value (D7 to D0)																																									
Power On Sequence	22h																																									
S/W Reset	22h																																									
H/W Reset	22h																																									

12.3.3.12 SPD1 (C1h/C100h): Source pre_drive timing set1

C1H	SPD1(BK1)																							
Inst / Para	R/W	Address		D15-8	D7	D6	D5	D4	D3	D2	D1	D0												
		MIPI	SPI-16																					
SPD1	W	C1h	C100h	X	0	1	1	1	T2D [3:0]															
Description	<p>T2D [3:0]: source pre_drive timing setting.(GND to VDD) Adjust Range : 0 ~ 3 uS 1 step is 0.2uS</p>																							
Restriction	--																							
Register availability	<table border="1"> <thead> <tr> <th>Status</th> <th>Availability</th> </tr> </thead> <tbody> <tr> <td>Normal Mode On, Idle Mode Off, Sleep Out</td> <td>Yes</td> </tr> <tr> <td>Normal Mode On, Idle Mode On, Sleep Out</td> <td>Yes</td> </tr> <tr> <td>Partial Mode On, Idle Mode Off, Sleep Out</td> <td>Yes</td> </tr> <tr> <td>Partial Mode On, Idle Mode On, Sleep Out</td> <td>Yes</td> </tr> <tr> <td>Sleep In</td> <td>Yes</td> </tr> </tbody> </table>												Status	Availability	Normal Mode On, Idle Mode Off, Sleep Out	Yes	Normal Mode On, Idle Mode On, Sleep Out	Yes	Partial Mode On, Idle Mode Off, Sleep Out	Yes	Partial Mode On, Idle Mode On, Sleep Out	Yes	Sleep In	Yes
Status	Availability																							
Normal Mode On, Idle Mode Off, Sleep Out	Yes																							
Normal Mode On, Idle Mode On, Sleep Out	Yes																							
Partial Mode On, Idle Mode Off, Sleep Out	Yes																							
Partial Mode On, Idle Mode On, Sleep Out	Yes																							
Sleep In	Yes																							
Default	<table border="1"> <thead> <tr> <th>Status</th> <th>Default Value (D7 to D0)</th> </tr> </thead> <tbody> <tr> <td>Power On Sequence</td> <td>75h</td> </tr> <tr> <td>S/W Reset</td> <td>75h</td> </tr> <tr> <td>H/W Reset</td> <td>75h</td> </tr> </tbody> </table>												Status	Default Value (D7 to D0)	Power On Sequence	75h	S/W Reset	75h	H/W Reset	75h				
Status	Default Value (D7 to D0)																							
Power On Sequence	75h																							
S/W Reset	75h																							
H/W Reset	75h																							

12.3.3.13 SPD2 (C2h/C200h):Source EQ2 Setting

C1H	SPD2 (BK1)																							
Inst / Para	R/W	Address		D15-8	D7	D6	D5	D4	D3	D2	D1	D0												
		MIPI	SPI-16																					
SPD2	W	C2h	C200h	X	0	1	1	1	T3D [3:0]															
Description	<p>T3D [3:0]: source pre_drive timing setting (VDD to 2*VDD level) Adjust Range : 0 ~ 6 uS 1 step is 0.4 uS</p>																							
Restriction	--																							
Register availability	<table border="1"> <thead> <tr> <th>Status</th> <th>Availability</th> </tr> </thead> <tbody> <tr> <td>Normal Mode On, Idle Mode Off, Sleep Out</td> <td>Yes</td> </tr> <tr> <td>Normal Mode On, Idle Mode On, Sleep Out</td> <td>Yes</td> </tr> <tr> <td>Partial Mode On, Idle Mode Off, Sleep Out</td> <td>Yes</td> </tr> <tr> <td>Partial Mode On, Idle Mode On, Sleep Out</td> <td>Yes</td> </tr> <tr> <td>Sleep In</td> <td>Yes</td> </tr> </tbody> </table>												Status	Availability	Normal Mode On, Idle Mode Off, Sleep Out	Yes	Normal Mode On, Idle Mode On, Sleep Out	Yes	Partial Mode On, Idle Mode Off, Sleep Out	Yes	Partial Mode On, Idle Mode On, Sleep Out	Yes	Sleep In	Yes
Status	Availability																							
Normal Mode On, Idle Mode Off, Sleep Out	Yes																							
Normal Mode On, Idle Mode On, Sleep Out	Yes																							
Partial Mode On, Idle Mode Off, Sleep Out	Yes																							
Partial Mode On, Idle Mode On, Sleep Out	Yes																							
Sleep In	Yes																							
Default	<table border="1"> <thead> <tr> <th>Status</th> <th>Default Value (D7 to D0)</th> </tr> </thead> <tbody> <tr> <td>Power On Sequence</td> <td>75h</td> </tr> <tr> <td>S/W Reset</td> <td>75h</td> </tr> <tr> <td>H/W Reset</td> <td>75h</td> </tr> </tbody> </table>												Status	Default Value (D7 to D0)	Power On Sequence	75h	S/W Reset	75h	H/W Reset	75h				
Status	Default Value (D7 to D0)																							
Power On Sequence	75h																							
S/W Reset	75h																							
H/W Reset	75h																							

12.3.3.14 MIPISET1 (D0h/D000h):MIPI Setting 1

D0H	MIPISET1 (BK1)																							
Inst / Para	R/W	Address		D15-8	D7	D6	D5	D4	D3	D2	D1	D0												
		MIPI	SPI-16																					
MIPISET1	W	D0h	D000h	X	1	0	0	0	EOT_EN	0	ERR_SEL[1:0]													
Description	<p>EOT_EN: protocol selection error reporting enable EOT_EN="0",disable eotp report error. EOT_EN="1",enable eotp report error.</p> <p>ERR_SEL[1:0]: ERR pin output signal setting.</p> <table border="1"> <thead> <tr> <th>ERR_SEL[1:0]</th> <th>output</th> </tr> </thead> <tbody> <tr> <td>00H</td> <td>Disable</td> </tr> <tr> <td>01H</td> <td>CRC error only</td> </tr> <tr> <td>02H</td> <td>ECC error only</td> </tr> <tr> <td>03H</td> <td>CRC+ECC error</td> </tr> </tbody> </table>												ERR_SEL[1:0]	output	00H	Disable	01H	CRC error only	02H	ECC error only	03H	CRC+ECC error		
	ERR_SEL[1:0]	output																						
	00H	Disable																						
	01H	CRC error only																						
	02H	ECC error only																						
03H	CRC+ECC error																							
Restriction	--																							
Register availability	<table border="1"> <thead> <tr> <th>Status</th> <th>Availability</th> </tr> </thead> <tbody> <tr> <td>Normal Mode On, Idle Mode Off, Sleep Out</td> <td>Yes</td> </tr> <tr> <td>Normal Mode On, Idle Mode On, Sleep Out</td> <td>Yes</td> </tr> <tr> <td>Partial Mode On, Idle Mode Off, Sleep Out</td> <td>Yes</td> </tr> <tr> <td>Partial Mode On, Idle Mode On, Sleep Out</td> <td>Yes</td> </tr> <tr> <td>Sleep In</td> <td>Yes</td> </tr> </tbody> </table>												Status	Availability	Normal Mode On, Idle Mode Off, Sleep Out	Yes	Normal Mode On, Idle Mode On, Sleep Out	Yes	Partial Mode On, Idle Mode Off, Sleep Out	Yes	Partial Mode On, Idle Mode On, Sleep Out	Yes	Sleep In	Yes
	Status	Availability																						
	Normal Mode On, Idle Mode Off, Sleep Out	Yes																						
	Normal Mode On, Idle Mode On, Sleep Out	Yes																						
	Partial Mode On, Idle Mode Off, Sleep Out	Yes																						
	Partial Mode On, Idle Mode On, Sleep Out	Yes																						
Sleep In	Yes																							
Default	<table border="1"> <thead> <tr> <th>Status</th> <th>Default Value (D7 to D0)</th> </tr> </thead> <tbody> <tr> <td>Power On Sequence</td> <td>00h</td> </tr> <tr> <td>S/W Reset</td> <td>00h</td> </tr> <tr> <td>H/W Reset</td> <td>00h</td> </tr> </tbody> </table>												Status	Default Value (D7 to D0)	Power On Sequence	00h	S/W Reset	00h	H/W Reset	00h				
	Status	Default Value (D7 to D0)																						
	Power On Sequence	00h																						
	S/W Reset	00h																						
H/W Reset	00h																							

12.3.3.15 MIPISET2 (D1h/D100h):MIPI Setting 2

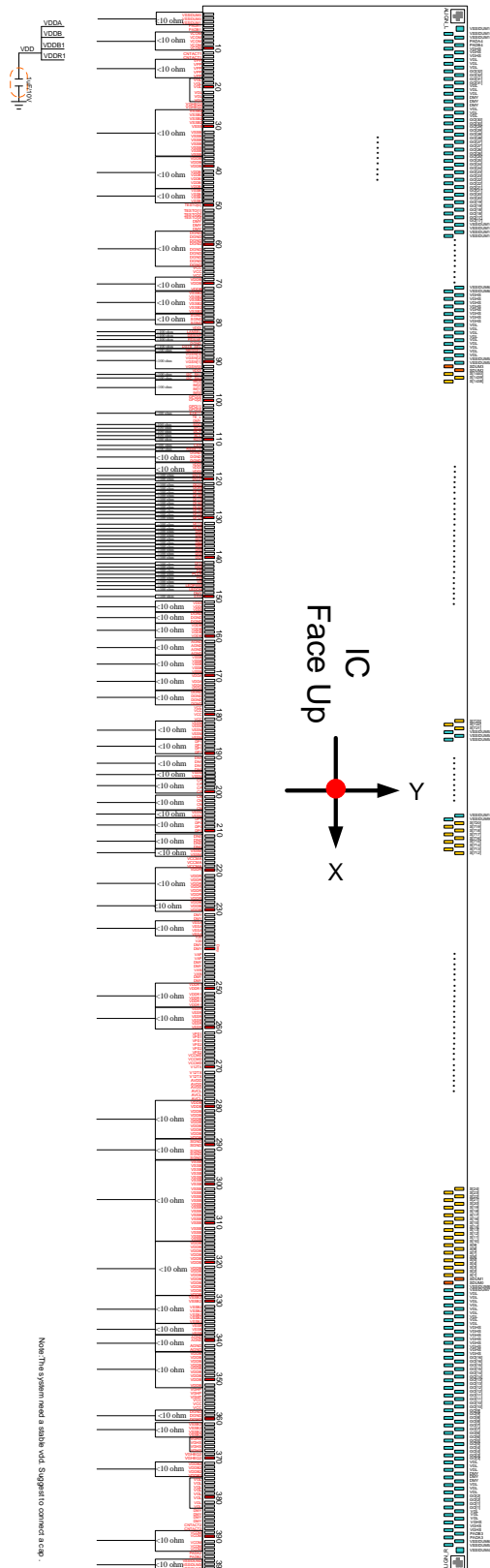
D1H	MIPISET2 (BK1)																																
Inst / Para	R/W	Address		D15-8	D7	D6	D5	D4	D3	D2	D1	D0																					
		MIPI	SPI-16																														
MIPISET2	W	D1h	D100h	X	Mpc_tlp1[3:0]				Mpc_tlp0[3:0]																								
			D101h	X	Mpc_txtimeadj[3:0]				Mpc_tlp2[3:0]																								
			D102h	X	--	--	--	--	Mpc_ttago[3:0]																								
			D103h	X	--	--	--	--	Mpc_ttaget[3:0]																								
Description	<p>A:Host to Display BTA B:T_{TA-GO} :Time to drive LP_00 after Turnaround Request C:T_{TA-SURE}:Time-out before new Tx side start driving D:T_{TA-GET} :Time to drive LP_00 by new Tx</p> <p>a:Mpc_ttago b:overlap c:PHY_ttasure d:Mpc_ttaget e:Mpc_tlp0 f:Mpc_tlp2 g:Mpc_tlp0 h:Mpc_tlp1 i:Mpc_tlp0 j:Mpc_tlp1 k:Mpc_txtimeadj</p> <table border="1"> <thead> <tr> <th>REG</th> <th>Description</th> <th>Value</th> </tr> </thead> <tbody> <tr> <td>Mpc_tlp0</td> <td>Rx LPM state timeout signal</td> <td>step:</td> </tr> <tr> <td>Mpc_tlp1</td> <td>Rx LPM state timeout signal</td> <td>step:</td> </tr> <tr> <td>Mpc_tlp2</td> <td>RX_to_TX LP11</td> <td>step:</td> </tr> <tr> <td>Mpc_txtimeadj</td> <td>LPM transmitting time</td> <td>step:</td> </tr> <tr> <td>Mpc_ttago</td> <td>Tx->Rx BTA timeout signal</td> <td>Range:0~13, if >13→13</td> </tr> <tr> <td>Mpc_ttaget</td> <td>Tx BTA setting timeout signal</td> <td>step:</td> </tr> </tbody> </table>												REG	Description	Value	Mpc_tlp0	Rx LPM state timeout signal	step:	Mpc_tlp1	Rx LPM state timeout signal	step:	Mpc_tlp2	RX_to_TX LP11	step:	Mpc_txtimeadj	LPM transmitting time	step:	Mpc_ttago	Tx->Rx BTA timeout signal	Range:0~13, if >13→13	Mpc_ttaget	Tx BTA setting timeout signal	step:
REG	Description	Value																															
Mpc_tlp0	Rx LPM state timeout signal	step:																															
Mpc_tlp1	Rx LPM state timeout signal	step:																															
Mpc_tlp2	RX_to_TX LP11	step:																															
Mpc_txtimeadj	LPM transmitting time	step:																															
Mpc_ttago	Tx->Rx BTA timeout signal	Range:0~13, if >13→13																															
Mpc_ttaget	Tx BTA setting timeout signal	step:																															
Restriction	--																																
Register availability	<table border="1"> <thead> <tr> <th>Status</th> <th>Availability</th> </tr> </thead> <tbody> <tr> <td>Normal Mode On, Idle Mode Off, Sleep Out</td> <td>Yes</td> </tr> <tr> <td>Normal Mode On, Idle Mode On, Sleep Out</td> <td>Yes</td> </tr> <tr> <td>Partial Mode On, Idle Mode Off, Sleep Out</td> <td>Yes</td> </tr> <tr> <td>Partial Mode On, Idle Mode On, Sleep Out</td> <td>Yes</td> </tr> <tr> <td>Sleep In</td> <td>Yes</td> </tr> </tbody> </table>												Status	Availability	Normal Mode On, Idle Mode Off, Sleep Out	Yes	Normal Mode On, Idle Mode On, Sleep Out	Yes	Partial Mode On, Idle Mode Off, Sleep Out	Yes	Partial Mode On, Idle Mode On, Sleep Out	Yes	Sleep In	Yes									
Status	Availability																																
Normal Mode On, Idle Mode Off, Sleep Out	Yes																																
Normal Mode On, Idle Mode On, Sleep Out	Yes																																
Partial Mode On, Idle Mode Off, Sleep Out	Yes																																
Partial Mode On, Idle Mode On, Sleep Out	Yes																																
Sleep In	Yes																																

Default	<table border="1"><thead><tr><th>Status</th><th>Default Value (D7 to D0)</th></tr></thead><tbody><tr><td>Power On Sequence</td><td>31h/03h/04h/05h</td></tr><tr><td>S/W Reset</td><td>00h/03h/04h/05h</td></tr><tr><td>H/W Reset</td><td>00h/03h/04h/05h</td></tr></tbody></table>	Status	Default Value (D7 to D0)	Power On Sequence	31h/03h/04h/05h	S/W Reset	00h/03h/04h/05h	H/W Reset	00h/03h/04h/05h
	Status	Default Value (D7 to D0)							
	Power On Sequence	31h/03h/04h/05h							
	S/W Reset	00h/03h/04h/05h							
H/W Reset	00h/03h/04h/05h								

12.3.3.17 MIPISET4 (D3h/D300h):MIPI Setting 4

D3H		MIPISET4 (BK1)																						
Inst / Para	R/W	Address		D15-8	D7	D6	D5	D4	D3	D2	D1	D0												
		MIPI	SPI-16																					
MIPISET4	W	D3h	D300h	X	--	--	--	1	--	PHY_CSK[2:0]														
			D301h	X	PHY_dsk1[2:0]			--	PHY_dsk0[2:0]															
Description	<p>PHY_CSK: MIPI Clock Lane Delay Step: 1 step 200ps</p> <p>PHY_dsk1: MIPI Data 1 Lane Delay Step: 1 step 200ps</p> <p>PHY_dsk0: MIPI Data 0 Lane Delay Step: 1 step 200ps</p>																							
Restriction	--																							
Register availability	<table border="1"> <thead> <tr> <th>Status</th> <th>Availability</th> </tr> </thead> <tbody> <tr> <td>Normal Mode On, Idle Mode Off, Sleep Out</td> <td>Yes</td> </tr> <tr> <td>Normal Mode On, Idle Mode On, Sleep Out</td> <td>Yes</td> </tr> <tr> <td>Partial Mode On, Idle Mode Off, Sleep Out</td> <td>Yes</td> </tr> <tr> <td>Partial Mode On, Idle Mode On, Sleep Out</td> <td>Yes</td> </tr> <tr> <td>Sleep In</td> <td>Yes</td> </tr> </tbody> </table>												Status	Availability	Normal Mode On, Idle Mode Off, Sleep Out	Yes	Normal Mode On, Idle Mode On, Sleep Out	Yes	Partial Mode On, Idle Mode Off, Sleep Out	Yes	Partial Mode On, Idle Mode On, Sleep Out	Yes	Sleep In	Yes
Status	Availability																							
Normal Mode On, Idle Mode Off, Sleep Out	Yes																							
Normal Mode On, Idle Mode On, Sleep Out	Yes																							
Partial Mode On, Idle Mode Off, Sleep Out	Yes																							
Partial Mode On, Idle Mode On, Sleep Out	Yes																							
Sleep In	Yes																							
Default	<table border="1"> <thead> <tr> <th>Status</th> <th>Default Value (D7 to D0)</th> </tr> </thead> <tbody> <tr> <td>Power On Sequence</td> <td>00h/00h</td> </tr> <tr> <td>S/W Reset</td> <td>00h/00h</td> </tr> <tr> <td>H/W Reset</td> <td>00h/00h</td> </tr> </tbody> </table>												Status	Default Value (D7 to D0)	Power On Sequence	00h/00h	S/W Reset	00h/00h	H/W Reset	00h/00h				
Status	Default Value (D7 to D0)																							
Power On Sequence	00h/00h																							
S/W Reset	00h/00h																							
H/W Reset	00h/00h																							

13 APPLICATION CIRCUIT



13.1 Voltage Generation

The following is the ST7701SN analog voltage pattern diagram:

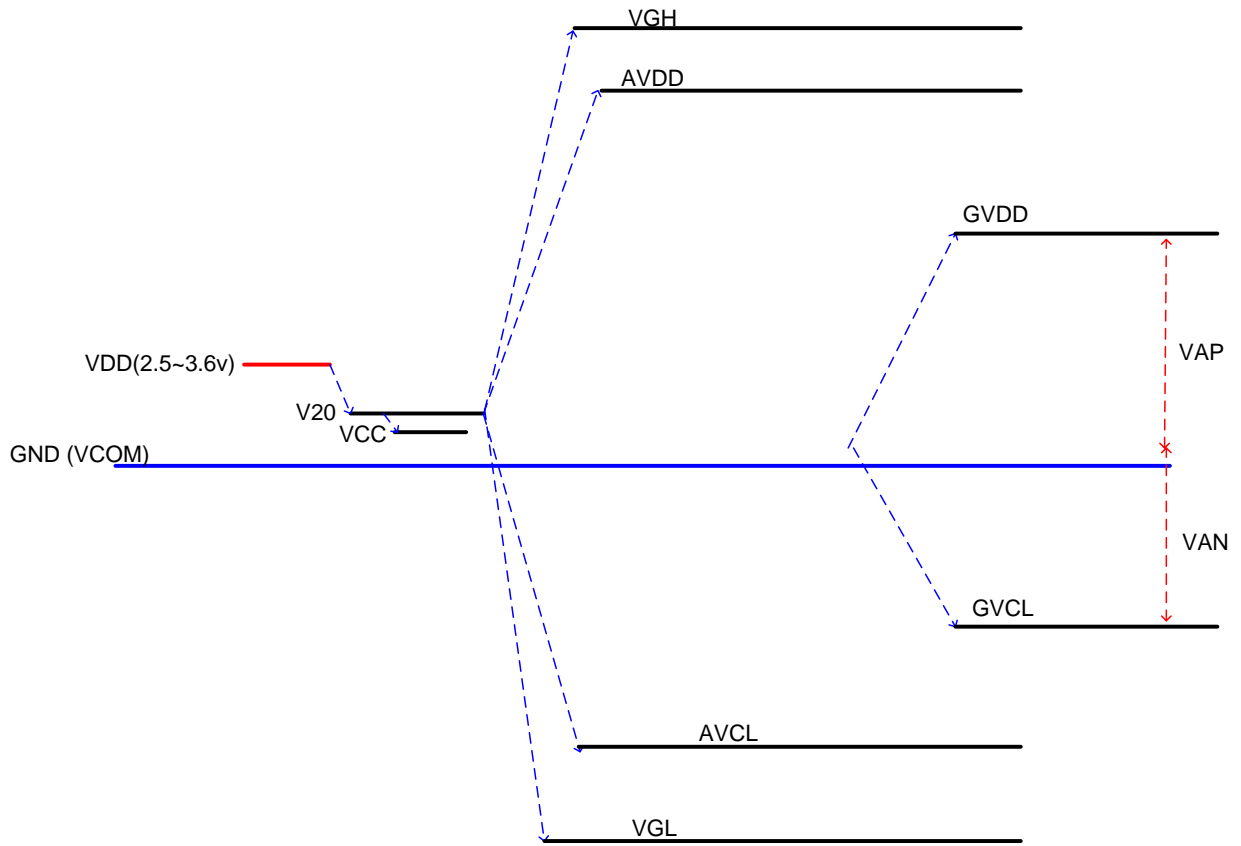


Figure 90 Power Booster Level

13.2 Relationship about source voltage

The relationship about source voltage is shown as below:

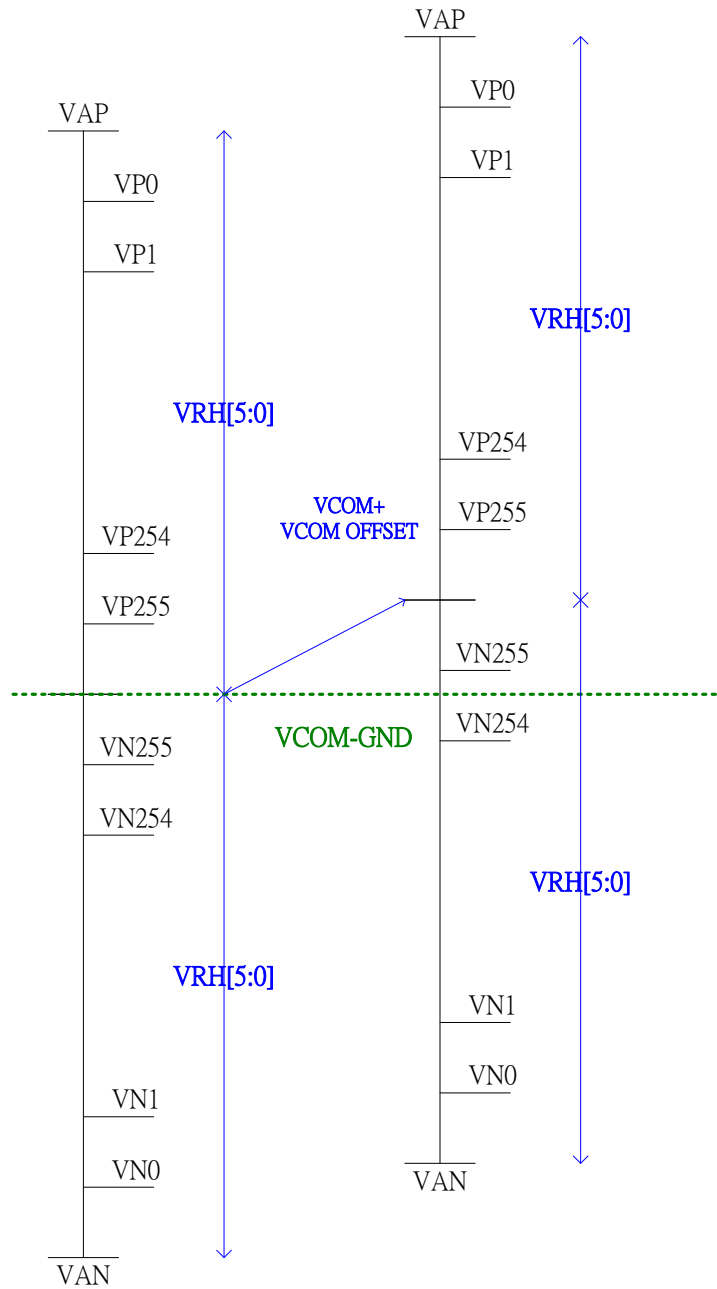


Figure 91 Relationship about source voltage

14 REVISION HISTORY

Version	Date	Description
VN1.0	2021/11	Release Version